



US00D986364S

(12) **United States Design Patent** (10) **Patent No.:** **US D986,364 S**
Serrano (45) **Date of Patent:** **** May 16, 2023**

(54) **GOLF CLUB HEAD**

(71) Applicant: **KARSTEN MANUFACTURING CORPORATION**, Phoenix, AZ (US)

(72) Inventor: **Anthony D. Serrano**, Anthem, AZ (US)

(73) Assignee: **Karsten Manufacturing Corporation**, Phoenix, AZ (US)

(**) Term: **15 Years**

(21) Appl. No.: **29/794,870**

(22) Filed: **Jun. 15, 2021**

(51) **LOC (14) Cl.** **21-02**

(52) **U.S. Cl.**
USPC **D21/736**

(58) **Field of Classification Search**
USPC D21/759, 789, 752, 733, 736, 708, 734,
D21/735, 737, 738, 739, 740, 742, 743,
D21/744, 745

See application file for complete search history.

(56) **References Cited**

U.S. PATENT DOCUMENTS

D316,129 S	4/1991	Bryson
D375,131 S	10/1996	Williams
5,685,784 A	11/1997	Butler
D399,899 S	10/1998	Sizemore, Jr.
D399,900 S	10/1998	Hogan
D406,610 S	3/1999	Mitchell
D484,935 S	1/2004	Tang
D488,200 S	4/2004	Olsavsky
D488,526 S	4/2004	Souza
D496,417 S	9/2004	Tang
D500,109 S	12/2004	Solheim
D500,110 S	12/2004	Solheim
6,837,801 B1	1/2005	Souza
6,893,355 B2	5/2005	Souza

D507,317 S	7/2005	Garner
D507,612 S	7/2005	Souza
D508,273 S	8/2005	Garner
6,926,615 B1	8/2005	Souza
6,960,140 B2	11/2005	Solheim
6,966,845 B2	11/2005	Solheim
D520,582 S *	5/2006	Zelnicsek D21/736
D520,584 S	5/2006	Karlsen
D521,582 S	5/2006	Souza
7,052,411 B2	5/2006	Solheim
D522,598 S	6/2006	Solheim
7,086,957 B2	8/2006	Solheim
D527,777 S	9/2006	Solheim
D529,108 S	9/2006	Stites

(Continued)

FOREIGN PATENT DOCUMENTS

KR 3020190014305 * 3/2019

Primary Examiner — Khawaja Anwar

Assistant Examiner — Julice Seung Eun Oum

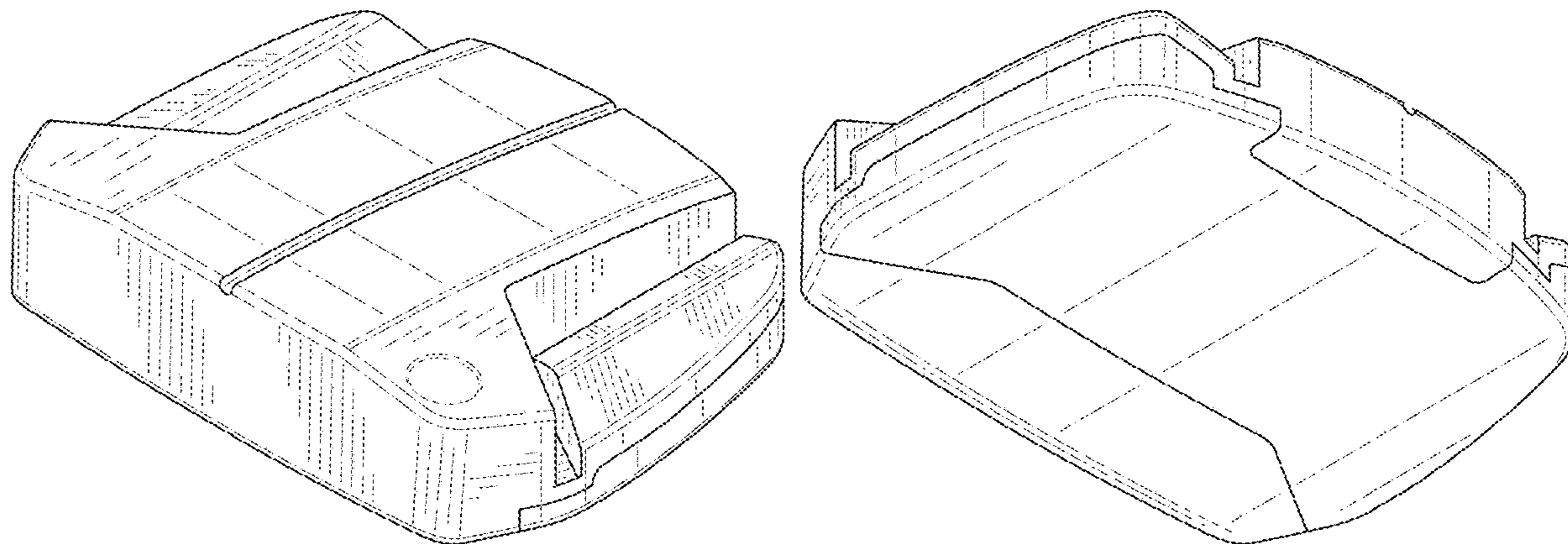
(57) **CLAIM**

I claim: The ornamental design for a golf club head, as shown and described.

DESCRIPTION

FIG. 1 is a top perspective view of a golf club head; FIG. 2 is a bottom perspective view of the golf club head of FIG. 1; FIG. 3 is a top view of the golf club head of FIG. 1; FIG. 4 is a bottom view of the golf club head of FIG. 1; FIG. 5 is a front view of the golf club head of FIG. 1; FIG. 6 is a rear view of the golf club head of FIG. 1; FIG. 7 is a heel side view of the golf club head of FIG. 1; and, FIG. 8 is a toe side view of the golf club head of FIG. 1. The broken lines shown on the drawing figures form no part of the claimed design.

1 Claim, 5 Drawing Sheets



(56)

References Cited

U.S. PATENT DOCUMENTS

D532,847 S	11/2006	Rollinson	D664,617 S	7/2012	Serrano	
D533,243 S	12/2006	Fife	D715,388 S	10/2014	Serrano	
D533,609 S	12/2006	Moore	D774,609 S	12/2016	Serrano	
D542,873 S	5/2007	Oldknow	D792,929 S	7/2017	Serrano	
7,235,021 B2	6/2007	Solheim	D793,502 S *	8/2017	Cardani D21/743
D548,295 S	8/2007	Jertson	D796,597 S	9/2017	Serrano	
7,255,650 B2	8/2007	Bryant	D796,598 S	9/2017	Serrano	
D552,197 S	10/2007	Wells	D796,599 S	9/2017	Serrano	
D561,854 S	2/2008	Morris	D796,600 S	9/2017	Serrano	
D564,606 S	3/2008	Oldknow	D796,601 S	9/2017	Serrano	
D565,137 S	3/2008	Oldknow	D796,602 S	9/2017	Serrano	
D569,460 S	5/2008	Walker	D796,603 S	9/2017	Serrano	
D569,461 S	5/2008	Morris	D796,604 S	9/2017	Serrano	
D569,462 S	5/2008	Rollinson	D796,605 S	9/2017	Serrano	
D571,879 S	5/2008	Jones et al.	D797,220 S	9/2017	Serrano	
7,374,497 B2	5/2008	Brown	D797,221 S	9/2017	Serrano	
D574,907 S	8/2008	Jones et al.	D797,222 S	9/2017	Serrano	
D581,473 S	11/2008	Thomas	D797,872 S	9/2017	Jertson	
D583,003 S	12/2008	Solheim	D797,873 S	9/2017	Serrano	
D587,325 S	2/2009	Solheim	D807,453 S	1/2018	Serrano	
D591,806 S	5/2009	Cameron	D807,454 S	1/2018	Serrano	
D594,073 S	6/2009	Kadoya	D815,222 S	4/2018	Serrano	
D595,372 S	6/2009	Rollinson	D816,175 S	4/2018	Solheim	
D600,760 S	9/2009	Serrano	D825,698 S	8/2018	Serrano	
D600,761 S	9/2009	Solheim	D827,743 S	9/2018	Chen	
D600,762 S	9/2009	Serrano	D832,379 S	10/2018	Jertson	
D607,950 S	1/2010	Souza	D832,380 S	10/2018	Wang	
D621,458 S	8/2010	Serrano	D832,381 S	10/2018	Serrano	
D621,460 S	8/2010	Serrano	D832,948 S	11/2018	Stokke	
D621,461 S	8/2010	Serrano	D840,482 S	2/2019	Serrano	
D621,462 S	8/2010	Serrano	D844,722 S	4/2019	Wang	
D621,891 S	8/2010	Serrano	D844,724 S	4/2019	Wang	
7,803,066 B2	9/2010	Solheim	D847,926 S	4/2019	Wang	
D638,891 S	5/2011	Nicolette	D847,923 S	5/2019	Wang	
D640,341 S	6/2011	Foster	D847,924 S	5/2019	Wang	
D643,080 S	8/2011	Serrano	D861,092 S *	9/2019	Glorioso D21/743
D643,485 S	8/2011	Nicolette et al.	D877,829 S *	3/2020	Cameron D21/736
D643,486 S	8/2011	Serrano	D877,830 S *	3/2020	Cameron D21/736
D643,487 S	8/2011	Serrano	D898,848 S *	10/2020	Clarke D21/743
8,100,779 B2	1/2012	Solheim	D928,259 S *	8/2021	Andrews D21/736
D653,718 S	2/2012	Stokke	D936,769 S *	11/2021	Cameron D21/744
8,109,838 B2	2/2012	Solheim	2006/0094533 A1	5/2006	Warren	
			2007/0191135 A1	8/2007	Nilsson	
			2010/0227704 A1	9/2010	Souza	

* cited by examiner

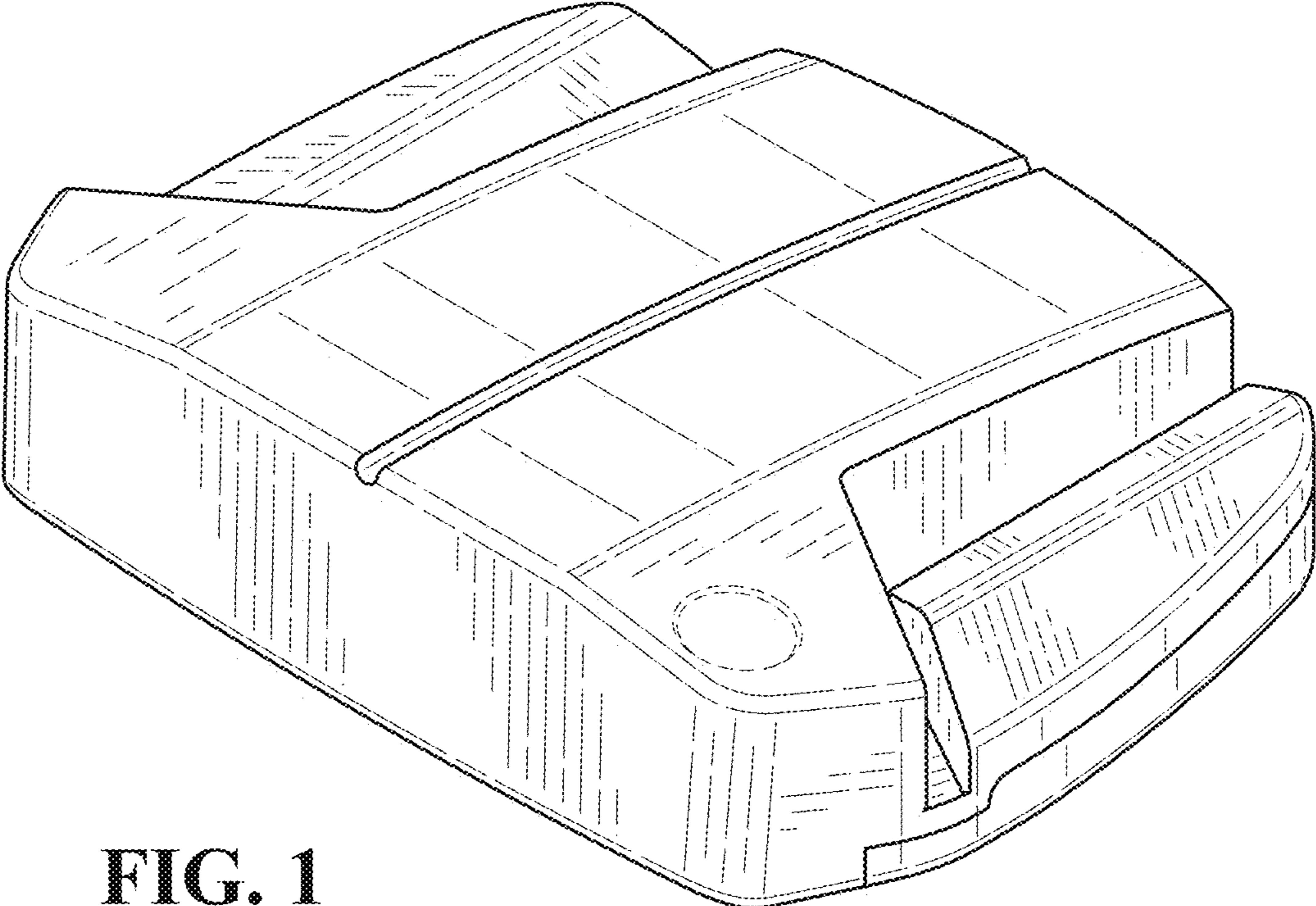


FIG. 1

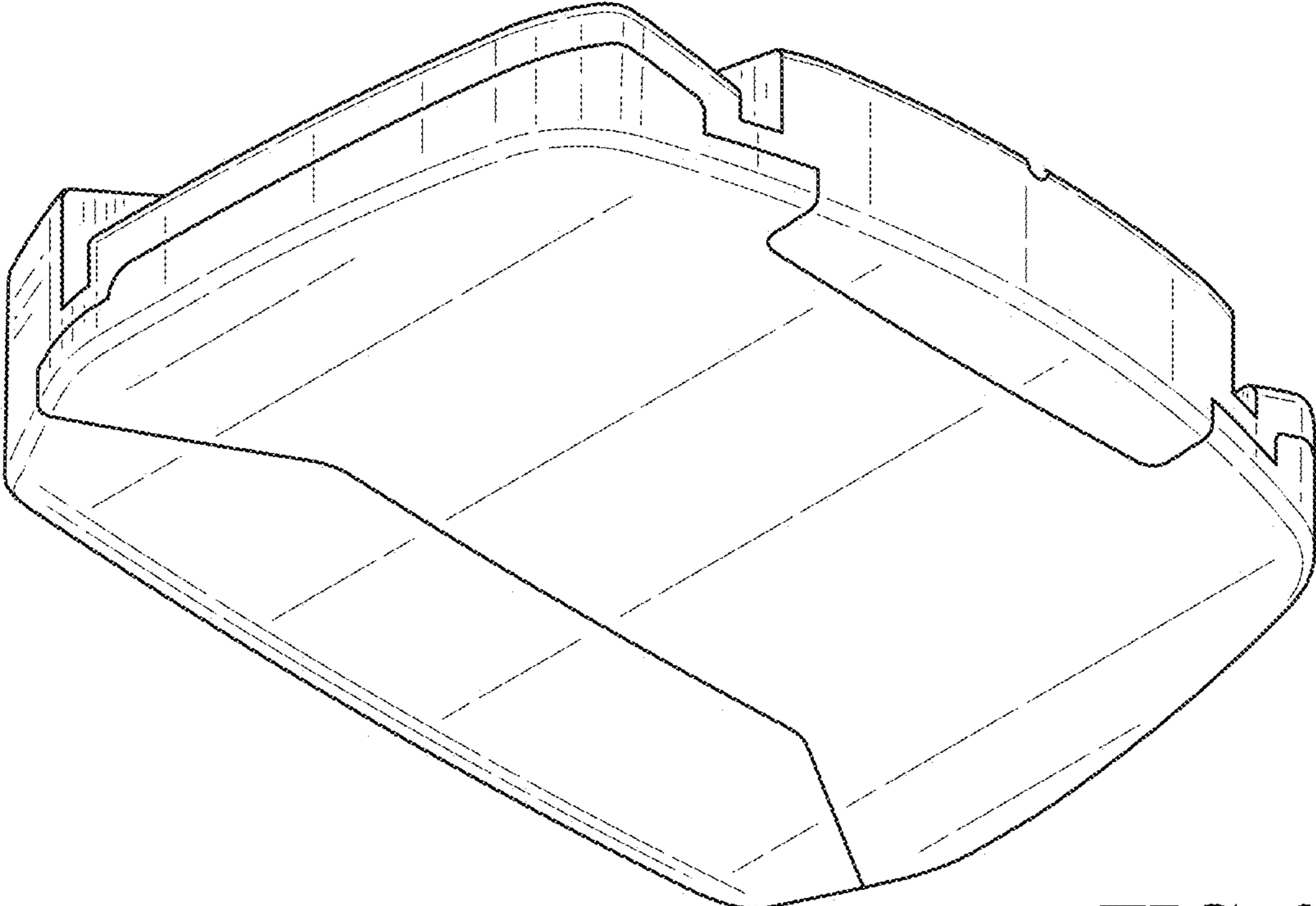


FIG. 2

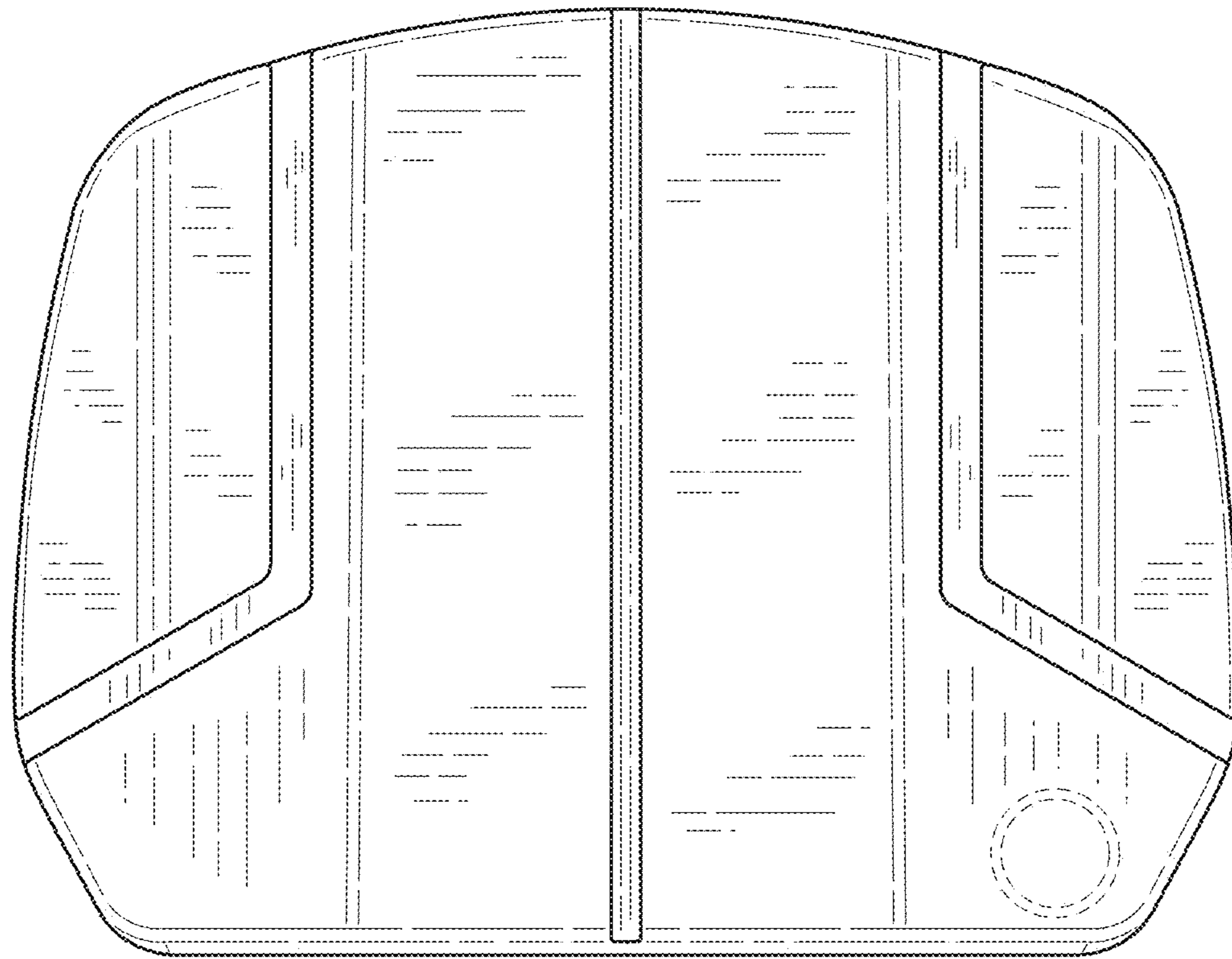


FIG. 3

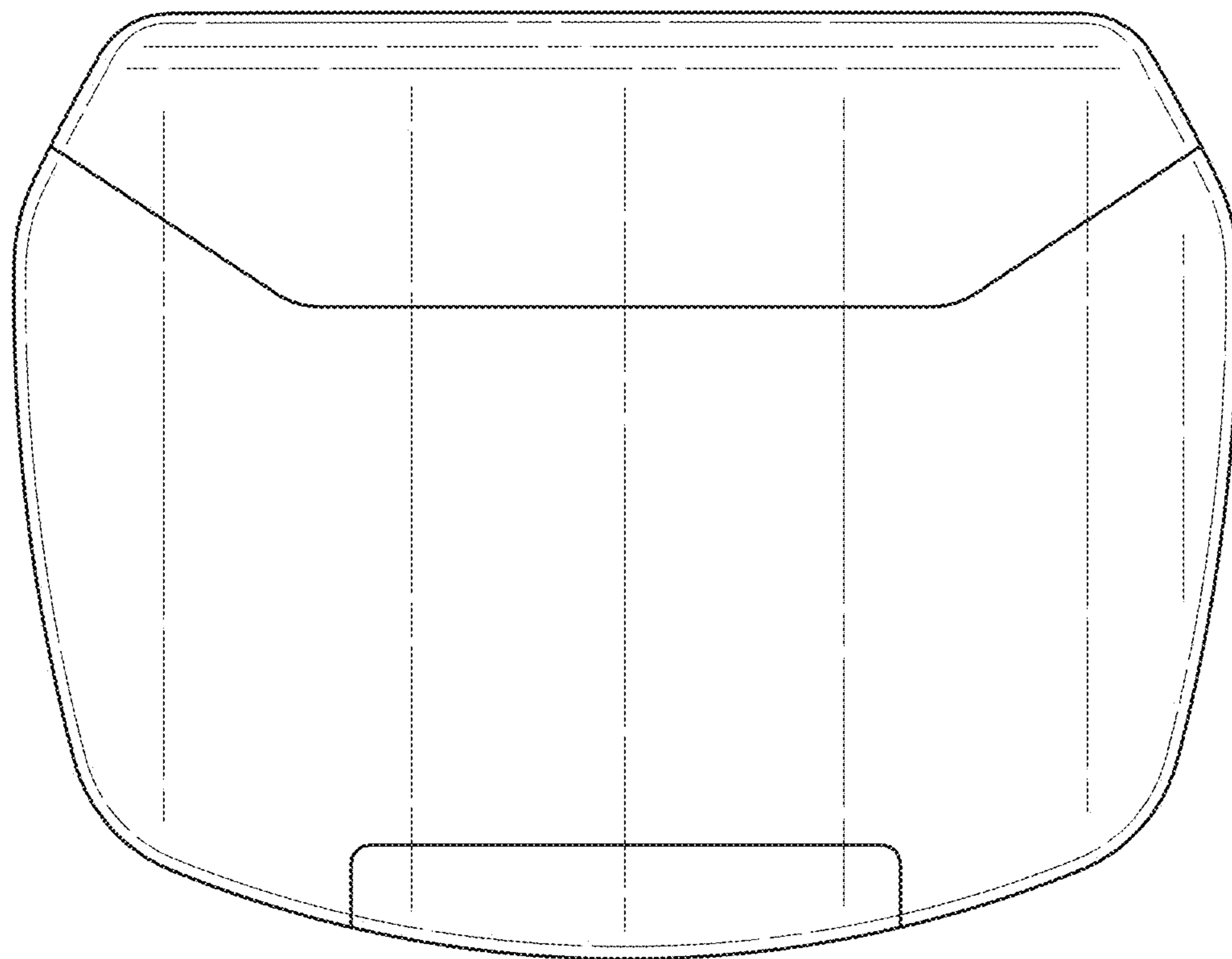


FIG. 4

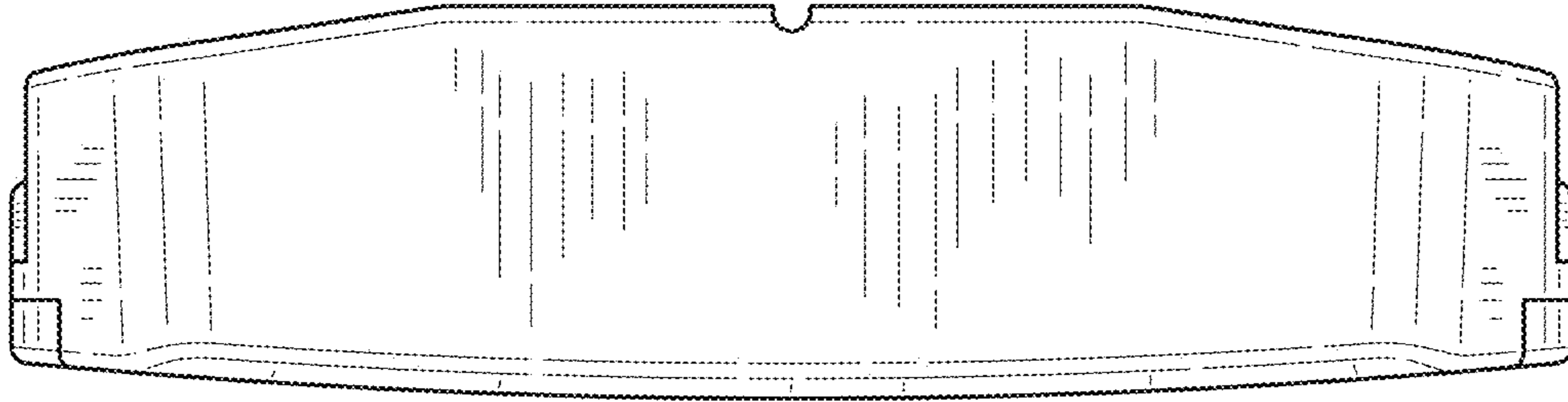


FIG. 5

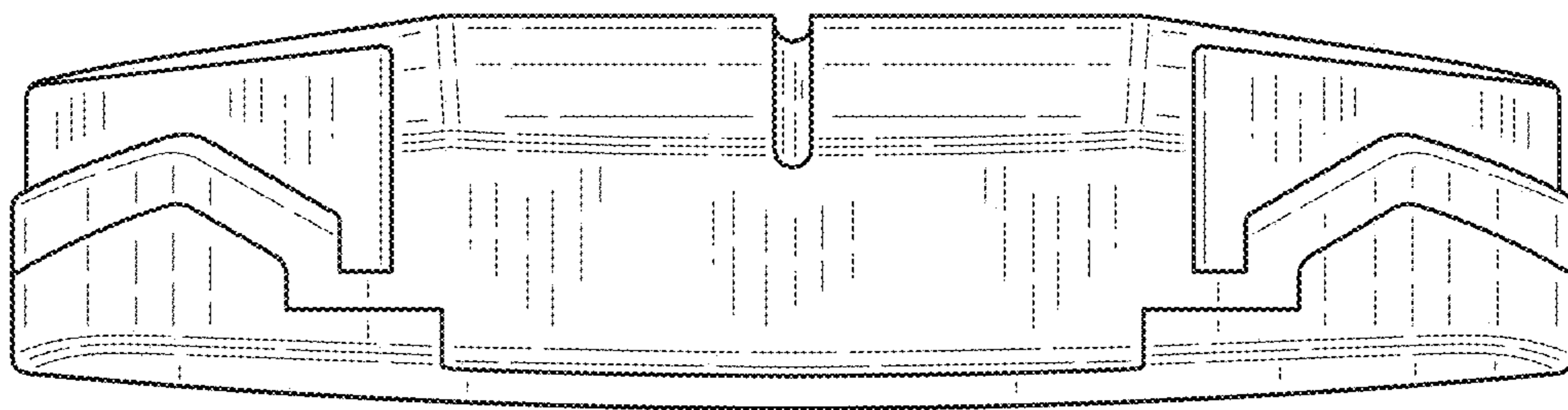


FIG. 6

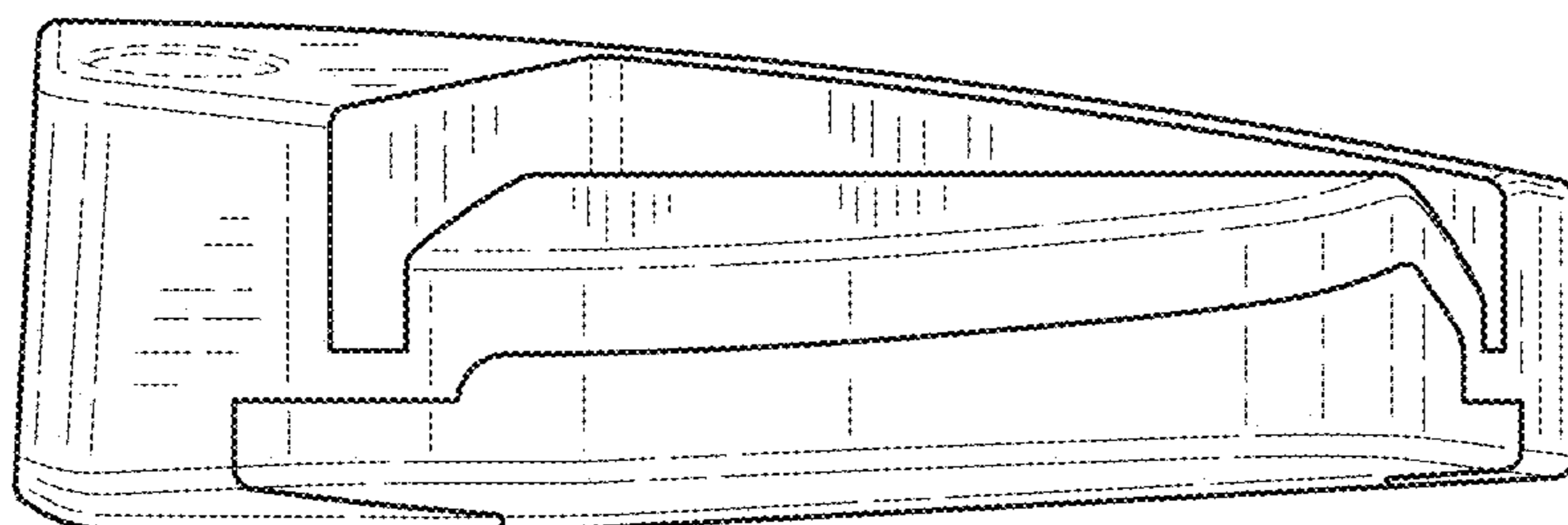


FIG. 7

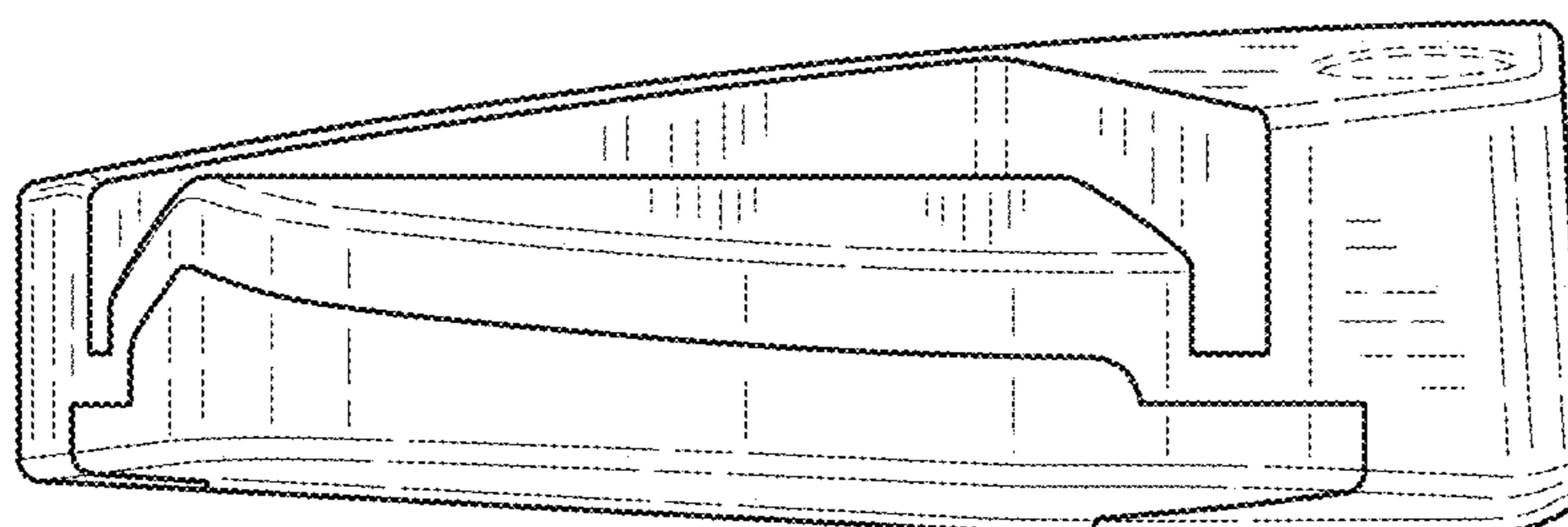


FIG. 8