



US00D986363S

(12) **United States Design Patent** (10) **Patent No.:** **US D986,363 S**
Chang (45) **Date of Patent:** **** *May 16, 2023**

(54) **GOLF CLUB HEAD**
(71) Applicant: **SUMITOMO RUBBER INDUSTRIES, LTD.**, Kobe (JP)
(72) Inventor: **Isaac Chang**, Fullerton, CA (US)
(73) Assignee: **SUMITOMO RUBBER INDUSTRIES, LTD.**, Kobe (JP)
(*) Notice: This patent is subject to a terminal disclaimer.
(**) Term: **15 Years**
(21) Appl. No.: **29/783,067**
(22) Filed: **May 11, 2021**
(51) **LOC (14) Cl.** **21-02**
(52) **U.S. Cl.**
USPC **D21/747**
(58) **Field of Classification Search**
USPC D21/747-751, 759
CPC A63B 53/00; A63B 53/02; A63B 53/04;
A63B 53/047; A63B 53/0475; A63B
2053/0479; A63B 2053/0483; A63B
2053/0445; A63B 60/00; A63B 60/46
See application file for complete search history.

D753,249 S * 4/2016 Song D21/749
D753,250 S * 4/2016 Song D21/749
D827,076 S * 8/2018 Tang D21/759
D851,718 S * 6/2019 Stokke D21/747
D854,639 S * 7/2019 Chun D21/747
D859,548 S * 9/2019 Oyler D21/747
D877,834 S * 3/2020 Song D21/759
D900,261 S * 10/2020 Chun D21/747
D914,815 S * 3/2021 Clarke D21/747
D926,273 S * 7/2021 Agrella D21/747
D926,274 S * 7/2021 Agrella D21/747
D926,899 S * 8/2021 Clarke D21/747

OTHER PUBLICATIONS

Golf irons google search; google.com; Oct. 15, 2022.*
* cited by examiner

Primary Examiner — Mitchell I. Siegel
(74) *Attorney, Agent, or Firm* — Oliff PLC

(57) **CLAIM**

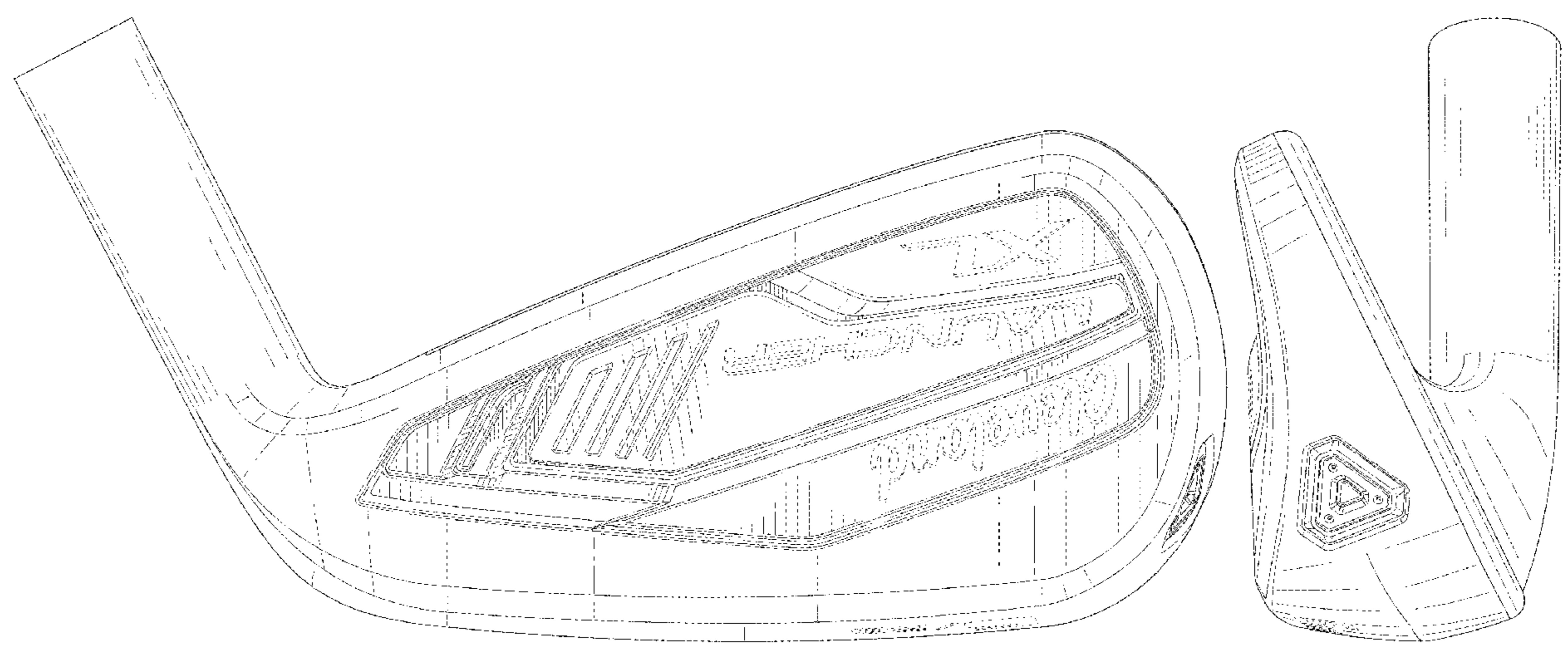
The ornamental design for a golf club head, as shown and described.

DESCRIPTION

FIG. 1 is a rear, heel-side, top perspective view of a golf club head, showing the new design;
FIG. 2 is a front elevational view thereof;
FIG. 3 is a rear elevational view thereof;
FIG. 4 is a toe-side elevational view thereof;
FIG. 5 is a heel-side elevational view thereof;
FIG. 6 is a top plan view thereof;
FIG. 7 is a bottom plan view thereof;
FIG. 8 is a front, heel-side, bottom perspective view thereof;
FIG. 9 is a front, toe-side, bottom perspective view thereof;
and,
FIG. 10 is a front, heel-side, top perspective view thereof.
The broken lines depict parts of the golf club head that form no part of the claimed design.

1 Claim, 9 Drawing Sheets

(56) **References Cited**
U.S. PATENT DOCUMENTS
D323,689 S * 2/1992 Hardman D21/748
D570,942 S * 6/2008 Chen D21/759
D571,425 S * 6/2008 Chen D21/759
D571,426 S * 6/2008 Chen D21/759
D571,427 S * 6/2008 Schweigert D21/759
D574,915 S * 8/2008 Jones D21/759
D577,779 S * 9/2008 Roach D21/749
D702,783 S * 4/2014 Wolfe D21/747
D710,471 S * 8/2014 Kim D21/759
D710,472 S * 8/2014 Kim D21/759
D711,994 S * 8/2014 Kim D21/759



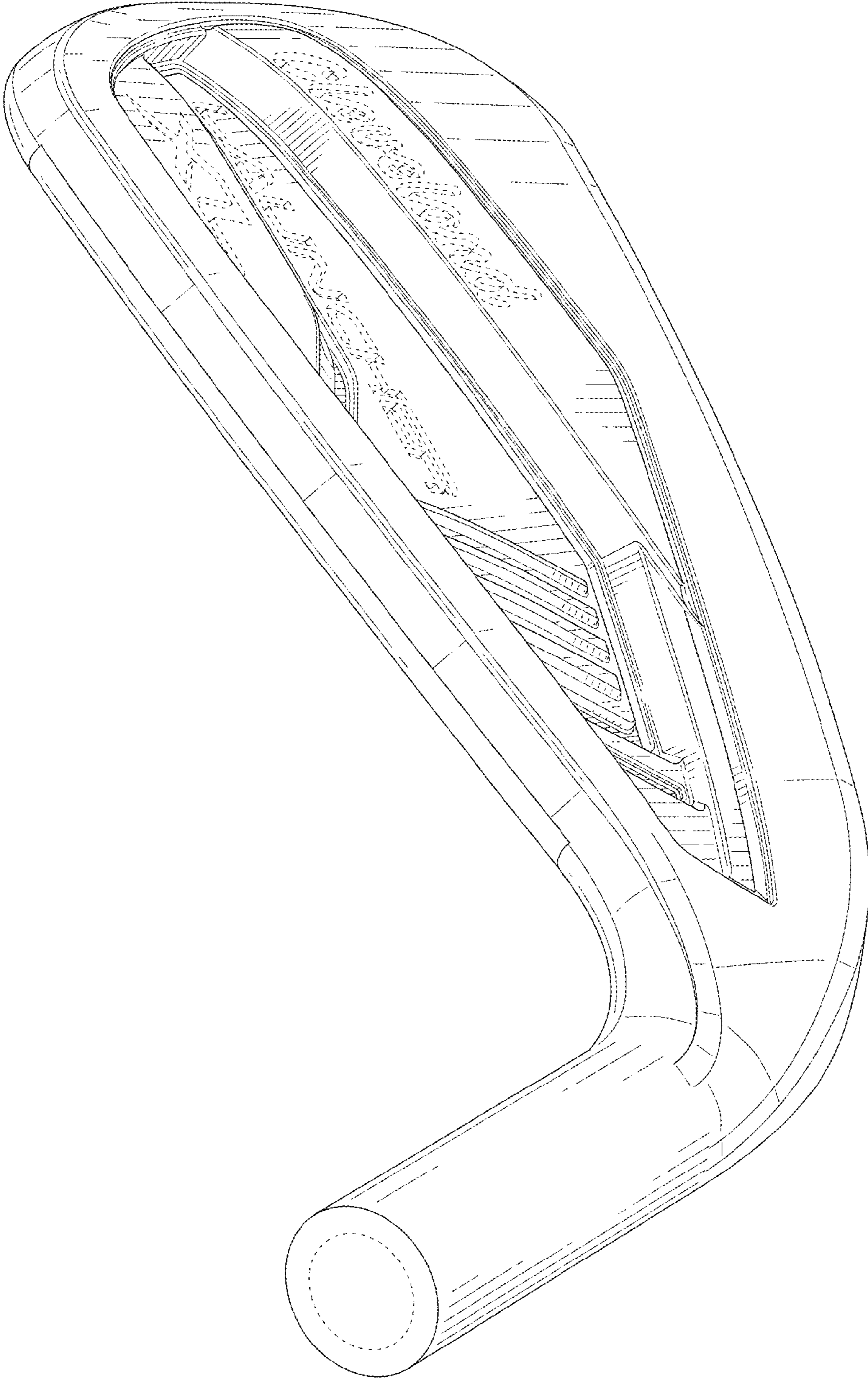


FIG. 1

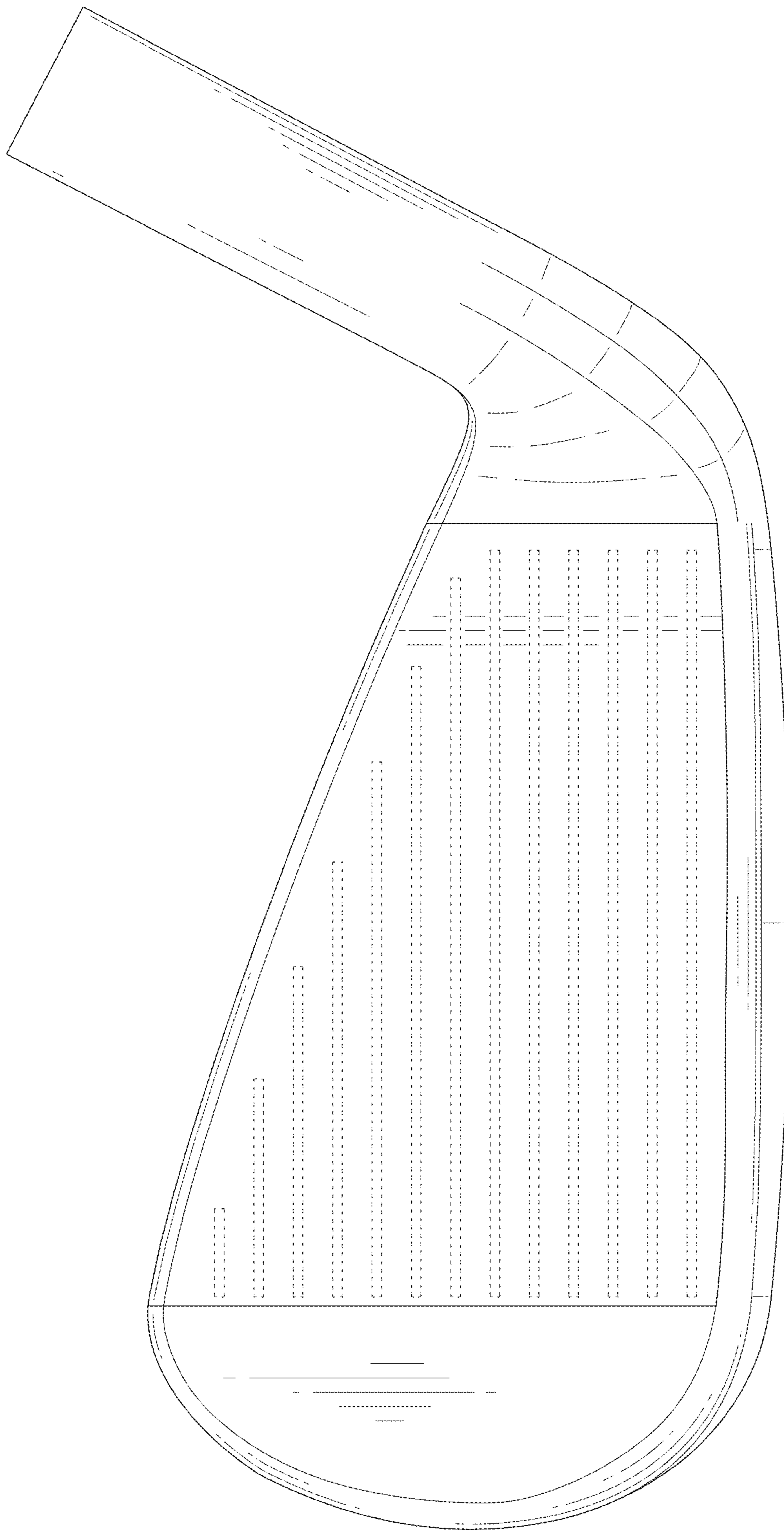


FIG. 2

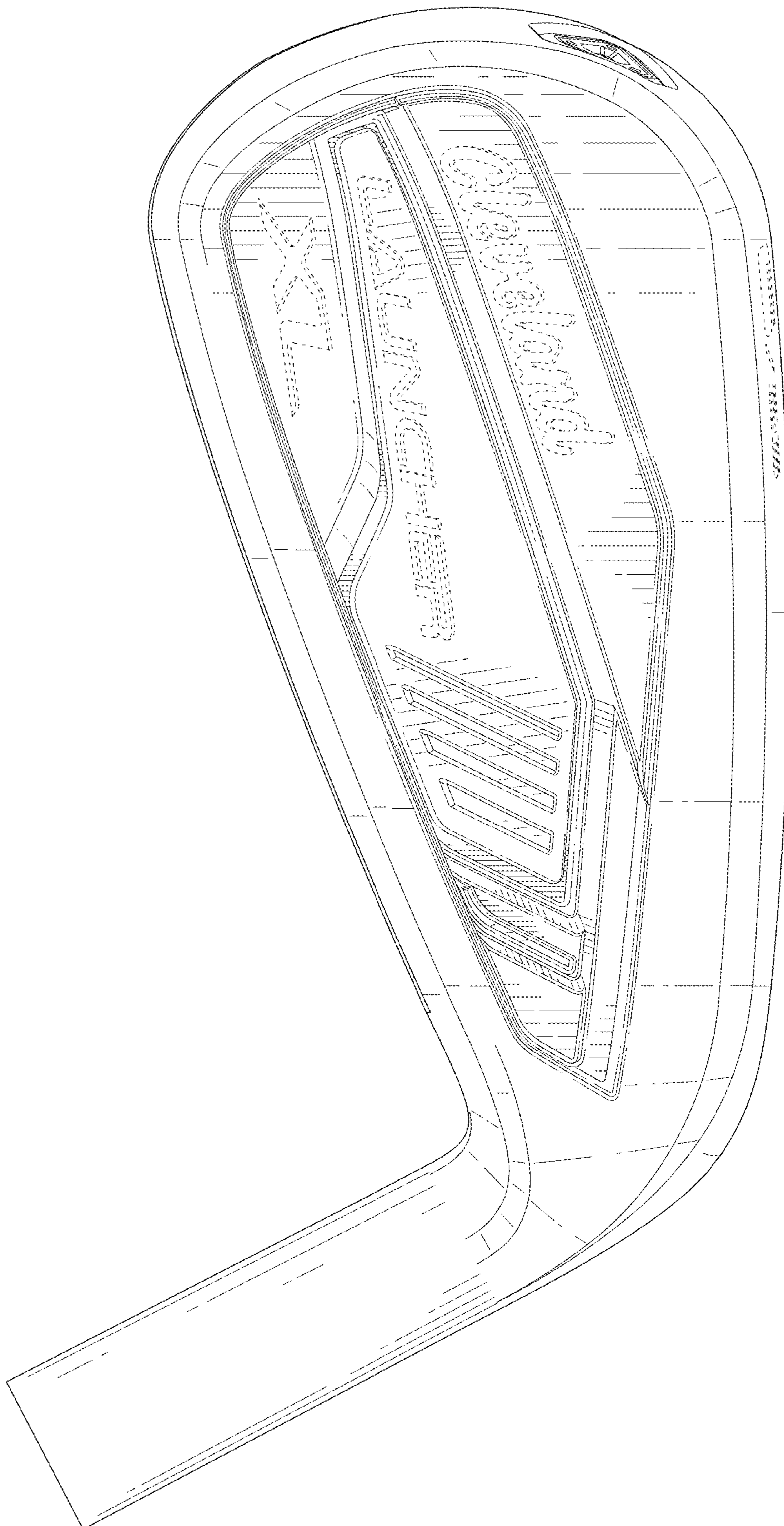


FIG. 3

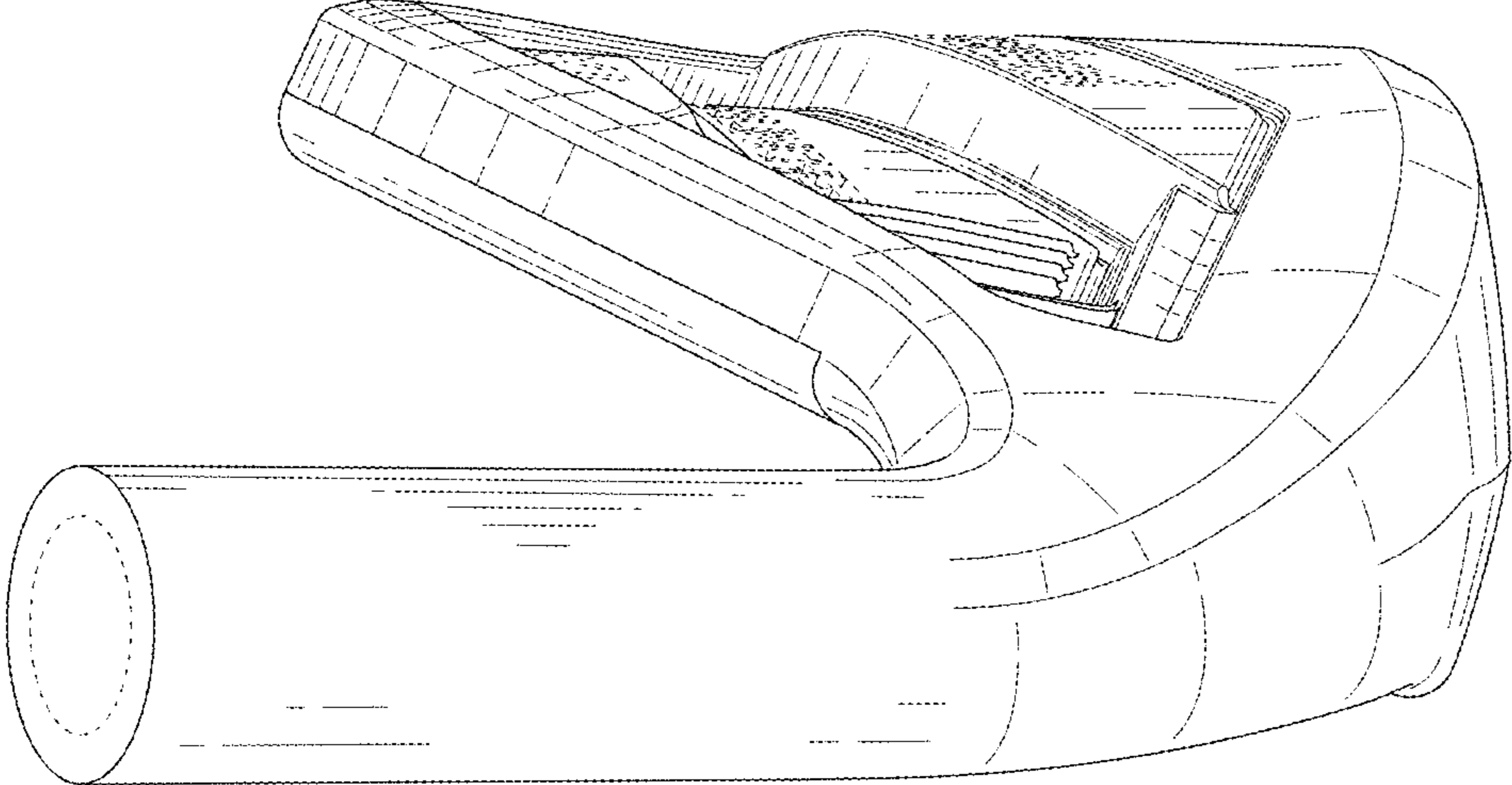


FIG. 5

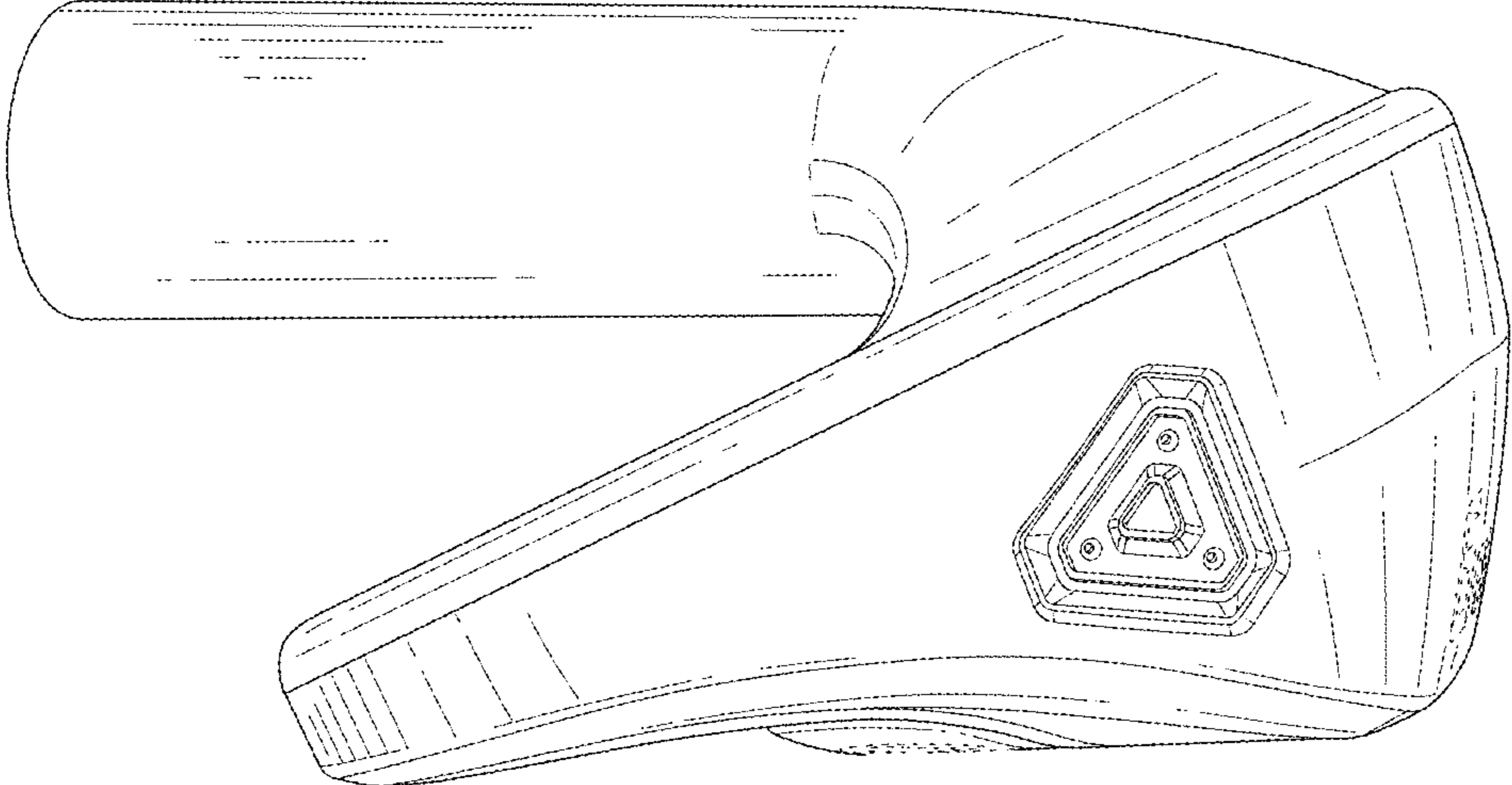


FIG. 4

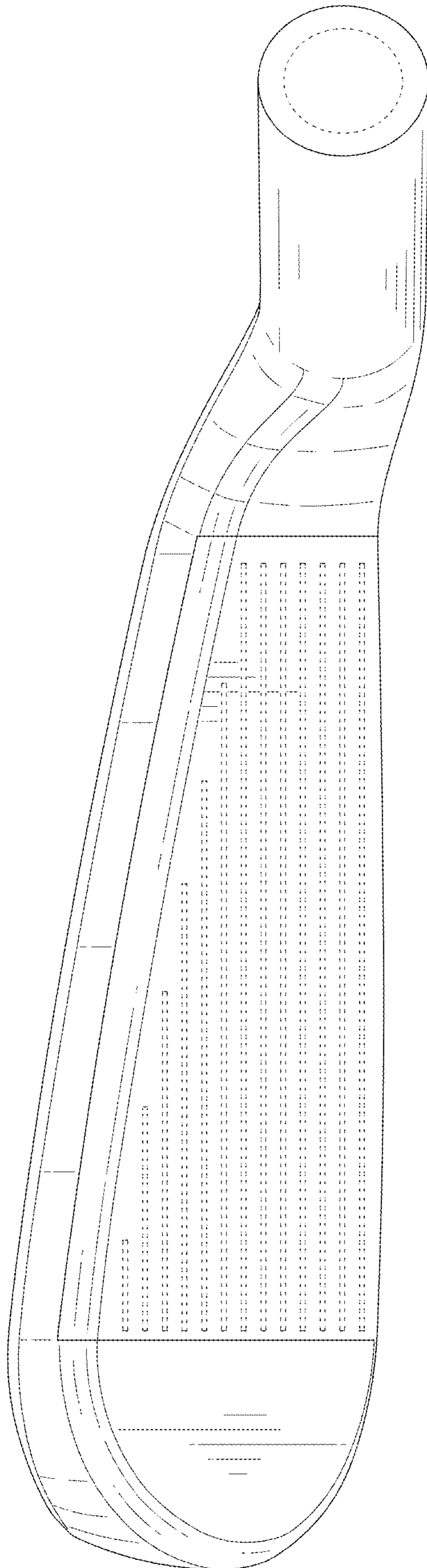


FIG. 6

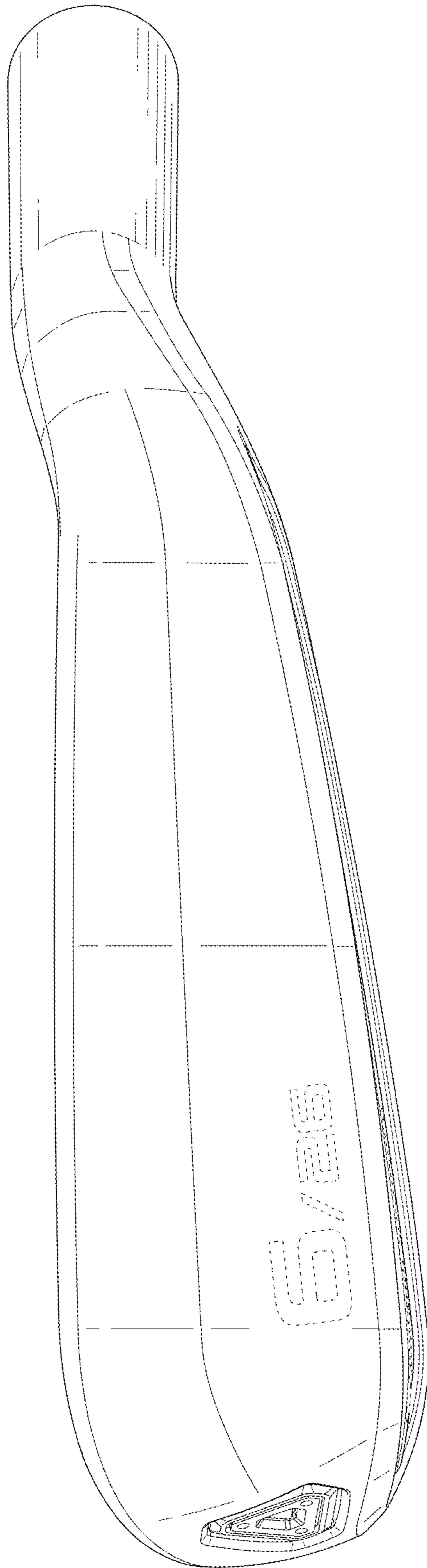


FIG. 7

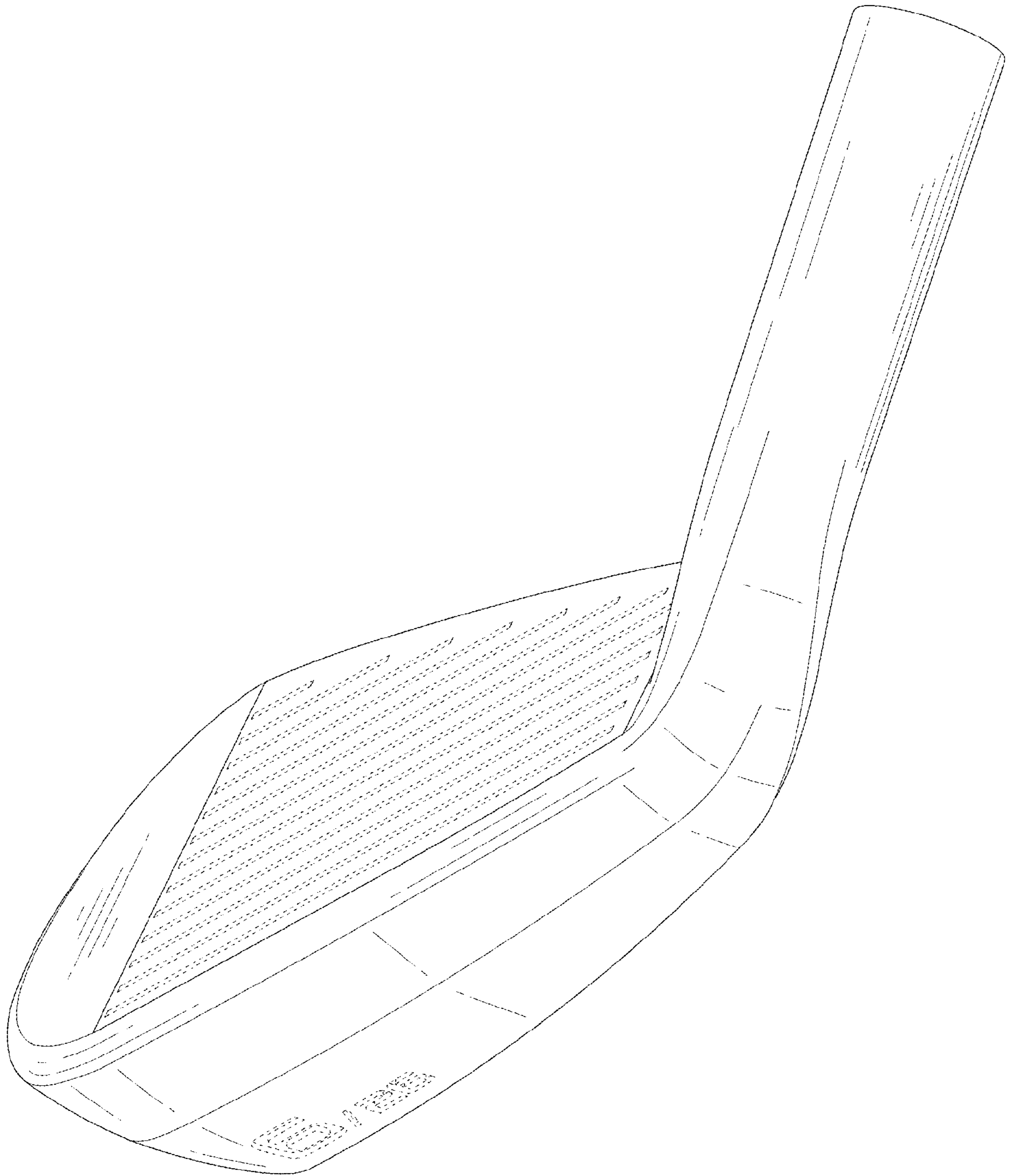


FIG. 8

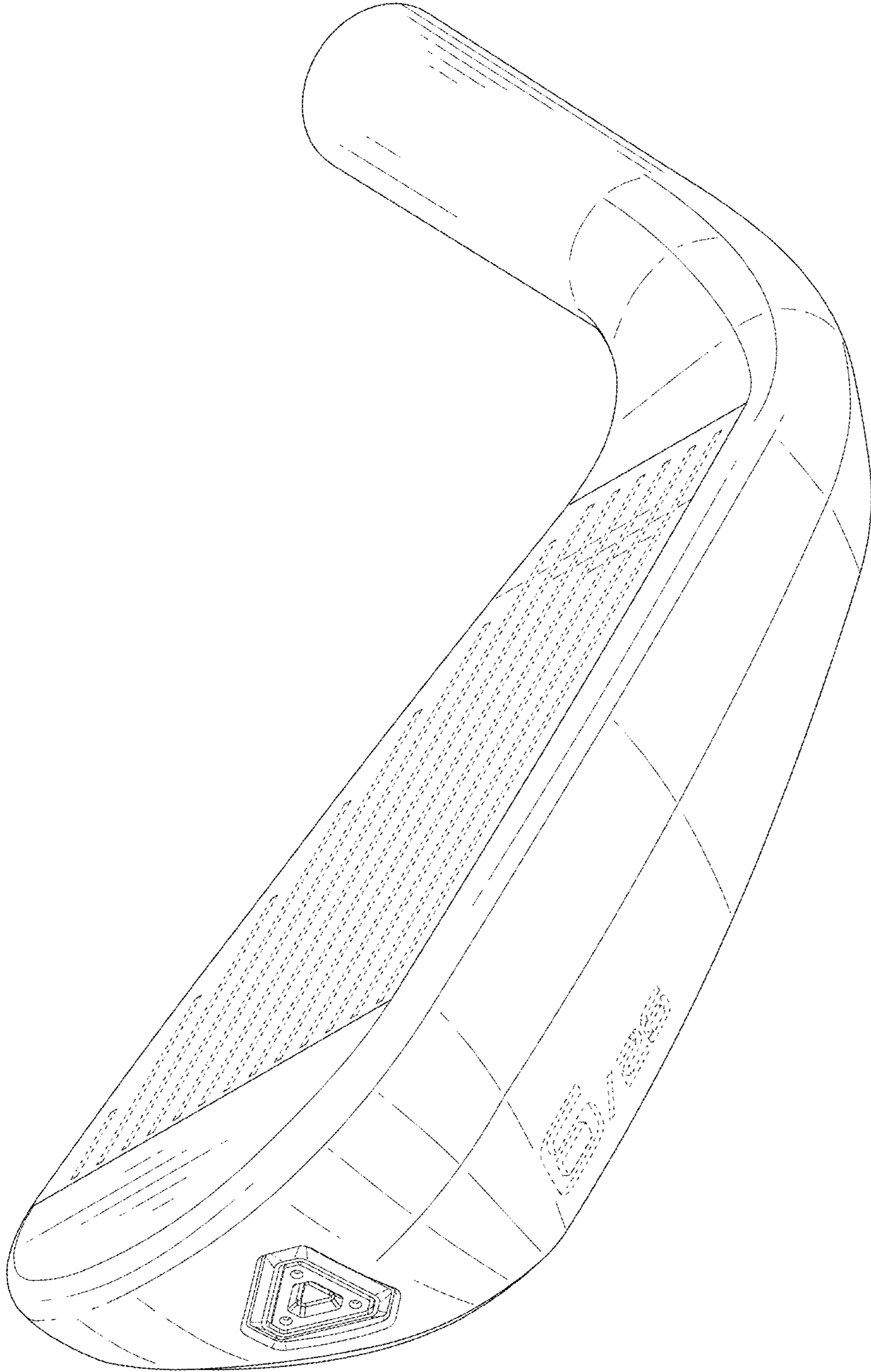


FIG. 9

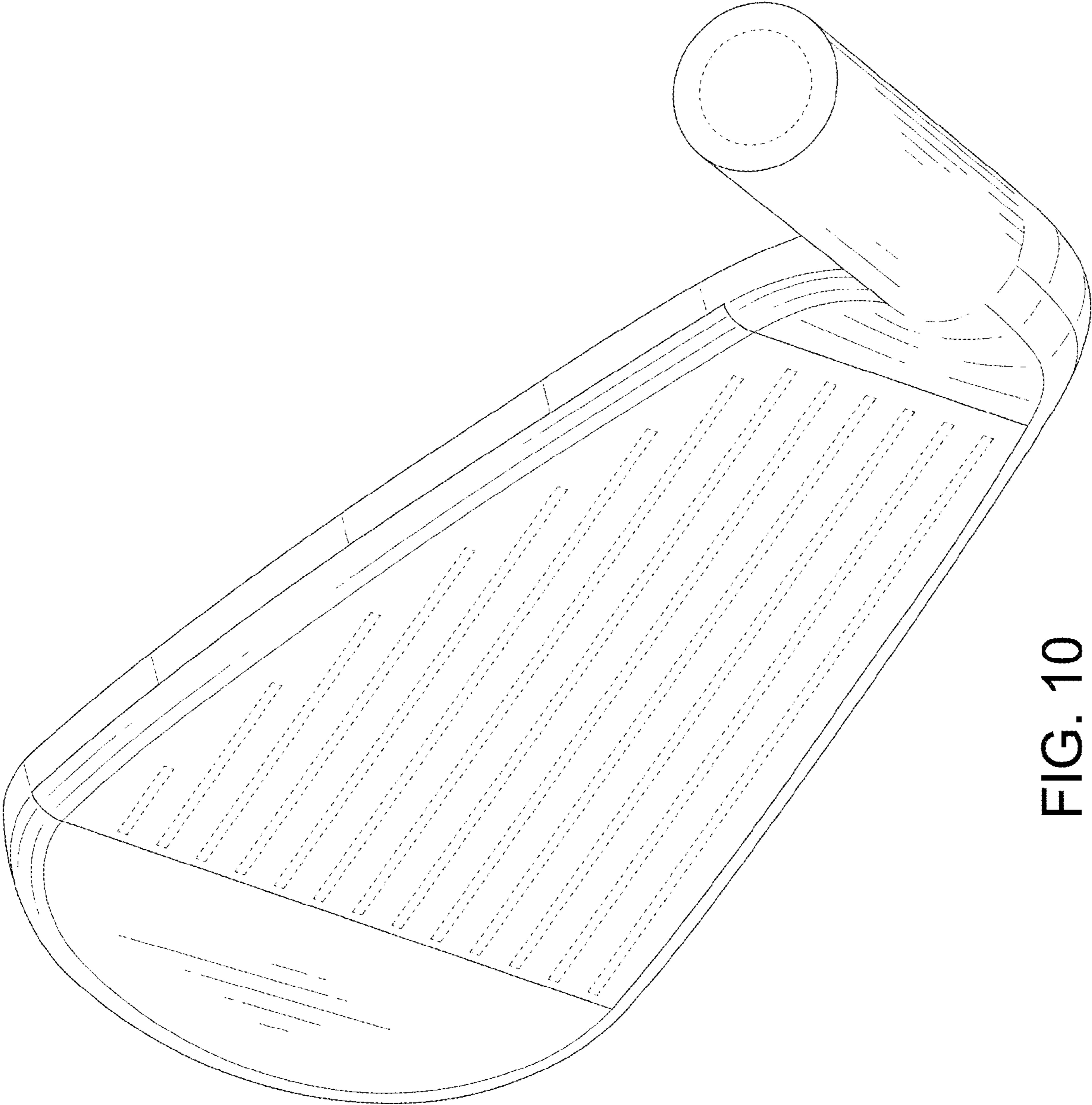


FIG. 10