



US00D986360S

(12) **United States Design Patent** (10) **Patent No.:** **US D986,360 S**  
**Dai** (45) **Date of Patent:** **\*\* May 16, 2023**

(54) **DUMBBELL BENCH**

(71) Applicant: **Huali Dai**, Zhoukou (CN)

(72) Inventor: **Huali Dai**, Zhoukou (CN)

(\*\*) Term: **15 Years**

(21) Appl. No.: **29/772,540**

(22) Filed: **Mar. 2, 2021**

(30) **Foreign Application Priority Data**

Sep. 4, 2020 (CN) ..... 202030520556.X

(51) **LOC (14) Cl.** ..... **21-01**

(52) **U.S. Cl.**  
USPC ..... **D21/686; D6/353**

(58) **Field of Classification Search**  
USPC ..... D21/686–691, 694–695; D6/349,  
D6/353–355, 368  
See application file for complete search history.

(56) **References Cited**

**U.S. PATENT DOCUMENTS**

D262,810 S *	1/1982	Lynn	.....	D21/676
D314,026 S *	1/1991	Jennings	.....	D21/676
D406,290 S *	3/1999	McBride	.....	D21/690
D425,153 S *	5/2000	Grider	.....	D21/676
D438,578 S *	3/2001	Kuo	.....	D21/676
D455,803 S *	4/2002	Webber	.....	D21/686
D519,585 S *	4/2006	Webber	.....	D21/676
D523,495 S *	6/2006	Carlucci	.....	D21/690
D547,400 S *	7/2007	Rogers	.....	D21/690
D637,246 S	5/2011	James		
D820,362 S *	6/2018	Citterio	.....	D21/687
D886,919 S *	6/2020	Gagnon	.....	D21/686
D907,144 S *	1/2021	Zhao	.....	D21/690
2003/0232707 A1 *	12/2003	Dalebout	.....	A63B 21/026 482/123

**OTHER PUBLICATIONS**

“FLYBIRD Adjustable Weight bench” Jul. 28, 2020 site visited Sep. 20, 2021: <https://www.amazon.sg/FLYBIRD-Adjustable-Foldable-Strength-Training/dp/B08DQPGSZ1/> (Year: 2020).\*  
“Kobo EB-1012 Steel Adjustable Dumbbell Bench with Preacher Curl for Home Gym Imported” Aug. 27, 2019, site visited Sep. 20, 2021: <https://www.amazon.in/Kobo-EB-1012-Adjustable-Dumbbell-Preacher/dp/B07X3XX3DV/> (Year: 2019).\*

\* cited by examiner

*Primary Examiner* — Michael C Stout  
*Assistant Examiner* — Melvin L Davis  
(74) *Attorney, Agent, or Firm* — ScienBiziP, P.C.

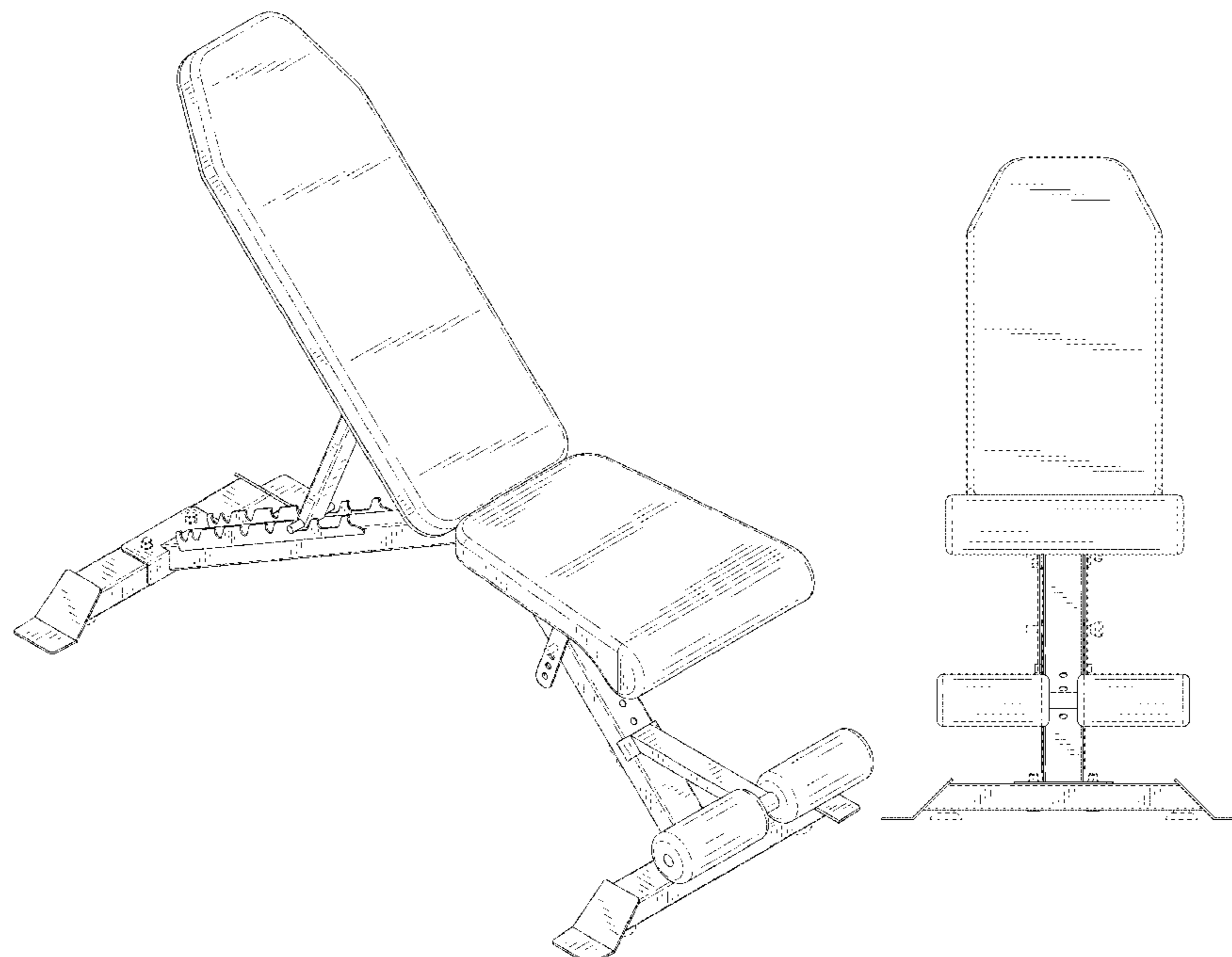
(57) **CLAIM**

The ornamental design for a dumbbell bench, as shown and described.

**DESCRIPTION**

FIG. 1 is a front, right, and top perspective view of a dumbbell bench, showing our design.  
FIG. 2 is a rear, left, and bottom perspective view thereof.  
FIG. 3 is a front elevation view thereof.  
FIG. 4 is a rear elevation view thereof.  
FIG. 5 is a left side elevation view thereof.  
FIG. 6 is a right side elevation view thereof.  
FIG. 7 is a top plan view thereof; and,  
FIG. 8 is a bottom plan view thereof.  
The broken lines shown in the drawings are included for the purpose of illustrating portions of the dumbbell bench that form no part of the claimed design.

**1 Claim, 8 Drawing Sheets**



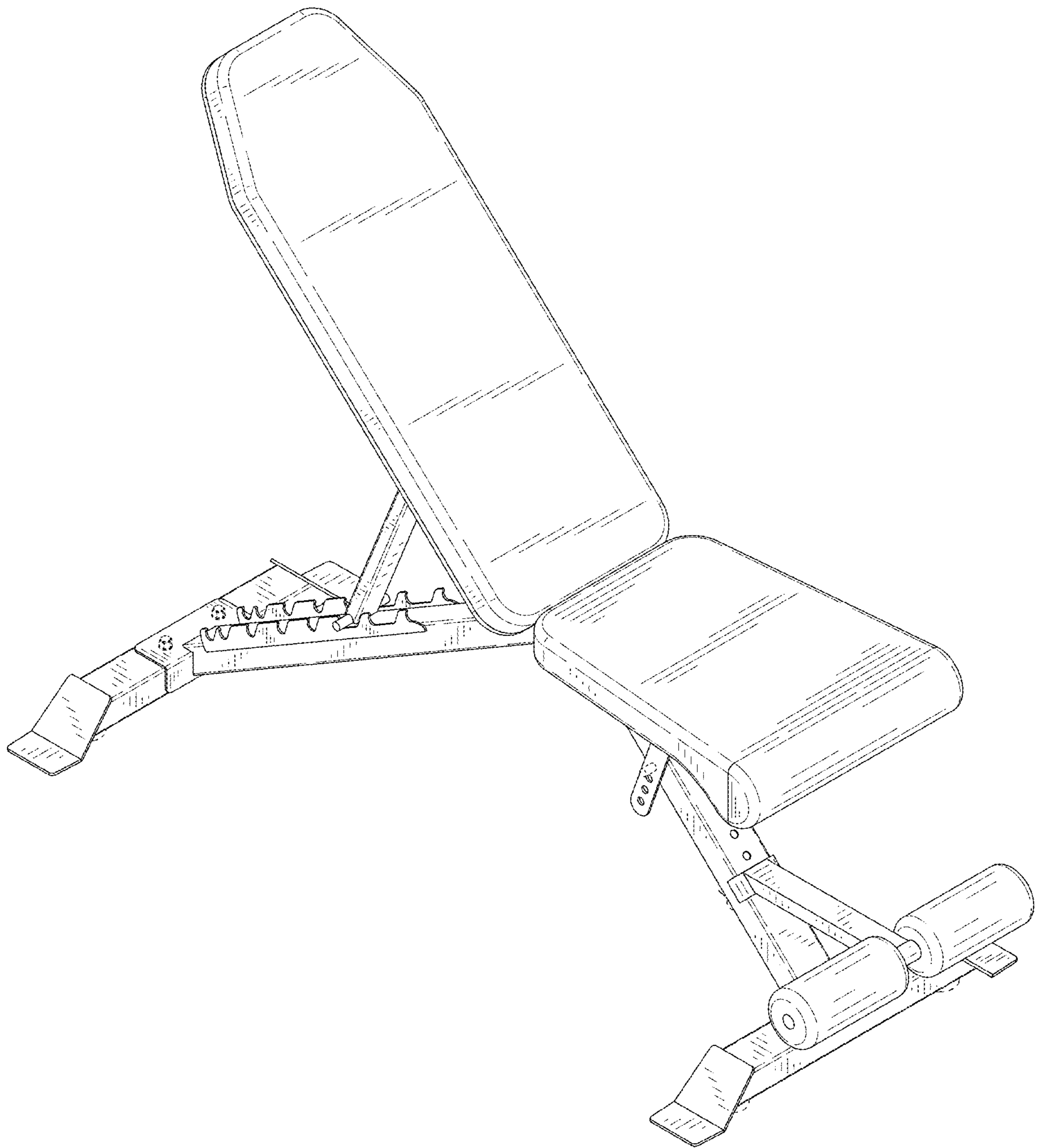


FIG. 1

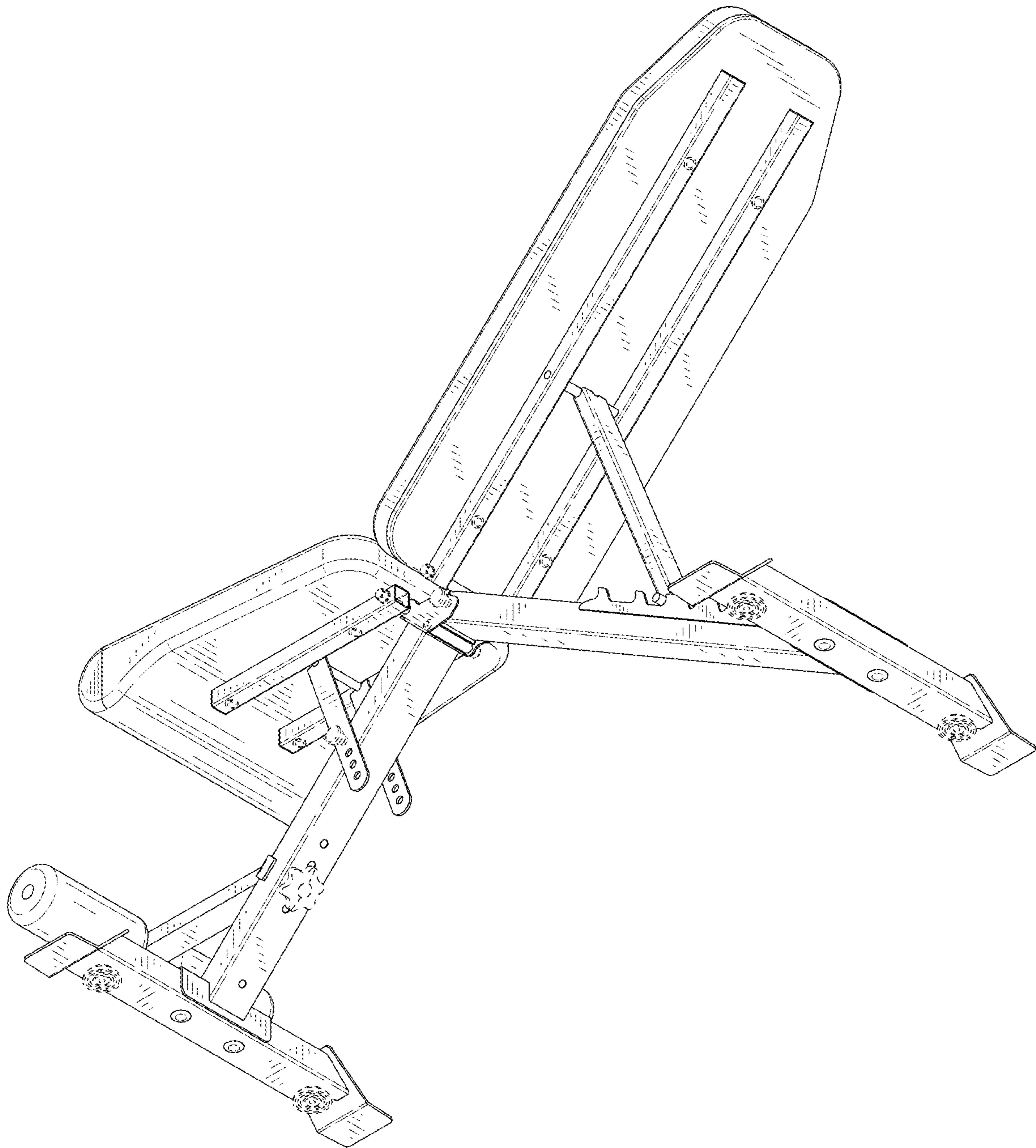


FIG. 2

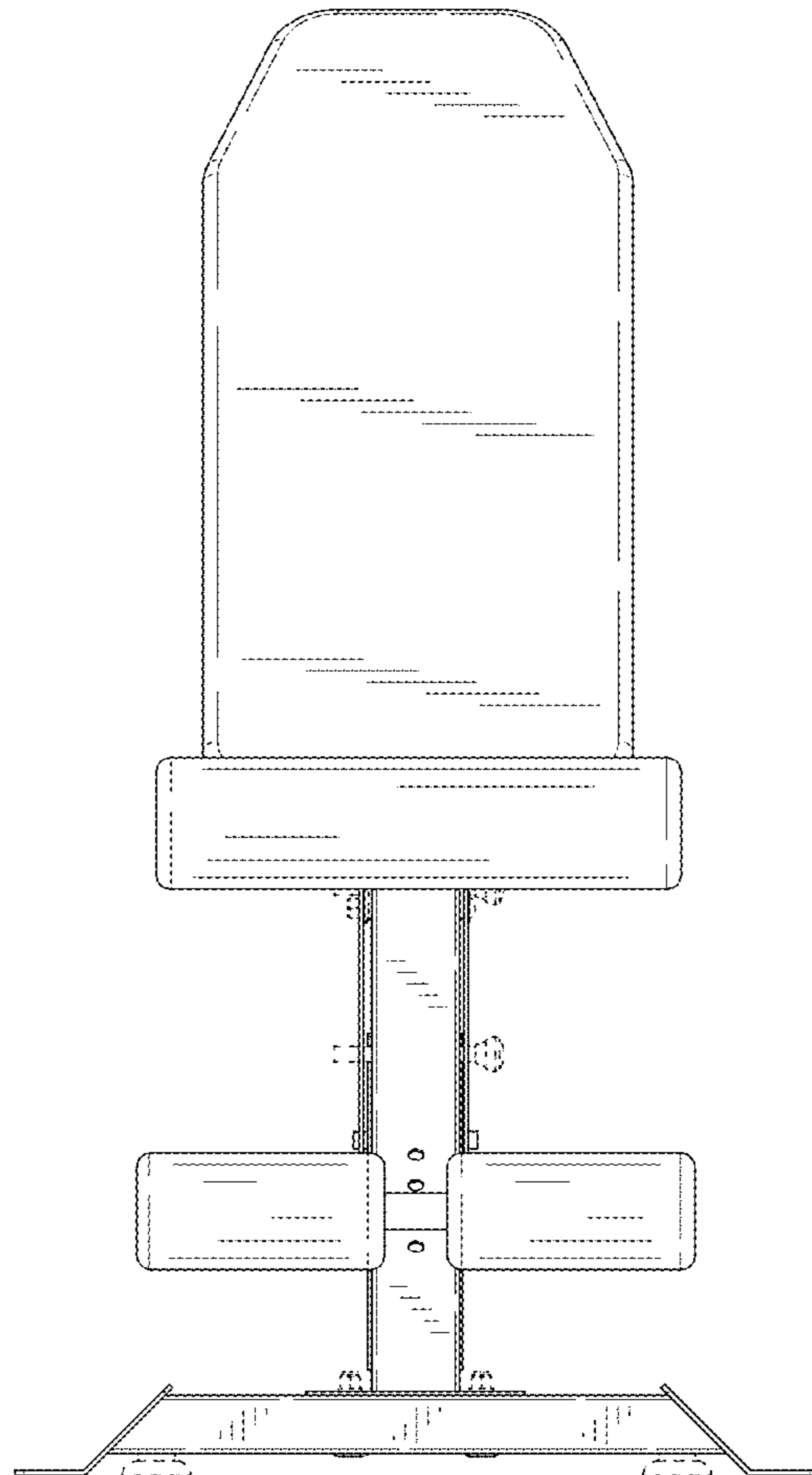


FIG. 3

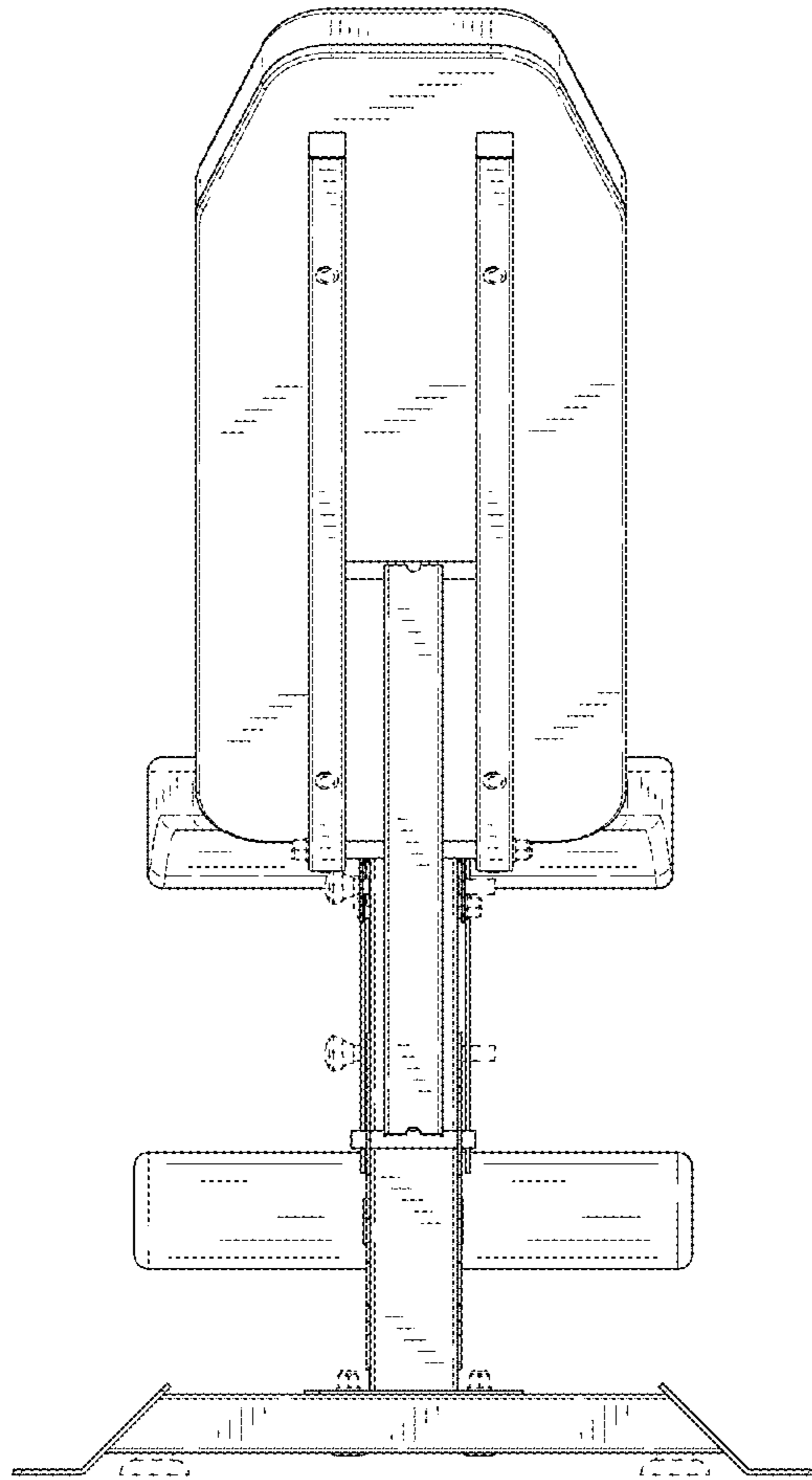


FIG. 4

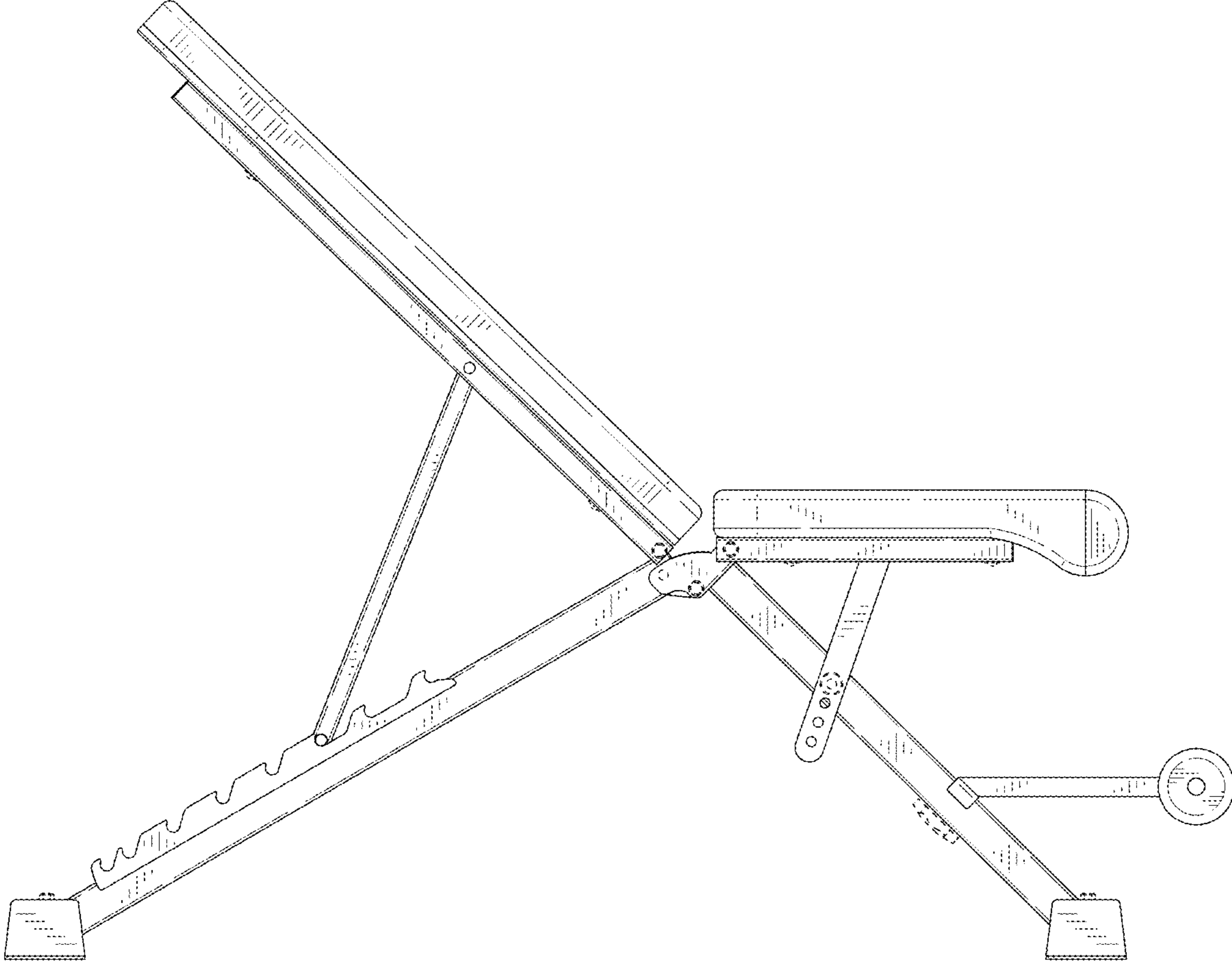


FIG. 5

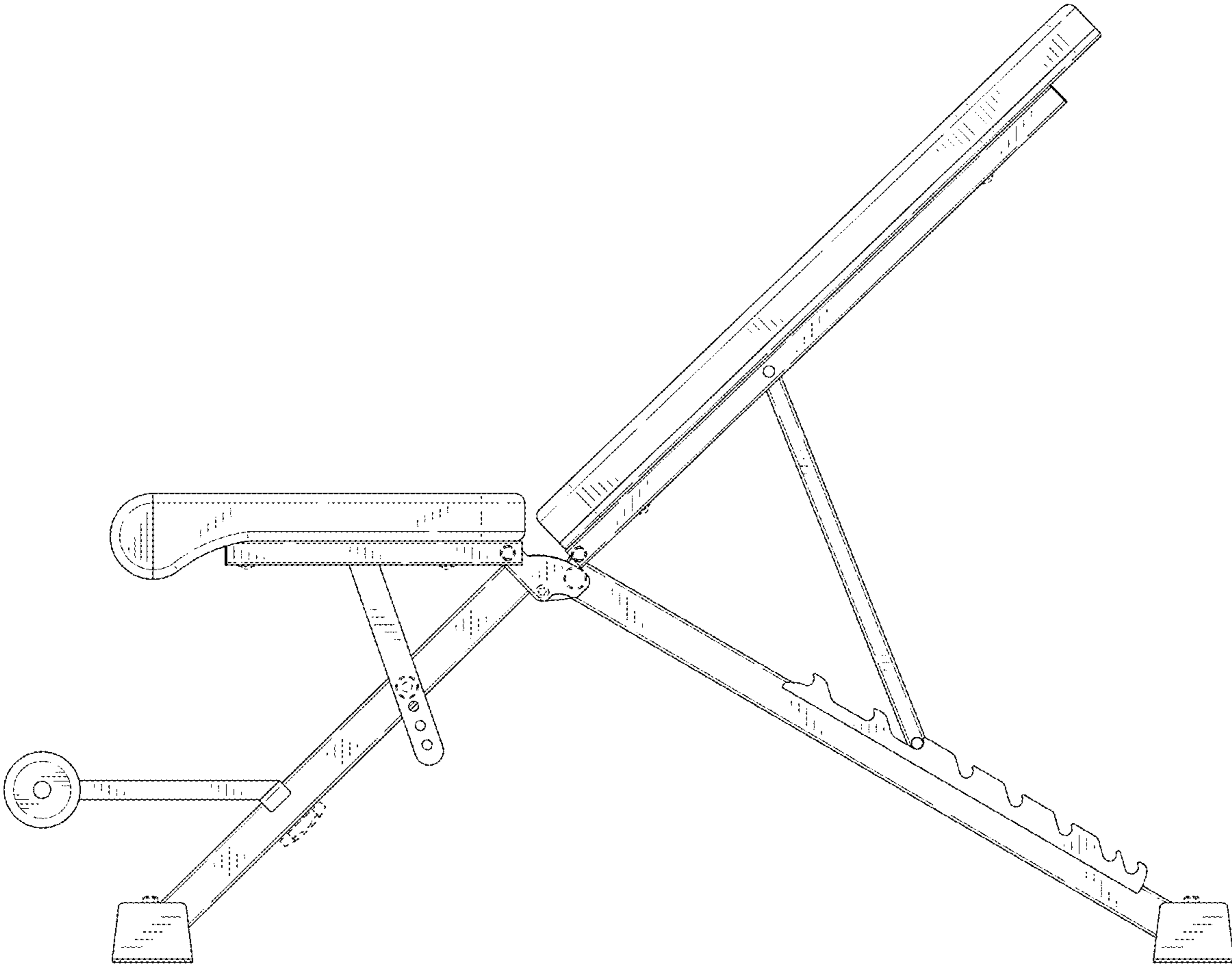


FIG. 6

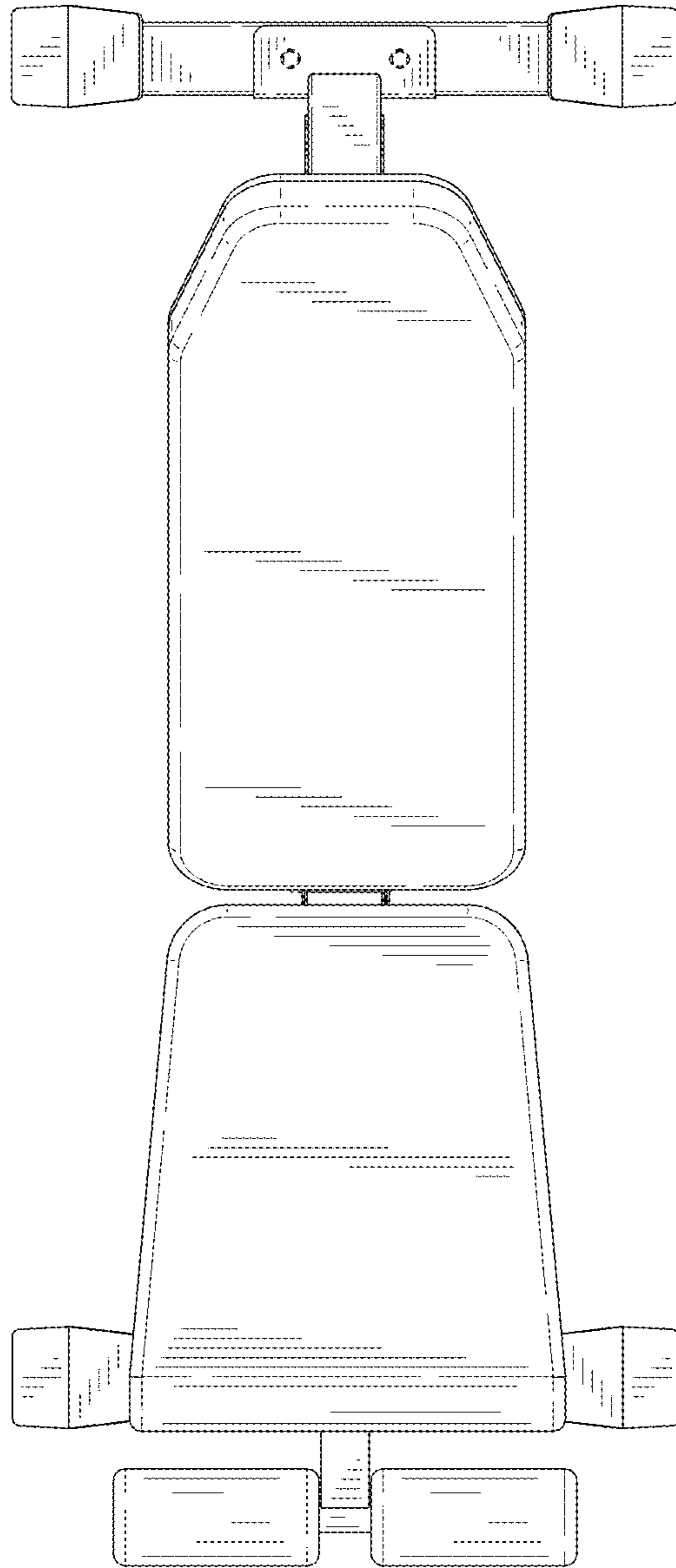


FIG. 7



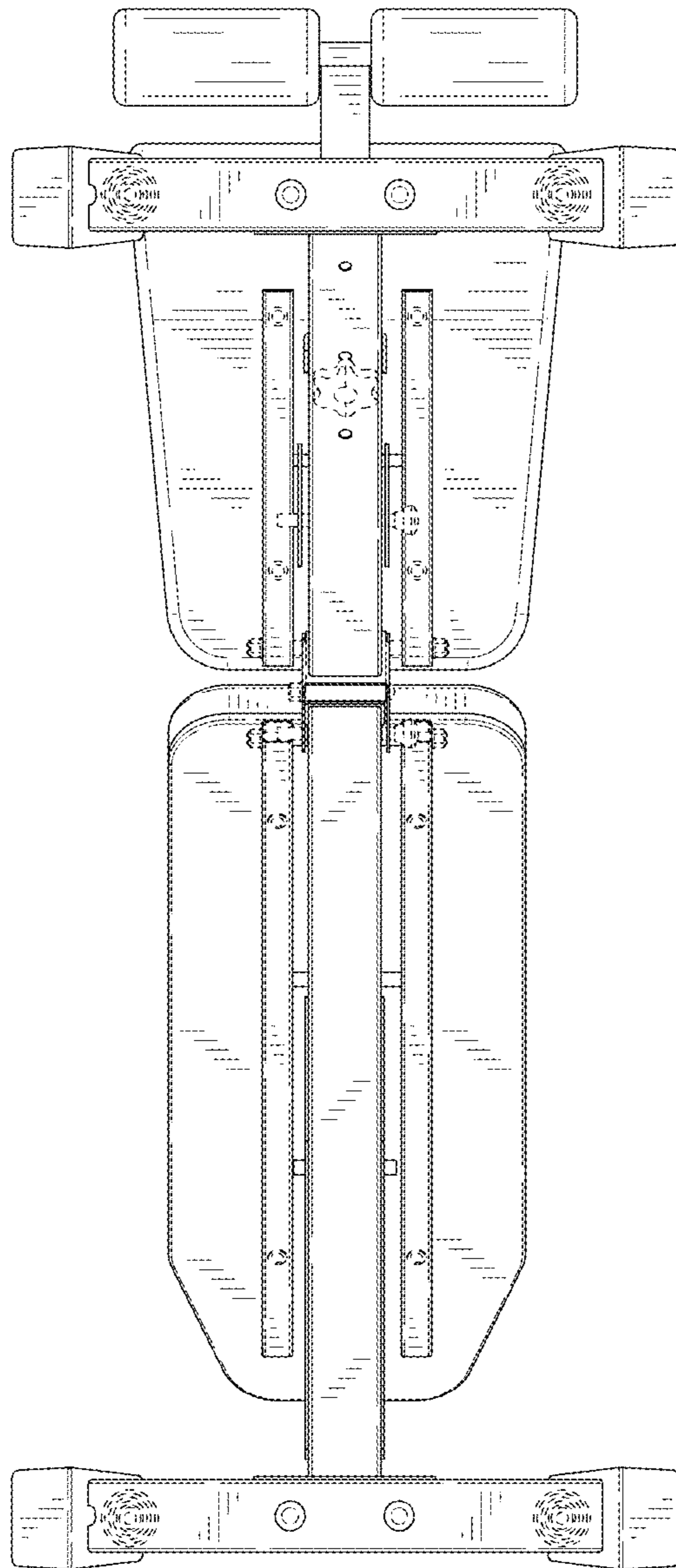


FIG. 8