



US00D986354S

(12) **United States Design Patent**
Johansen et al.

(10) **Patent No.:** **US D986,354 S**

(45) **Date of Patent:** **** May 16, 2023**

(54) **PART OF A TRAINING APPARATUS**

(71) Applicant: **Kompan A/S**, Odense SO (DK)

(72) Inventors: **Martin Noergaard Johansen**, Odense SO (DK); **Niels Grubak Iversen**, Odense SO (DK)

(73) Assignee: **Kompan A/S**, Odense SO (DK)

(**) Term: **15 Years**

(21) Appl. No.: **35/512,360**

(22) Filed: **Feb. 12, 2021**

(80) **Hague Agreement Data**

Int. Filing Date: **Feb. 12, 2021**

Int. Reg. No.: **DM/212803**

Int. Reg. Date: **Feb. 12, 2021**

Int. Reg. Pub. Date: **Aug. 13, 2021**

(51) **LOC (14) Cl.** **21-02**

(52) **U.S. Cl.**

USPC **D21/673**

(58) **Field of Classification Search**

USPC D21/796, 686, 791, 792, 797, 694, 582,
D21/497, 662, 334, 365, 335, 802, 687,
D21/690, 688, 689, 760, 769, 707, 811,
D21/814, 818; D6/608, 611, 368, 482,
D6/148, 102, 142

CPC ... A63B 21/4035; A63B 1/00; A63B 21/4017;
A63B 21/072; A63B 21/0724; A63B
23/12; A63B 23/1209; A63B 21/4029;
A63B 21/078; A63B 2209/00; A63B
21/4037; A47C 31/10; A47K 10/02

See application file for complete search history.

(56) **References Cited**

U.S. PATENT DOCUMENTS

D519,585 S * 4/2006 Webber D21/690
D647,151 S * 10/2011 Van Straaten D21/676
D809,073 S * 1/2018 Jordan D21/690

D816,784 S * 5/2018 Monti D21/690
D843,518 S * 3/2019 Lien D21/690
D912,168 S * 3/2021 Orady D21/673
10,953,275 B2 * 3/2021 Porteros De Luz
A63B 23/0482
D921,132 S * 6/2021 Orady D21/673
D934,354 S * 10/2021 Kim D21/673
D937,367 S * 11/2021 Behar D21/673
D939,033 S * 12/2021 McGrotty D21/690
11,229,822 B1 * 1/2022 Manula A63B 21/4047
D946,673 S * 3/2022 Behar D21/673
D946,674 S * 3/2022 Behar D21/673
D947,964 S * 4/2022 Kim D21/673
D952,072 S * 5/2022 Horita D21/690

(Continued)

OTHER PUBLICATIONS

“Vanswe Weight Bench” Nov. 6, 2018, Amazon, site visited Aug. 16, 2022: <https://amzn.to/3w7DNGj> (Year: 2018).*

(Continued)

Primary Examiner — Jack Reickel

Assistant Examiner — Salamah Jordan

(74) *Attorney, Agent, or Firm* — Polson Intellectual Property Law, PC; Margaret Polson

(57) **CLAIM**

The ornamental design for a part of a training apparatus, as shown and described.

DESCRIPTION

Part of a training apparatus

2.1 : Perspective

2.2 : Front

2.3 : Back

2.4 : Right

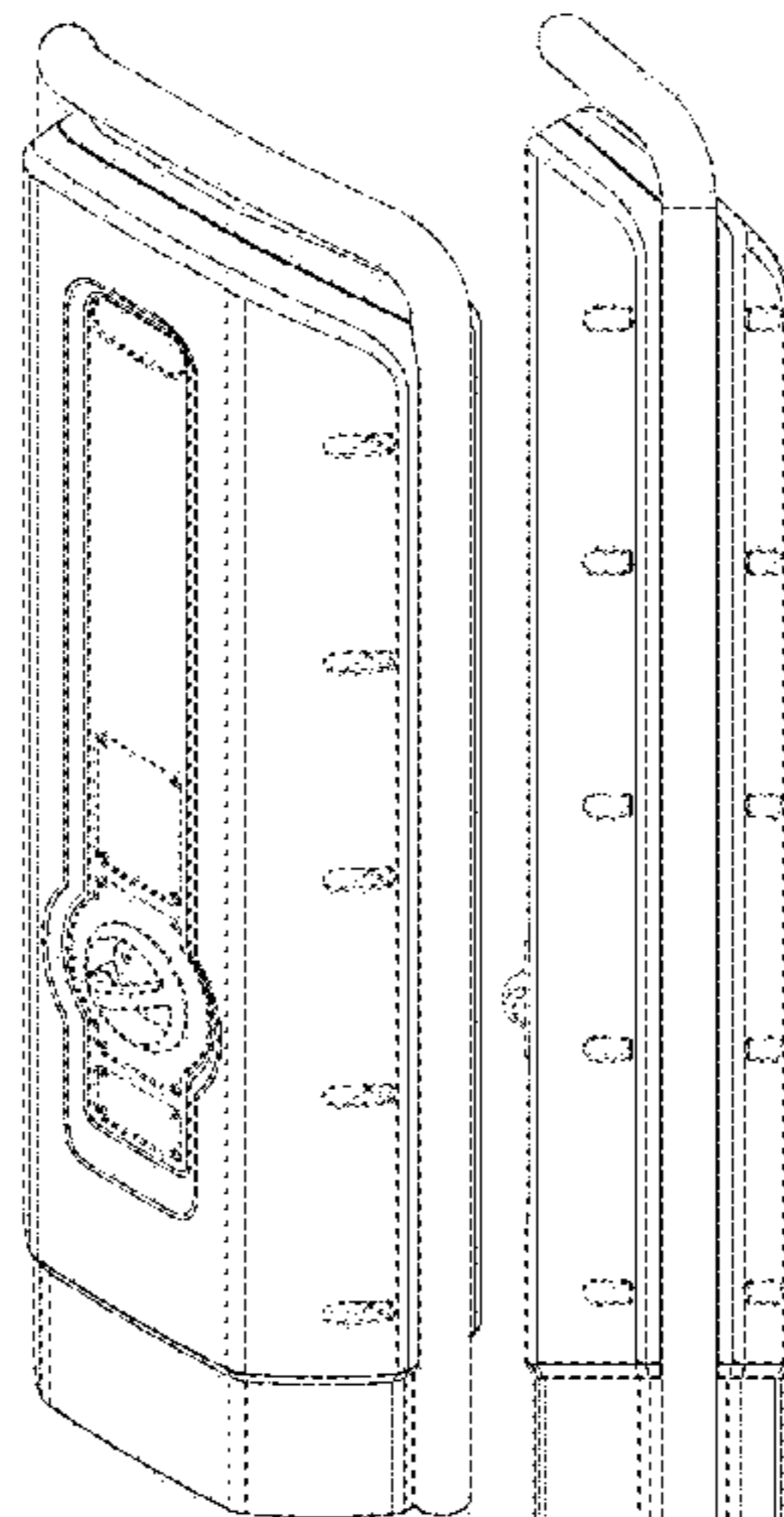
2.5 : Left

2.6 : Top

2.7 : Bottom

The features shown in broken lines in the drawings depict environmental subject matter only, and form no part of the claimed designs.

1 Claim, 7 Drawing Sheets



(56)

References Cited

U.S. PATENT DOCUMENTS

D952,073 S * 5/2022 Horita D21/690
D952,074 S * 5/2022 Horita D21/690
D952,075 S * 5/2022 Horita D21/690
D952,076 S * 5/2022 Horita D21/690
D952,077 S * 5/2022 Horita D21/690
D952,777 S * 5/2022 Horita D21/690
11,413,492 B2 * 8/2022 Baker A63B 23/00
2022/0288447 A1 * 9/2022 Spurgin A63B 21/00069

OTHER PUBLICATIONS

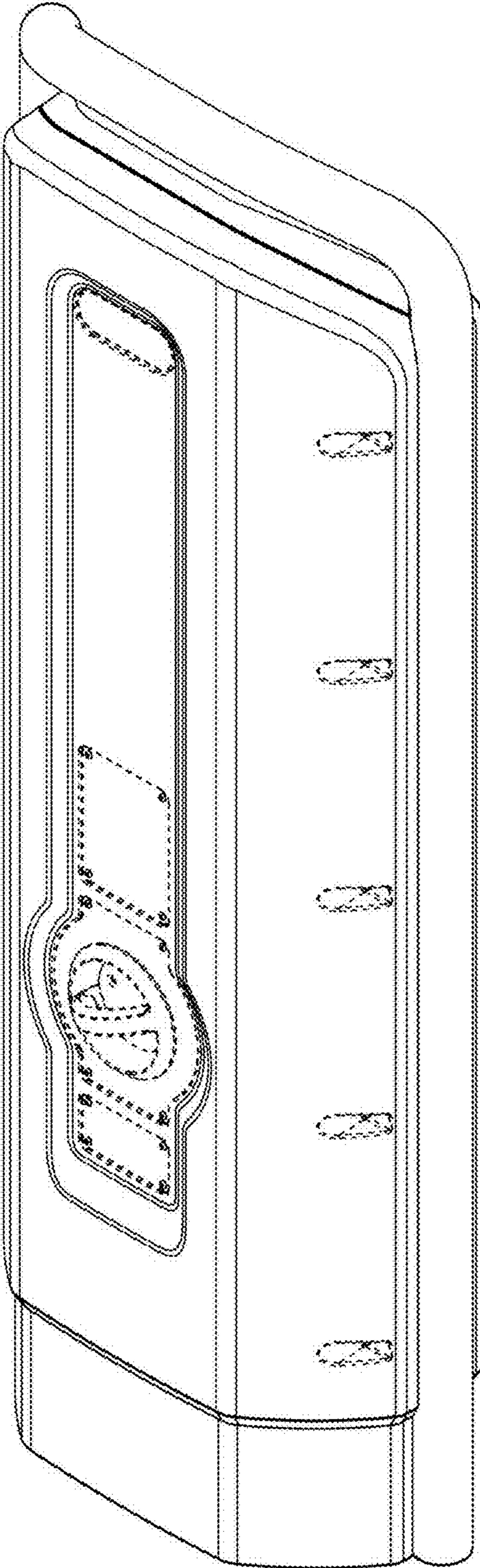
“Marcy Home Gym Fitness Deluxe Cage System” Oct. 30, 2017, Amazon, site visited Aug. 16, 2022: <https://amzn.to/3K5mpHR> (Year: 2017).*

“Body-Solid G9S” Jan. 24, 2007, Amazon, site visited Jan. 3, 2023: <https://amzn.to/3X3zCq0> (Year: 2007).*

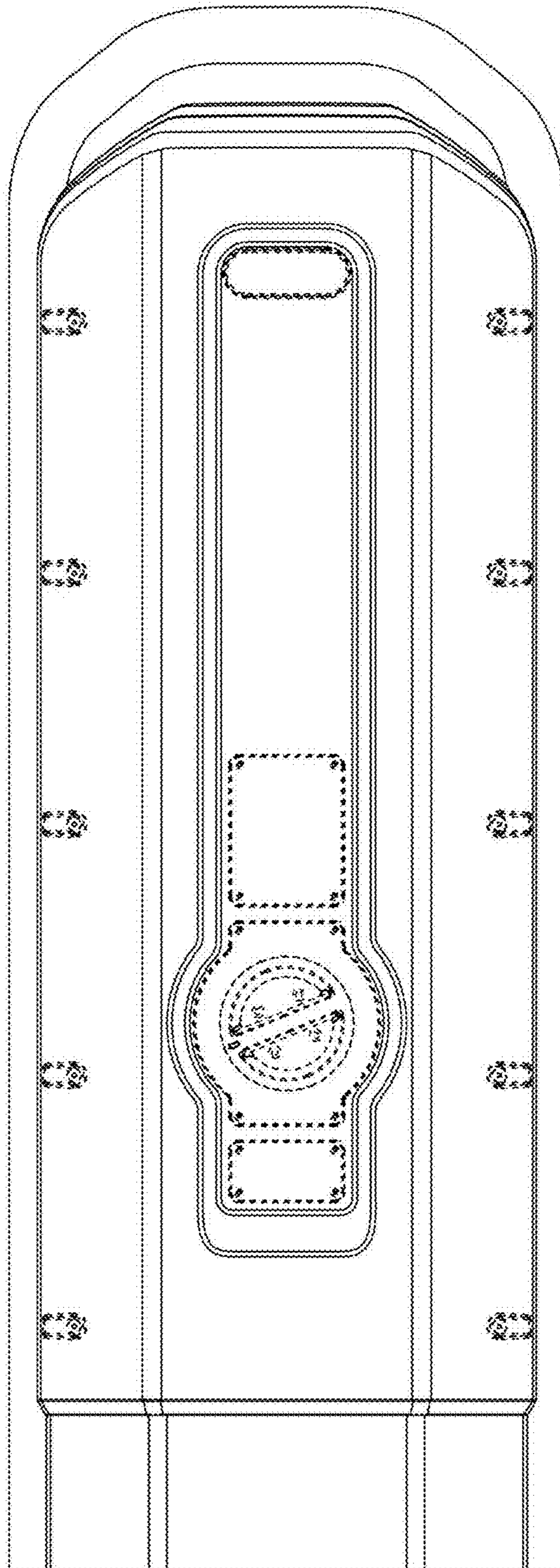
“Leg Press and Calf Extension Exercise” Jul. 25, 2016, Youtube, site visited Jan. 3, 2023: <https://www.youtube.com/watch?v=IEYAZZ5rELw> (Year: 2016).*

* cited by examiner

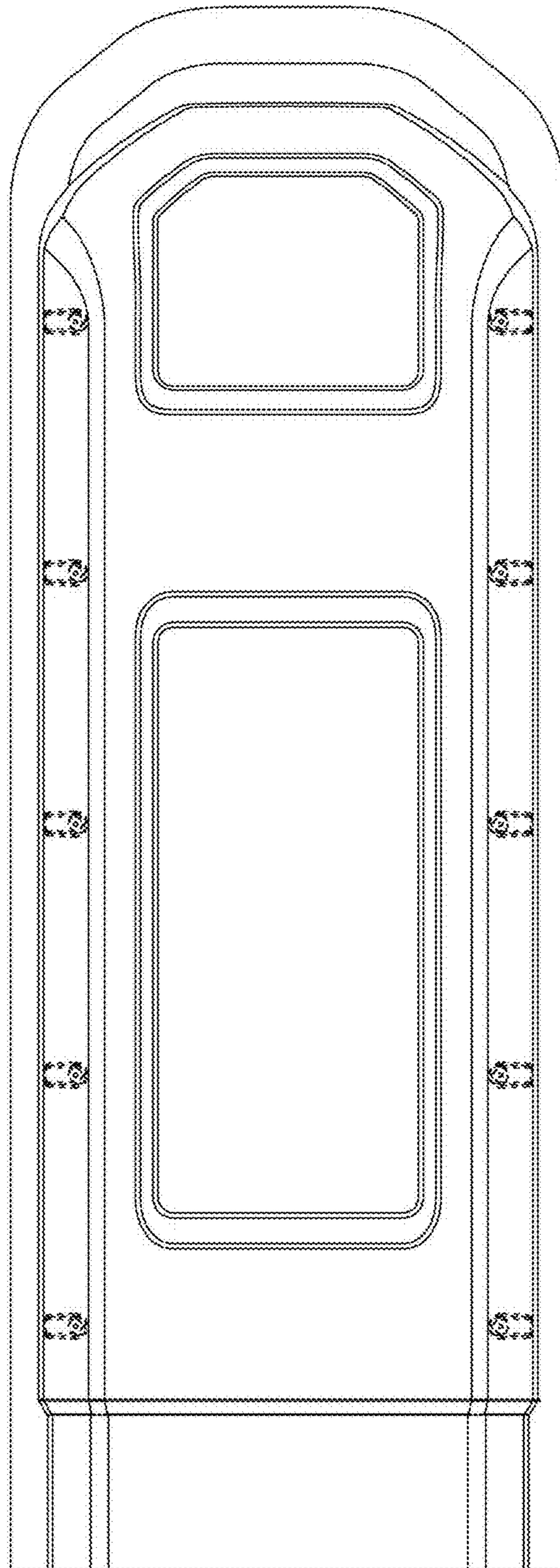
2.1



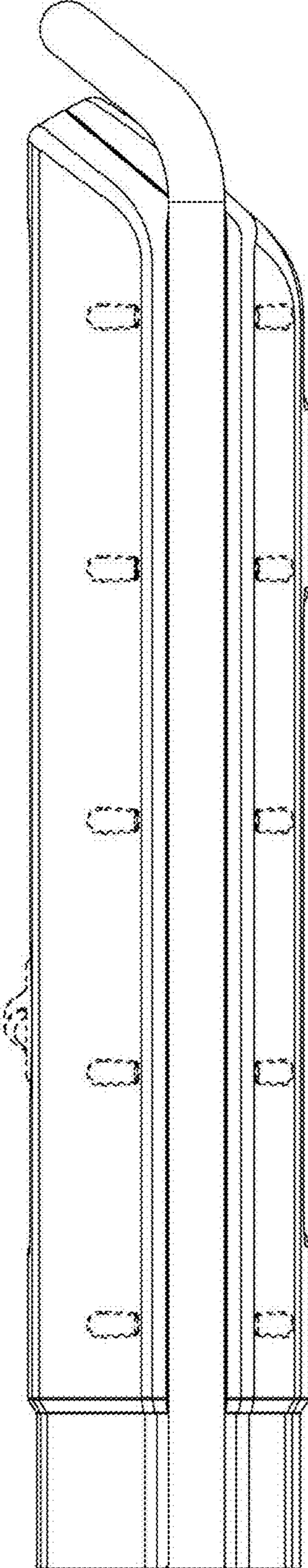
2.2



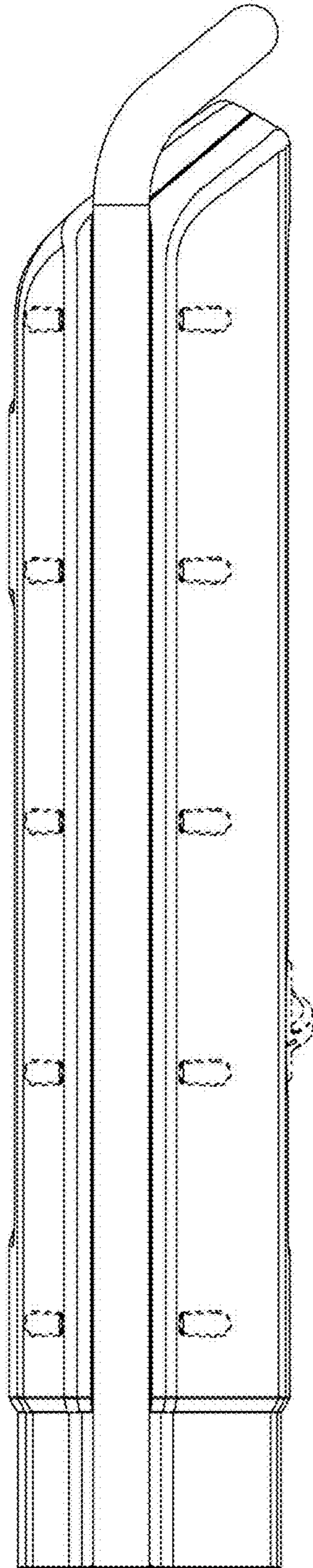
2.3



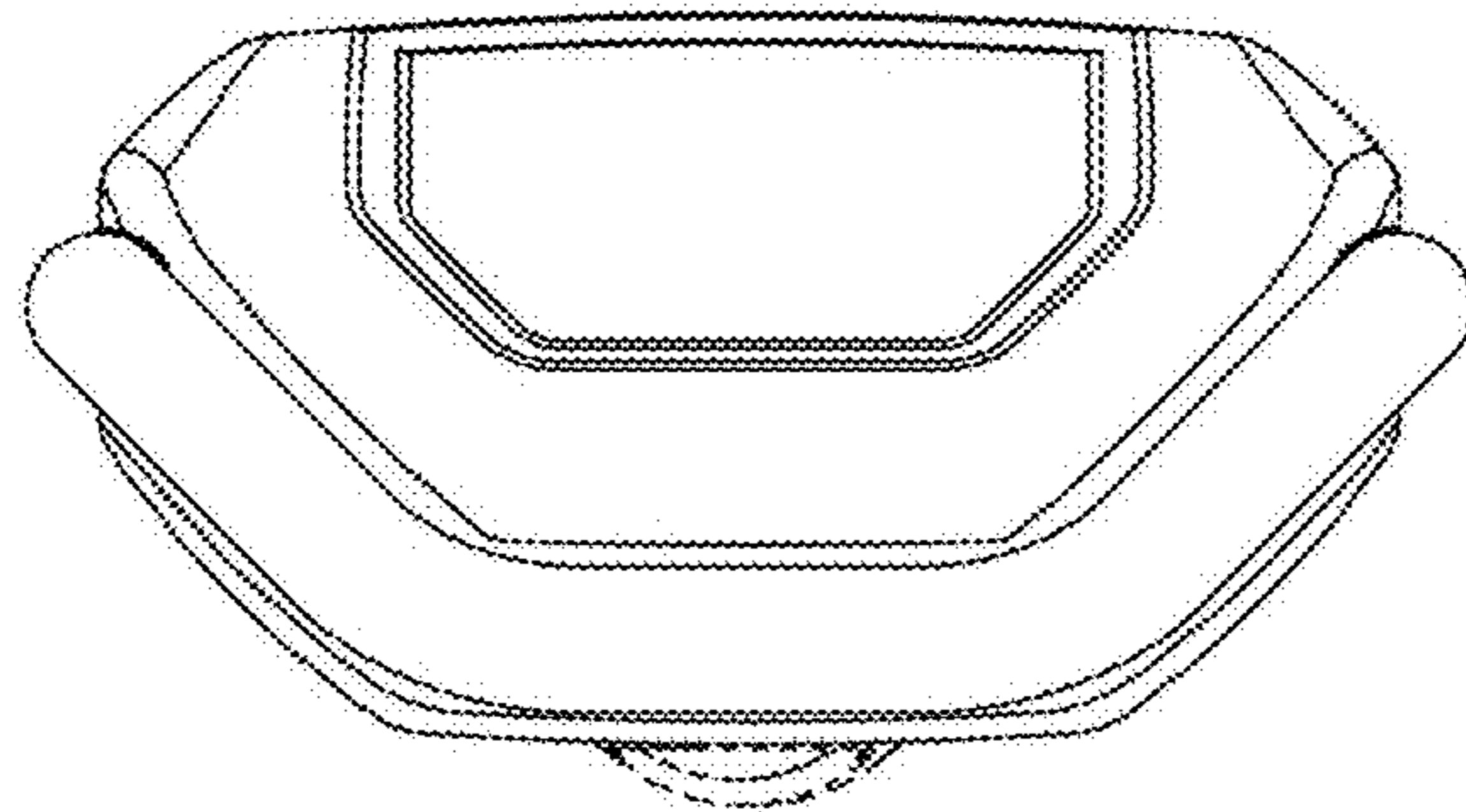
2.4



2.5



2.6



2.7

