



US00D986348S

(12) **United States Design Patent** (10) **Patent No.:** **US D986,348 S**
Snow (45) **Date of Patent:** **** May 16, 2023**

(54) **KATANA**

(71) Applicant: **Ronin Shogun Enterprises, LLC**,
Brooksville, FL (US)

(72) Inventor: **Caleb Snow**, Brooksville, FL (US)

(**) Term: **15 Years**

(21) Appl. No.: **29/798,090**

(22) Filed: **Jul. 6, 2021**

(51) **LOC (14) Cl.** **21-01**

(52) **U.S. Cl.**
USPC **D21/568**; D21/567

(58) **Field of Classification Search**
USPC D21/568, 567, 483, 725; D26/43, 32, 42;
D22/118, 117
CPC A63H 37/00; A63H 33/009; A63H 33/02
See application file for complete search history.

(56) **References Cited**

U.S. PATENT DOCUMENTS

5,295,926	A *	3/1994	Tanabe	F41B 13/02 446/473
D357,289	S *	4/1995	Cramton	D21/725
5,630,998	A *	5/1997	Parsons	A63H 33/009 434/11
D502,347	S *	3/2005	Mendini	D6/553
D638,502	S *	5/2011	Paul	D21/568
D786,837	S *	5/2017	Tsen	D14/230
10,022,606	B2 *	7/2018	Haro	A63B 59/52
D896,902	S *	9/2020	Tekerman	D21/725
2004/0127292	A1 *	7/2004	Chan	A63B 69/004 463/47.2
2021/0308544	A1 *	10/2021	Nabeta	A63B 69/004

FOREIGN PATENT DOCUMENTS

CN	303913086	*	11/2016
CN	306934622	*	11/2021

OTHER PUBLICATIONS

Sleeping Samurai Website, Tafu Katana, No Available Date,[Website Visited on Dec. 9, 2022], Available on the Internet URL http://www.sleepingsamurai.com/store/p39/Tafu_Katana.html (Year: NA).*
Amazon Website, Sunflex Fandango Striker Sticks, Earliest Available Date: Mar. 21, 2018,[Website Visited on Dec. 9, 2022], Available on the Internet URL <https://www.amazon.com/dp/B06XQ66R5C/> (Year: 2018).*

(Continued)

Primary Examiner — S. Bryan Reinholdt, Jr.

Assistant Examiner — James T Tyree

(74) *Attorney, Agent, or Firm* — Larson & Larson; Justin P. Miller; Frank Liebenow

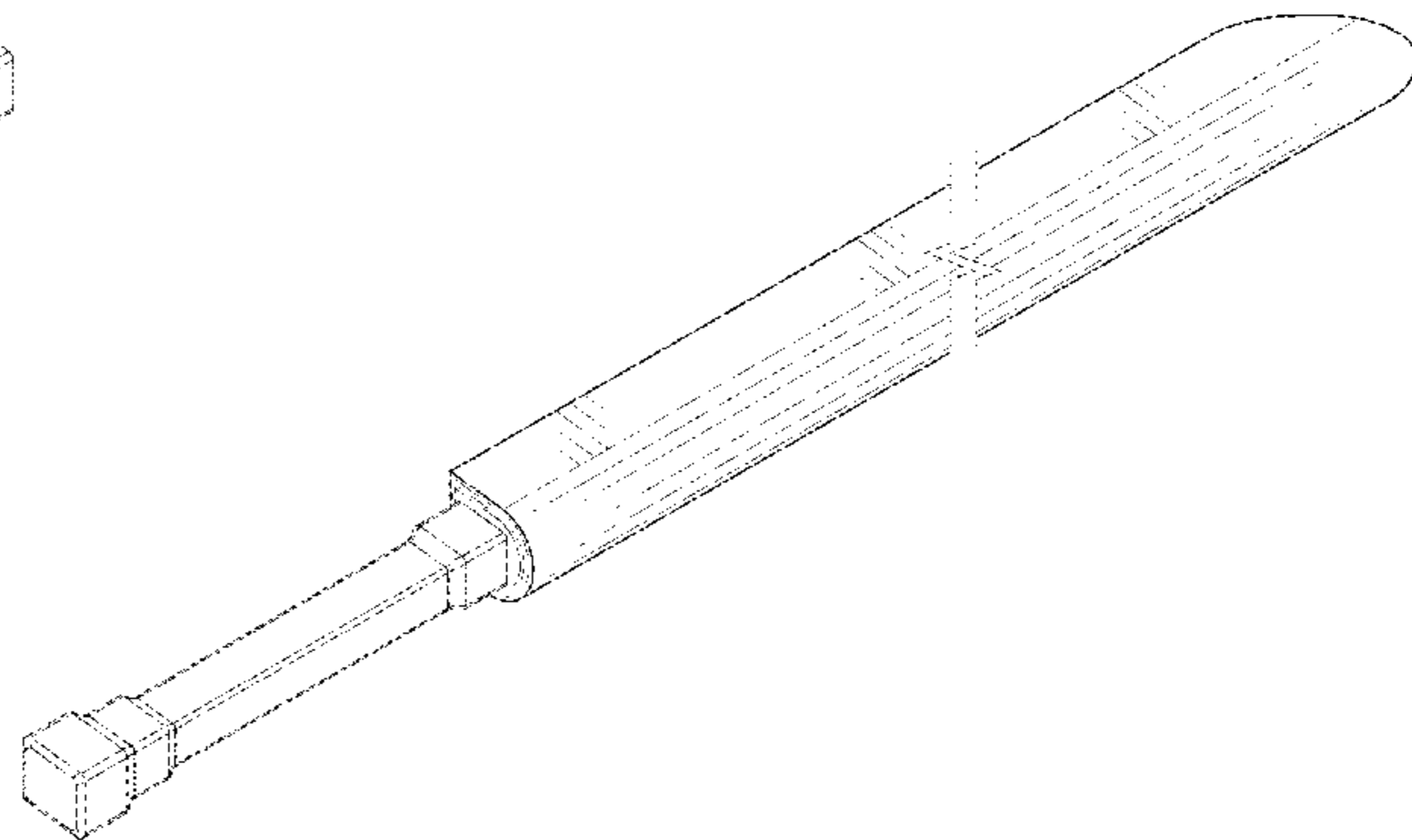
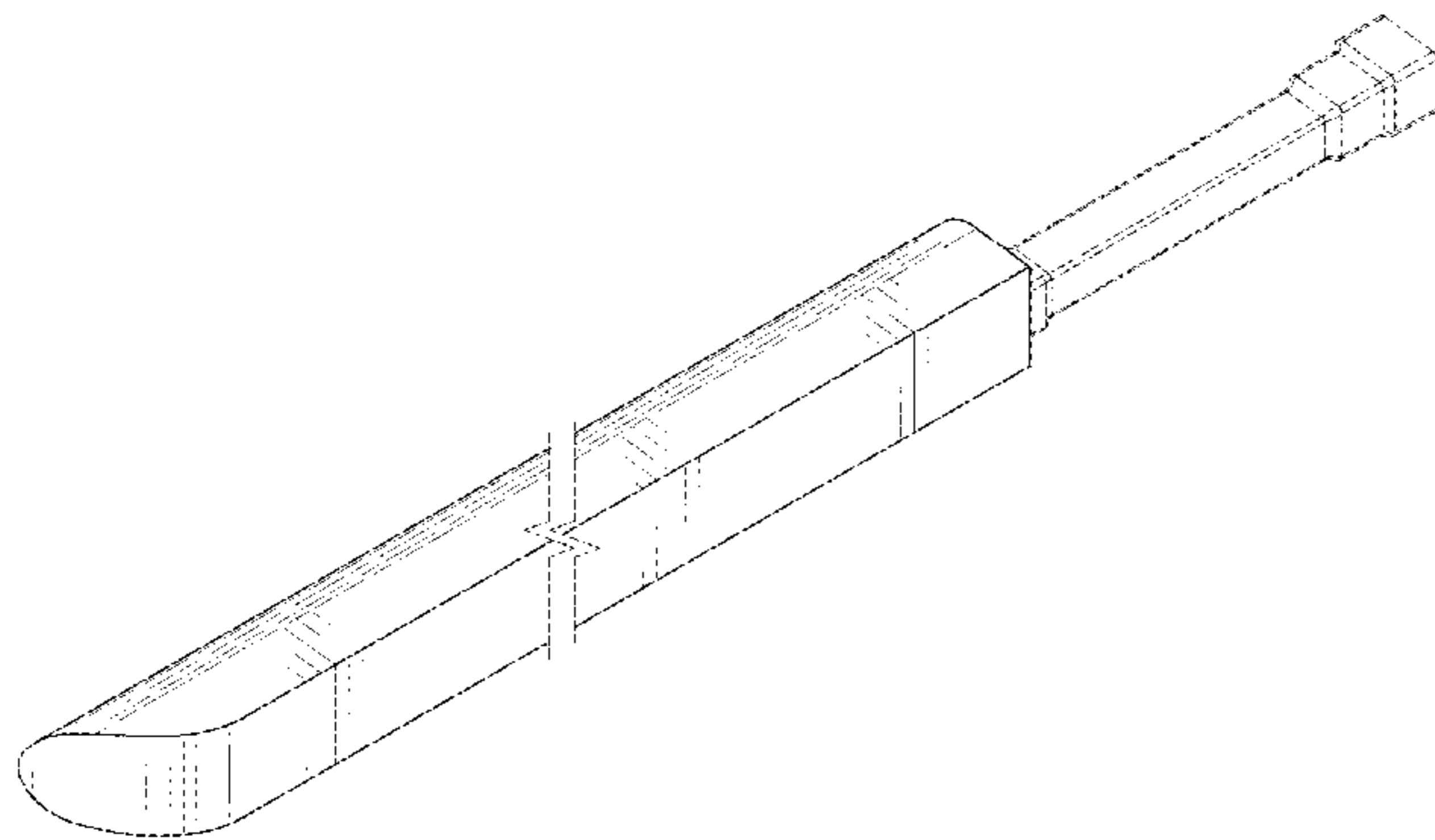
(57) **CLAIM**

I claim the ornamental design for a katana, as shown and described.

DESCRIPTION

FIG. 1 is a bottom plan view of a katana showing my new design;
FIG. 2 is a top plan view thereof;
FIG. 3 is a right-side elevation view thereof;
FIG. 4 is a left-side elevation view thereof;
FIG. 5 is a front elevation view thereof;
FIG. 6 is a back elevation thereof;
FIG. 7 is a bottom perspective view thereof; and,
FIG. 8 is a top perspective view thereof, showing the katana. The broken-away symbols in the drawings indicate the appearance of any portion of the article between the break lines forms no part of the claimed design. The broken lines depicting a handle are for the purpose of illustrating the unclaimed portions of the article and form no part of the claimed design.

1 Claim, 5 Drawing Sheets



(56)

References Cited

OTHER PUBLICATIONS

Amazon Website, S-TEC Sparring Sword Set, Earliest Available Date: Apr. 2, 2019, [Website Visited on Dec. 9, 2022], Available on the Internet URL <https://www.amazon.com/S-TEC-Practice-Padded-Sparring-Handle/dp/B07YBHQF5P/> (Year: 2019).*

* cited by examiner

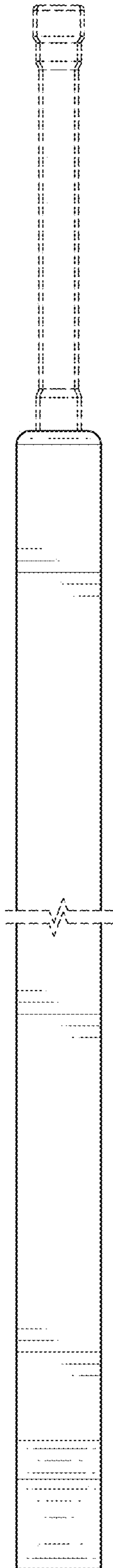


FIG. 1

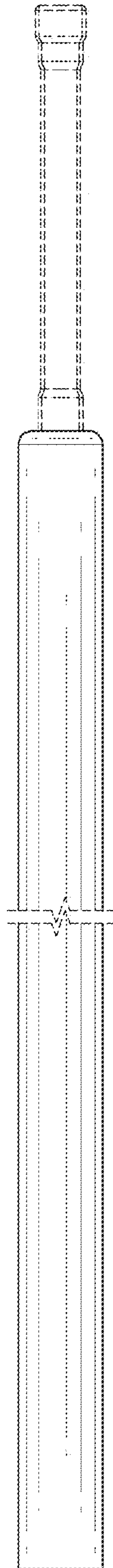


FIG. 2

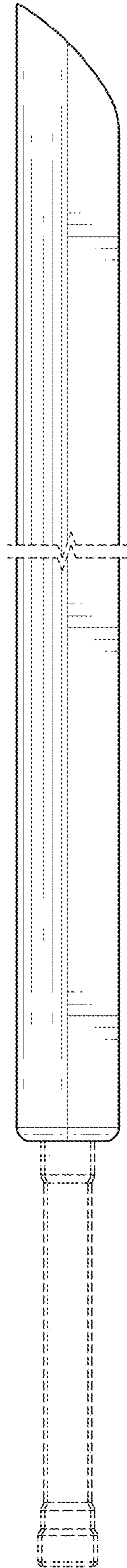


FIG. 3

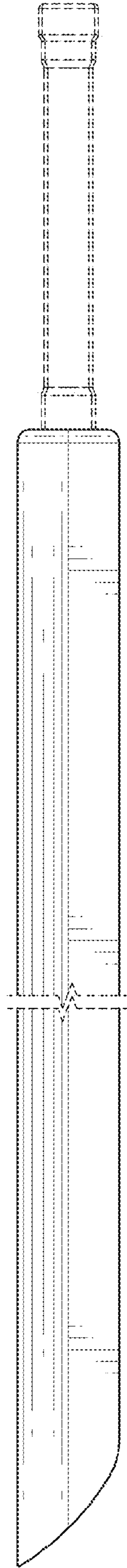


FIG. 4

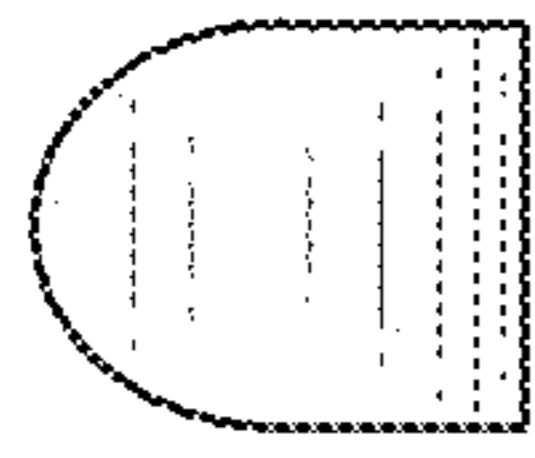


FIG. 5

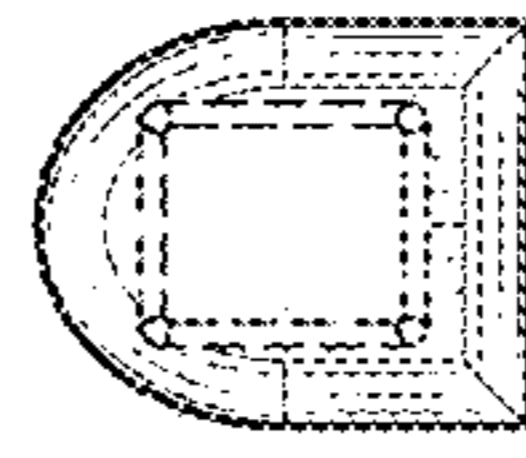


FIG. 6

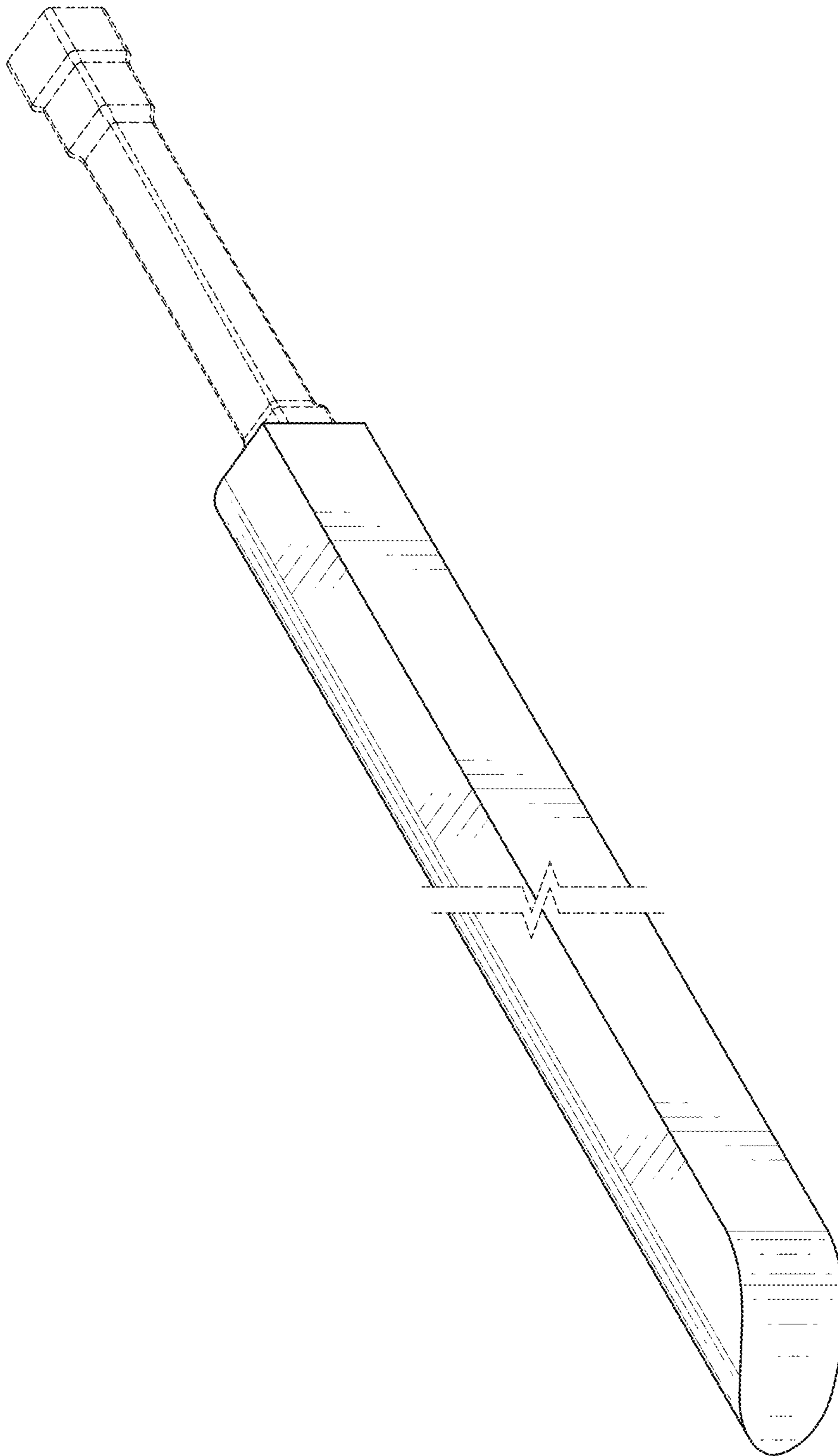


FIG. 7

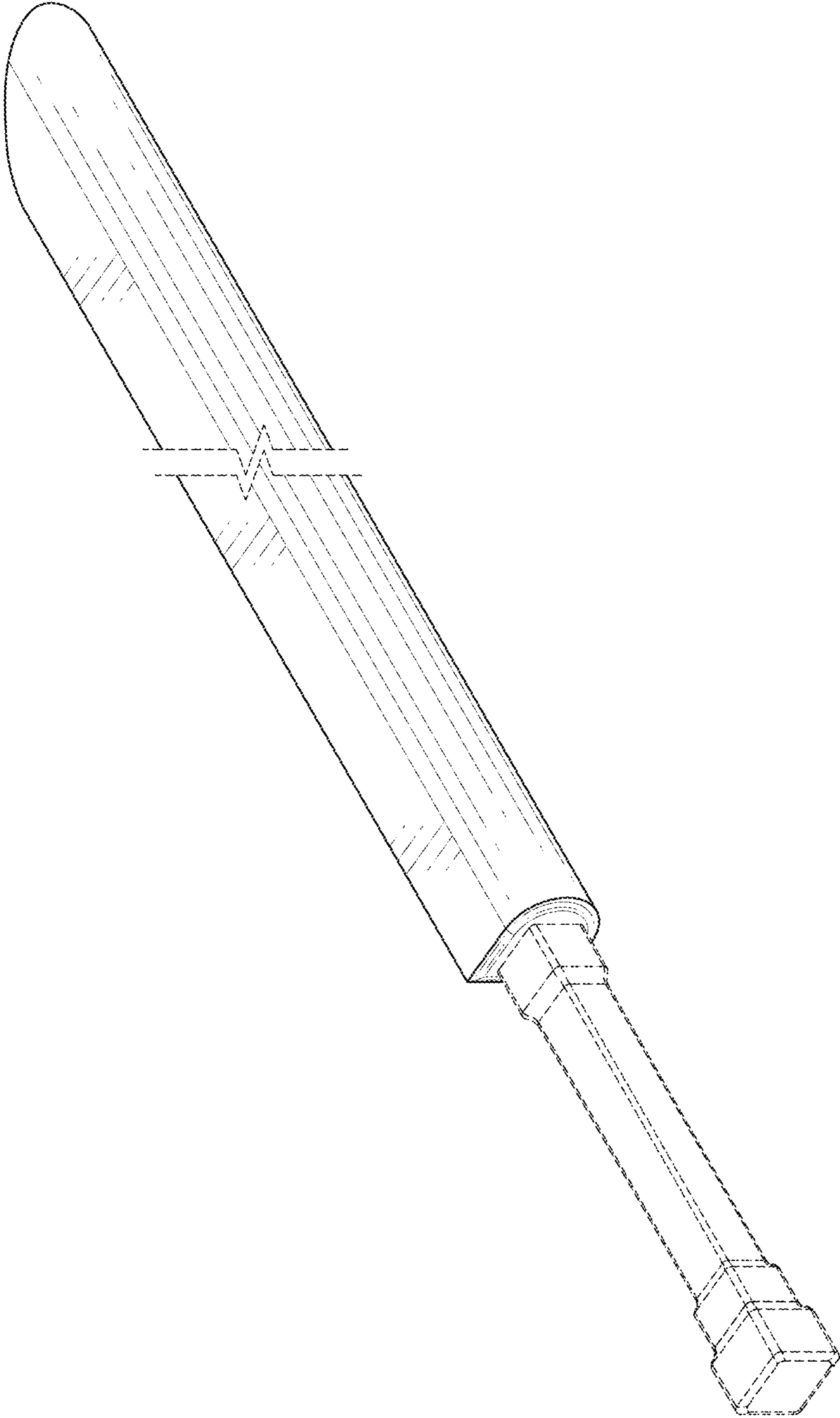


FIG. 8