



US00D986347S

(12) **United States Design Patent** (10) **Patent No.:** **US D986,347 S**
Murray et al. (45) **Date of Patent:** **** May 16, 2023**

(54) **TIMER TOY**
(71) Applicant: **Lovevery, Inc.**, Boise, ID (US)
(72) Inventors: **Seth Thomas Murray**, Piedmont, CA (US); **Thomas Creason Rigby**, Boise, ID (US); **Stephen Blaise Lawless**, Boise, ID (US); **Allison Holmquist Remington**, Boise, ID (US)
(73) Assignee: **Lovevery, Inc.**, Boise, ID (US)

D473,901 S * 4/2003 Stoneberg D21/531
D509,764 S * 9/2005 Watson D10/98
D515,446 S * 2/2006 Viscosi D10/96
D525,548 S * 7/2006 Viscosi D10/96
D532,055 S * 11/2006 Lin D21/531
D554,006 S * 10/2007 Autio D10/47
D652,743 S * 1/2012 Pilz D10/22
D656,043 S * 3/2012 Westerlund D10/15
D770,310 S * 11/2016 Rogers D10/40
D785,471 S * 5/2017 Rogers D10/40
D797,575 S * 9/2017 Lai D10/22
D886,642 S * 6/2020 Zhou D10/22

(Continued)

(**) Term: **15 Years**

OTHER PUBLICATIONS

(21) Appl. No.: **29/737,357**
(22) Filed: **Jun. 8, 2020**
(51) **LOC (14) Cl.** **21-01**
(52) **U.S. Cl.**
USPC **D21/531**
(58) **Field of Classification Search**
USPC D21/398, 455, 468, 470, 531; D14/204, D14/216, 231, 496, 170; D10/1, 6, 15, D10/21, 22, 23
CPC ... A63F 9/06; A63F 9/08; G05B 2219/15049; G05B 2219/15063; G05B 2219/33088
See application file for complete search history.

The Investigator Play Kit, available on YouTube.com, date posted Jun. 9, 2020, [site visited Jan. 7, 2022], URL: <https://www.youtube.com/watch?v=Jpj3EuWHpEA> (Year: 2020).*

(Continued)

Primary Examiner — Dana K Weiland
Assistant Examiner — Emily Anna Saunders
(74) *Attorney, Agent, or Firm* — Fish & Richardson P.C.

(57) **CLAIM**

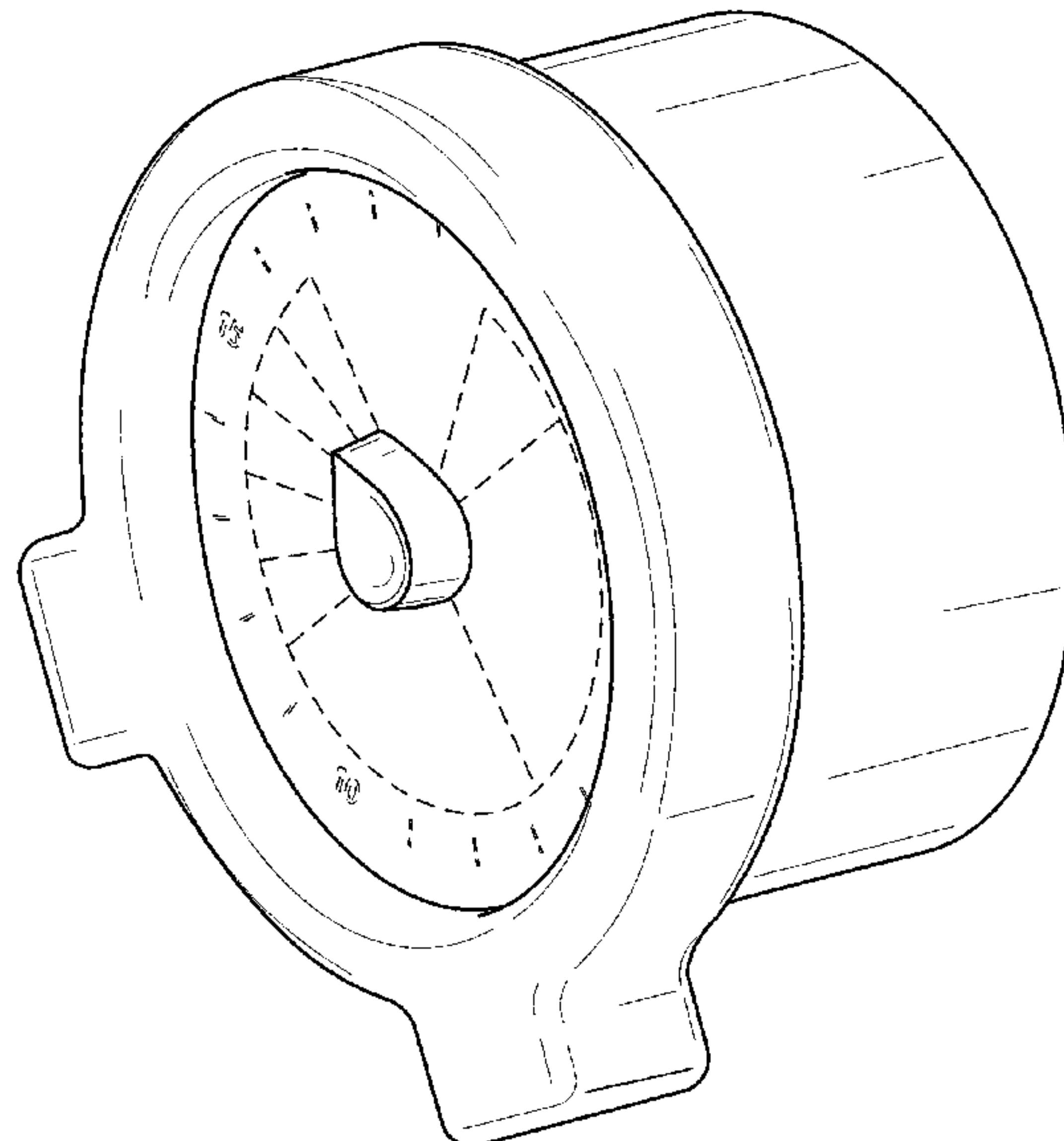
The ornamental design for a timer toy, as shown and described.

DESCRIPTION

(56) **References Cited**
U.S. PATENT DOCUMENTS
D93,523 S * 10/1934 Schlenker D10/23
D94,895 S * 3/1935 Harris D14/170
D112,595 S * 12/1938 Bruce D10/23
D166,247 S * 3/1952 Dreyfuss D10/23
2,741,082 A * 4/1956 Elberg G04B 19/25366
368/37
D185,871 S * 8/1959 Reichow D10/10
D201,255 S * 6/1965 Czapar D10/102
D244,763 S * 6/1977 Stefaniak D10/98
D319,589 S * 9/1991 Unruh D10/23
D331,019 S * 11/1992 Linder D10/126
D419,617 S * 1/2000 Wise D21/531

FIG. 1 is a first perspective view of our timer toy.
FIG. 2 is a front view thereof.
FIG. 3 is a back view thereof.
FIG. 4 is a right side view thereof.
FIG. 5 is a left side view thereof.
FIG. 6 is a top view thereof.
FIG. 7 is a bottom view thereof; and,
FIG. 8 is a second perspective view thereof.
The broken lines illustrate portions of the timer toy that form no part of the claim.

1 Claim, 7 Drawing Sheets



(56)

References Cited

U.S. PATENT DOCUMENTS

D903,627 S * 12/2020 Xiao D14/204
D944,657 S * 3/2022 Dong D10/22
D944,658 S * 3/2022 Ostler D10/2
D947,808 S * 4/2022 Luo D24/231

OTHER PUBLICATIONS

Lovevery Toddler Play Kits, available on YouTube.com, date posted Jul. 9, 2020, [site visited Jan. 7, 2022], URL: <https://www.youtube.com/watch?v=8IKxmzYH3Vo> (Year: 2020).*

Lovevery Play Kit Unboxing, available on YouTube.com, date posted Mar. 1, 2021, [site visited Jan. 7, 2022], URL: <https://www.youtube.com/watch?v=-rVCc3pzOXs> (Year: 2021).*

Are the Lovevery Play Kits Worth It? Available on twomamabears.com, date published Dec. 10, 2021, [site visited Jan. 7, 2022], URL: <https://twomamabears.com/are-the-lovevery-play-kits-worth-it/> (Year: 2021).*

The Investigator Play Kit, available on lovevery.com, [site visited Jan. 7, 2022], URL: <https://lovevery.com/products/the-play-kits-the-investigator> (Year: 2022).*

Best Learning Clock, available on amazon.com, [site visited Jan. 7, 2022], URL: <https://www.amazon.com/BEST-LEARNING-Learning-Clock-Educational/dp/B075JB3N48/> (Year: 2022).*

Melissa & Doug Turn & Tell Wooden Clock, available on Target.com, [site visited Jan. 7, 2022], URL: <https://www.target.com/p/melissa-38-doug-turn-38-tell-wooden-clock-educational-toy-with-12-reversible-time-cards/-/A-15576152> (Year: 2022).*

Wooden Clock, available on Etsy.com, oldest customer review Mar. 22, 2017, [site visited Jan. 7, 2022], URL: <https://www.etsy.com/listing/1113314288/> (Year: 2017).*

* cited by examiner

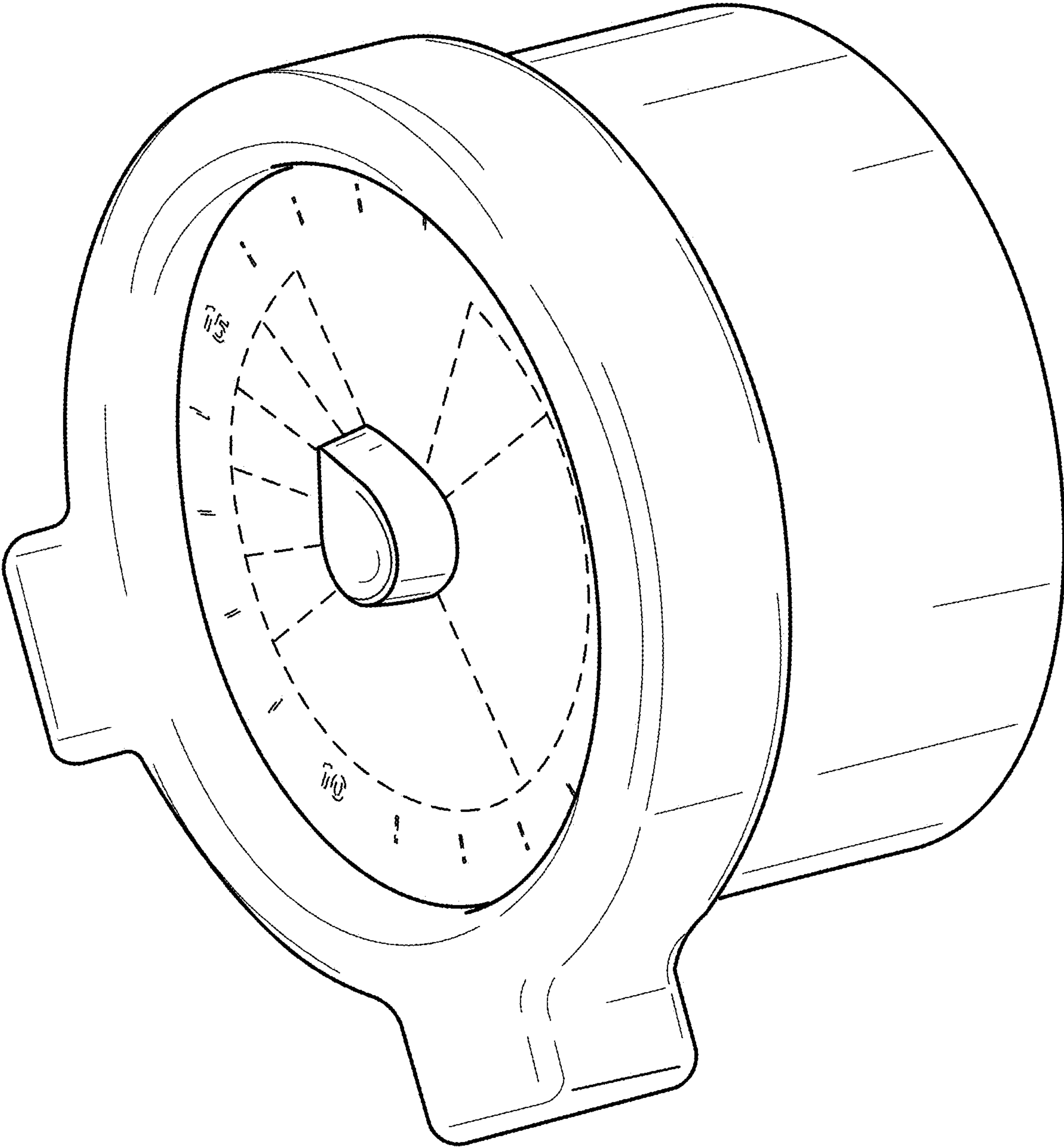


FIG. 1

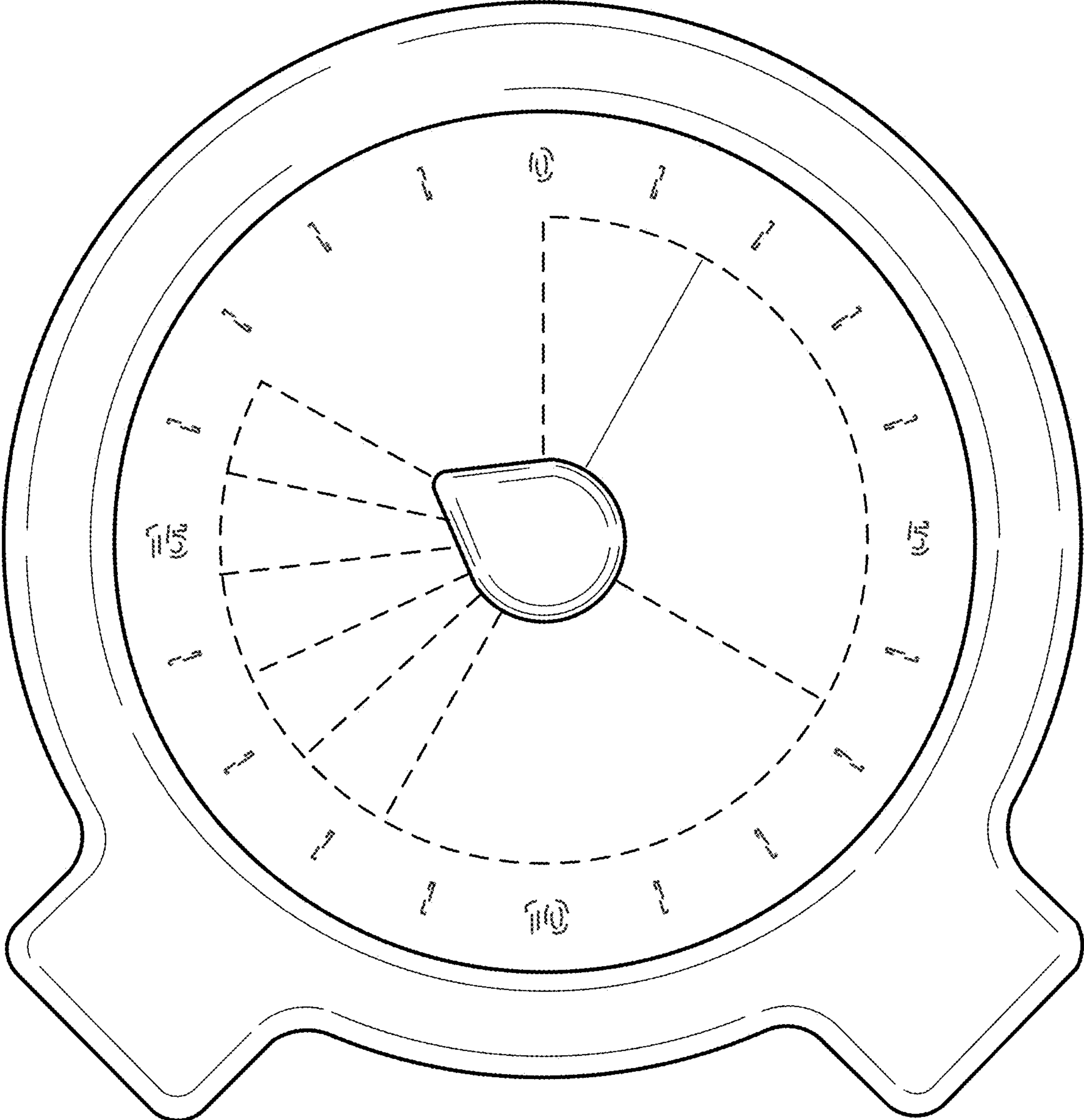


FIG. 2

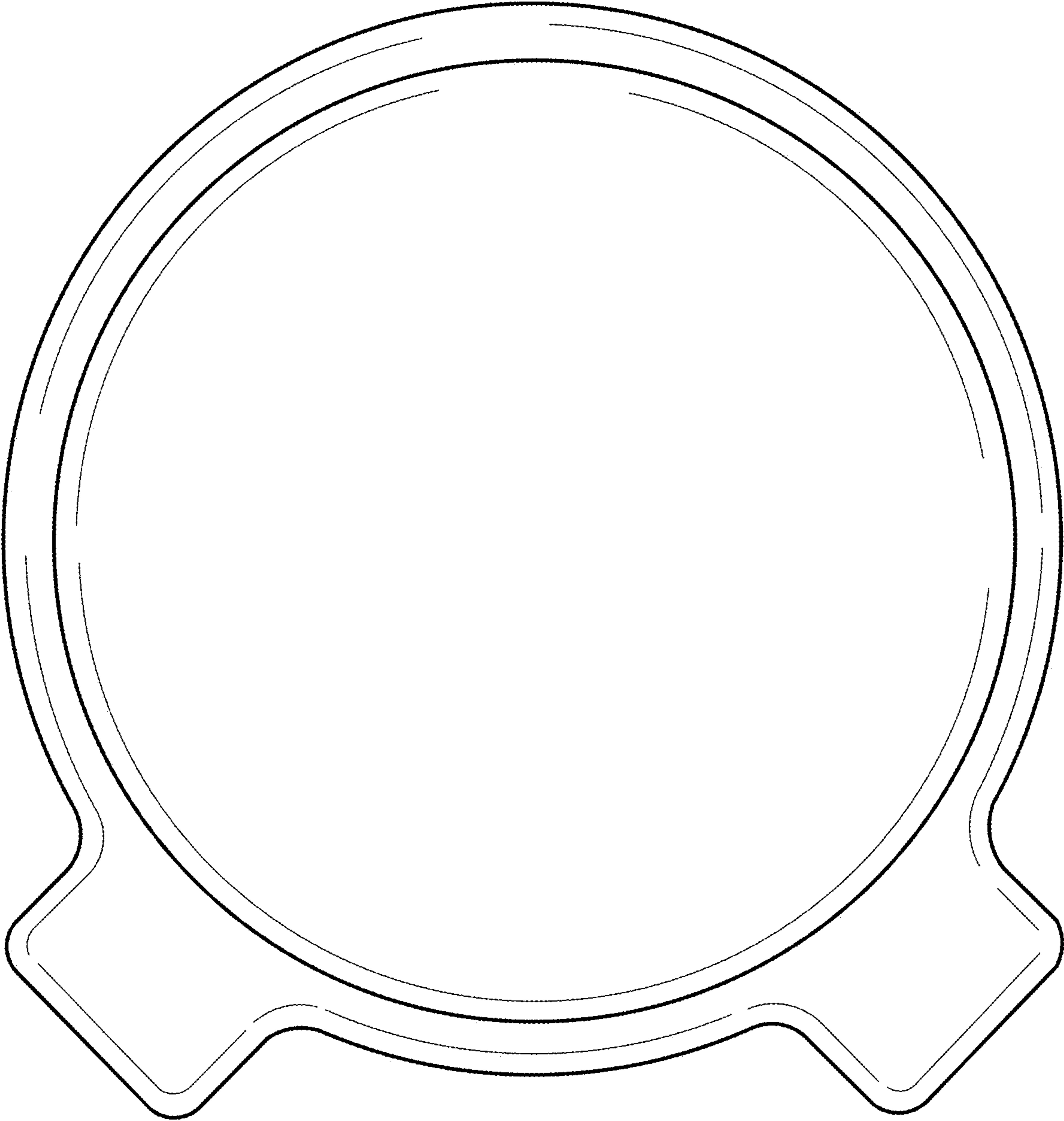


FIG. 3

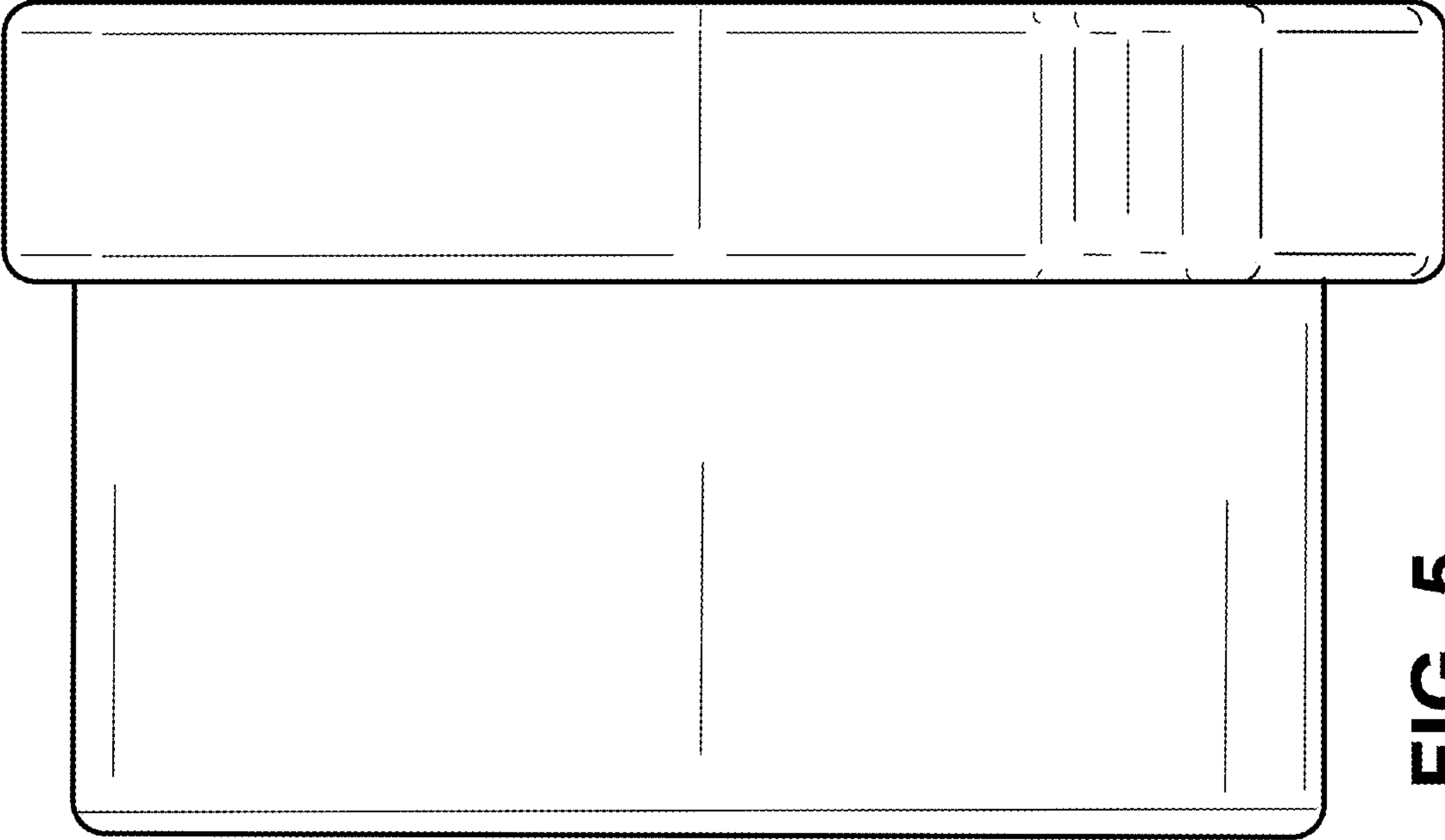


FIG. 5

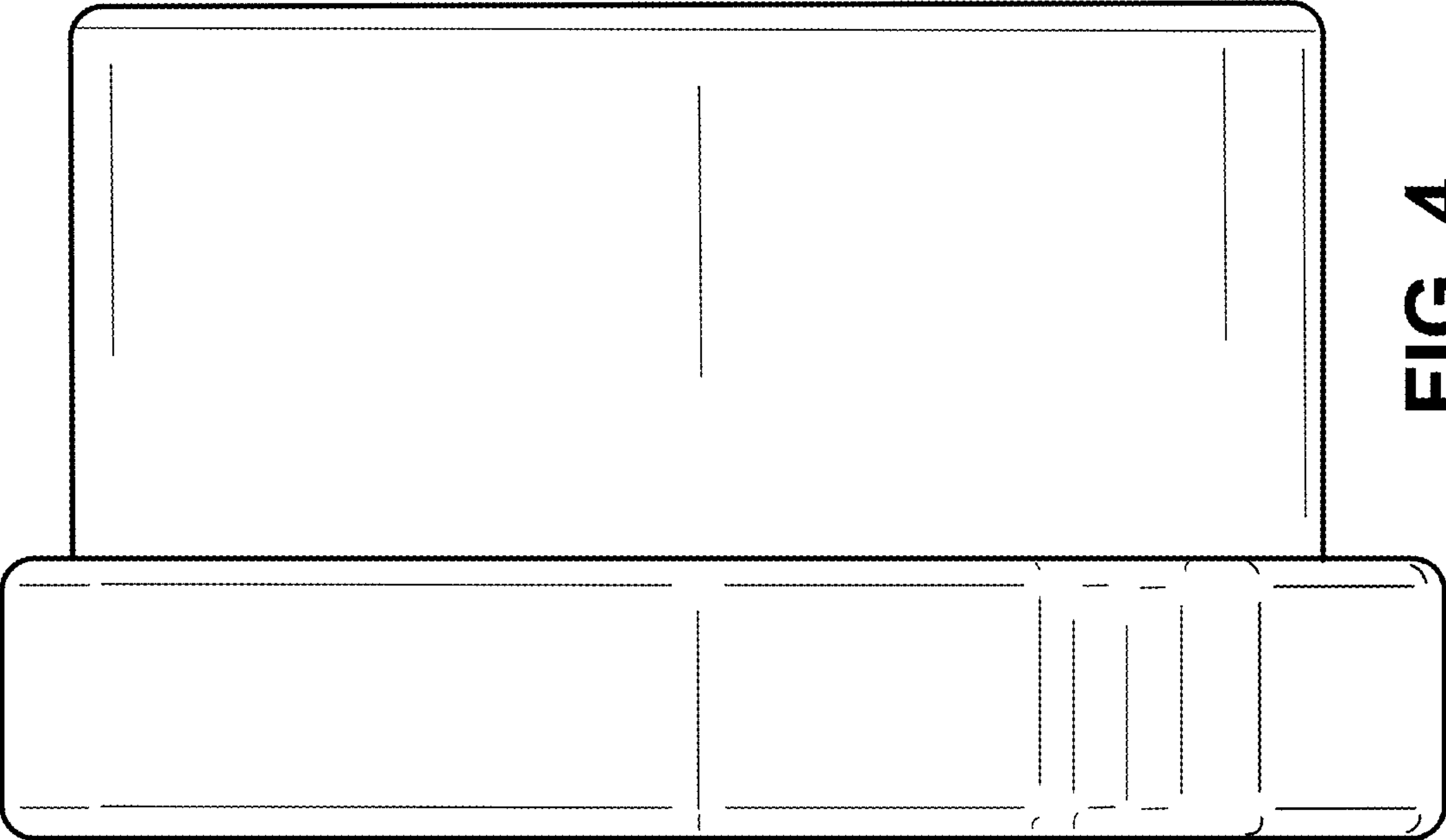


FIG. 4

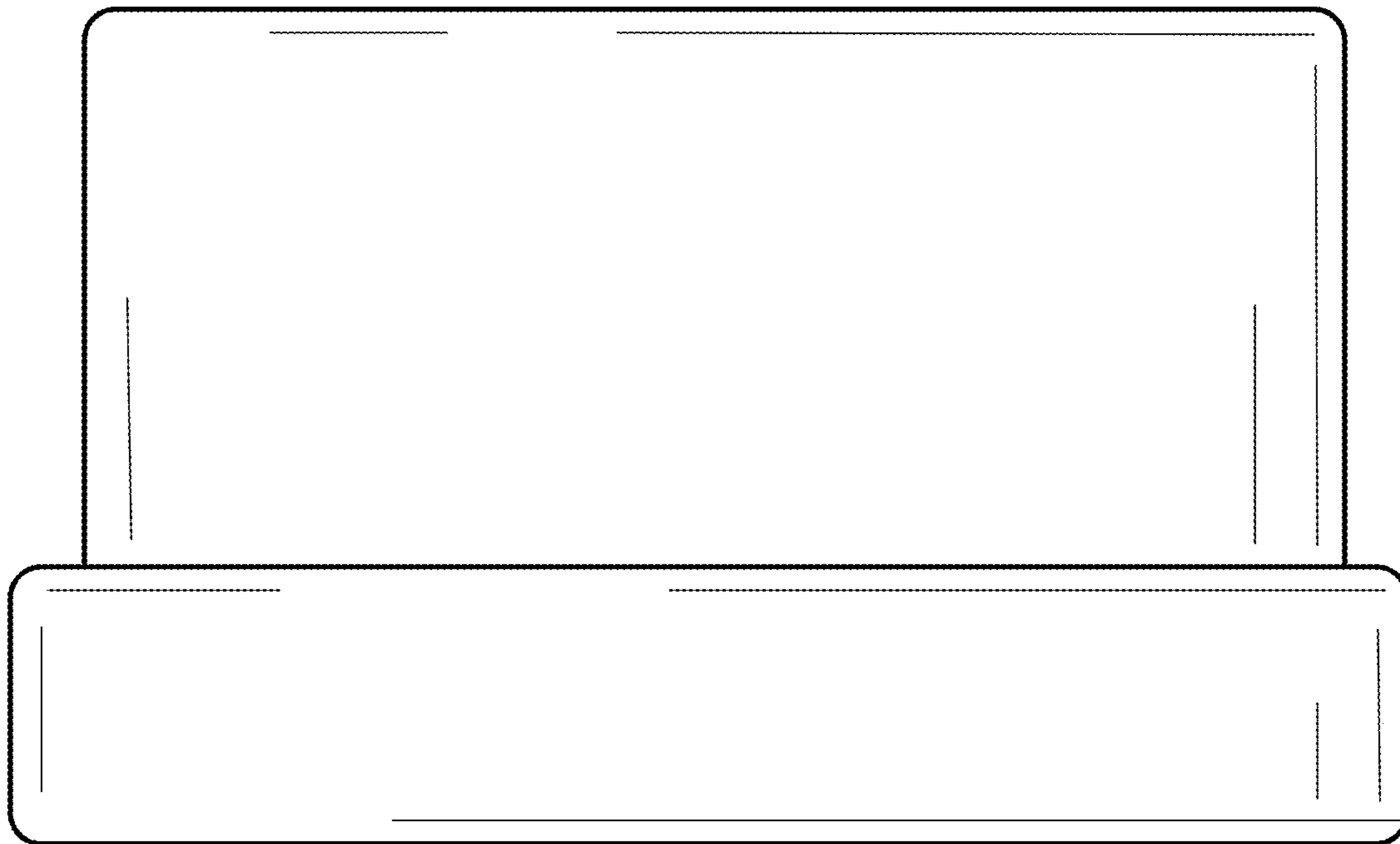


FIG. 6

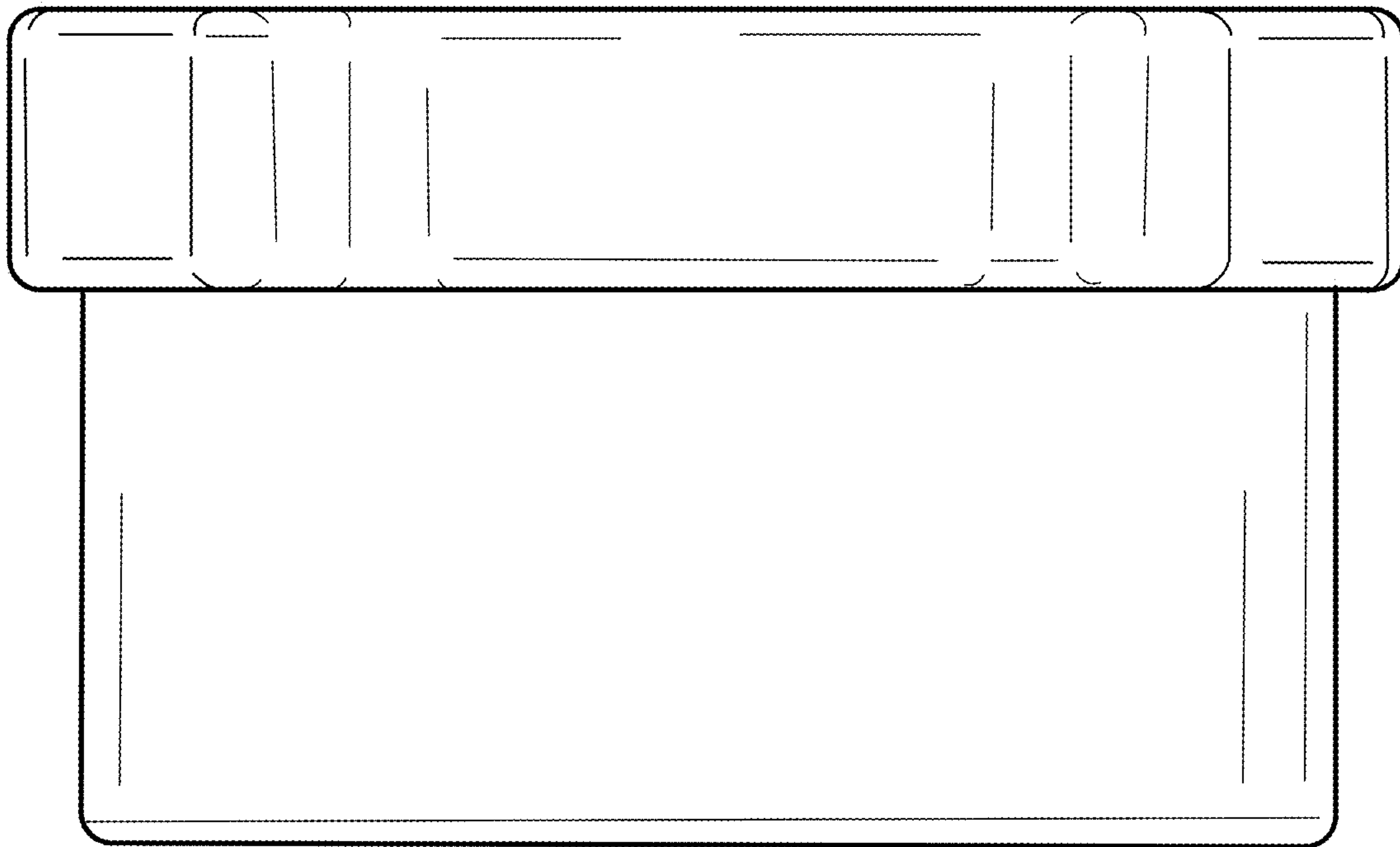


FIG. 7

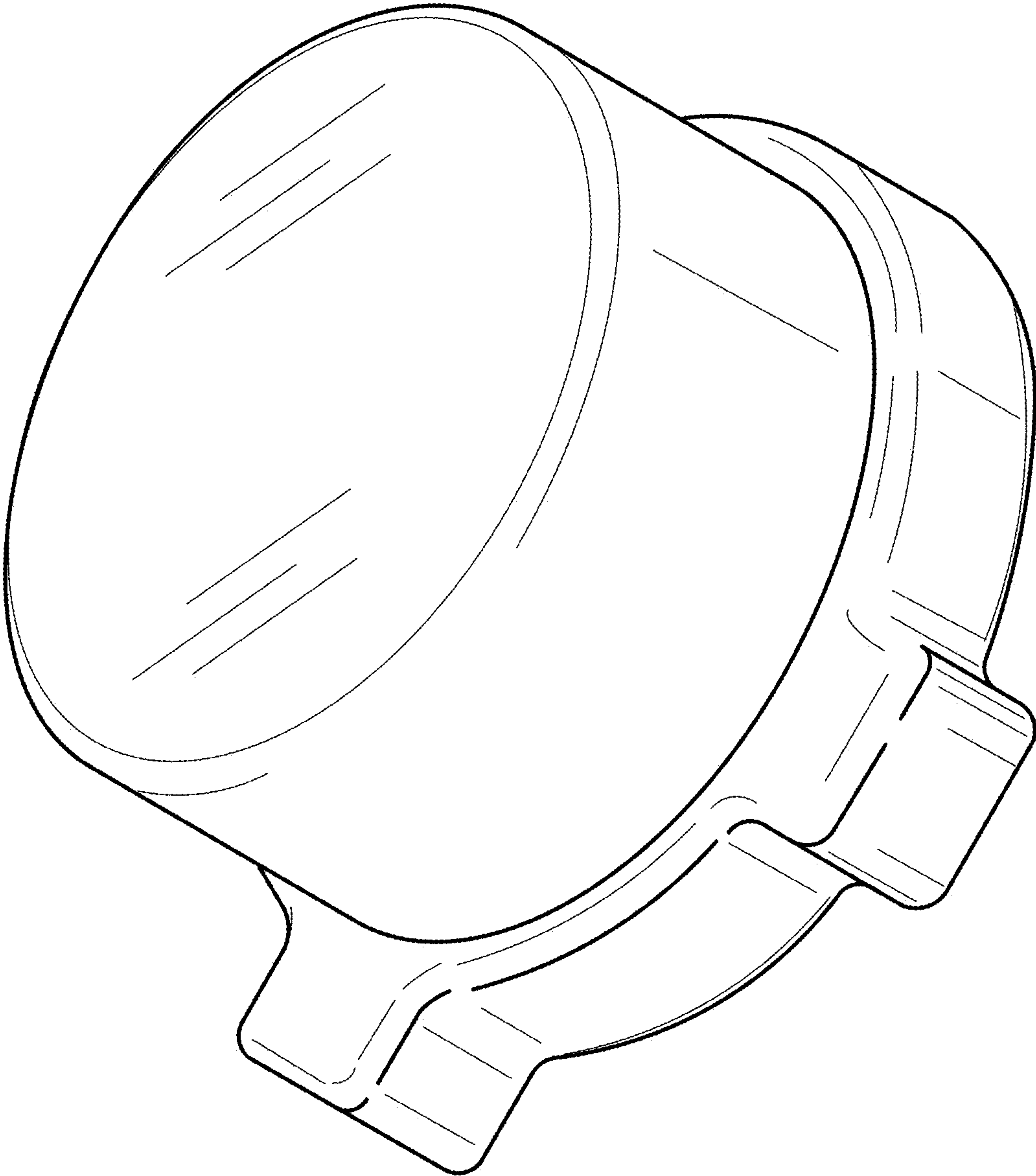


FIG. 8