



US00D986345S

(12) **United States Design Patent** (10) **Patent No.:** **US D986,345 S**
Feng (45) **Date of Patent:** **** May 16, 2023**

(54) **TOY BLOCK**
(71) Applicant: **Xin Feng**, Baulkham Hills (AU)
(72) Inventor: **Xin Feng**, Baulkham Hills (AU)
(**) Term: **15 Years**
(21) Appl. No.: **29/788,248**
(22) Filed: **Jun. 21, 2021**
(51) **LOC (14) Cl.** **21-01**
(52) **U.S. Cl.**
USPC **D21/484**
(58) **Field of Classification Search**
USPC D21/484-505
CPC A63H 33/04; A63H 33/06; A63H 33/062;
A63H 33/08; A63H 33/082; A63H
33/084; A63H 33/086; A63H 33/088
See application file for complete search history.

(56) **References Cited**
U.S. PATENT DOCUMENTS
D262,045 S * 11/1981 Nakao D21/495
4,306,373 A * 12/1981 Chatani A63H 33/088
446/124
D272,167 S * 1/1984 Chatani D21/499
D328,929 S * 8/1992 Jarnros D21/503
D344,769 S * 3/1994 Poulsen D21/502

5,853,314 A * 12/1998 Bora A63H 33/086
446/124
D545,917 S * 7/2007 Sorensen D21/484
D616,047 S * 5/2010 Christensen D21/502
D758,501 S * 6/2016 Sorensen D21/495
D781,964 S * 3/2017 Soucie D21/495
D797,203 S * 9/2017 Soucie D21/495
D835,726 S * 12/2018 Ross D21/495
D835,727 S * 12/2018 Ross D21/495
D841,101 S * 2/2019 Ross D21/500

* cited by examiner

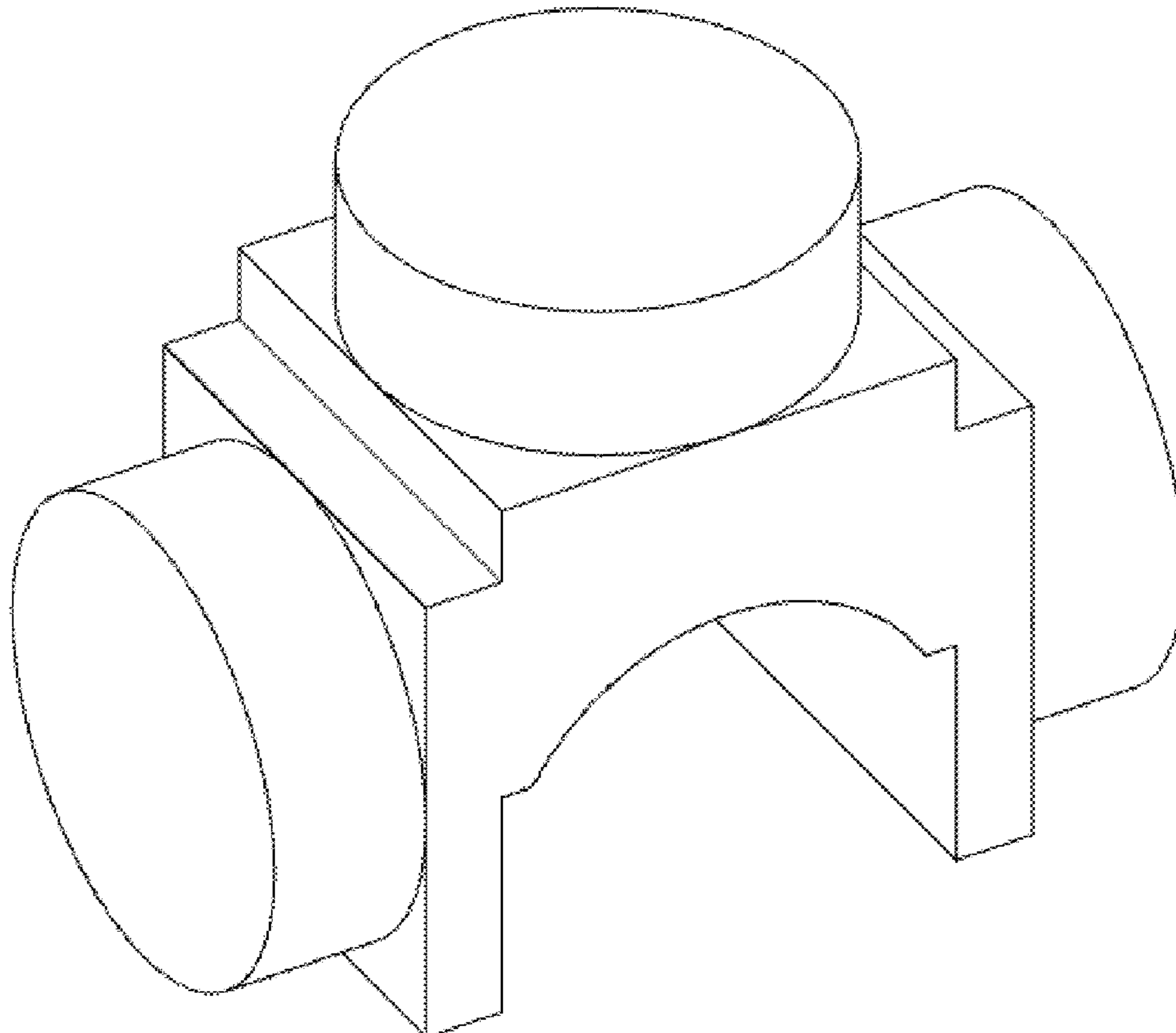
Primary Examiner — Cynthia M. Chin

(57) **CLAIM**
The ornamental design for a toy block, as shown and described.

DESCRIPTION

FIG. 1 is a front view of a toy block showing my new design;
FIG. 2 is a Right view thereof;
FIG. 3 is a left view thereof;
FIG. 4 is a top view thereof;
FIG. 5 is a bottom view thereof;
FIG. 6 is a back view thereof;
FIG. 7 is a perspective view from top front right thereof;
FIG. 8 is a perspective view from top front left thereof;
FIG. 9 is a perspective view from bottom back right thereof;
and,
FIG. 10 is a perspective view from bottom back left thereof.

1 Claim, 10 Drawing Sheets



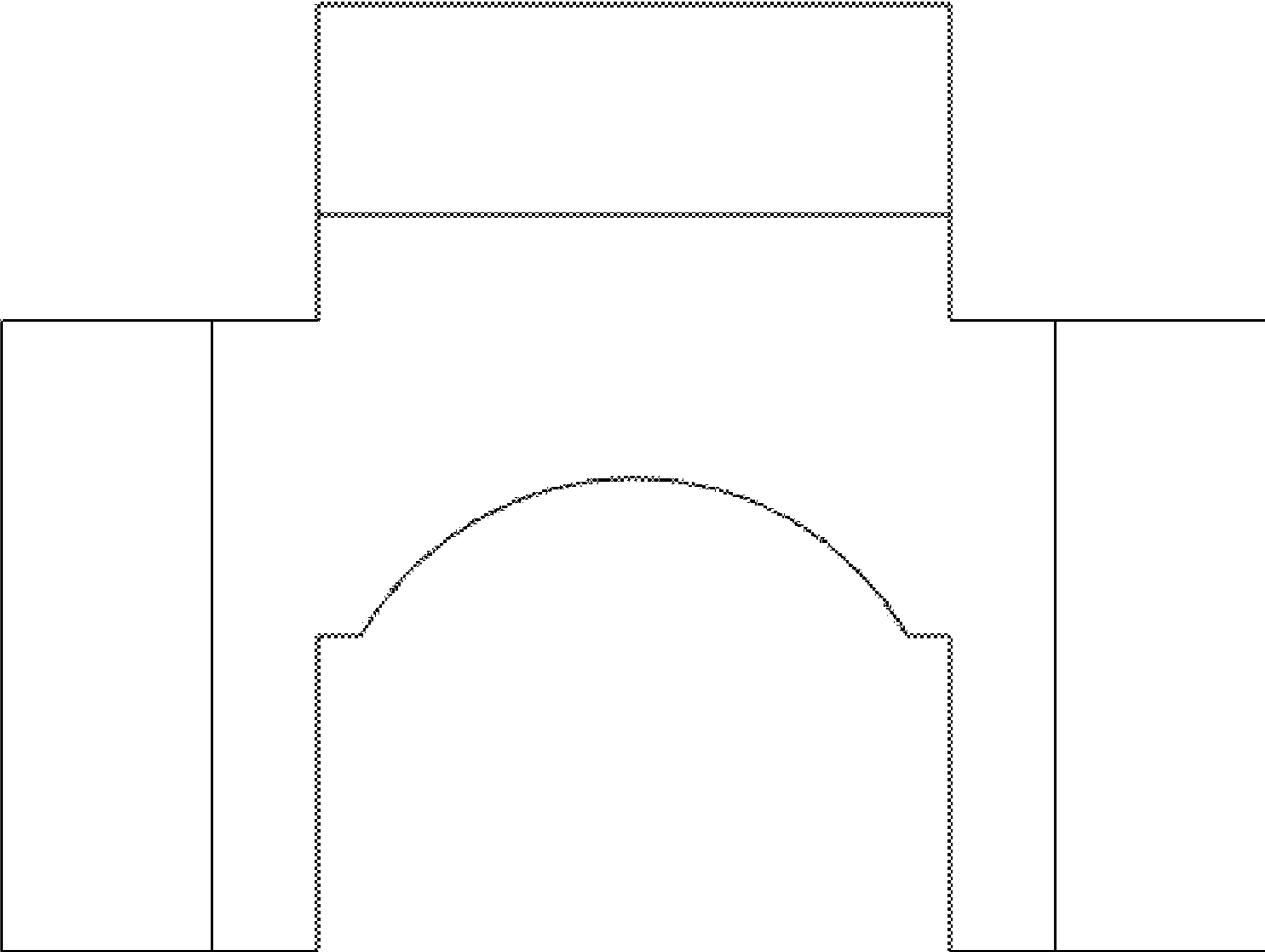


Figure 1

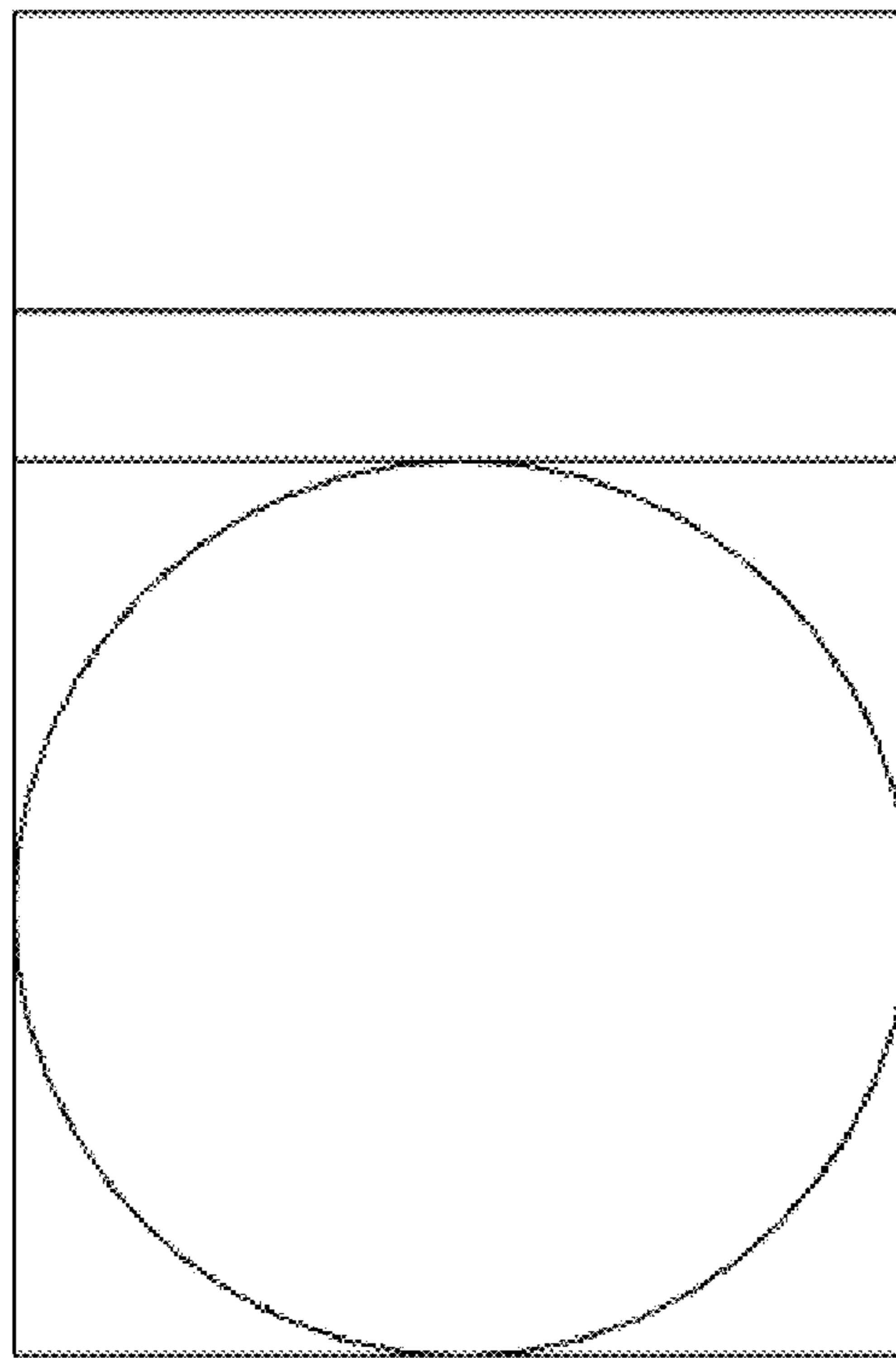


Figure 2

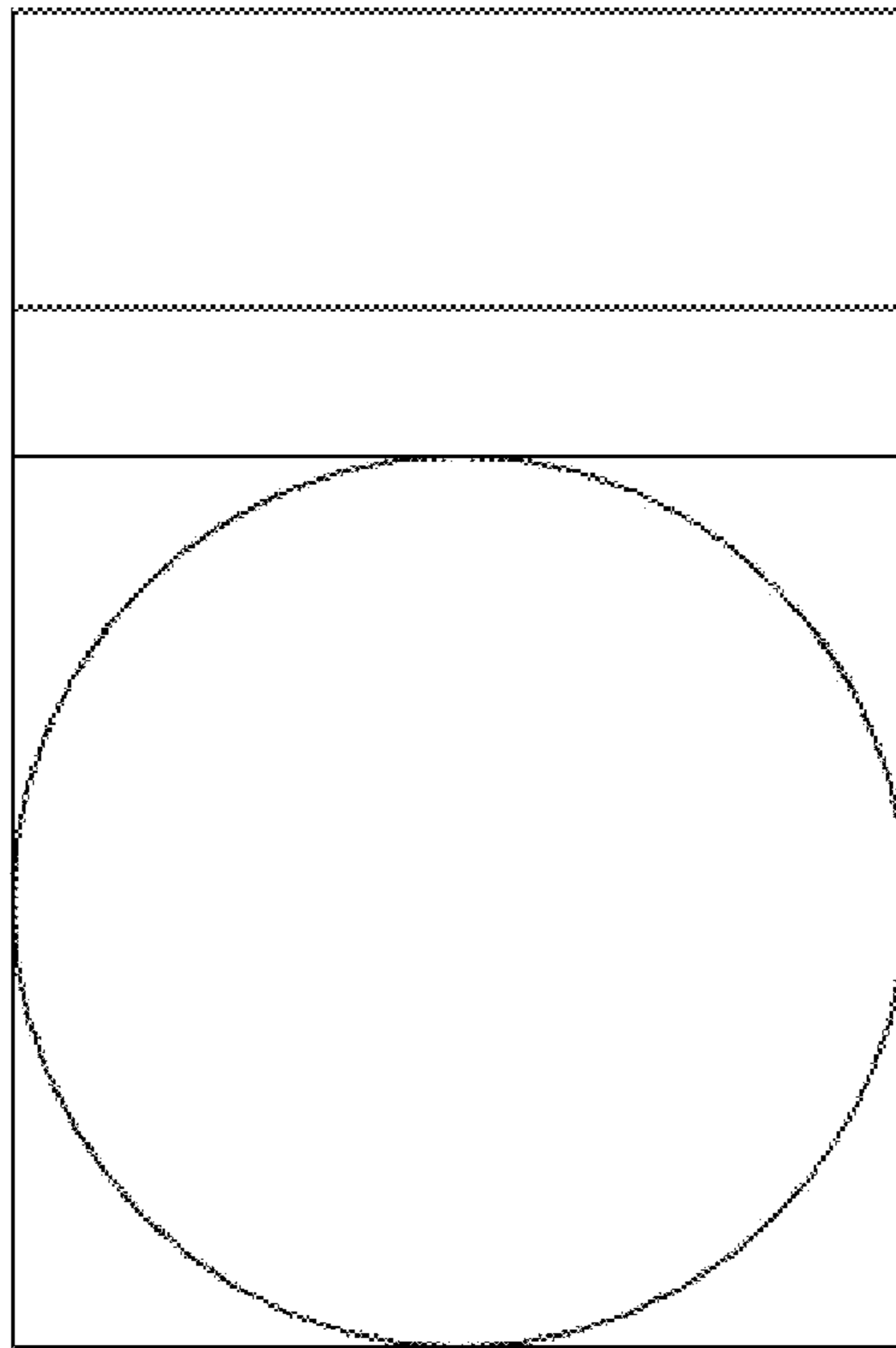


Figure 3

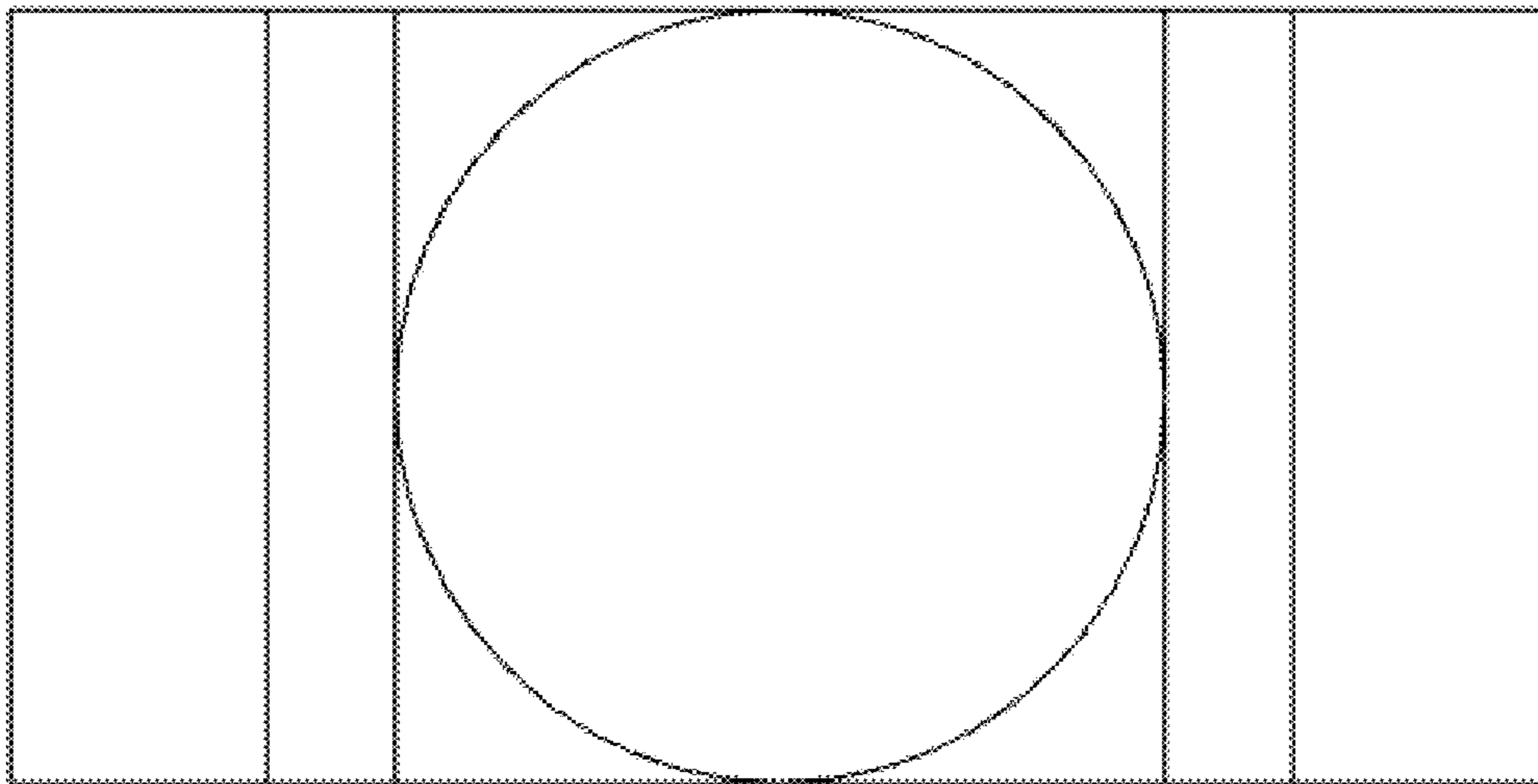


Figure 4

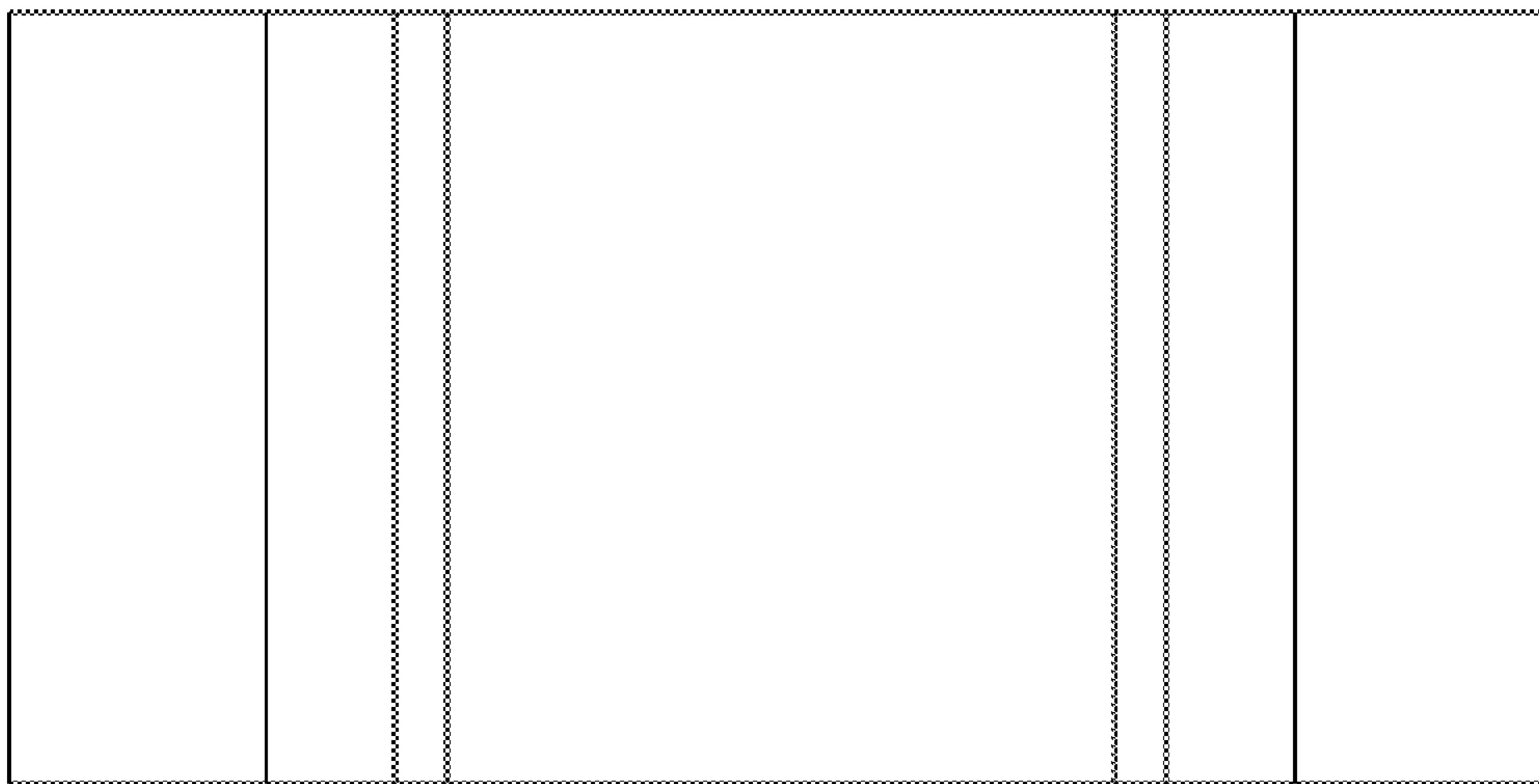


Figure 5

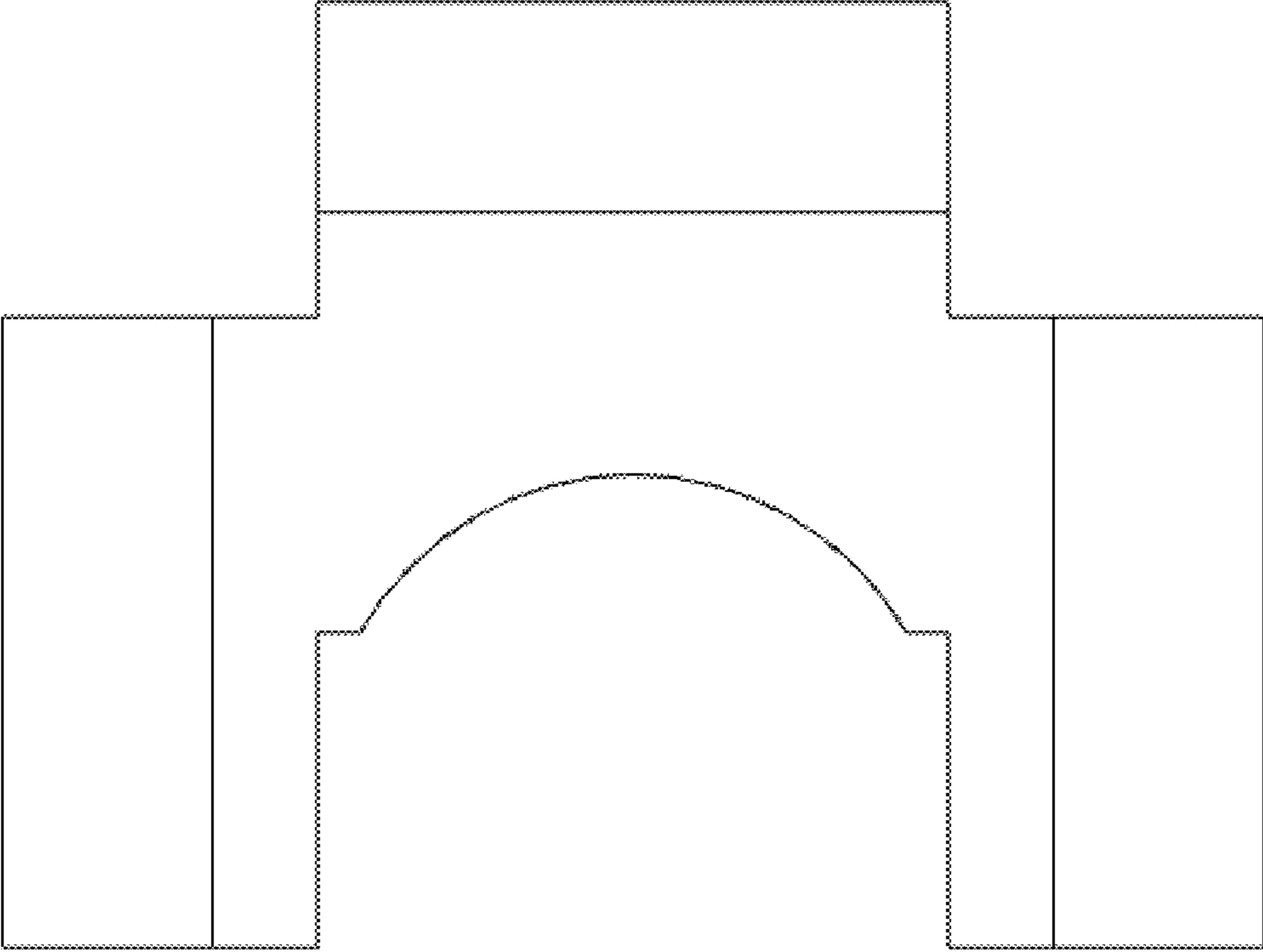


Figure 6

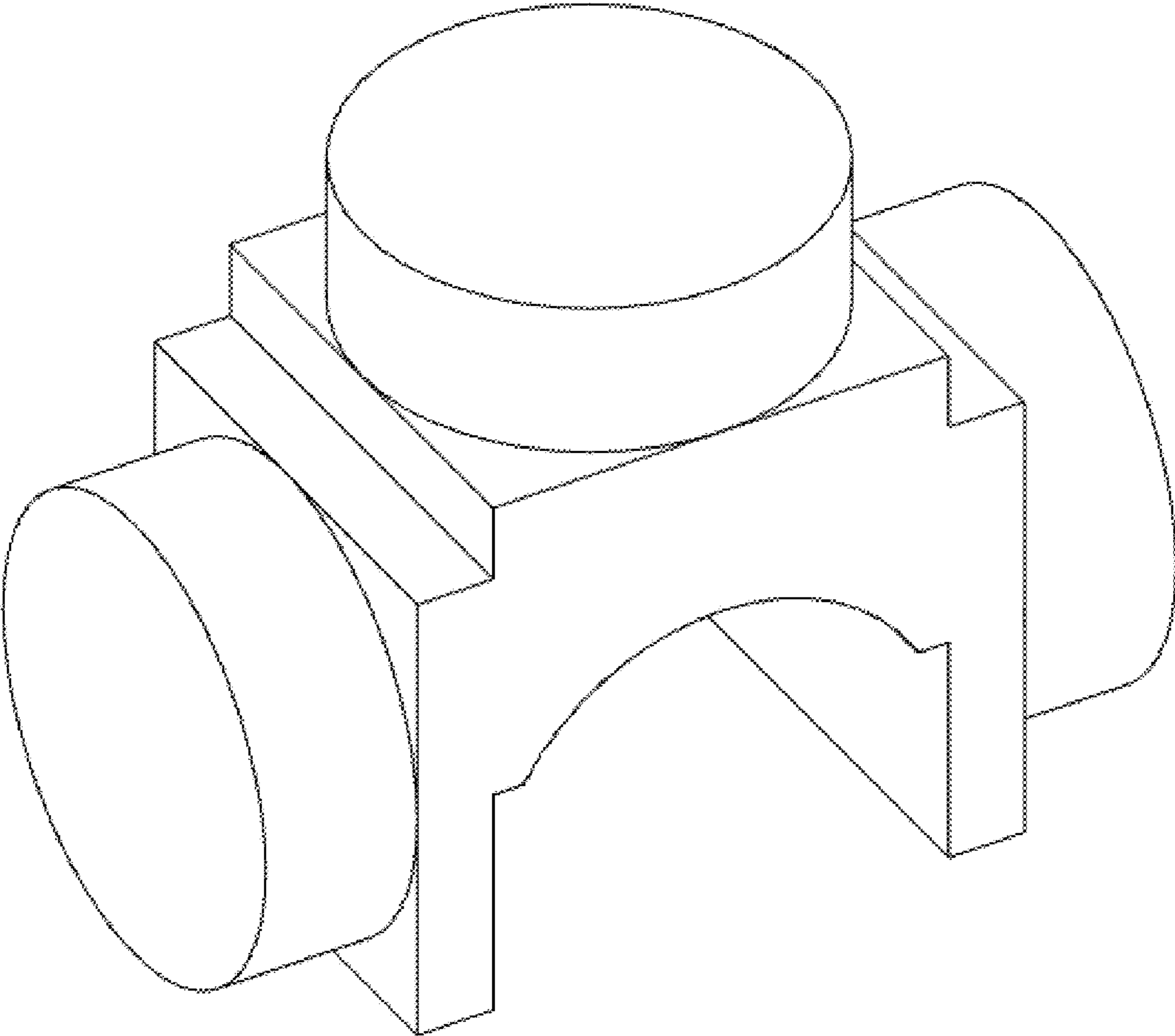


Figure 7

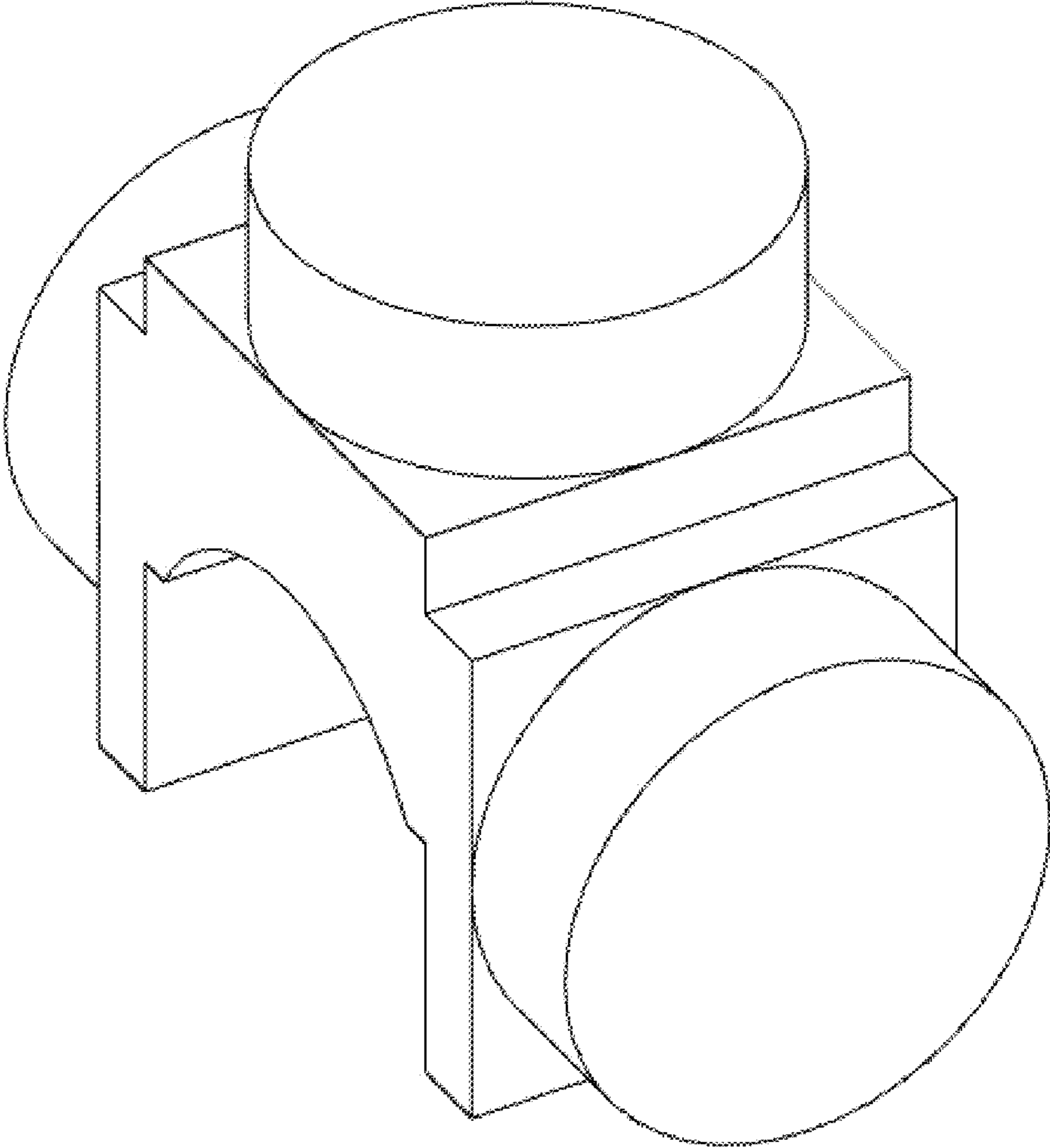


Figure 8

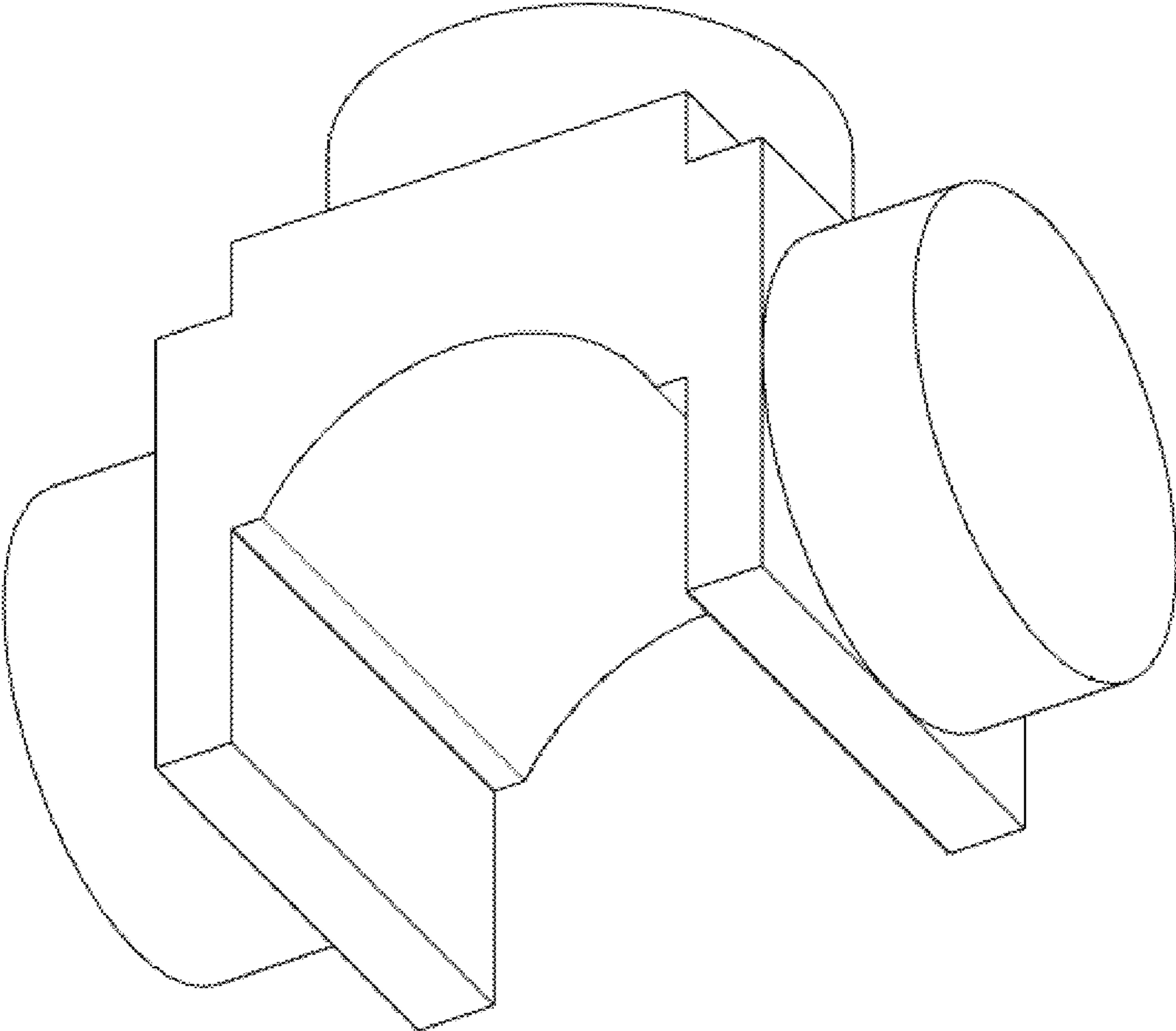


Figure 9

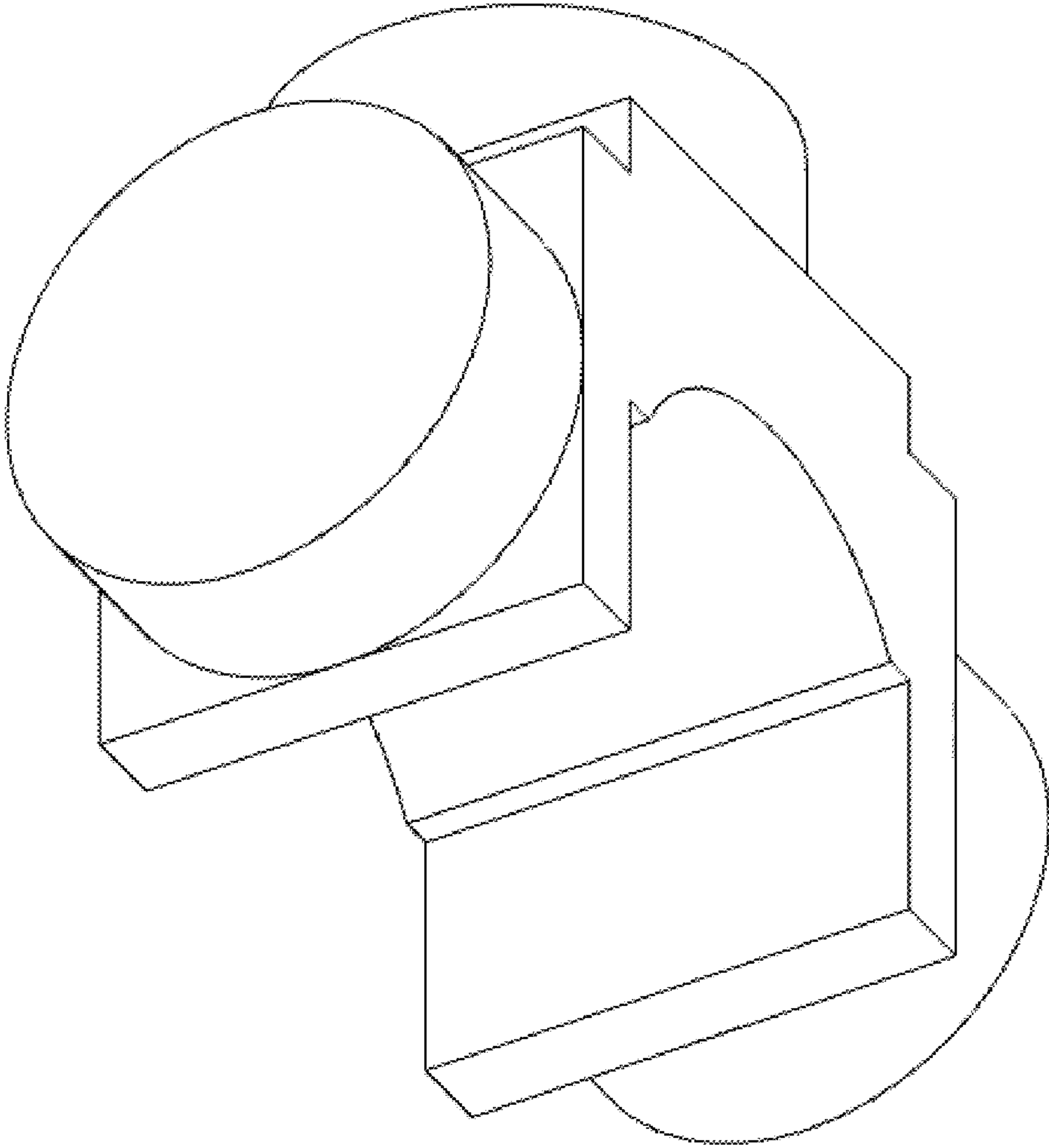


Figure 10