



US00D986341S

(12) **United States Design Patent**  
**Chen**

(10) **Patent No.:** **US D986,341 S**

(45) **Date of Patent:** **\*\* May 16, 2023**

(54) **PEDAL PIANO TOY**

(71) Applicant: **Bingling Chen**, Shantou (CN)

(72) Inventor: **Bingling Chen**, Shantou (CN)

(\*\*) Term: **15 Years**

(21) Appl. No.: **29/781,500**

(22) Filed: **Apr. 30, 2021**

(30) **Foreign Application Priority Data**

Dec. 18, 2020 (CN) ..... 202030781277.9

(51) **LOC (14) Cl.** ..... **21-01**

(52) **U.S. Cl.**

USPC ..... **D21/405**; D21/475

(58) **Field of Classification Search**

USPC ..... D21/398, 405, 455, 465, 467, 475, 476,  
D21/409, 410, 513; D17/1, 2, 99;  
D19/59, 60

CPC ..... A63H 5/00; A63H 33/00; A63H 33/26;  
A63H 33/30; A47D 13/00; A47D 13/06;  
A47D 13/061; A47D 15/00; A47D  
15/003; A47D 15/005; A47D 15/008

See application file for complete search history.

(56) **References Cited**

**U.S. PATENT DOCUMENTS**

D315,178 S *	3/1991	Takahashi	.....	D21/409
D318,305 S *	7/1991	Takahashi	.....	D21/410
D322,640 S *	12/1991	Billings	.....	D17/1
D359,521 S *	6/1995	Kino	.....	D21/410
D361,798 S *	8/1995	Kino	.....	D21/409
D362,469 S *	9/1995	Kino	.....	D21/409
D451,970 S *	12/2001	Chan	.....	D21/475
D487,118 S *	2/2004	Elias	.....	D21/409
D919,711 S *	5/2021	Zhang	.....	D21/409

2001/0003695 A1\* 6/2001 Tell ..... A63H 33/006  
446/227

2004/0048547 A1\* 3/2004 Gubitosi ..... A63H 33/006  
446/173

2013/0065480 A1\* 3/2013 Elson ..... A63H 33/006  
446/227

**OTHER PUBLICATIONS**

Gilobaby Play Mat, Toddler Gym Mat With Piano, newegg.com, date first available Aug. 31, 2021 [online], [site visited Oct. 7, 2022], Available from the internet URL: <https://www.newegg.com/p/06X-03B8-00002> (Year: 2021).\*

Gilobaby Baby Gym Play Mat, 4-in-1 Deluxe Kick and Play Piano, Amazon.com, customer review oldest date Aug. 15, 2022 [online], [site visited Oct. 7, 2022], Available from the internet URL: <https://www.amazon.com/GILOBABY-Activity-Musical-Toddlers-Birthday/dp/B09PBGXWJR> (Year: 2022).\*

(Continued)

*Primary Examiner* — Samantha Q Lawrence

*Assistant Examiner* — Thanh Luu Wong

(74) *Attorney, Agent, or Firm* — True Shepherd LLC;  
Andrew C. Cheng

(57)

**CLAIM**

The ornamental design for a pedal piano toy, as shown and described.

**DESCRIPTION**

FIG. 1 is a perspective view of a pedal piano toy showing my new design;

FIG. 2 is a front view thereof;

FIG. 3 is a rear view thereof;

FIG. 4 is a left side view thereof;

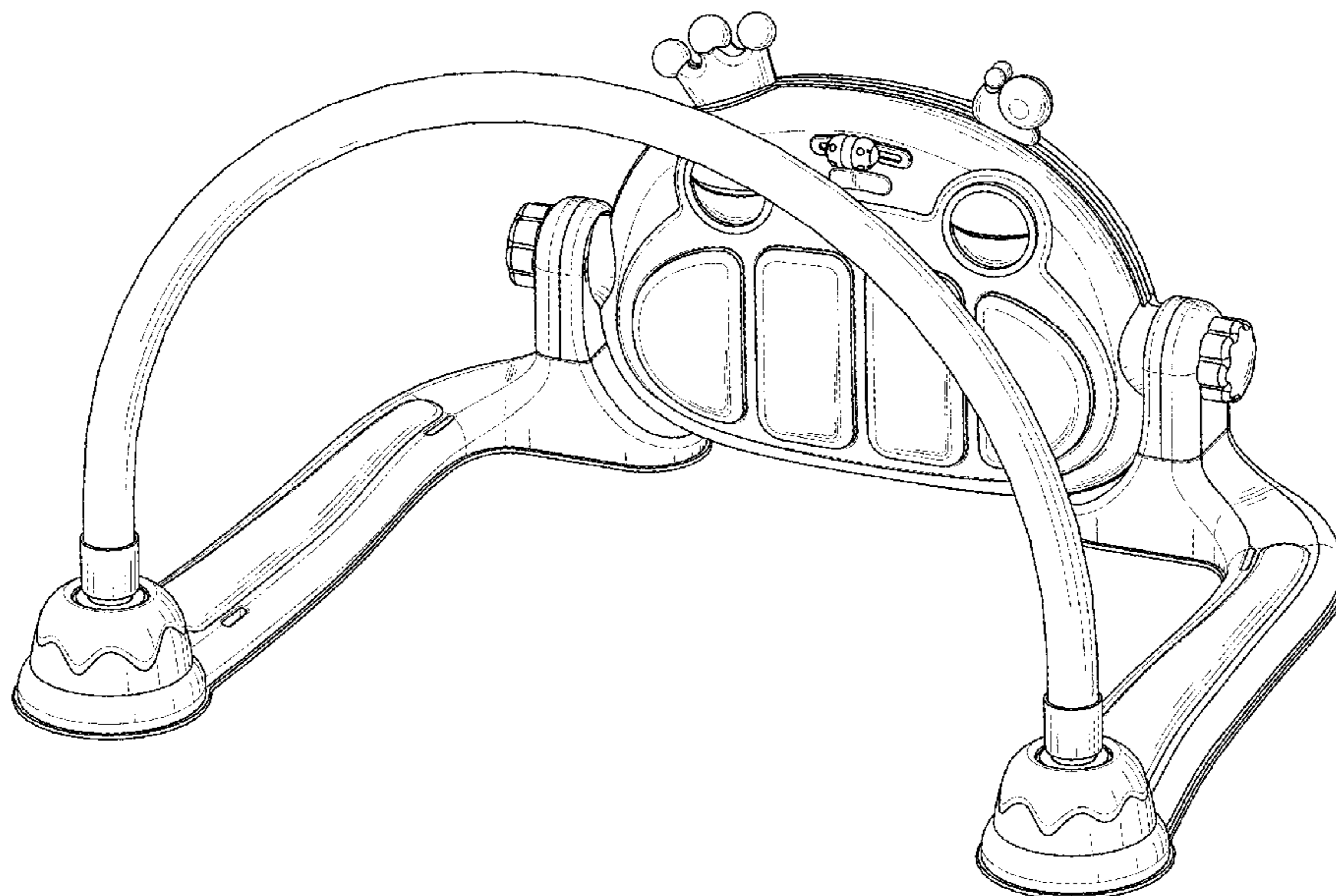
FIG. 5 is a right side view thereof;

FIG. 6 is a top plan view thereof; and,

FIG. 7 is a bottom plan view thereof.

The broken lines depict portions of the pedal piano toy that form no part of the claimed design. The dash-dot line is a boundary line and forms no part of the claim.

**1 Claim, 7 Drawing Sheets**



(56)

**References Cited**

OTHER PUBLICATIONS

Gilobaby Baby Gym Play Mat, Toddler Kick N Play Piano Activity Gym Mat with Rattles, Walmart.com, [online], [site visited Oct. 7, 2022], Available from the internet URL: <https://www.walmart.com/ip/GILOBABY-Baby-Gym-Play-Mat-Toddler-Kick-Play-Piano-Activity-Gym-Mat-with-Rattles-for-Boys-Girls/523439337> (Year: 2022).\*

2022 New High Quality Frog Prince Pedal Piano, alibaba.com, [online], [site visited Oct. 7, 2022], Available from the internet URL: [https://www.alibaba.com/product-detail/2022-New-High-Quality-Frog-Prince\\_1600524887002.html](https://www.alibaba.com/product-detail/2022-New-High-Quality-Frog-Prince_1600524887002.html) (Year: 2022).\*

\* cited by examiner

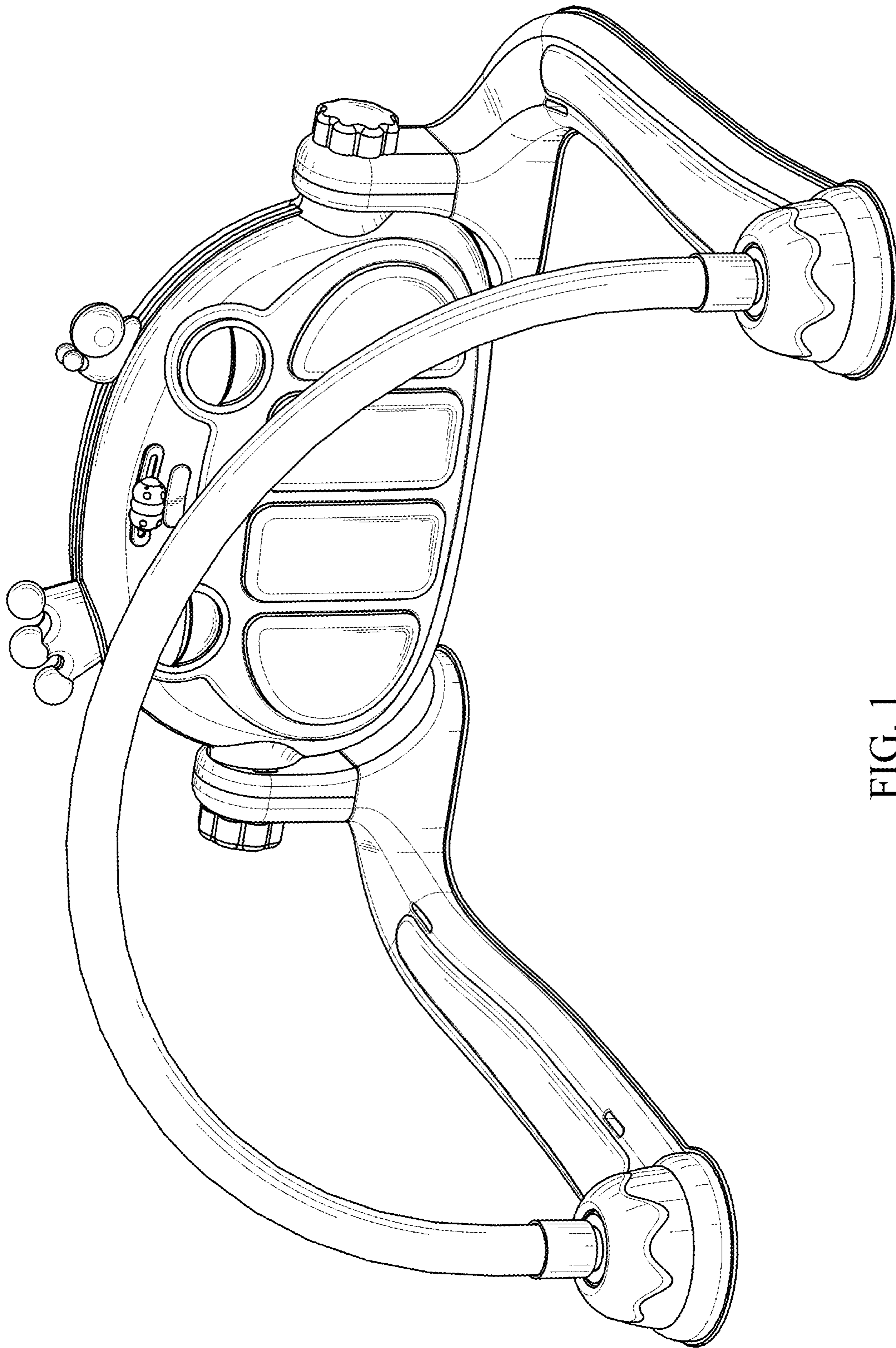


FIG. 1

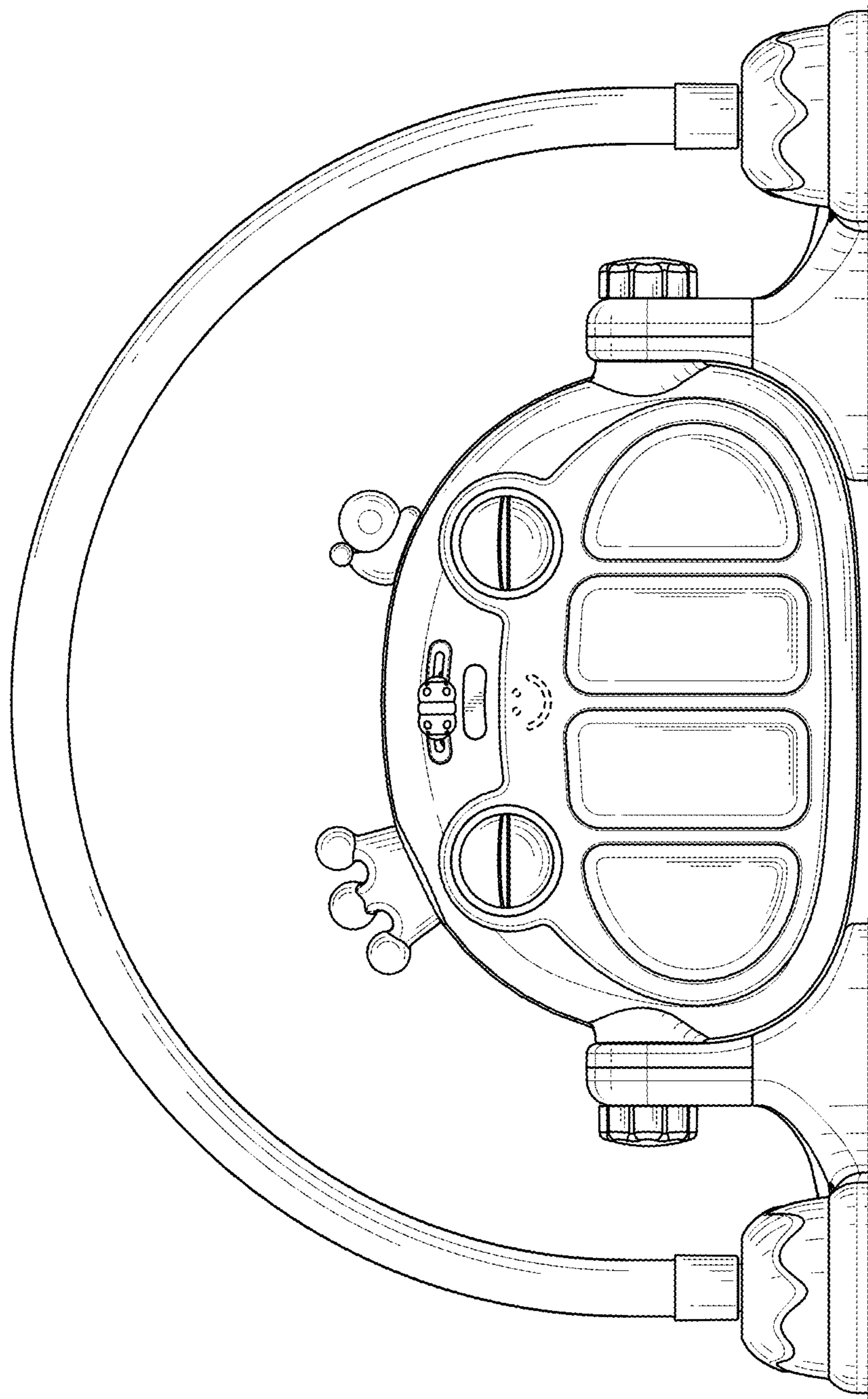


FIG. 2

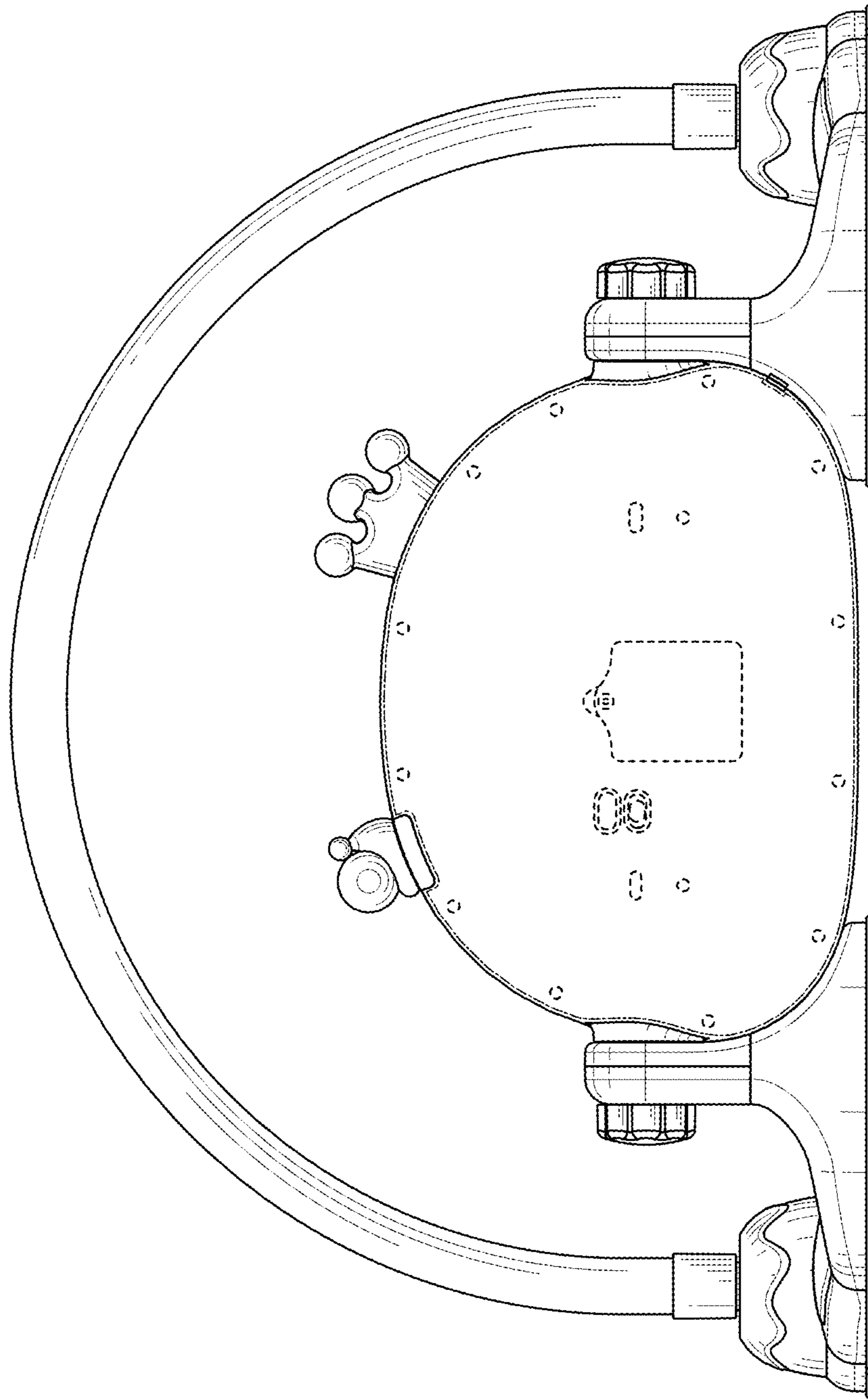


FIG. 3

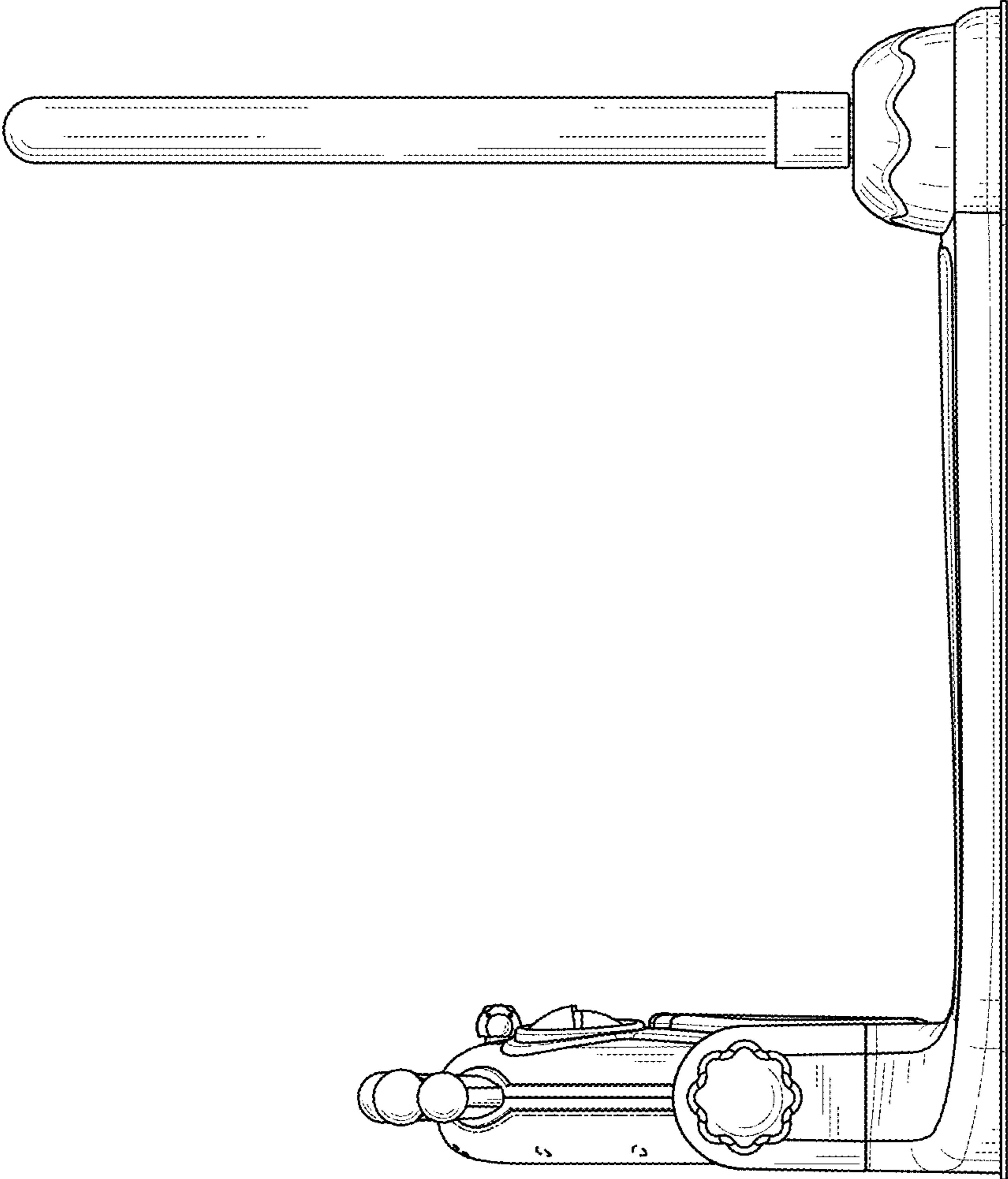


FIG. 4

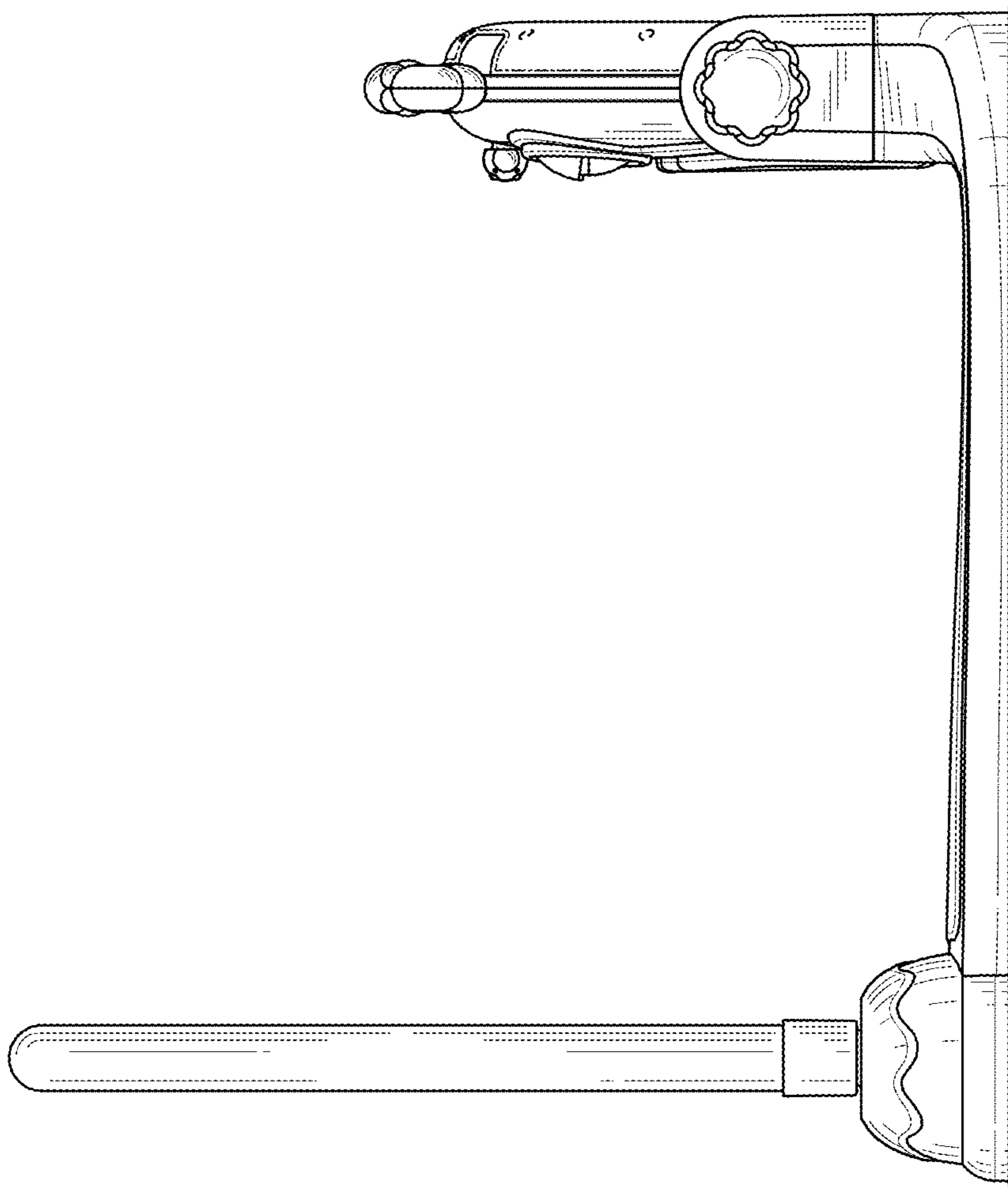


FIG. 5

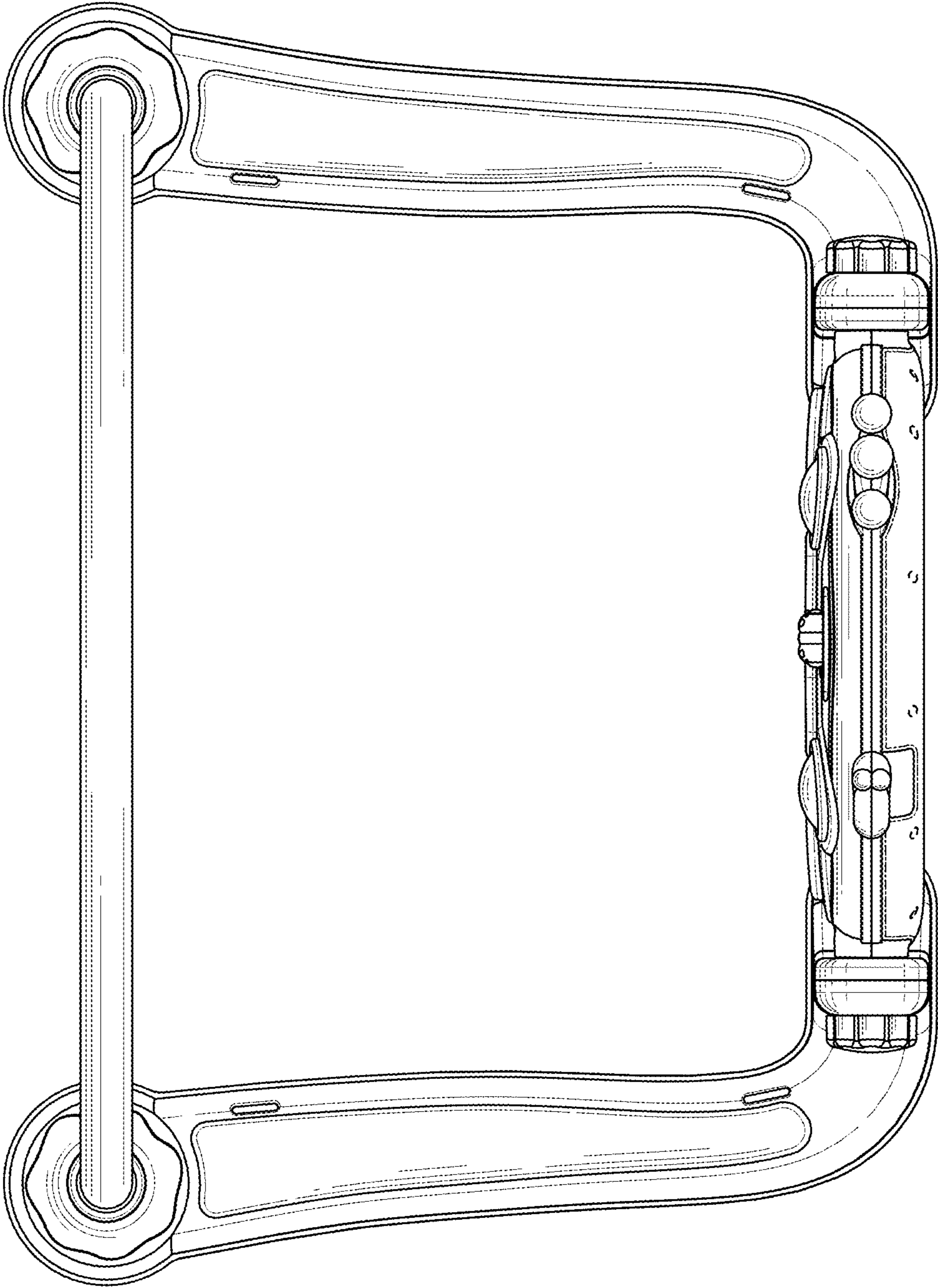


FIG. 6



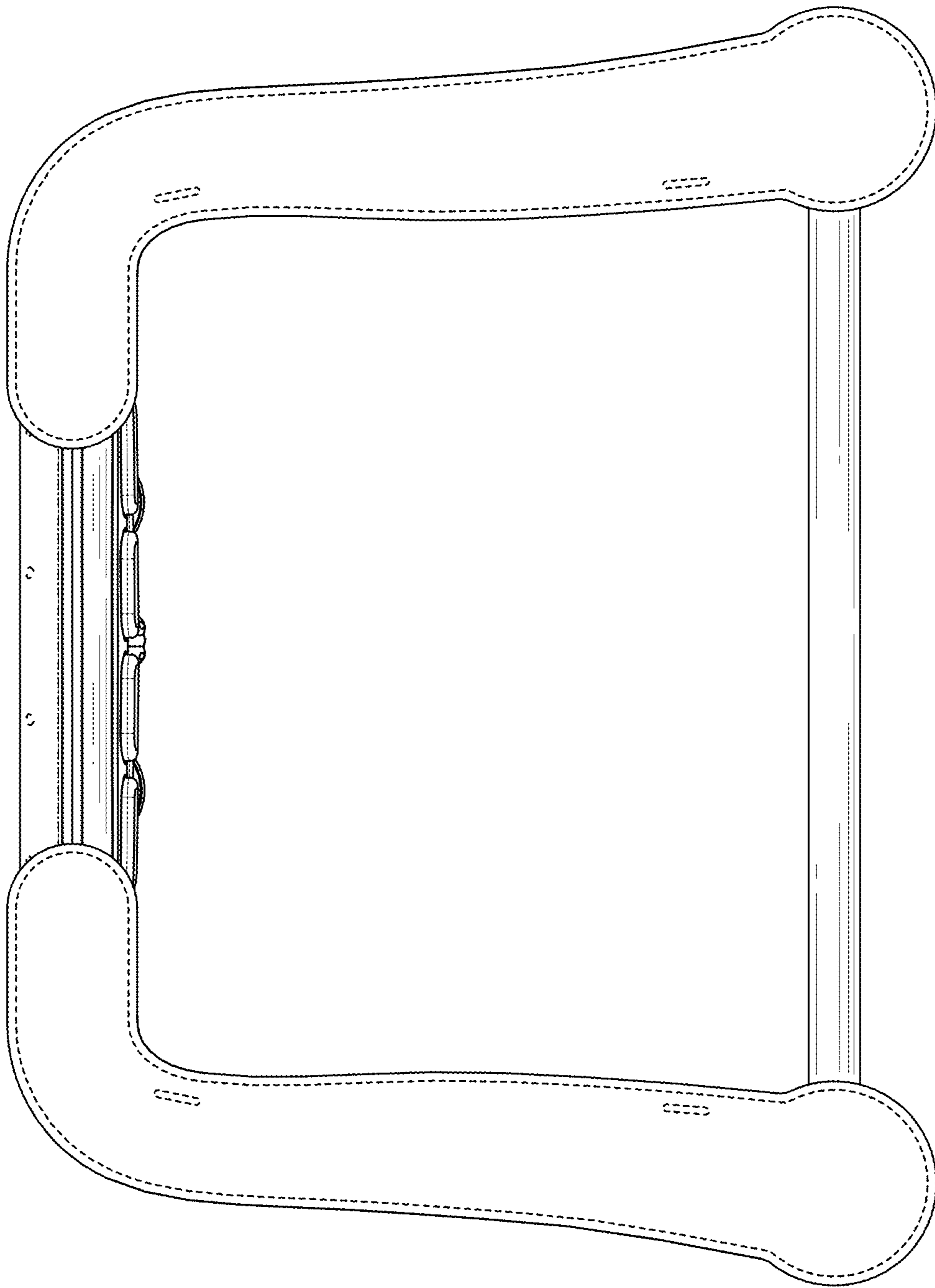


FIG. 7