



US00D986340S

(12) **United States Design Patent** (10) **Patent No.:** **US D986,340 S**
Wang (45) **Date of Patent:** **** May 16, 2023**

(54) **BUBBLE GUN**
(71) Applicant: **XiaoWei Wang**, Shenzhen (CN)
(72) Inventor: **XiaoWei Wang**, Shenzhen (CN)
(**) Term: **15 Years**
(21) Appl. No.: **29/870,984**
(22) Filed: **Feb. 9, 2023**
(51) **LOC (14) Cl.** **21-01**
(52) **U.S. Cl.**
USPC **D21/401**
(58) **Field of Classification Search**
USPC D21/398, 401, 402, 405, 455, 468, 483,
D21/513, 514, 516, 523, 525, 526, 528,
D21/532; D23/308, 332, 337, 370, 376,
D23/379, 382, 383
CPC A63H 33/28; A63H 29/22
See application file for complete search history.

D962,349 S 8/2022 Gao
11,446,584 B2 * 9/2022 Yang A63H 33/28
D971,339 S * 11/2022 Zhou D21/401
2003/0073374 A1 * 4/2003 Thai A63H 33/28
446/15
2003/0199221 A1 * 10/2003 Thai A63H 33/28
446/15
2004/0259458 A1 * 12/2004 Fusco A63H 33/28
446/15
2004/0266309 A1 * 12/2004 Thai A63H 33/28
446/15
2006/0199463 A1 * 9/2006 Thai A63H 33/28
446/15
2009/0149107 A1 * 6/2009 Thai A63H 33/28
446/15
2012/0214378 A1 * 8/2012 Lo A63H 33/28
446/15
2020/0061487 A1 * 2/2020 Thai A63H 33/28
2020/0155957 A1 * 5/2020 Clayton A63H 29/22

* cited by examiner

Primary Examiner — Mehri F Bajoul

(57) **CLAIM**

The ornamental design for a bubble gun, as shown and described.

DESCRIPTION

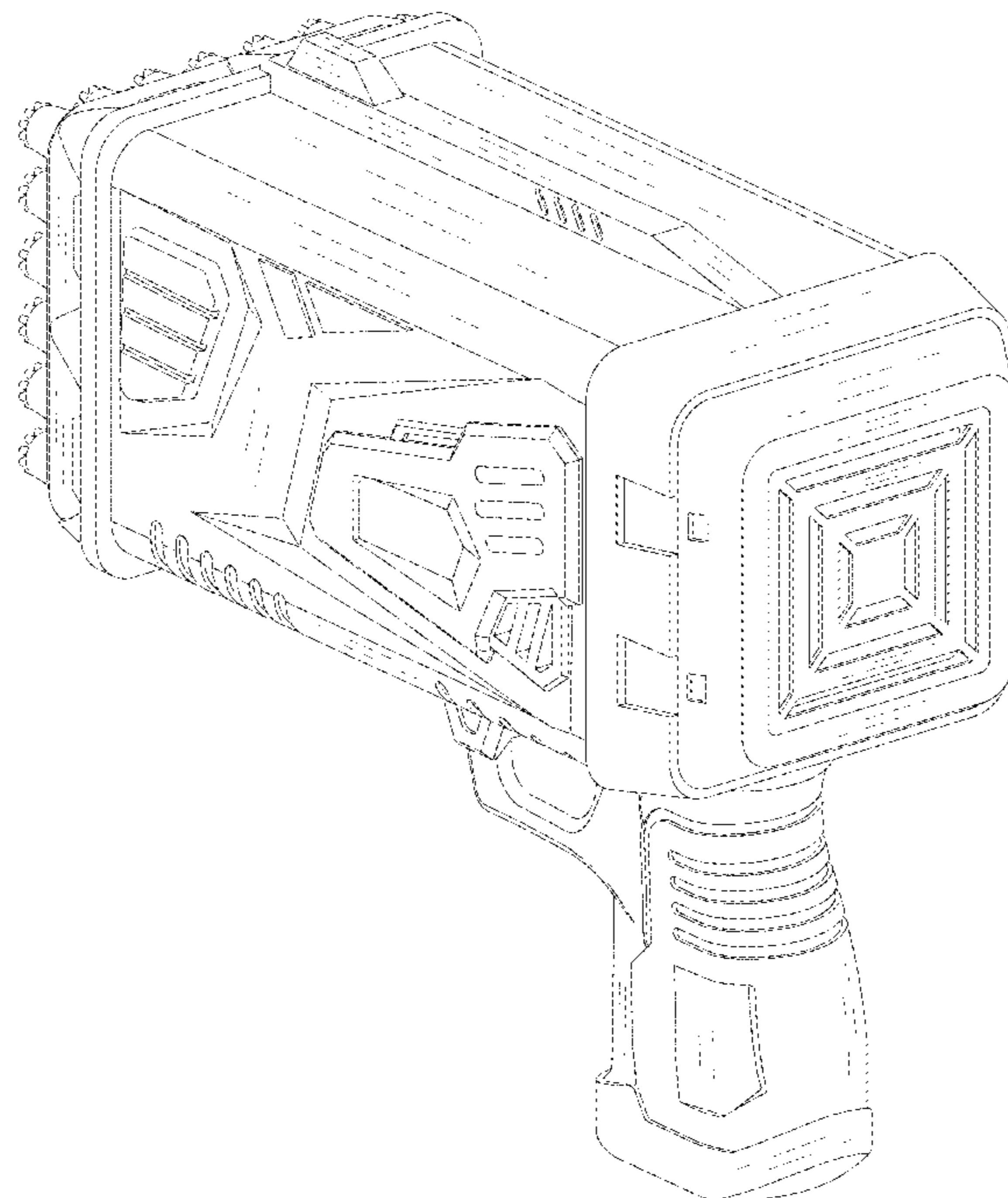
FIG. 1 is a top, rear, left side perspective view of a bubble gun, showing my new design;
FIG. 2 is a bottom, front, right side perspective view thereof;
FIG. 3 is a left side elevational view thereof;
FIG. 4 is a right side elevational view thereof;
FIG. 5 is a front elevational view thereof;
FIG. 6 is a rear elevational view thereof;
FIG. 7 is a top plan view thereof; and,
FIG. 8 is a bottom plan view thereof.

1 Claim, 8 Drawing Sheets

(56) **References Cited**

U.S. PATENT DOCUMENTS

D353,166 S * 12/1994 Kwak D21/444
6,953,376 B1 * 10/2005 Kim A63H 33/28
446/175
D722,117 S * 2/2015 Chen D21/401
D735,275 S * 7/2015 Krivulin D21/401
D761,365 S 7/2016 Champ
10,434,433 B1 * 10/2019 Thai A63H 33/28
10,434,434 B1 * 10/2019 Thai A63H 29/22
D867,466 S * 11/2019 Thai D21/401
D896,895 S * 9/2020 Yang D21/401
D896,896 S * 9/2020 Lee D21/401
D952,047 S * 5/2022 Gao D21/597
D955,496 S * 6/2022 Cai D21/572
D960,994 S * 8/2022 Myers D21/401



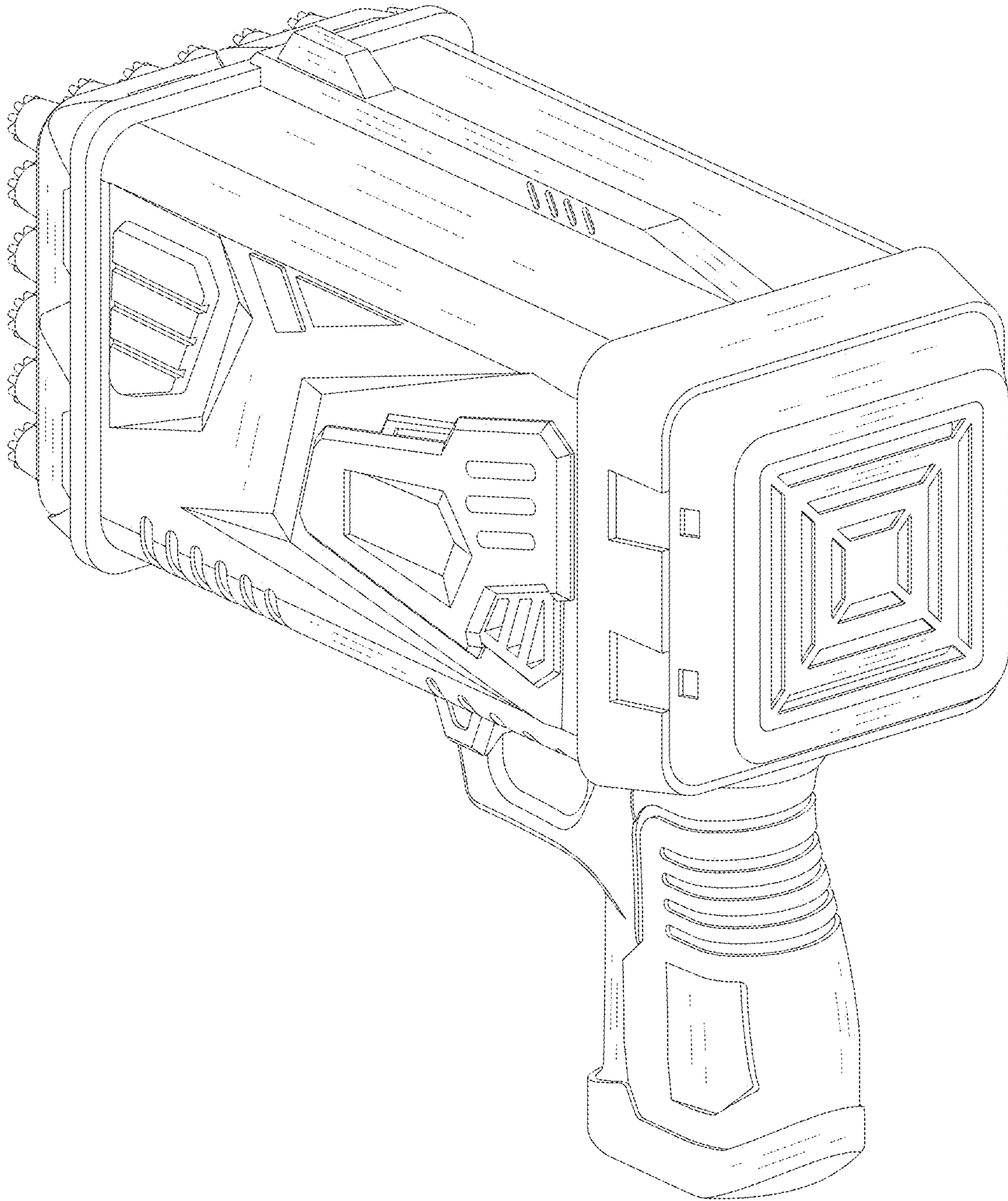


FIG. 1

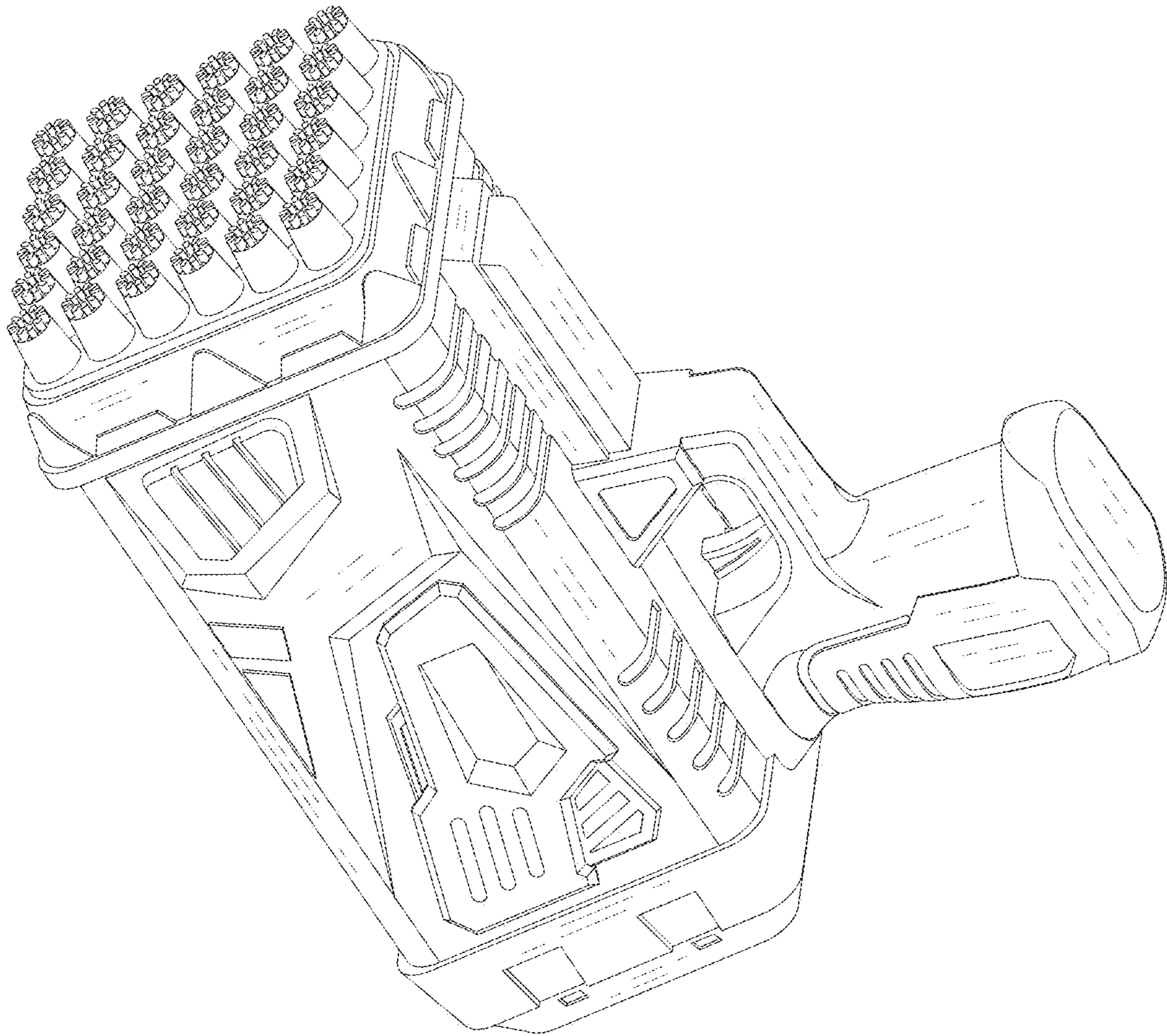


FIG. 2

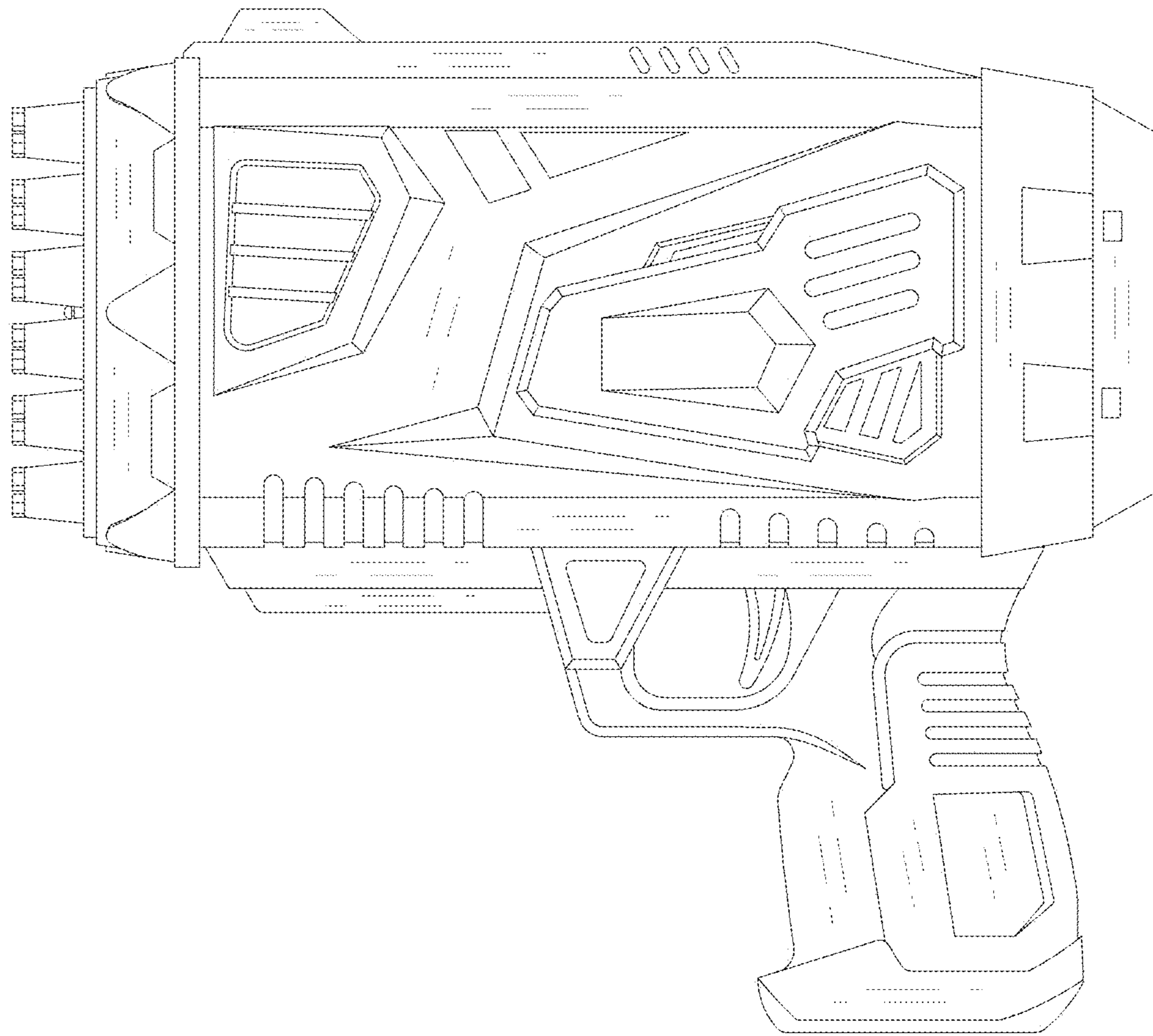


FIG. 3

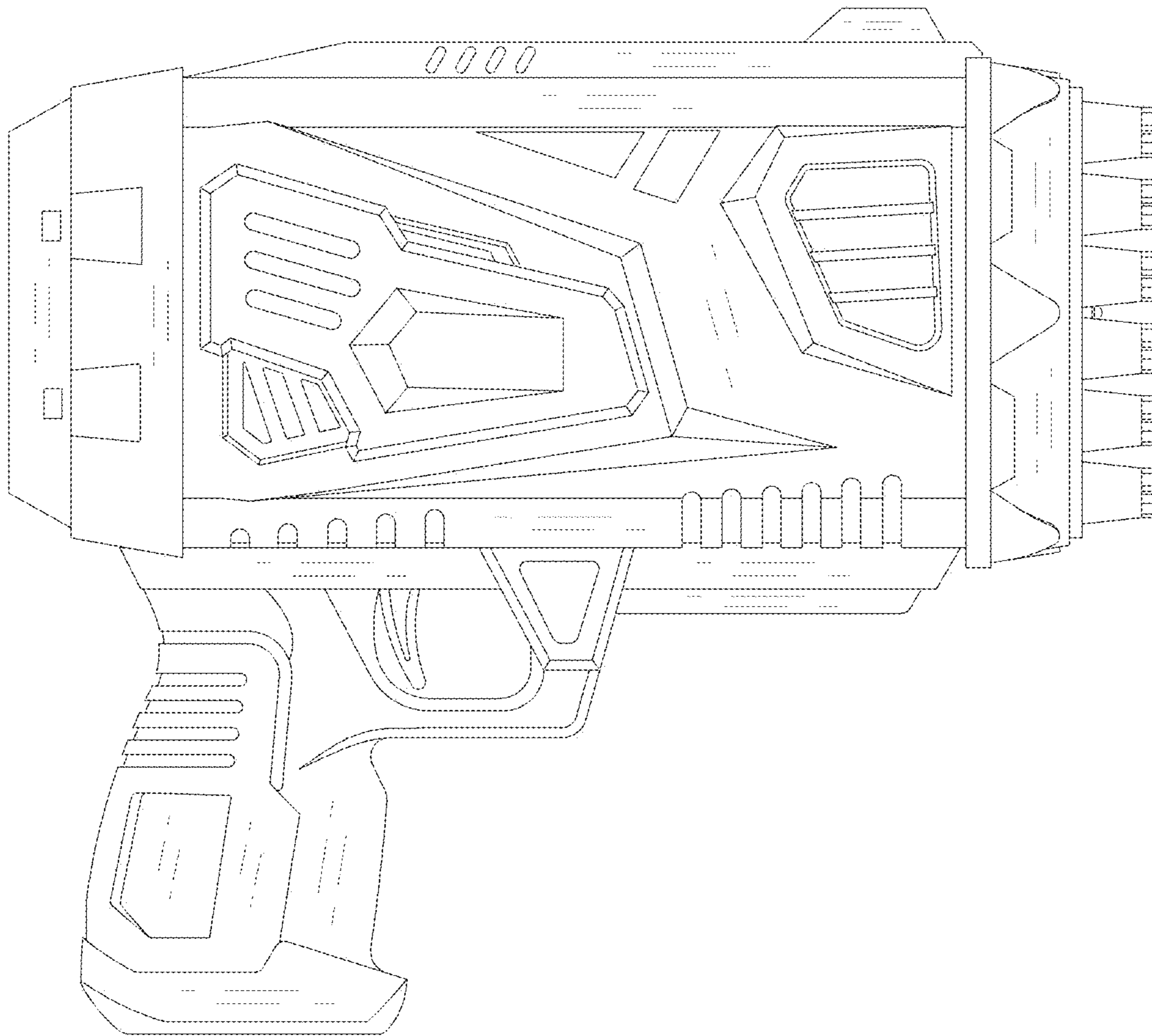


FIG. 4

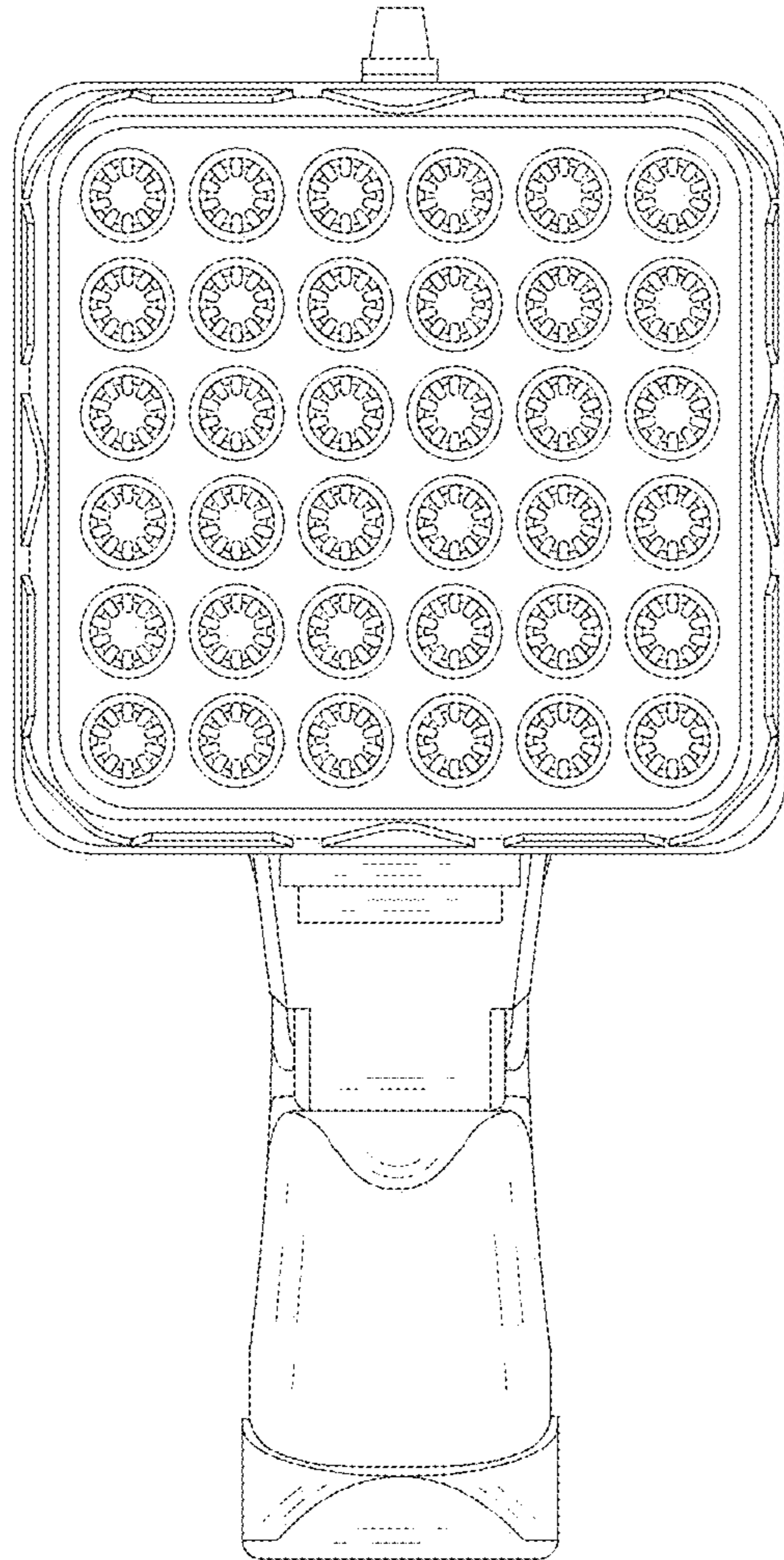


FIG. 5

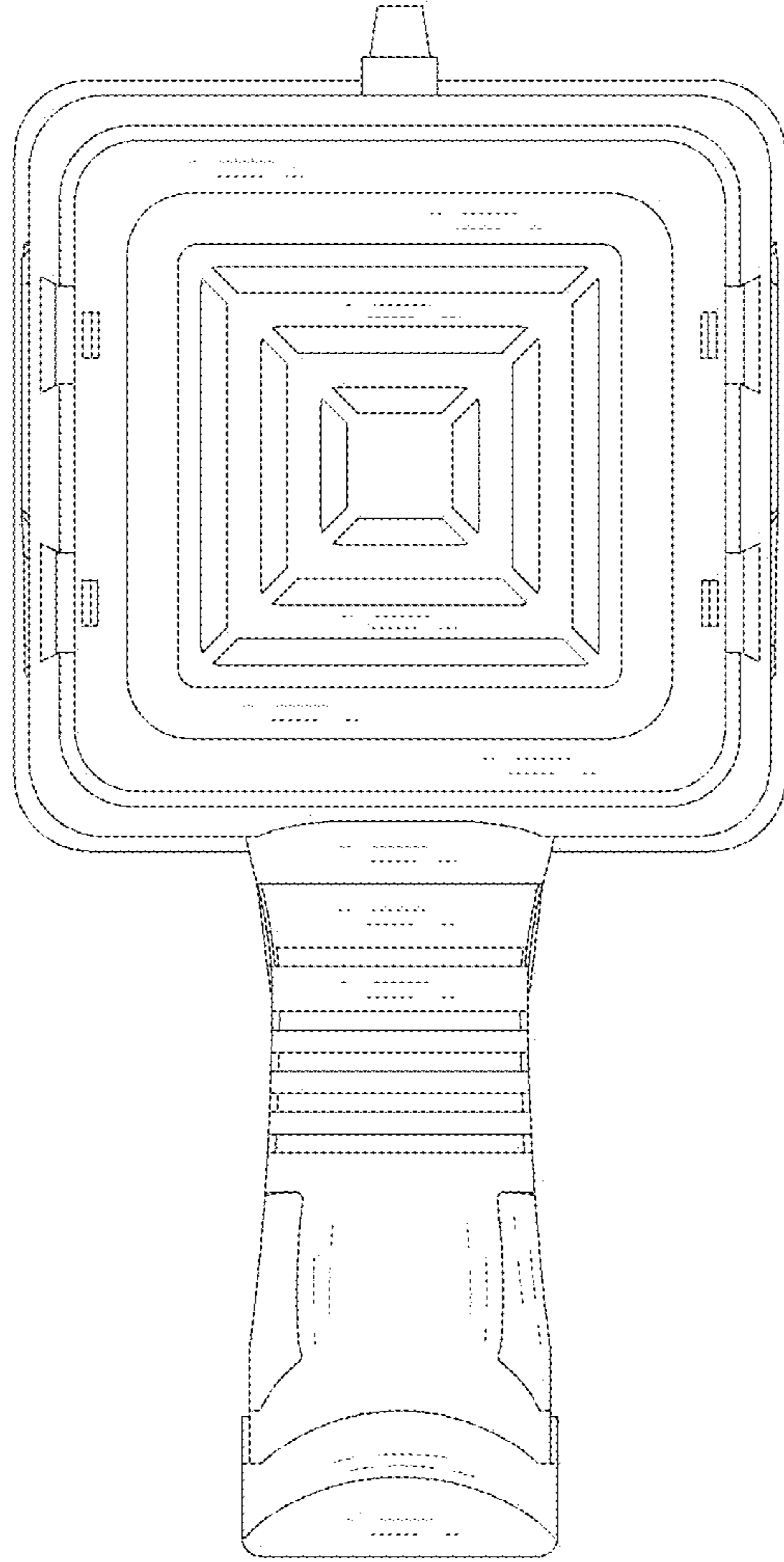


FIG. 6

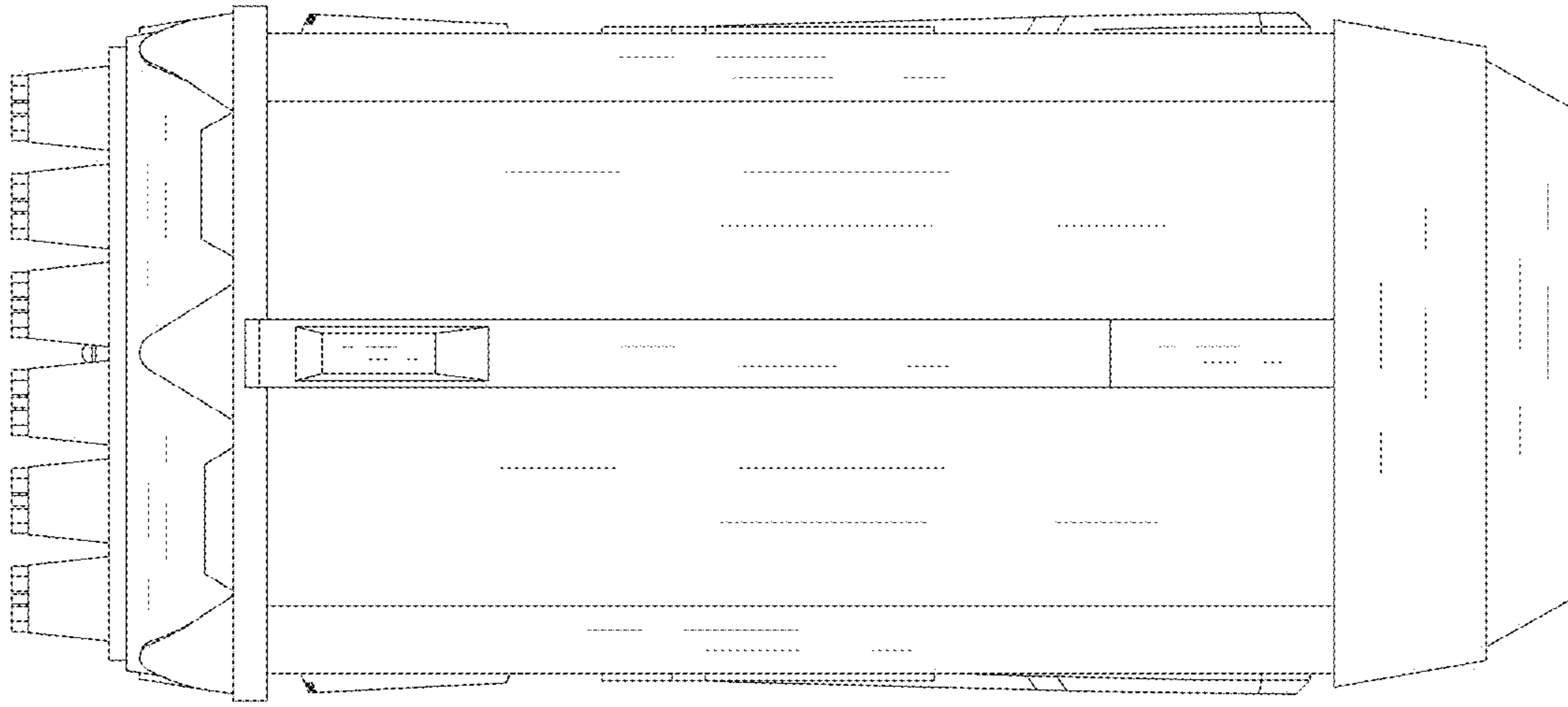


FIG. 7

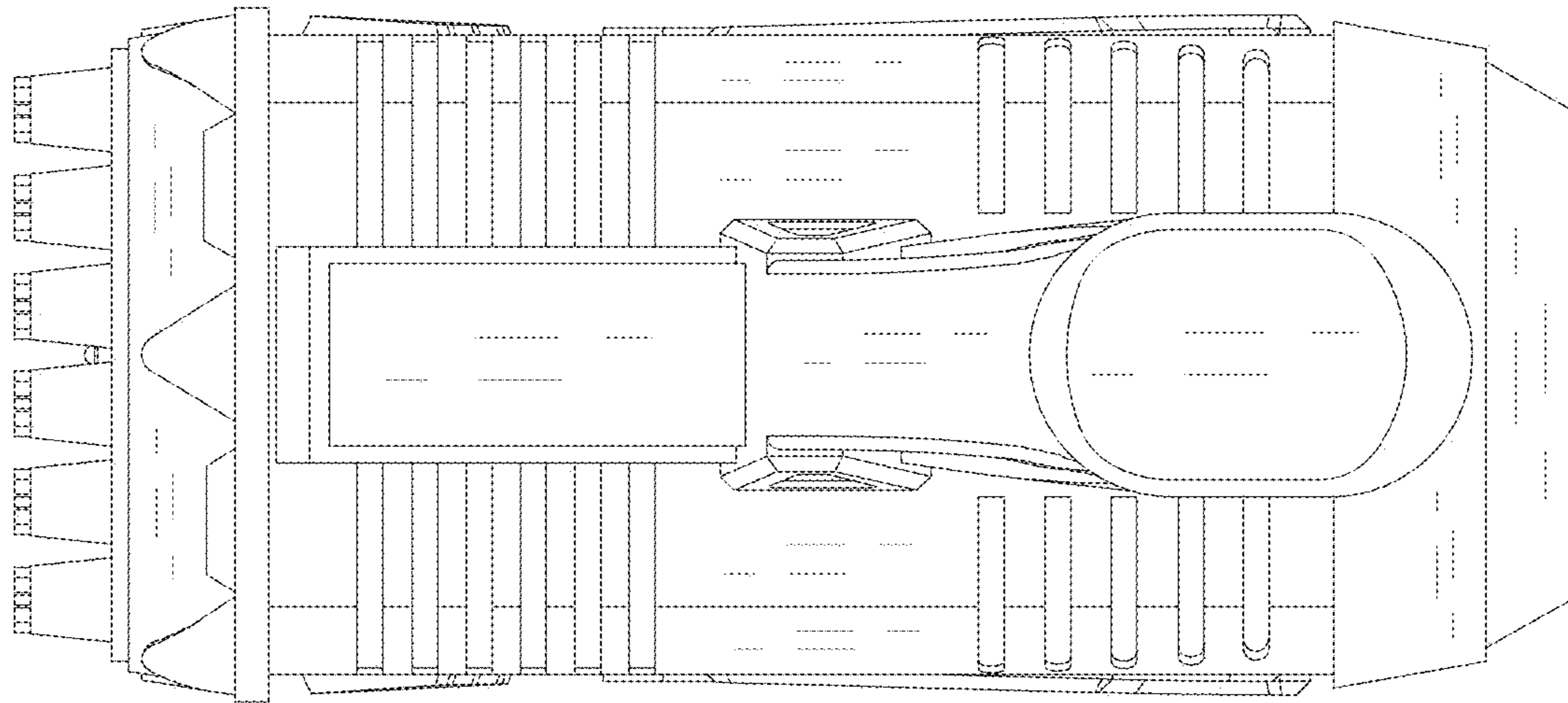


FIG. 8