



US00D986339S

(12) **United States Design Patent**
Huang

(10) **Patent No.:** **US D986,339 S**

(45) **Date of Patent:** **** May 16, 2023**

(54) **PUZZLE TABLE**

(71) Applicant: **William Huang**, Nanchang (CN)

(72) Inventor: **William Huang**, Nanchang (CN)

(**) Term: **15 Years**

(21) Appl. No.: **29/835,871**

(22) Filed: **Apr. 22, 2022**

Related U.S. Application Data

(63) Continuation-in-part of application No. 29/722,083, filed on Jan. 27, 2020, now Pat. No. Des. 972,038.

(51) **LOC (14) Cl.** **21-01**

(52) **U.S. Cl.**
USPC **D21/397**

(58) **Field of Classification Search**
USPC D21/397, 478, 479, 480, 522, 334, 335;
D6/692.1, 691.9, 691.8, 691.1, 688, 687,
D6/686, 685, 655.1, 655
CPC A47B 13/08; A47B 13/083; A47B 13/088;
A47B 3/00; A47B 3/0912; A47B
2200/0035; A47B 2200/0037; A47B
25/00;

(Continued)

(56) **References Cited**

U.S. PATENT DOCUMENTS

3,792,668 A * 2/1974 Ward A47B 1/00
190/11
3,884,476 A * 5/1975 Sanders A63F 9/1044
273/157 R

(Continued)

OTHER PUBLICATIONS

BittPicc Jigsaw Puzzle Table with Legs and 4 Drawers for 1500 Pcs, Adjustable Tilting Puzzle Board with Cover, Portable Puzzle Tables for Adults Elder Teens; Aug. 25, 2022; <https://www.amazon.com/>

BittPicc-Drawers-Adjustable-Tilting-Portable/dp/B0B14V913G/ref=pd_lpo_2?pd_rd_i=B0B14V913G&psc=1; 9Pgs. (Year: 2022).*

(Continued)

Primary Examiner — Michelle E. Wilson

Assistant Examiner — Clese Moore, Jr.

(57) **CLAIM**

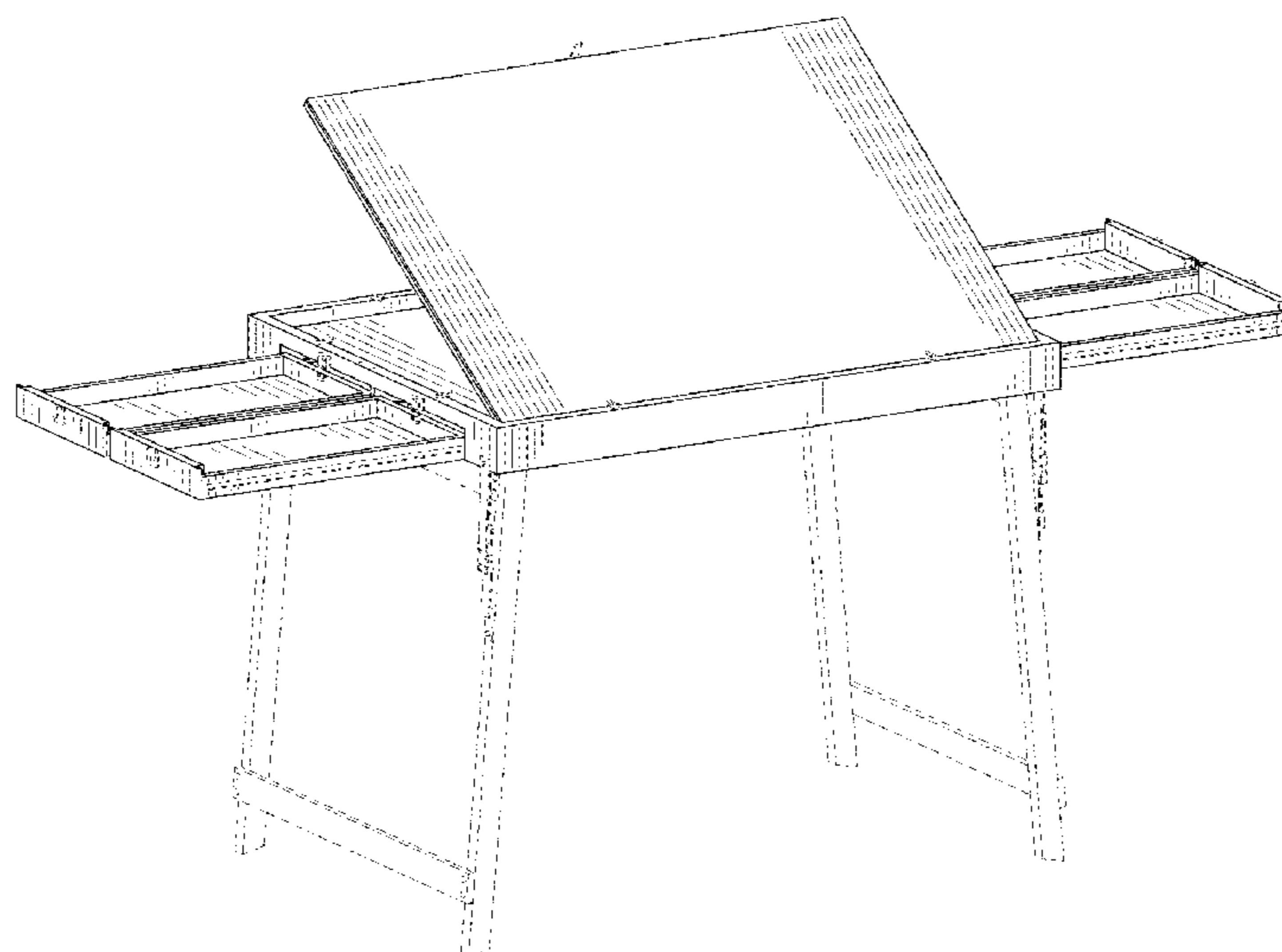
The ornamental design for a puzzle table, as shown and described.

DESCRIPTION

FIG. 1 is a perspective view of a puzzle table showing my new design, shown in a first configuration of use; FIG. 2 is another perspective view thereof; FIG. 3 is another perspective view thereof; FIG. 4 is a front elevational view thereof; FIG. 5 is a rear elevational view thereof; FIG. 6 is a left side elevational view thereof; FIG. 7 is a right side elevational view thereof; FIG. 8 is a top plan view thereof; FIG. 9 is a bottom plan view thereof; FIG. 10 is a partial enlarged view of the encircled portion 10 shown in FIG. 2; FIG. 11 is a partial enlarged view of the encircled portion 11 shown in FIG. 2; FIG. 12 is a partial enlarged view of the encircled portion 12 shown in FIG. 2; FIG. 13 is a partial enlarged view of the encircled portion 13 shown in FIG. 2; FIG. 14 is a partial enlarged view of the encircled portion 14 shown in FIG. 3; FIG. 15 is a perspective view of the puzzle table shown in a second configuration of use; and, FIG. 16 is a perspective view of the puzzle table shown in a folded state.

The dash-dash broken lines in the drawings depict portions of the puzzle table that form no part of the claimed design. The dot-dash broken lines represent boundaries of the enlarged portions and form no part of the claimed design.

1 Claim, 16 Drawing Sheets



(58) **Field of Classification Search**
 CPC .. A63B 67/04; A63F 9/1044; A63F 2009/105
 See application file for complete search history.

(56) **References Cited**

U.S. PATENT DOCUMENTS

D246,180 S * 10/1977 Yamauchi D19/113
 4,436,307 A * 3/1984 Caldwell A63F 9/1044
 273/157 R
 4,479,651 A * 10/1984 LaFleur A63F 9/1044
 273/DIG. 30
 4,484,745 A * 11/1984 Sleeper A63F 9/1044
 273/157 R
 D293,862 S * 1/1988 Hubert D6/691.1
 4,865,325 A * 9/1989 Stolz A63F 9/1044
 273/157 R
 5,651,547 A * 7/1997 Rannelli A63F 9/1044
 273/157 R
 D382,734 S * 8/1997 Hartman, Sr. D6/688
 D383,491 S * 9/1997 Chang D19/92
 D393,761 S * 4/1998 Hinton D21/478
 D400,600 S * 11/1998 Ackerman D21/478
 D437,714 S * 2/2001 Rasche D6/686
 D439,743 S * 4/2001 DeVance D3/297
 D468,776 S * 1/2003 Oliver D21/397
 6,928,932 B1 * 8/2005 Ferrill A47B 37/00
 108/26
 D541,549 S * 5/2007 Ng D6/686
 7,552,821 B1 * 6/2009 Demers A63F 9/1044
 206/499

D616,700 S * 6/2010 Pourounidis D7/698
 D654,960 S * 2/2012 Bruzzaniti D21/397
 D673,797 S 1/2013 McShane
 D715,868 S * 10/2014 Moser D21/397
 D737,610 S * 9/2015 Kitada D6/691.9
 D772,623 S * 11/2016 Lin D6/691
 D844,714 S * 4/2019 Witze D21/480
 D847,260 S * 4/2019 Myska B41K 1/00
 D19/113
 D860,697 S * 9/2019 Ke D6/691.9
 D915,526 S * 4/2021 Bailey D21/478
 2003/0067114 A1 * 4/2003 Morioka A63F 9/1044
 273/157 R
 2007/0039523 A1 * 2/2007 Helzer A47B 13/083
 108/27
 2009/0200199 A1 * 8/2009 Biglands A63F 9/10
 273/157 R
 2015/0238007 A1 * 8/2015 Faller A47B 3/0912
 108/14
 2021/0170267 A1 * 6/2021 Malki A63F 9/1044
 2021/0170268 A1 * 6/2021 Malki A63F 9/1044

OTHER PUBLICATIONS

Innovart Puzzle Board Table, Nature Cedar Wooden Jigsaw Puzzle Table w/ 4 Storage Sorting Drawers Flannel Smooth Plateau Work Surface with Plastic Cover Portable Jigsaw Puzzle Board Up to 1,000 Pieces; Feb. 18, 2022; <https://www.amazon.com/-/en/INNOVART-Storage-Sorting-Drawers-Portable/dp/B099W8JTBS>; 4Pgs (Year: 2022).*

* cited by examiner

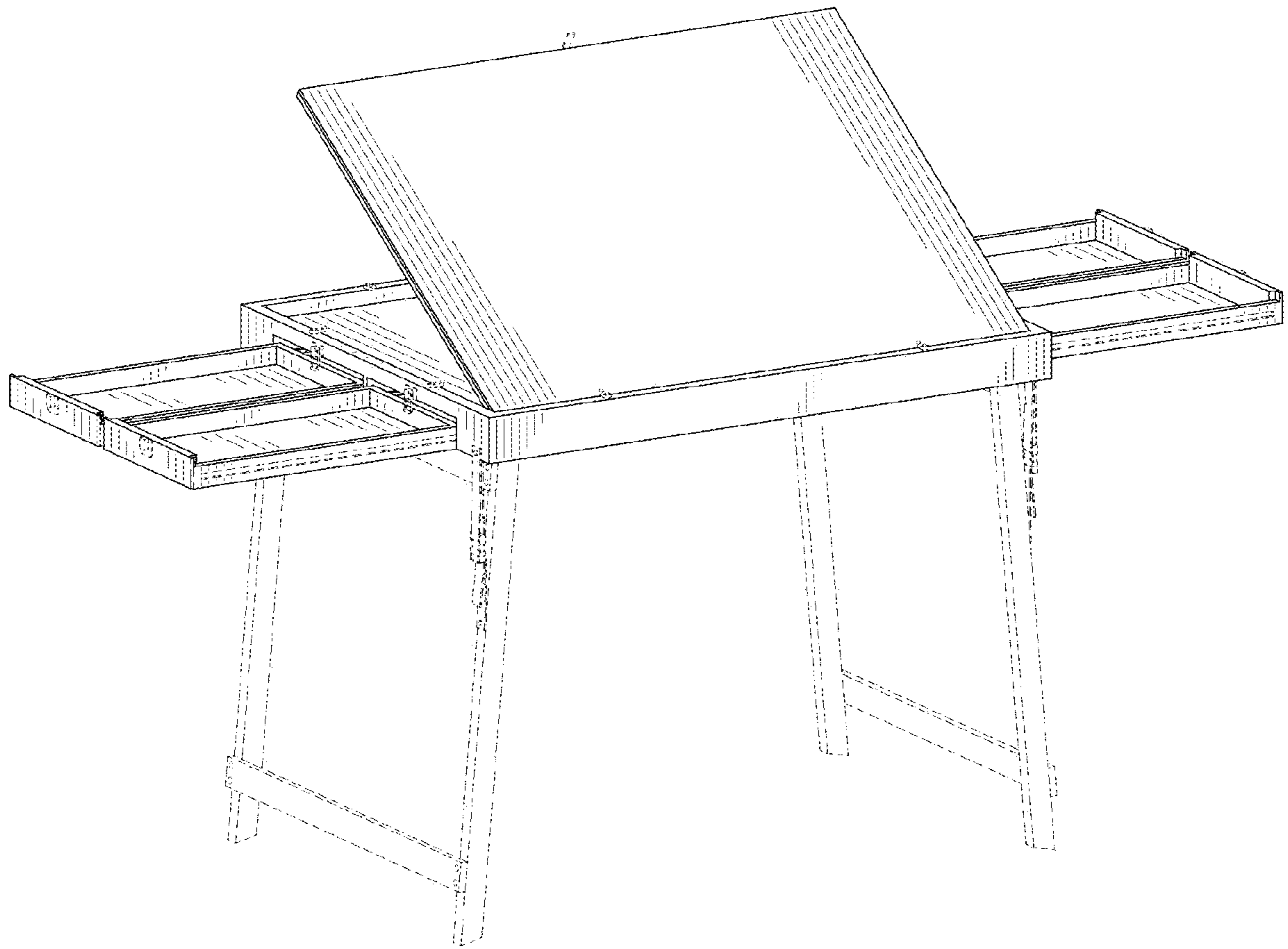


FIG. 1

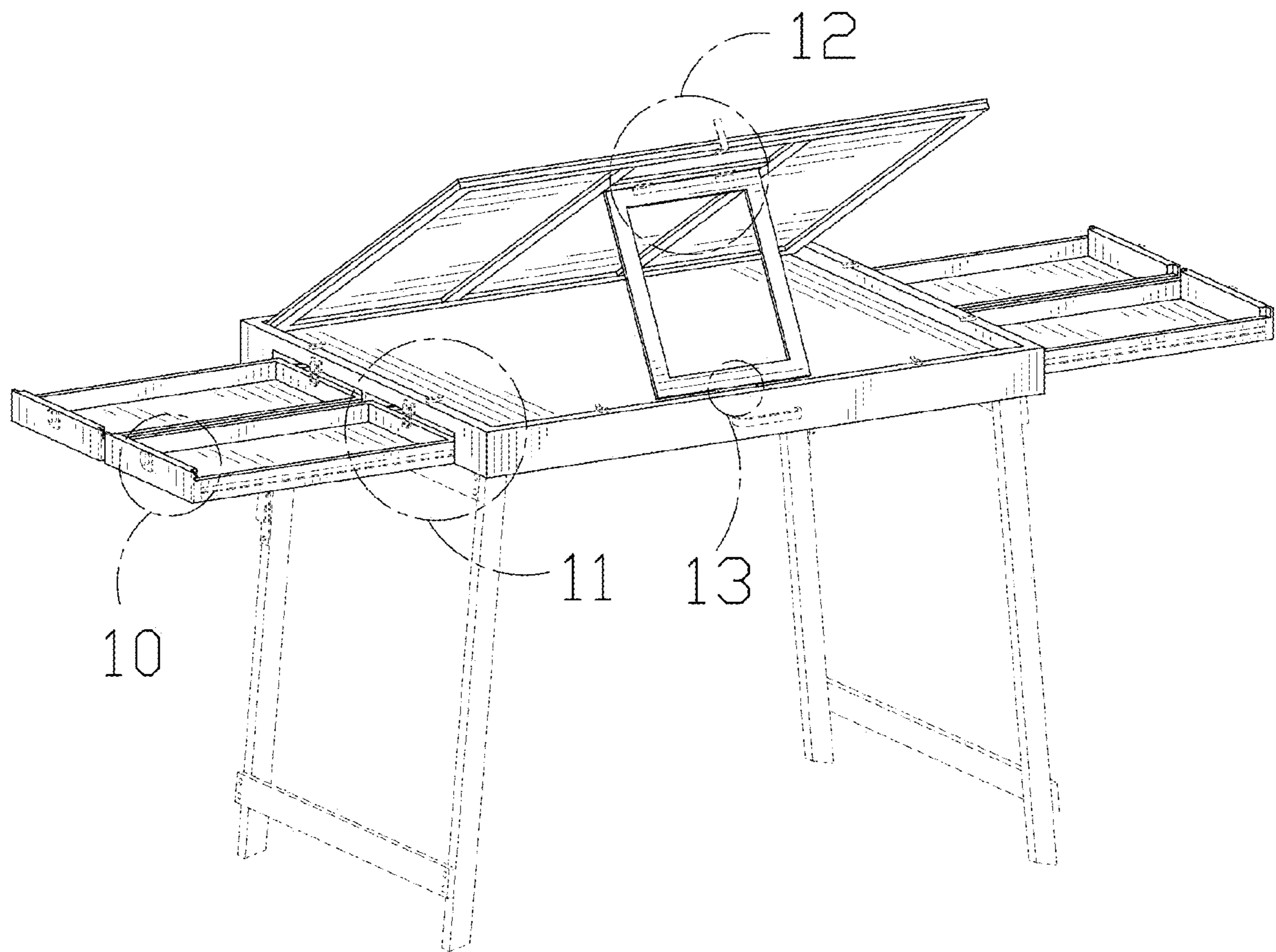


FIG. 2

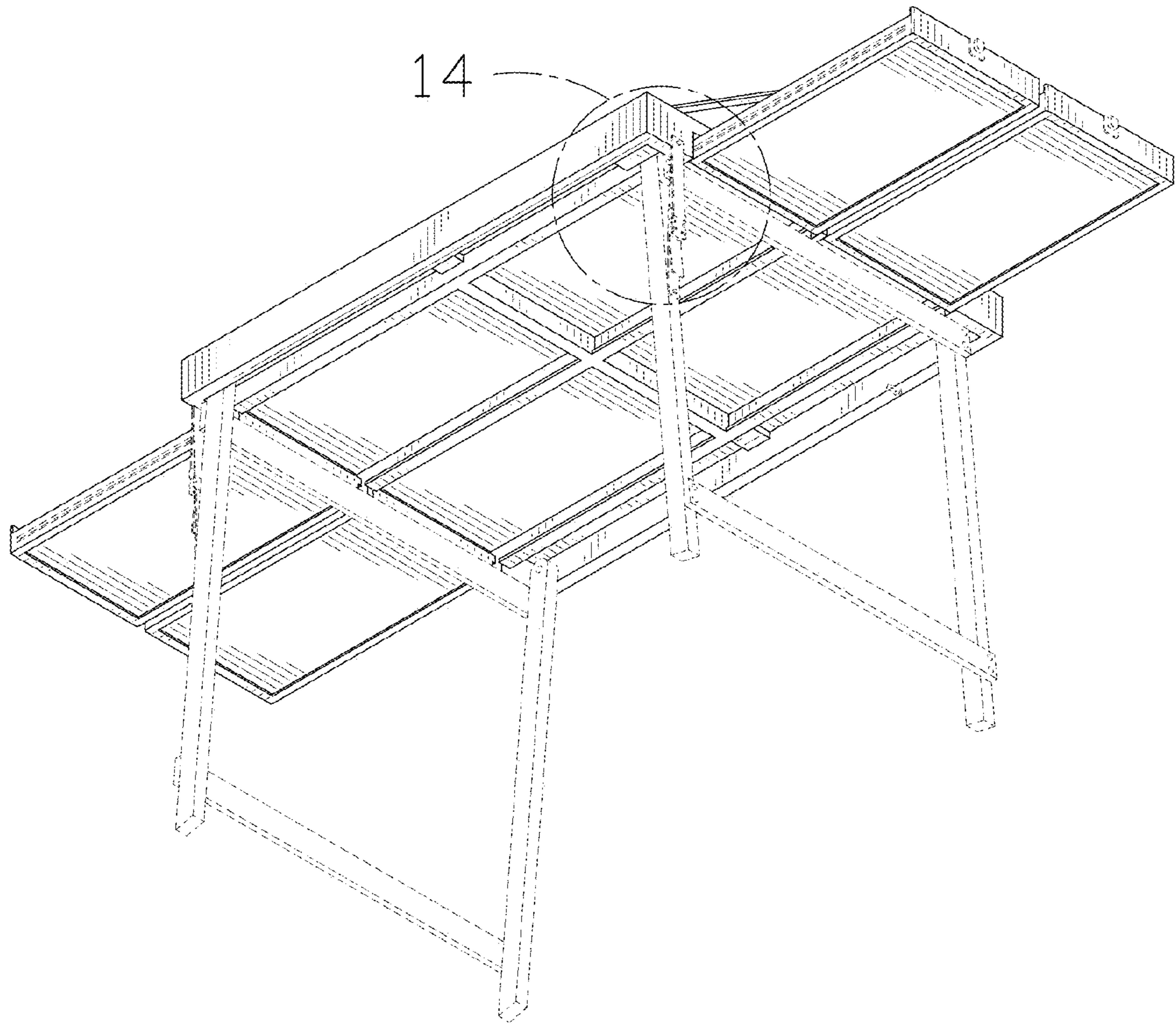


FIG. 3

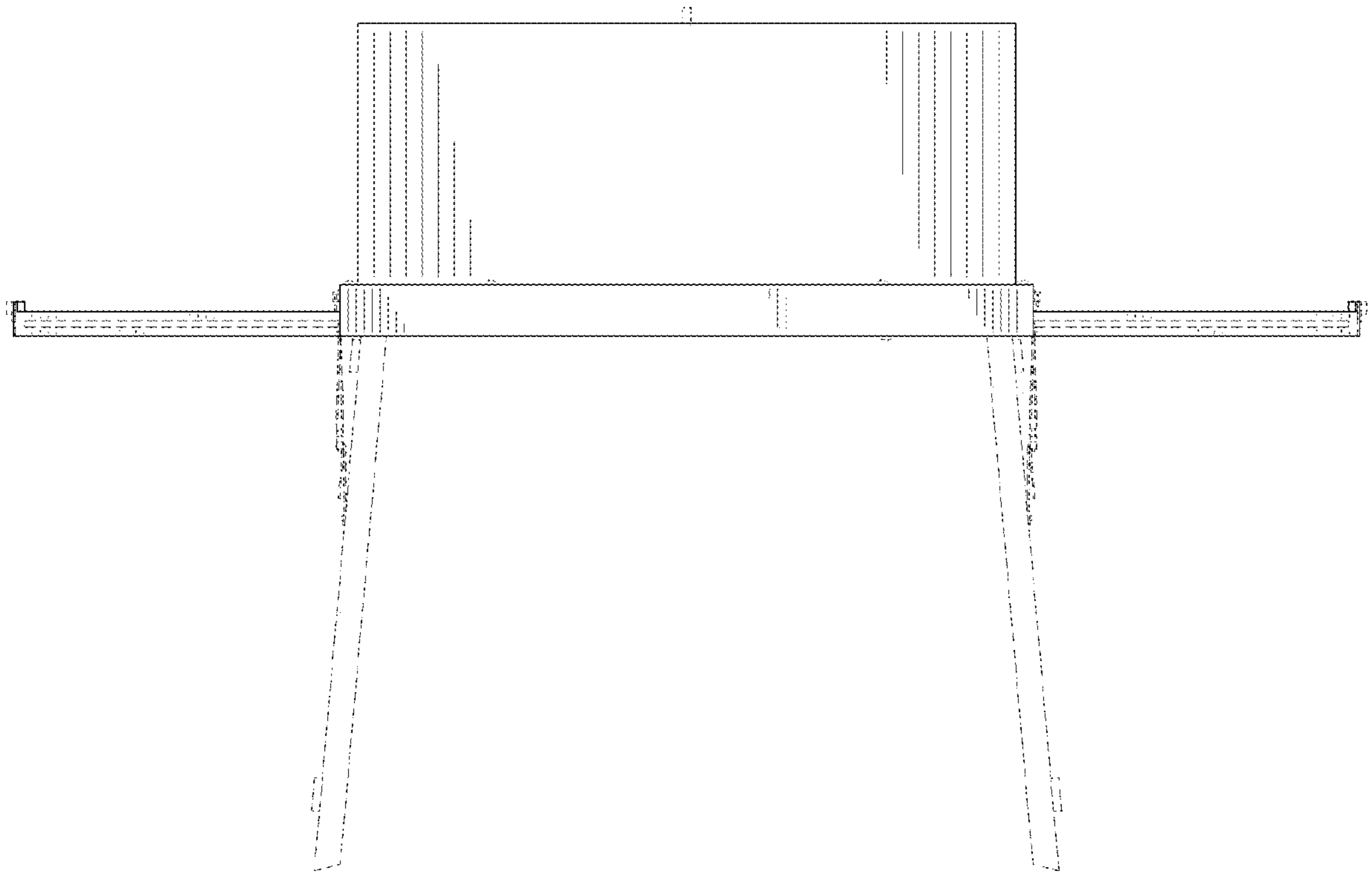


FIG. 4

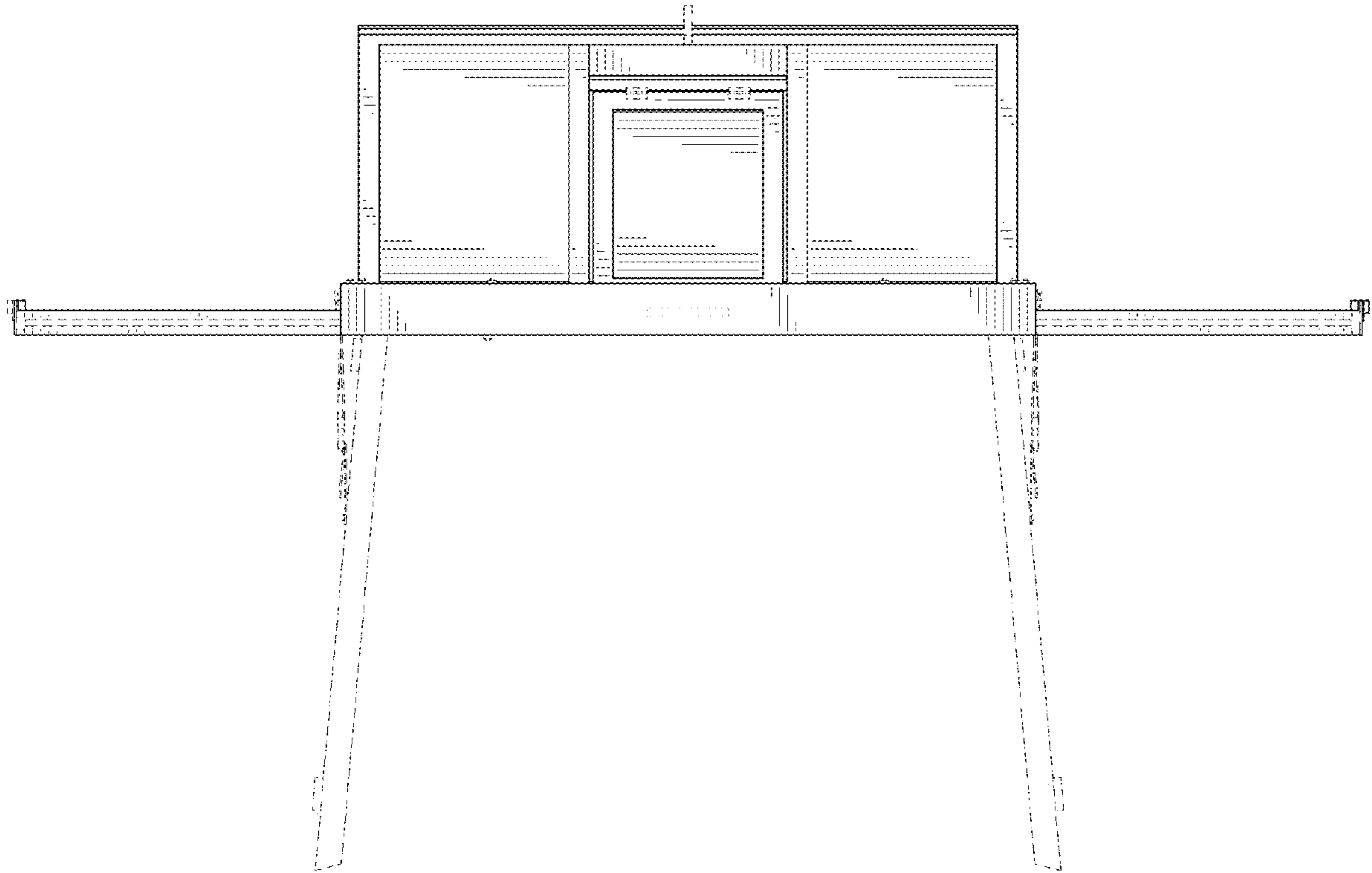


FIG. 5

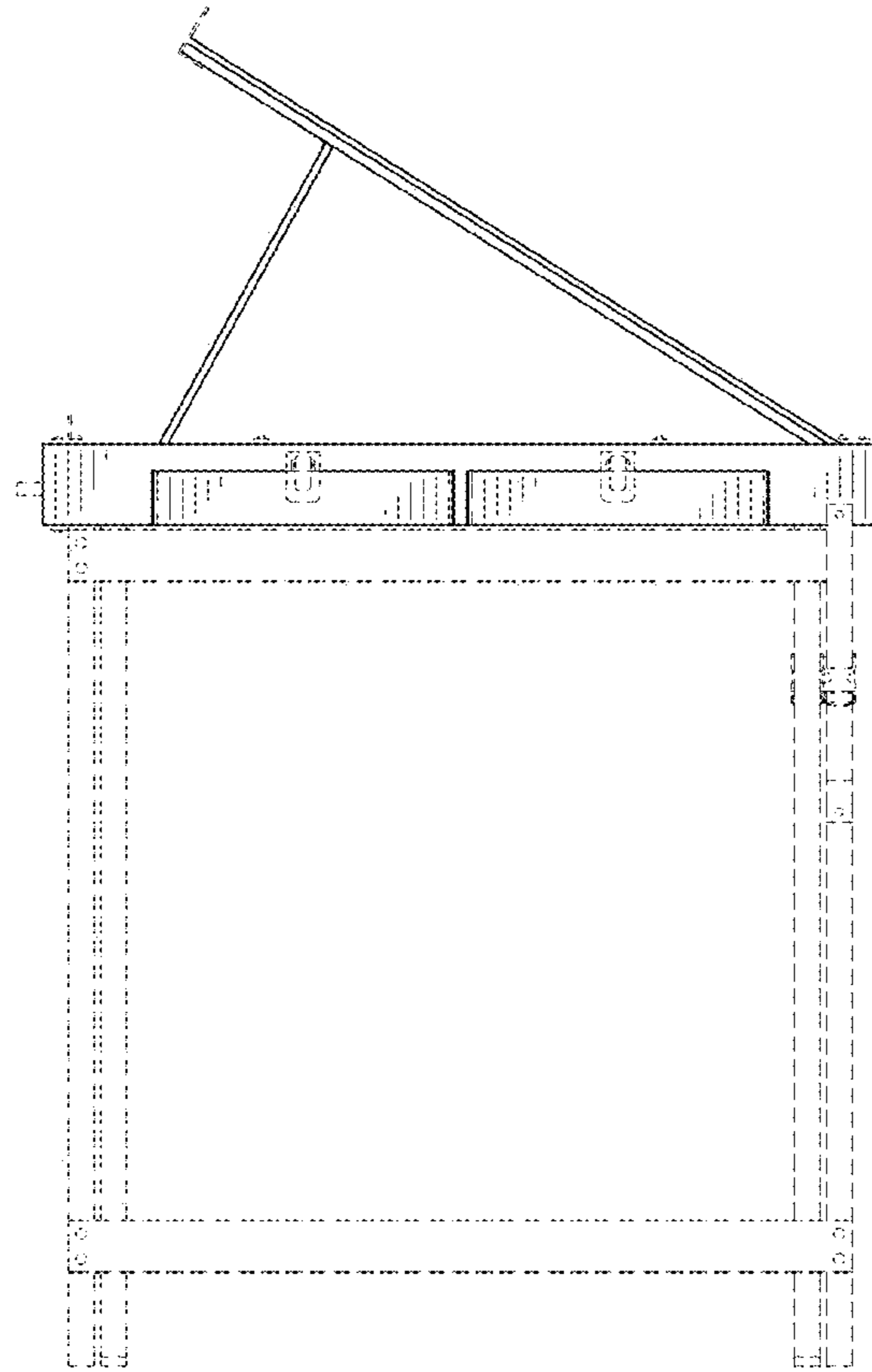


FIG. 6

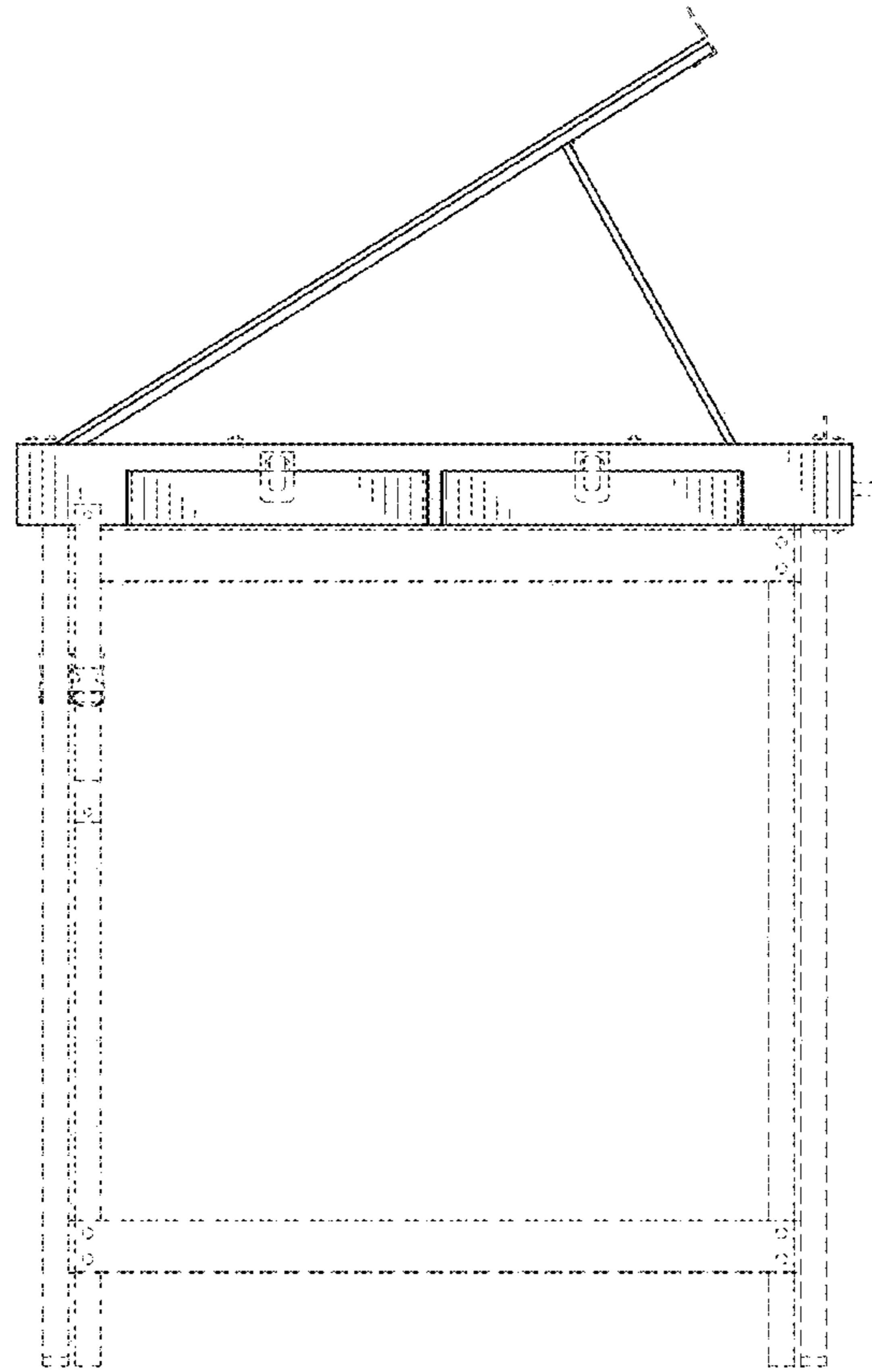


FIG. 7

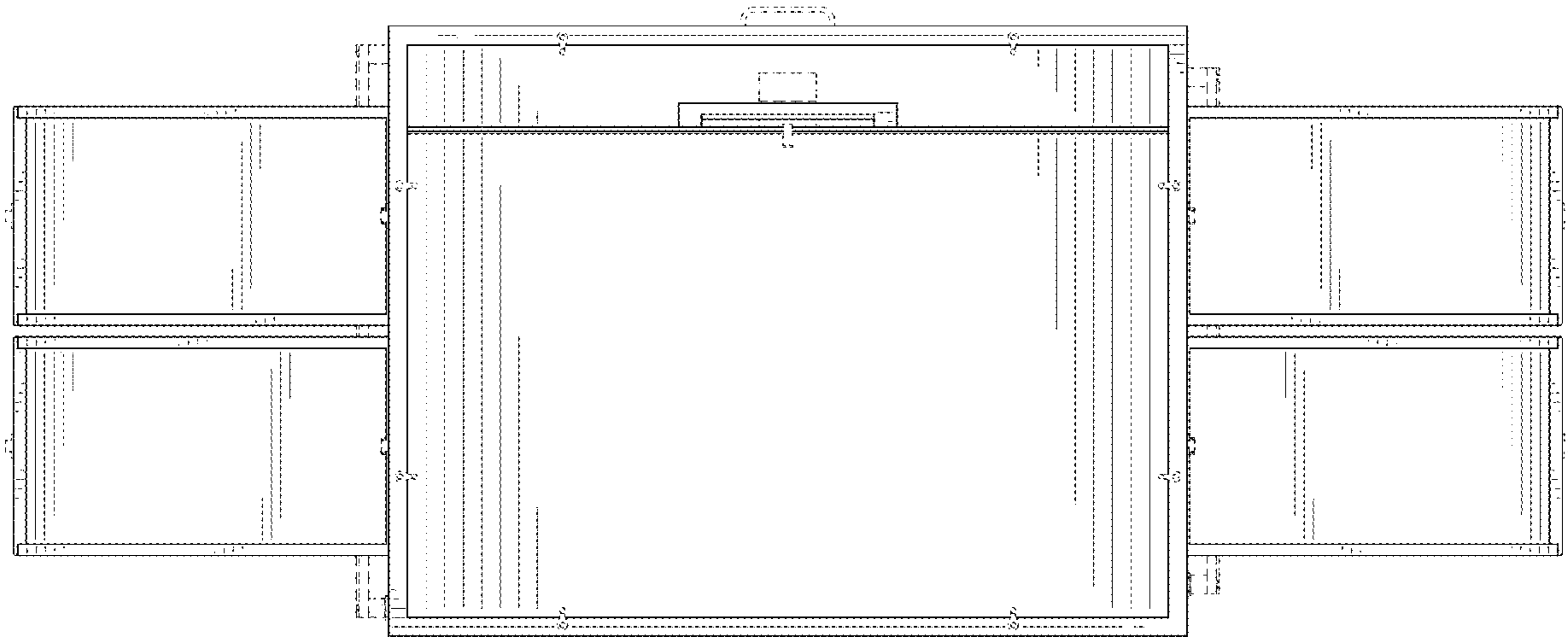


FIG. 8

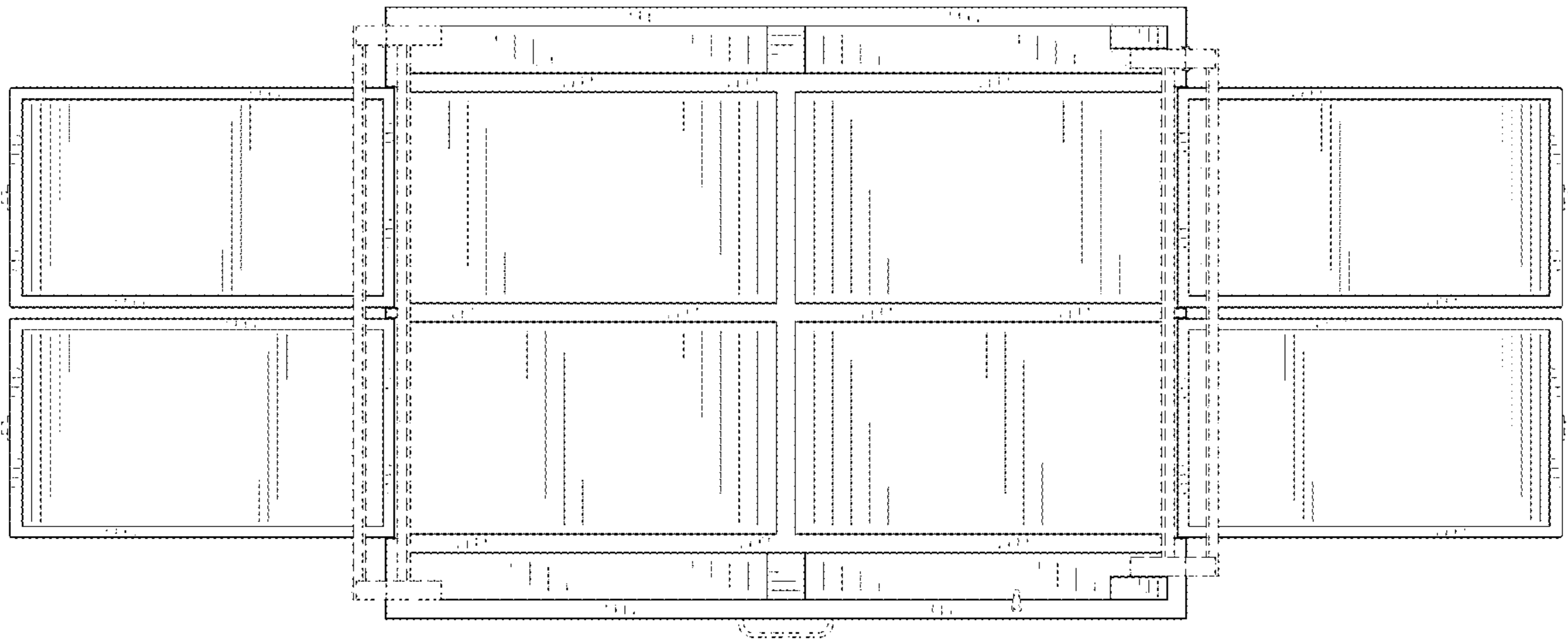


FIG. 9

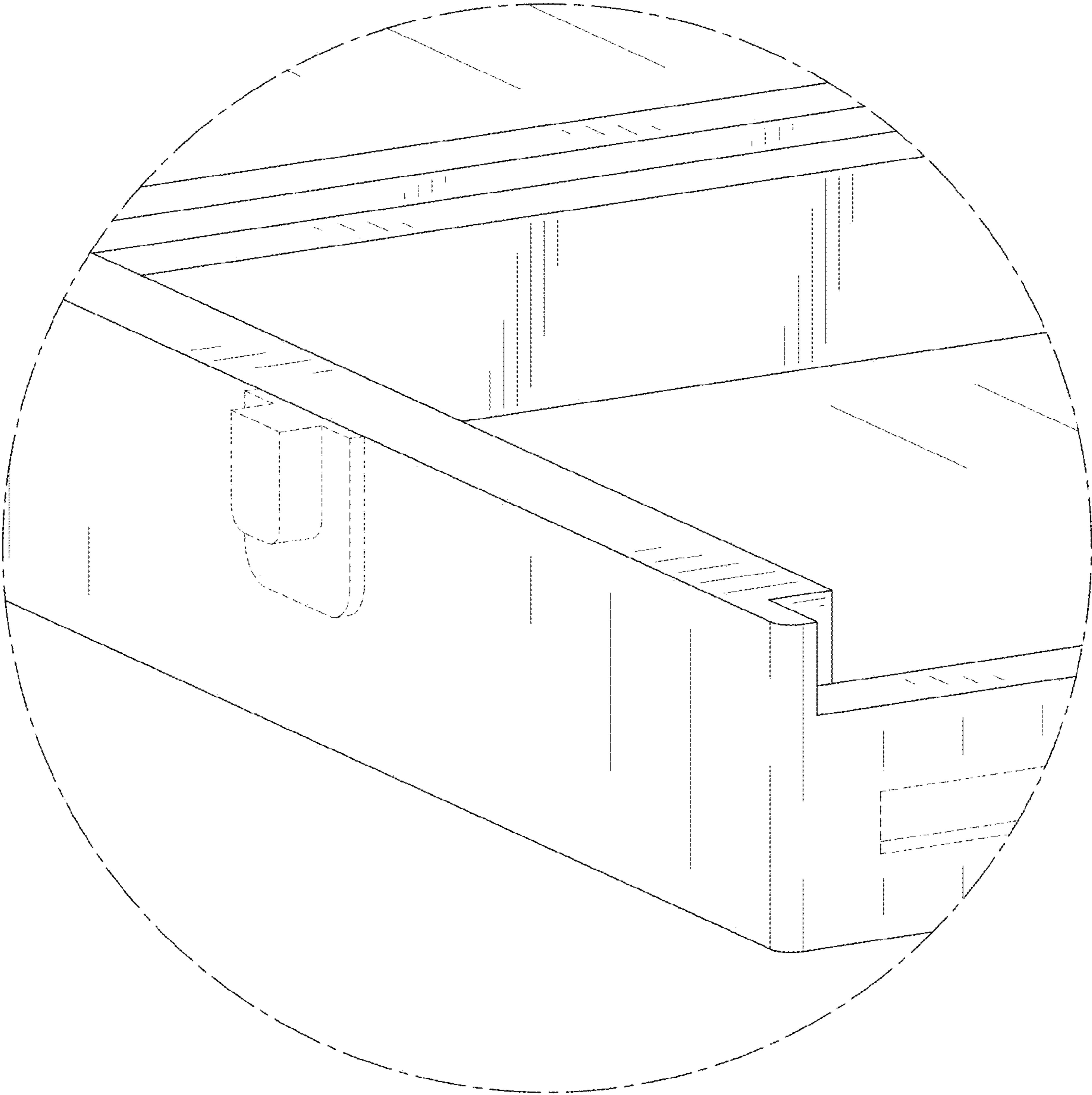


FIG. 10

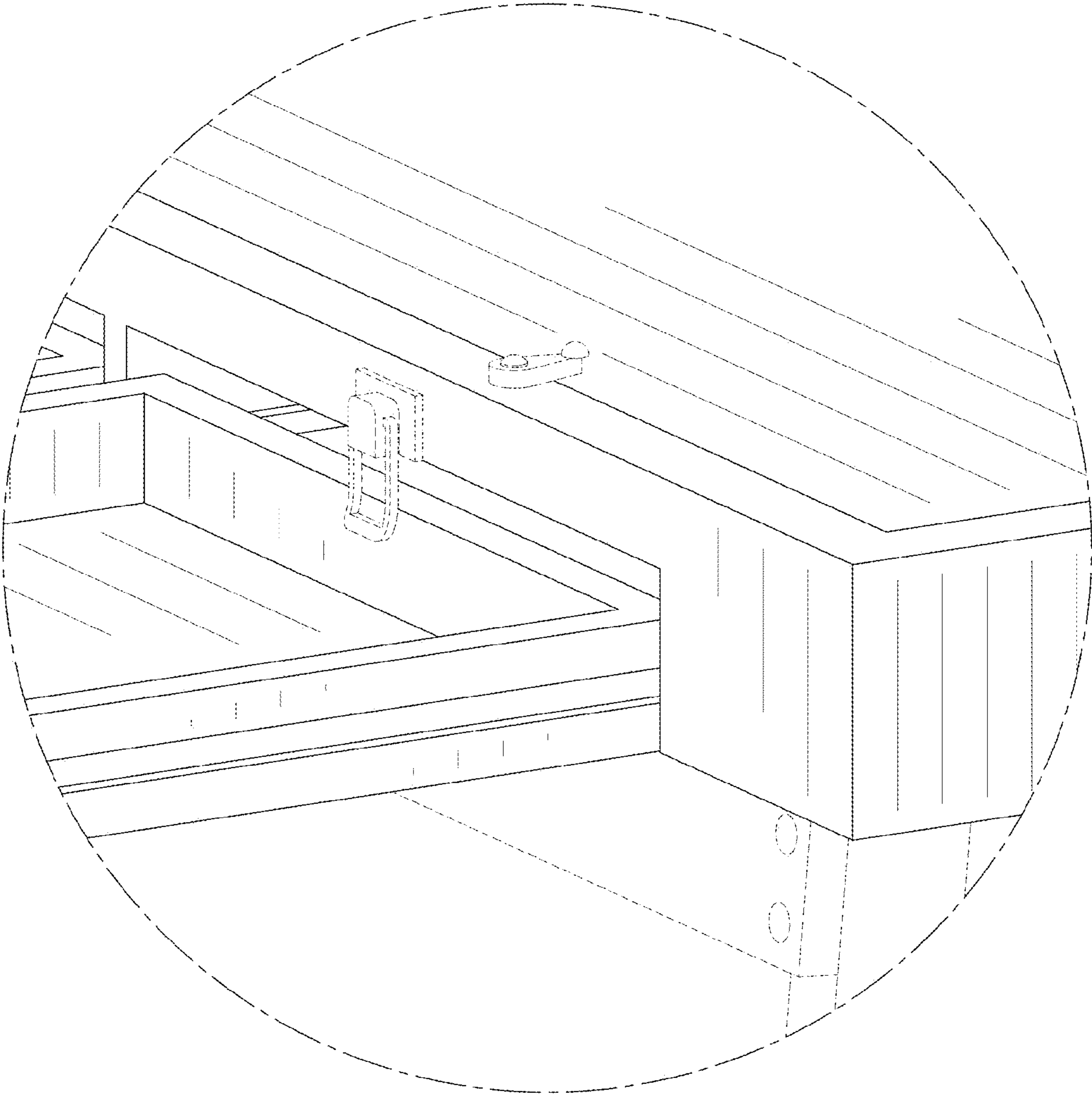


FIG. 11

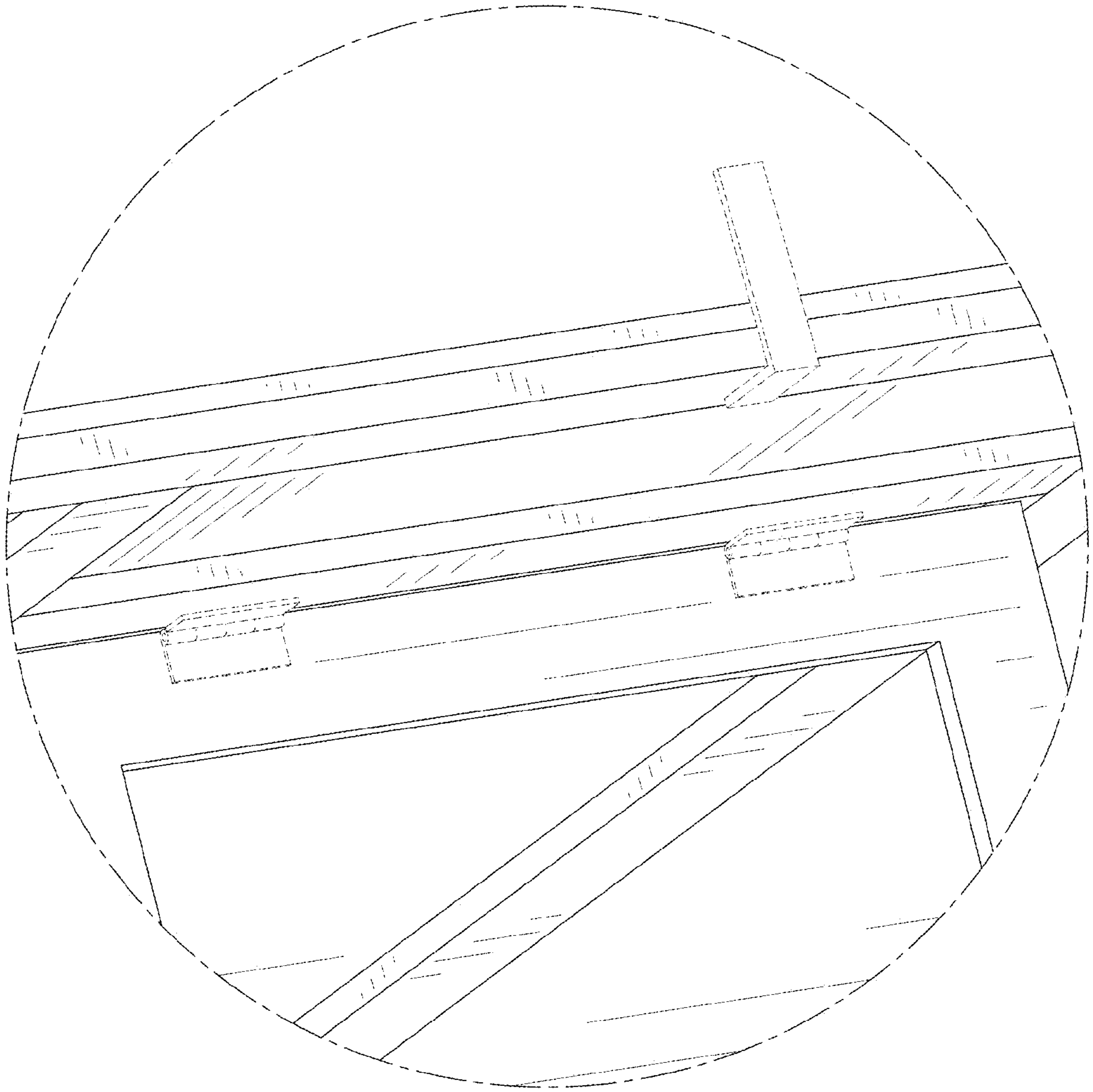


FIG. 12

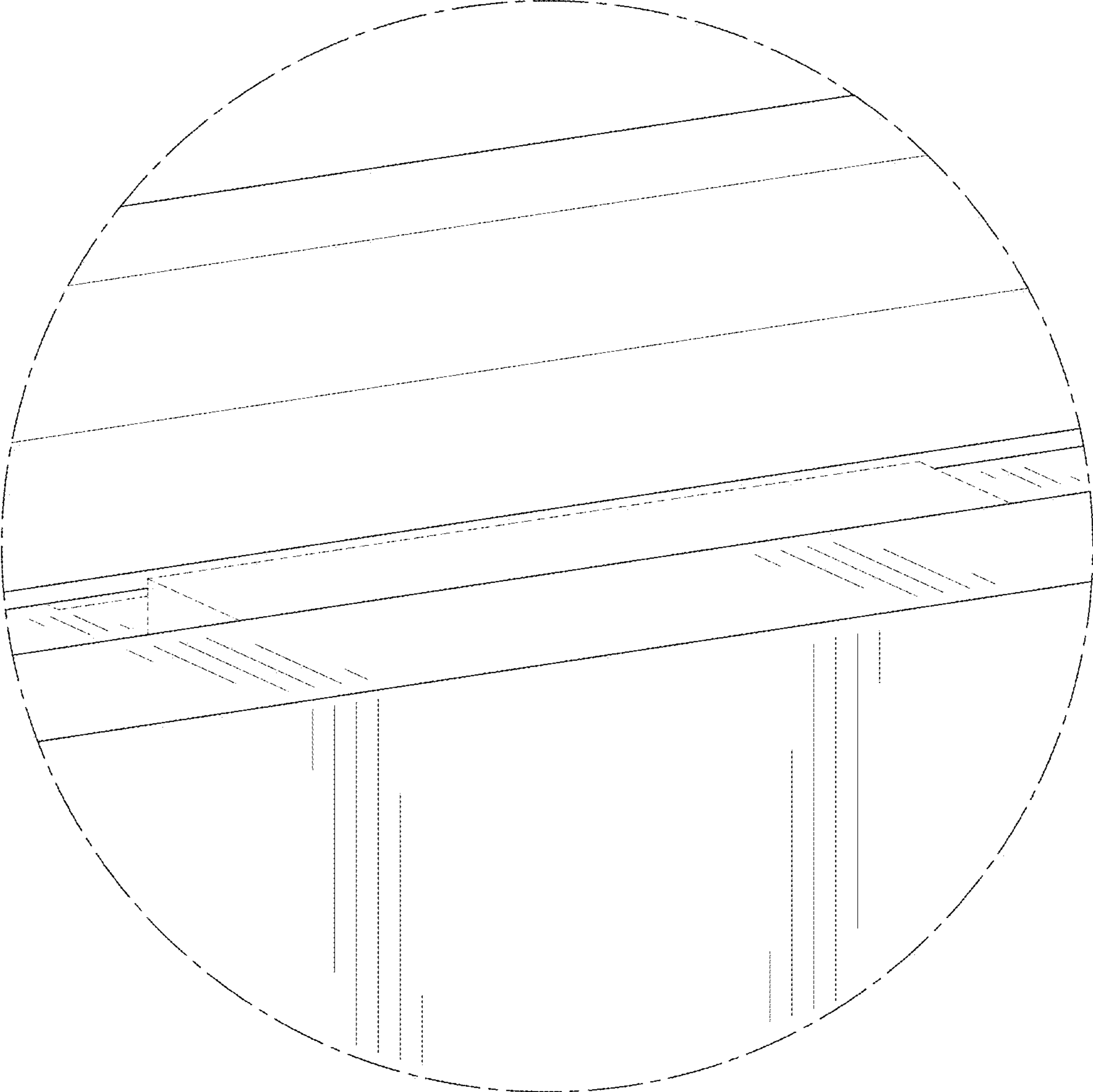


FIG. 13

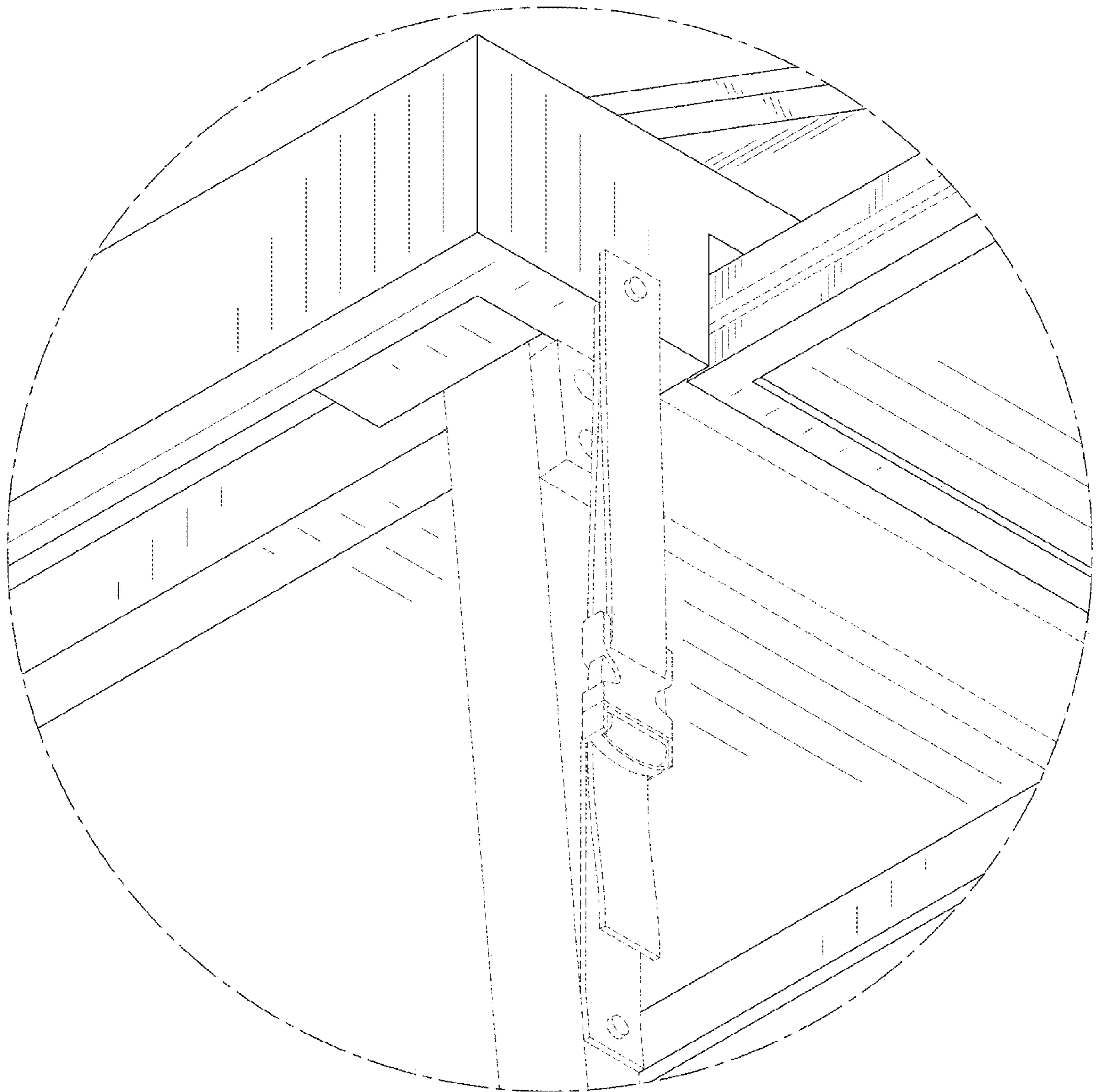


FIG. 14

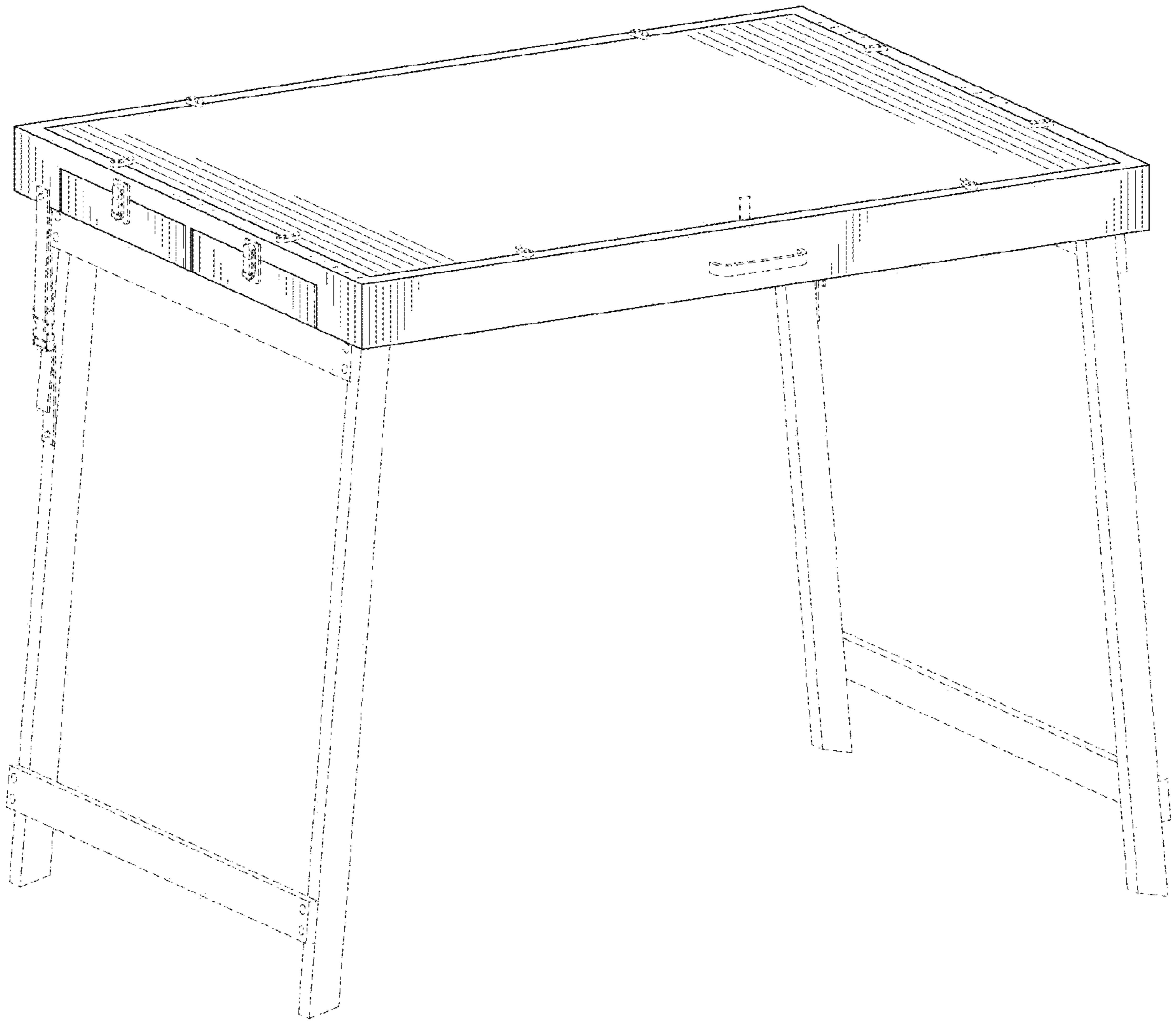


FIG. 15

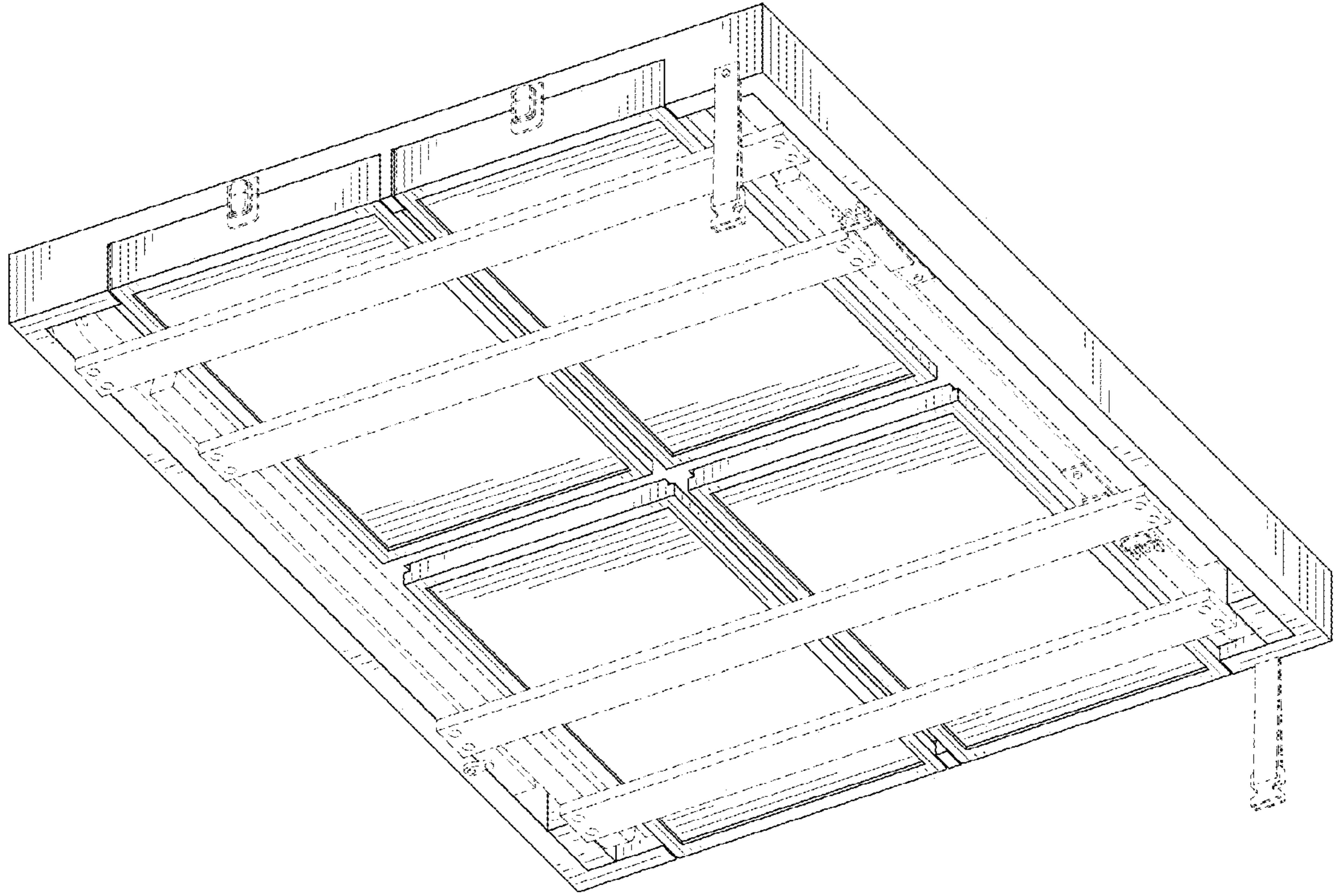


FIG. 16