



US00D986338S

(12) **United States Design Patent** (10) **Patent No.:** **US D986,338 S**
Besson (45) **Date of Patent:** **** May 16, 2023**

(54) **CHESS PIECE SET**

(71) Applicant: **CQR, LLC**, Redmond, WA (US)

(72) Inventor: **Guy M. Besson**, Redmond, WA (US)

(73) Assignee: **Guy M. Besson**, Longmont, CO (US)

(**) Term: **15 Years**

(21) Appl. No.: **29/777,140**

(22) Filed: **Apr. 2, 2021**

(51) **LOC (14) Cl.** **21-01**

(52) **U.S. Cl.**
USPC **D21/389**

(58) **Field of Classification Search**
USPC 273/260, 288, 157 R, 148 R, 236;
D21/338, 386, 388, 389

(Continued)

(56) **References Cited**

U.S. PATENT DOCUMENTS

3,677,550 A * 7/1972 Mathers A63F 3/00697
273/288

4,095,801 A * 6/1978 Kembar A63F 3/0023
273/287

(Continued)

Primary Examiner — Gino Colan

Assistant Examiner — Gregory G McLemore

(74) *Attorney, Agent, or Firm* — Lathrop GPM LLP;
William T. Griffith

(57) **CLAIM**

The ornamental design for a chess piece set, as shown and described.

DESCRIPTION

FIGS. 1-26 show a chess piece set according to the present design, where:

FIG. 1 shows a front perspective of a first chess piece of the chess piece set;

FIG. 2 shows a front elevation view of the first chess piece of the chess piece set, with the left elevation view, right elevation view, and rear elevation view thereof being the same as FIG. 2;

FIG. 3 shows a top plan view of the first chess piece of the chess piece set;

FIG. 4 shows a bottom plan view of the first chess piece of the chess piece set;

FIG. 5 shows a front perspective of a second chess piece of the chess piece set;

FIG. 6 shows a front elevation view of the second chess piece of the chess piece set, with the left elevation view, right elevation view, and rear elevation view thereof being the same as FIG. 6;

FIG. 7 shows a top plan view of the second chess piece of the chess piece set;

FIG. 8 shows a bottom plan view of the second chess piece of the chess piece set;

FIG. 9 shows a front perspective of a third chess piece of the chess piece set;

FIG. 10 shows a front elevation view of the third chess piece of the chess piece set, with the left elevation view, right elevation view, and rear elevation view thereof being the same as FIG. 10;

FIG. 11 shows a top plan view of the third chess piece of the chess piece set;

FIG. 12 shows a bottom plan view of the third chess piece of the chess piece set;

FIG. 13 shows a front perspective of a fourth chess piece of the chess piece set;

FIG. 14 shows a front elevation view of the fourth chess piece of the chess piece set, with the left elevation view, right elevation view, and rear elevation view thereof being the same as FIG. 14;

FIG. 15 shows a top plan view of the fourth chess piece of the chess piece set;

FIG. 16 shows a bottom plan view of the fourth chess piece of the chess piece set;

FIG. 17 shows a front perspective of a fifth chess piece of the chess piece set;

(Continued)

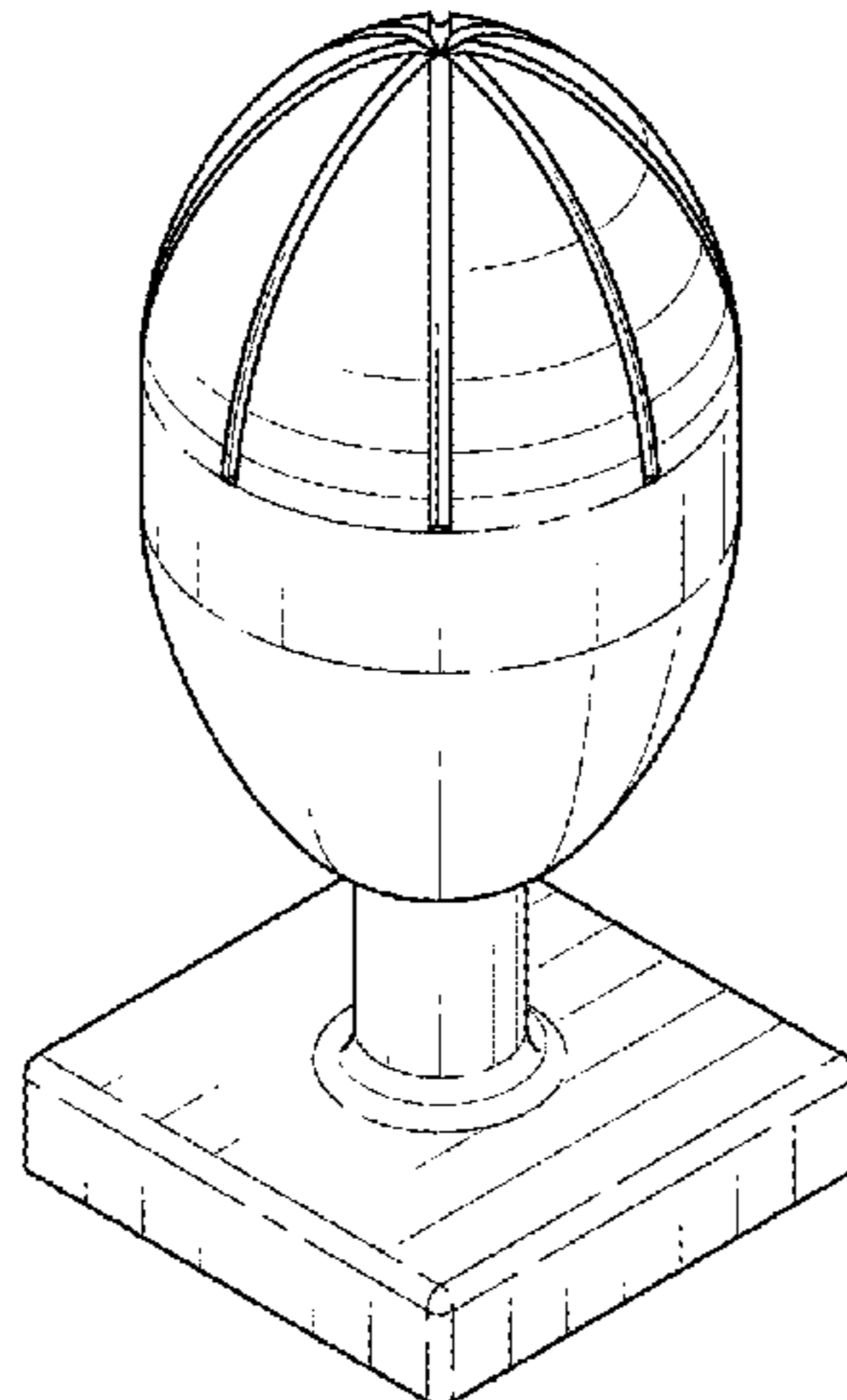


FIG. 18 shows a front elevation view of the fifth chess piece of the chess piece set;
 FIG. 19 shows a rear elevation view of the fifth chess piece of the chess piece set;
 FIG. 20 shows a right elevation view of the fifth chess piece of the chess piece set, with the left elevation view thereof mirroring FIG. 20;
 FIG. 21 shows a top plan view of the fifth chess piece of the chess piece set;
 FIG. 22 shows a bottom plan view of the fifth chess piece of the chess piece set;
 FIG. 23 shows a front perspective of a sixth chess piece of the chess piece set;
 FIG. 24 shows a front elevation view of the sixth chess piece of the chess piece set, with the left elevation view, right elevation view, and rear elevation view thereof being the same as FIG. 24;
 FIG. 25 shows a top plan view of the sixth chess piece of the chess piece set; and,
 FIG. 26 shows a bottom plan view of the sixth chess piece of the chess piece set.
 All of the broken lines in the accompanying drawings illustrate environmental structure and form no part of the claimed design.

1 Claim, 12 Drawing Sheets

(58) **Field of Classification Search**

CPC A63F 3/00697; A63F 3/02; A63F 3/00895;
 A63F 2003/007; A63F 2003/00747; A63F
 2003/00832; A63F 3/022; A63F 3/027;
 A63F 7/00; A63F 13/822; A63F
 2003/00845; A63F 3/00

See application file for complete search history.

(56) **References Cited**

U.S. PATENT DOCUMENTS

4,234,188	A *	11/1980	Keegan	A63F 3/00697 446/117
D272,374	S *	1/1984	Keegan	D21/388
D329,845	S *	9/1992	Wysolmerski	D23/209
5,314,189	A *	5/1994	Kerivan	A63F 3/00697 273/288
D353,411	S *	12/1994	Sellers	D21/389
D686,083	S *	7/2013	Kaufman	D9/652
D770,300	S *	11/2016	Tesfay	D9/652

* cited by examiner

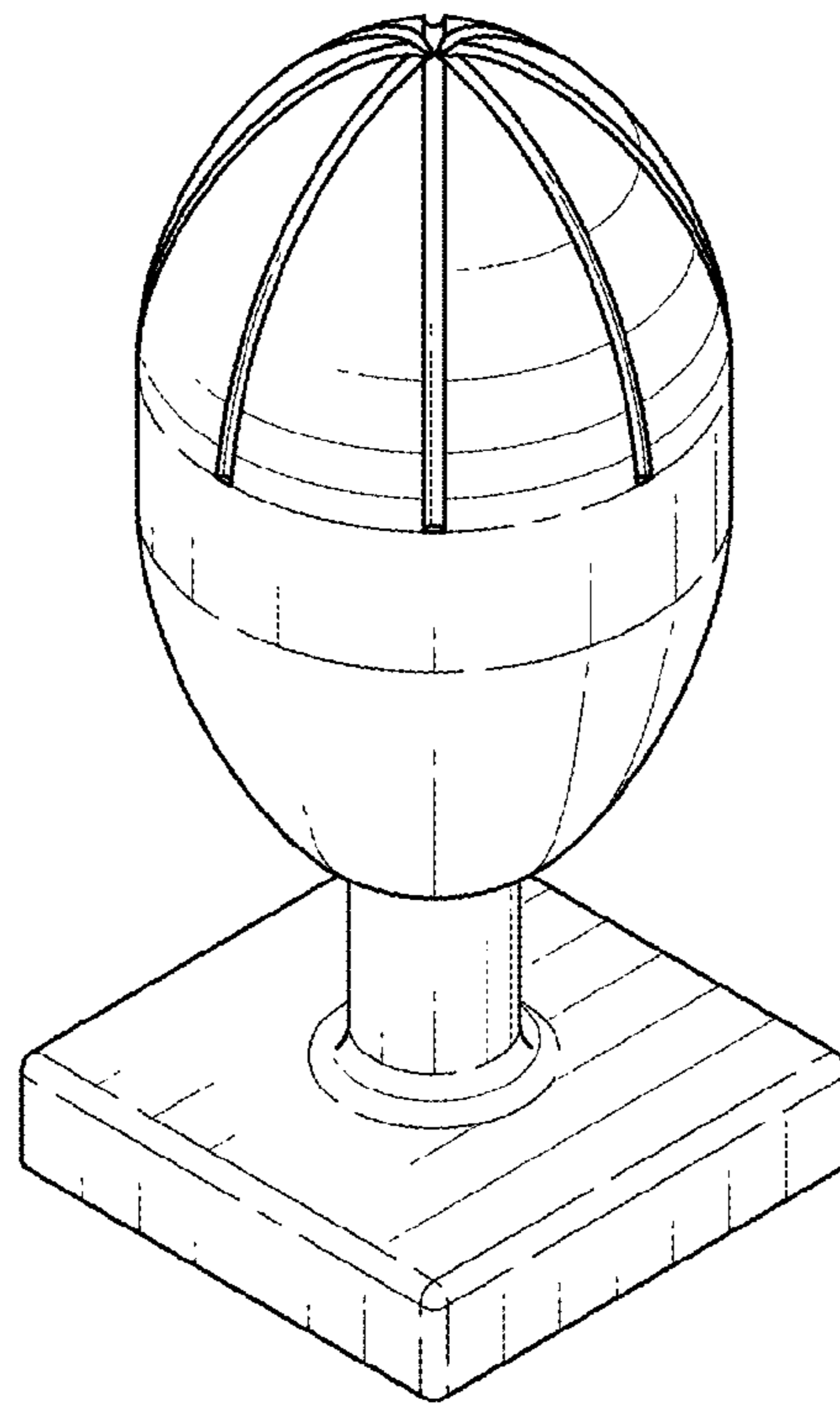


FIG. 1

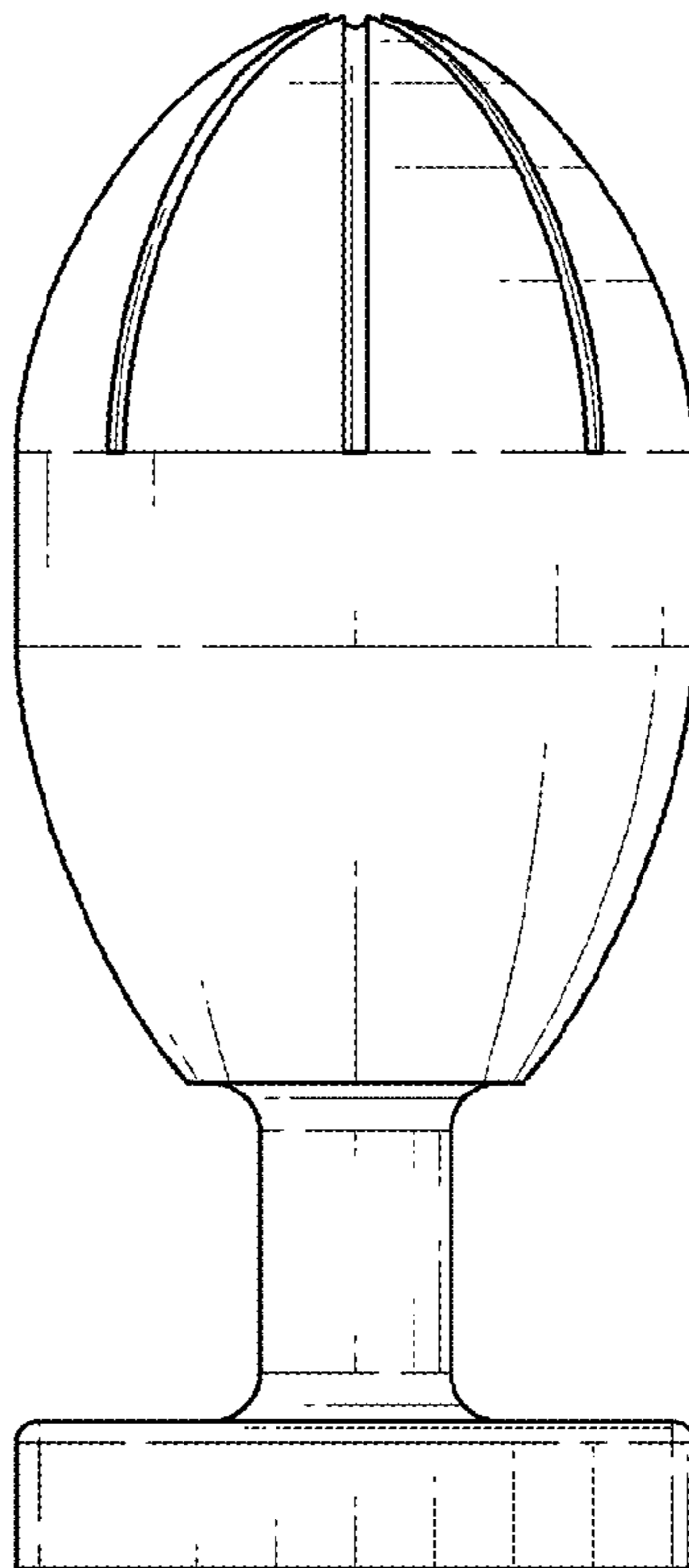


FIG. 2

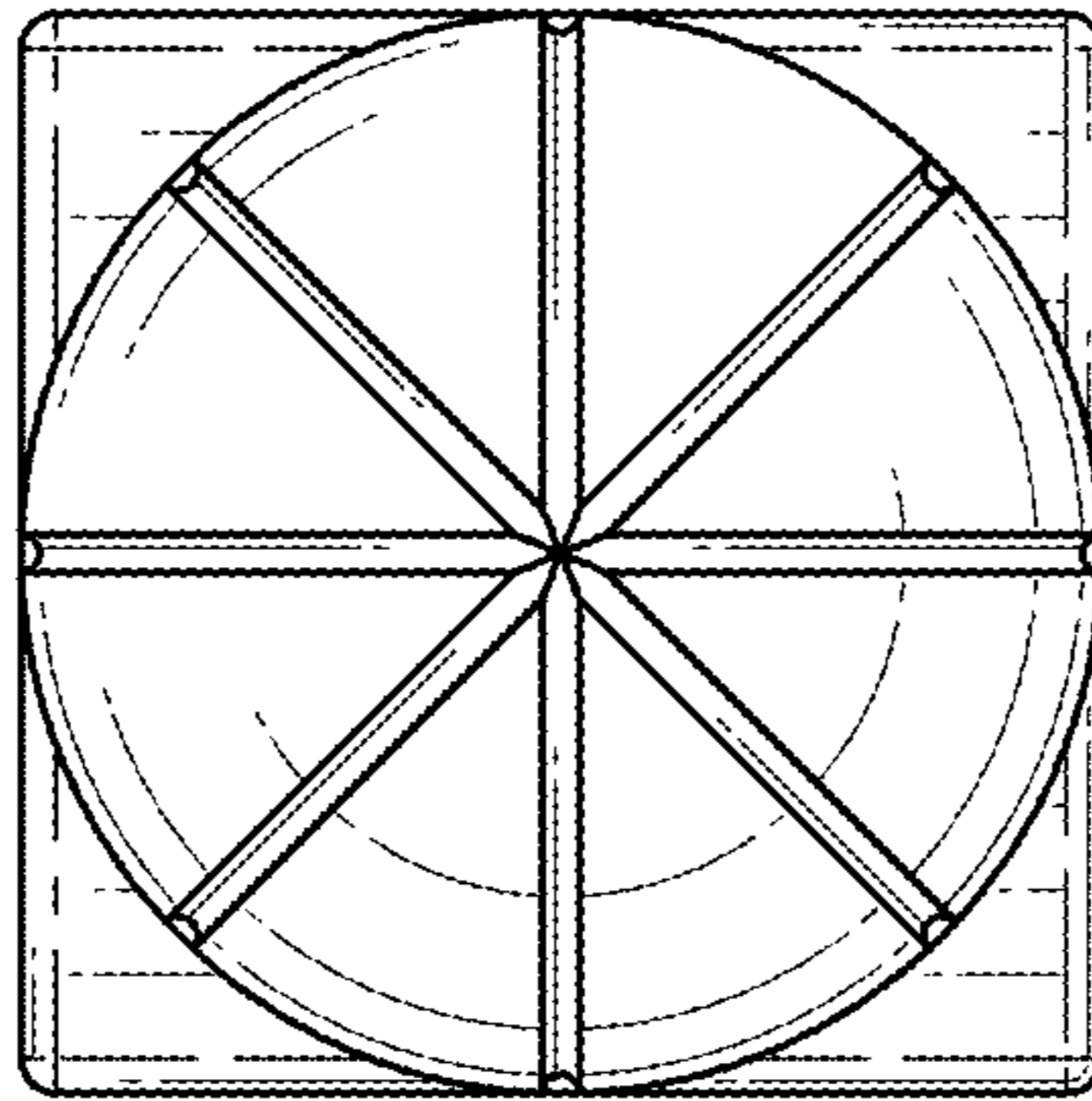


FIG. 3

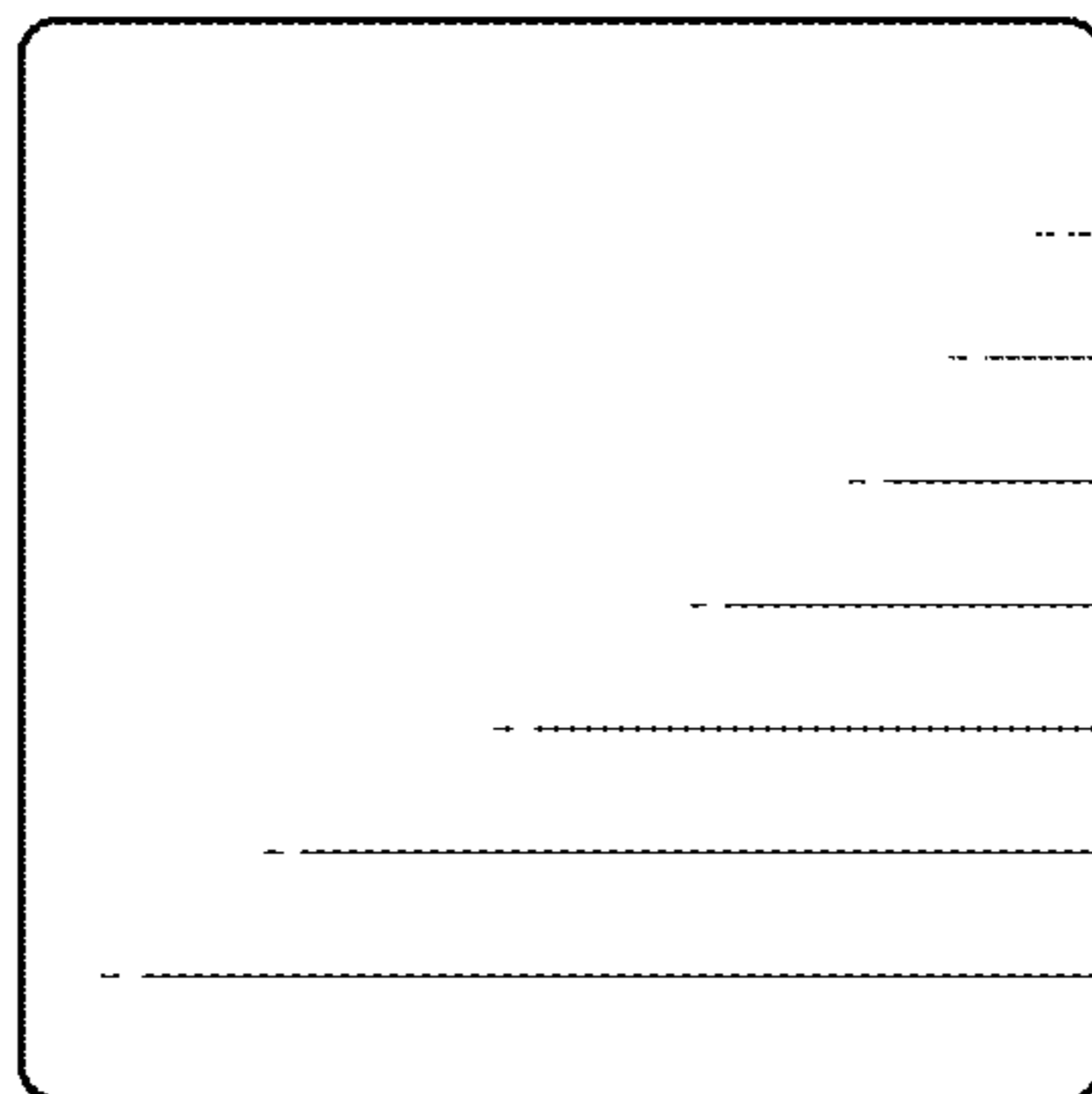


FIG. 4

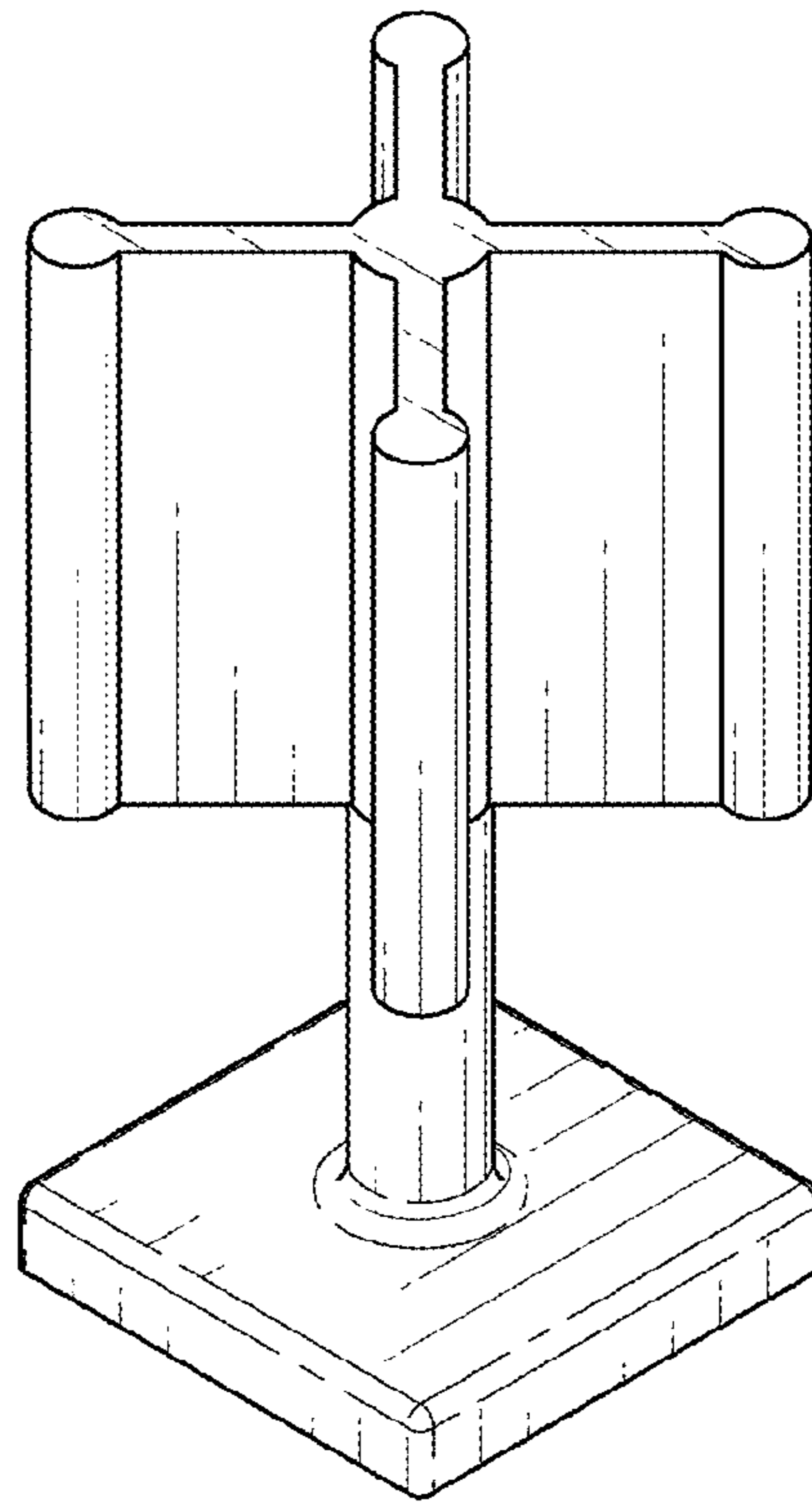


FIG. 5

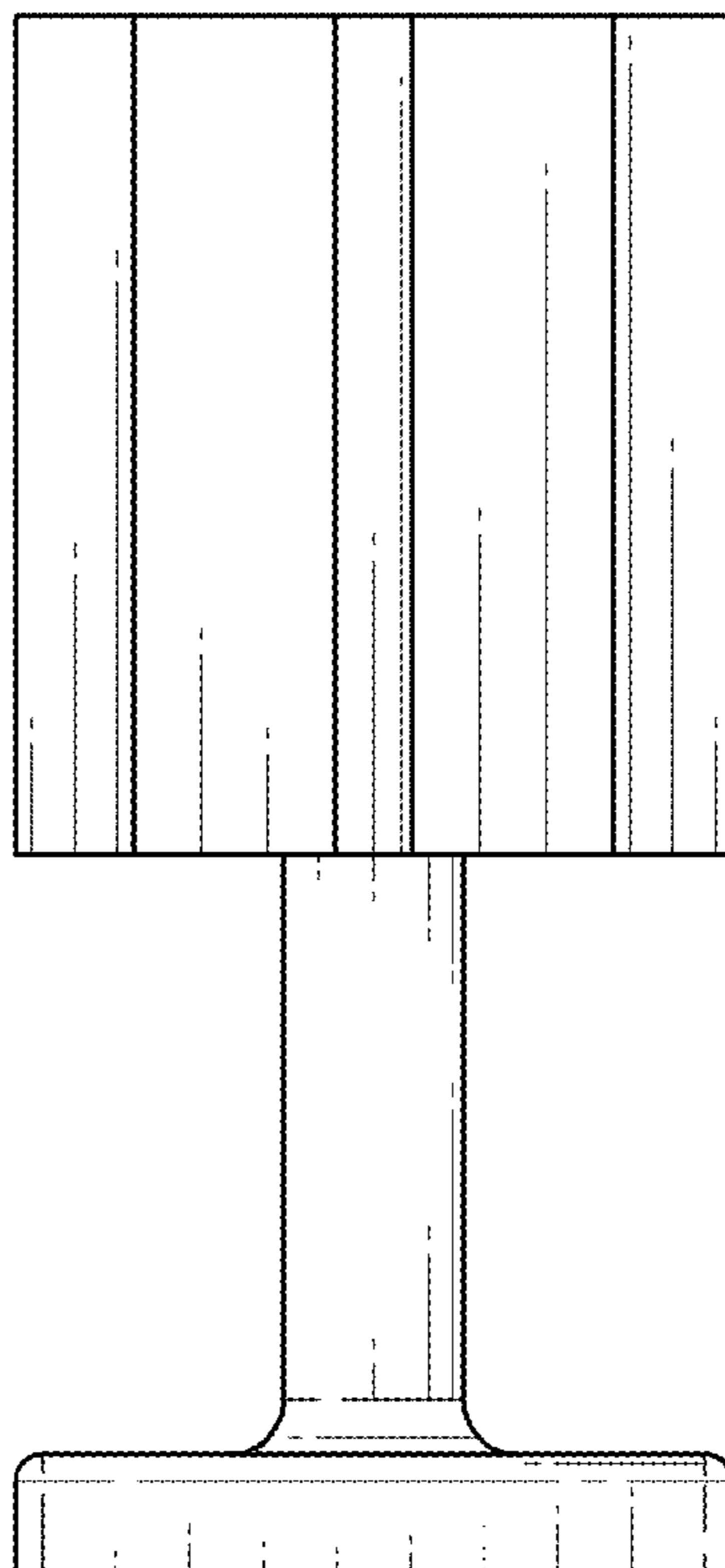


FIG. 6

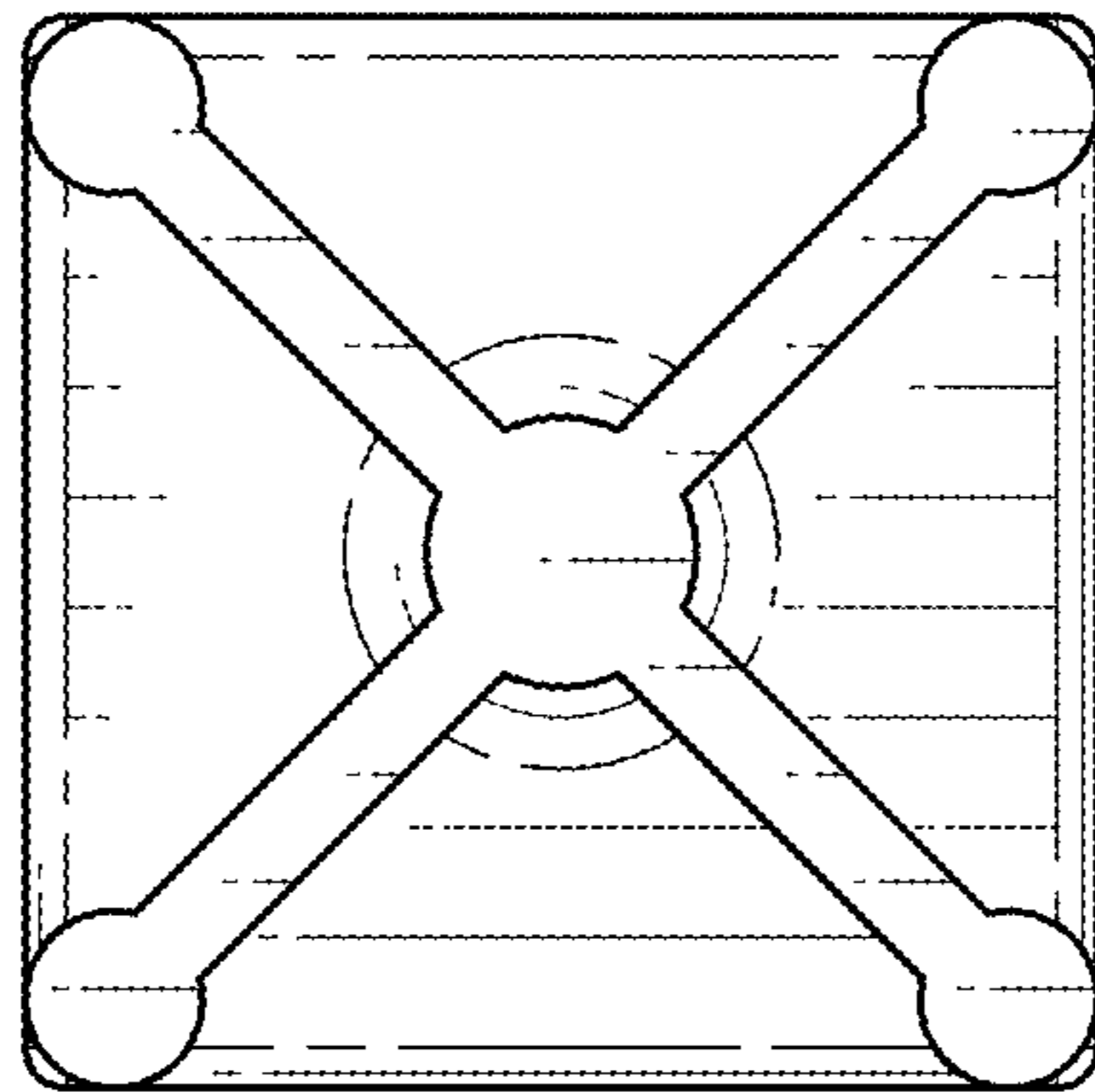


FIG. 7

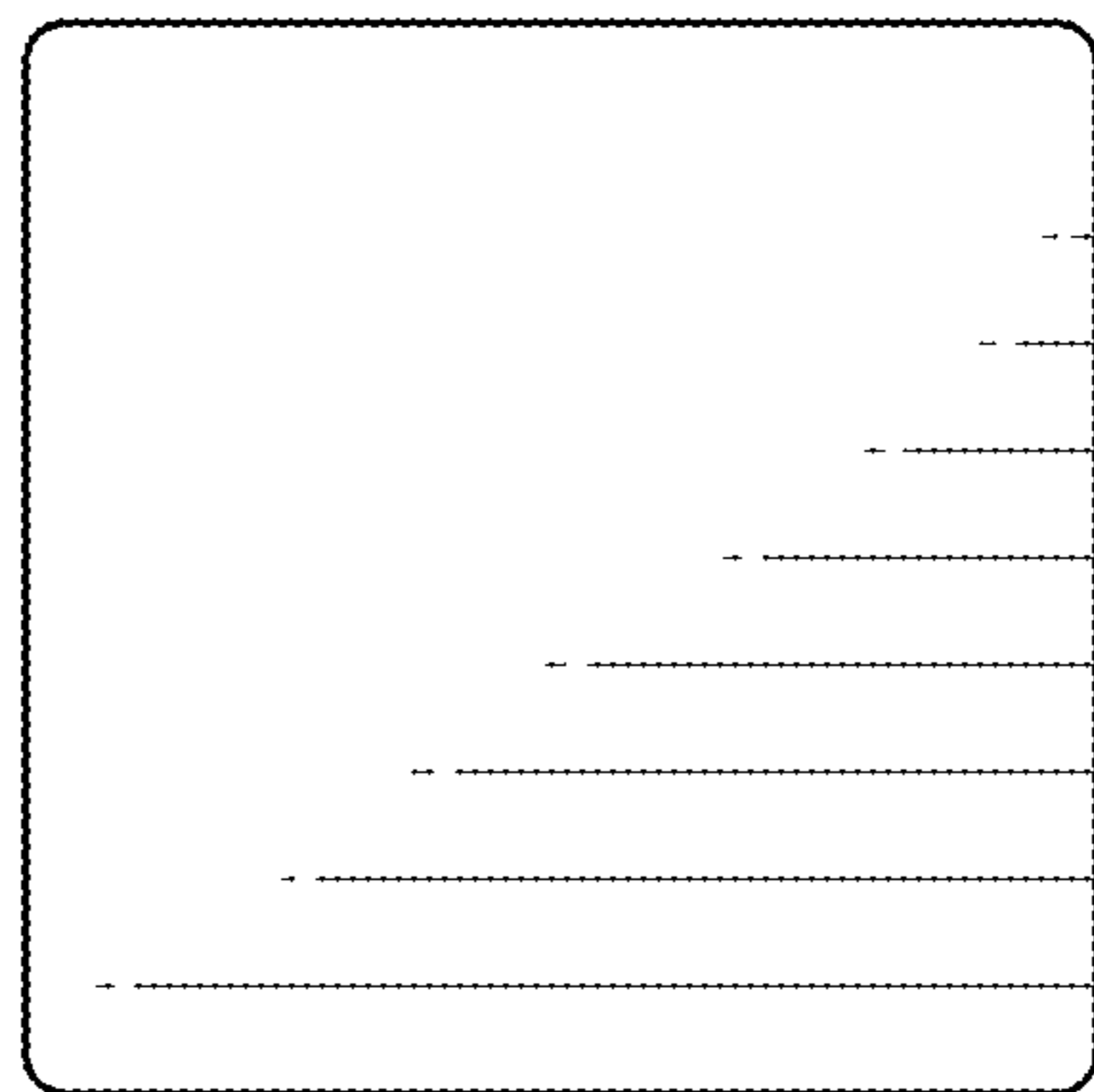


FIG. 8

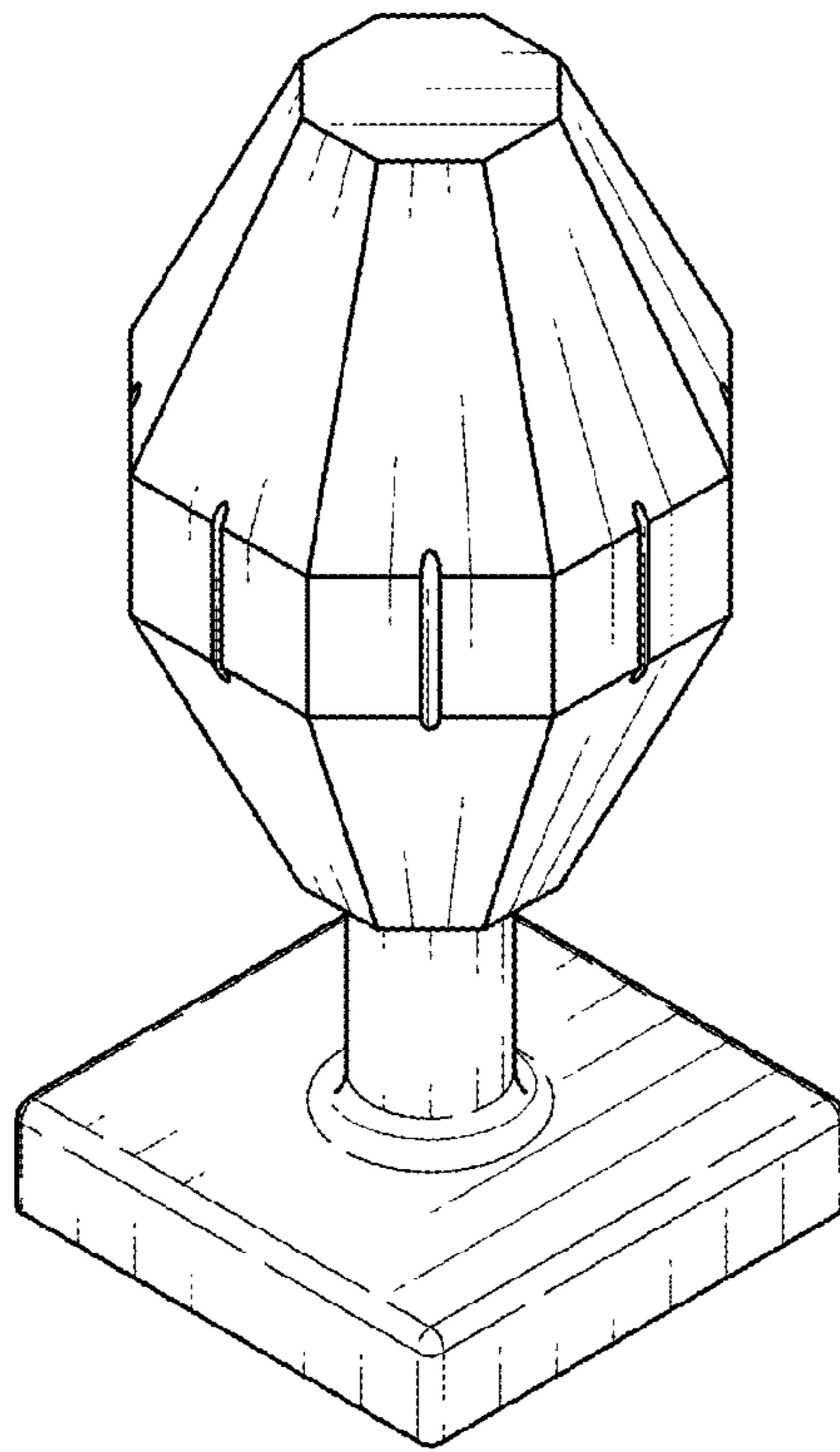


FIG. 9

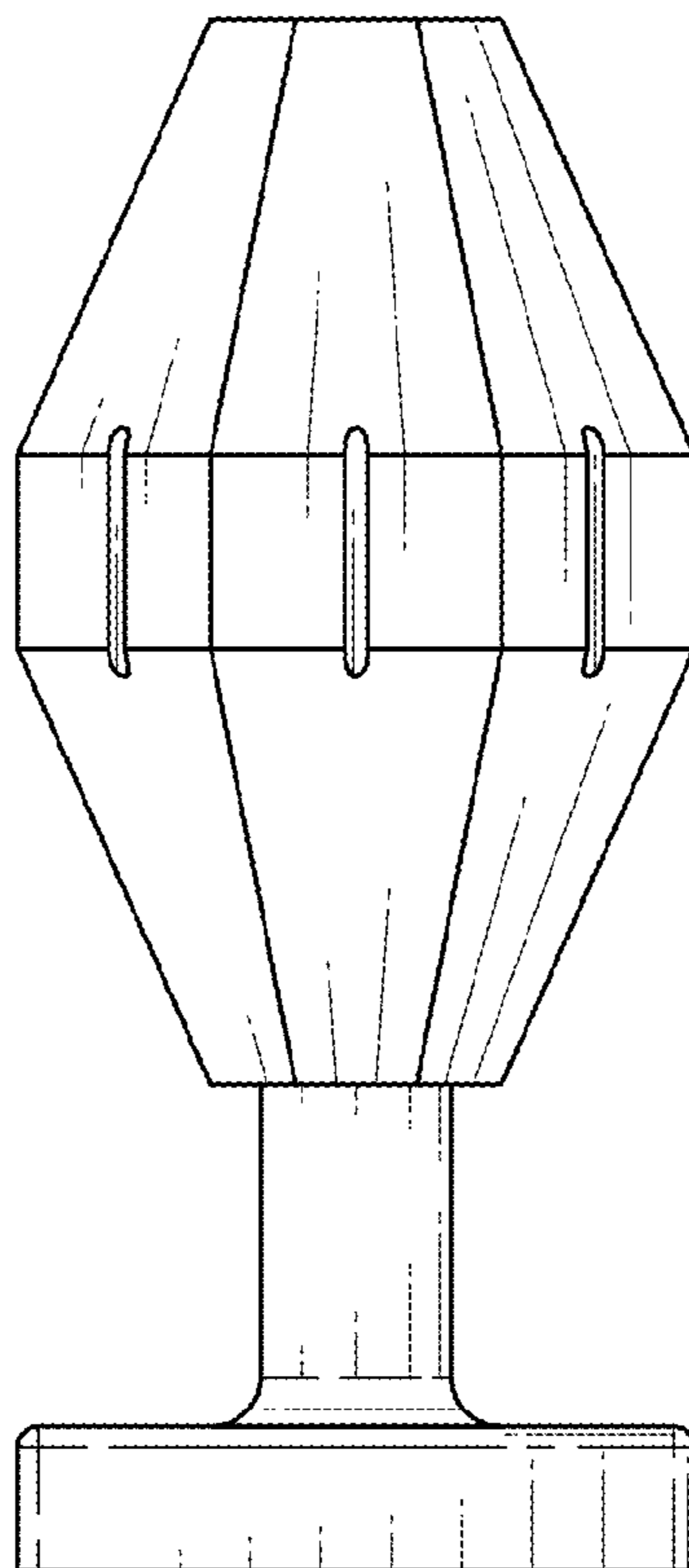


FIG. 10

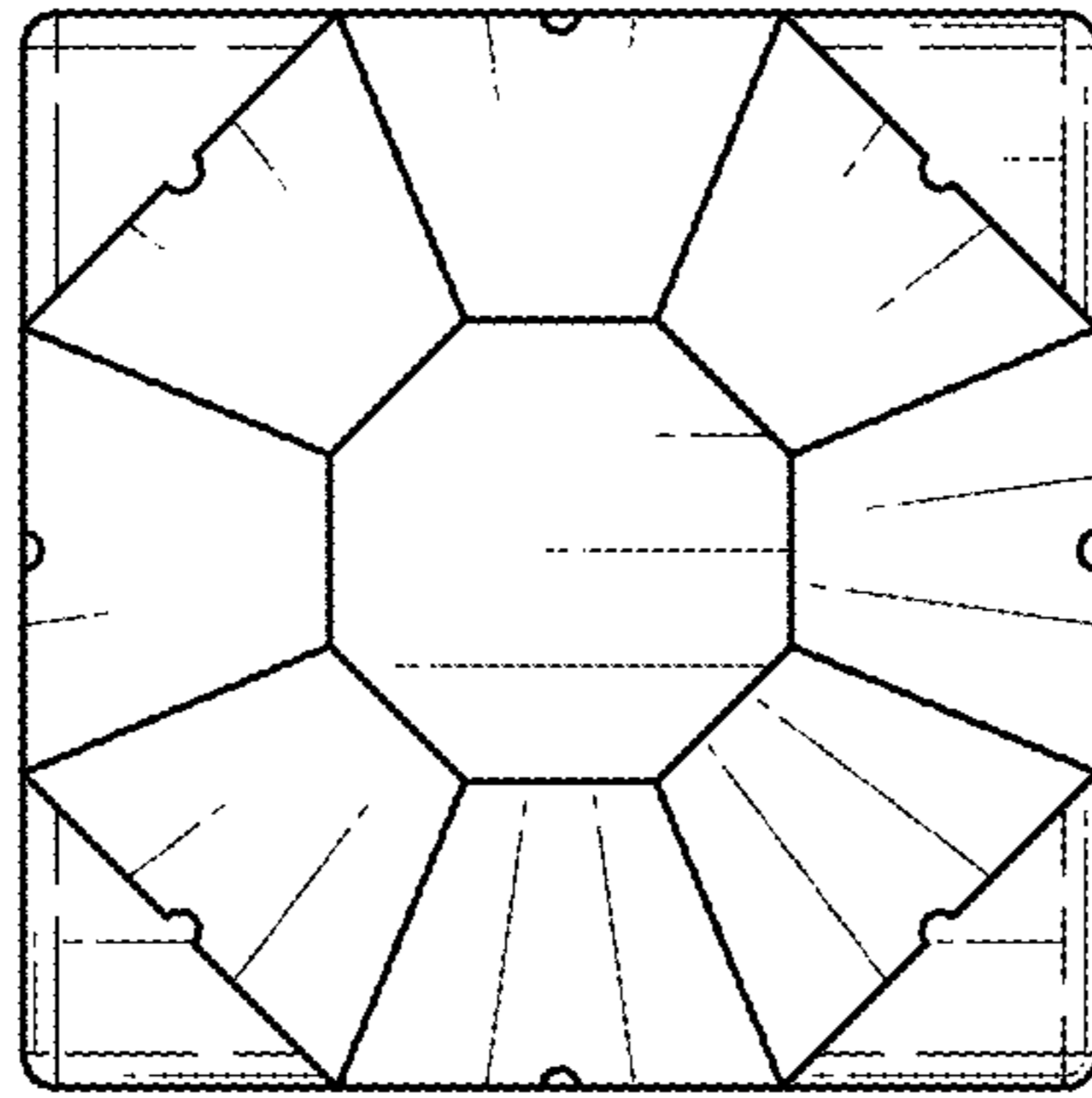


FIG. 11

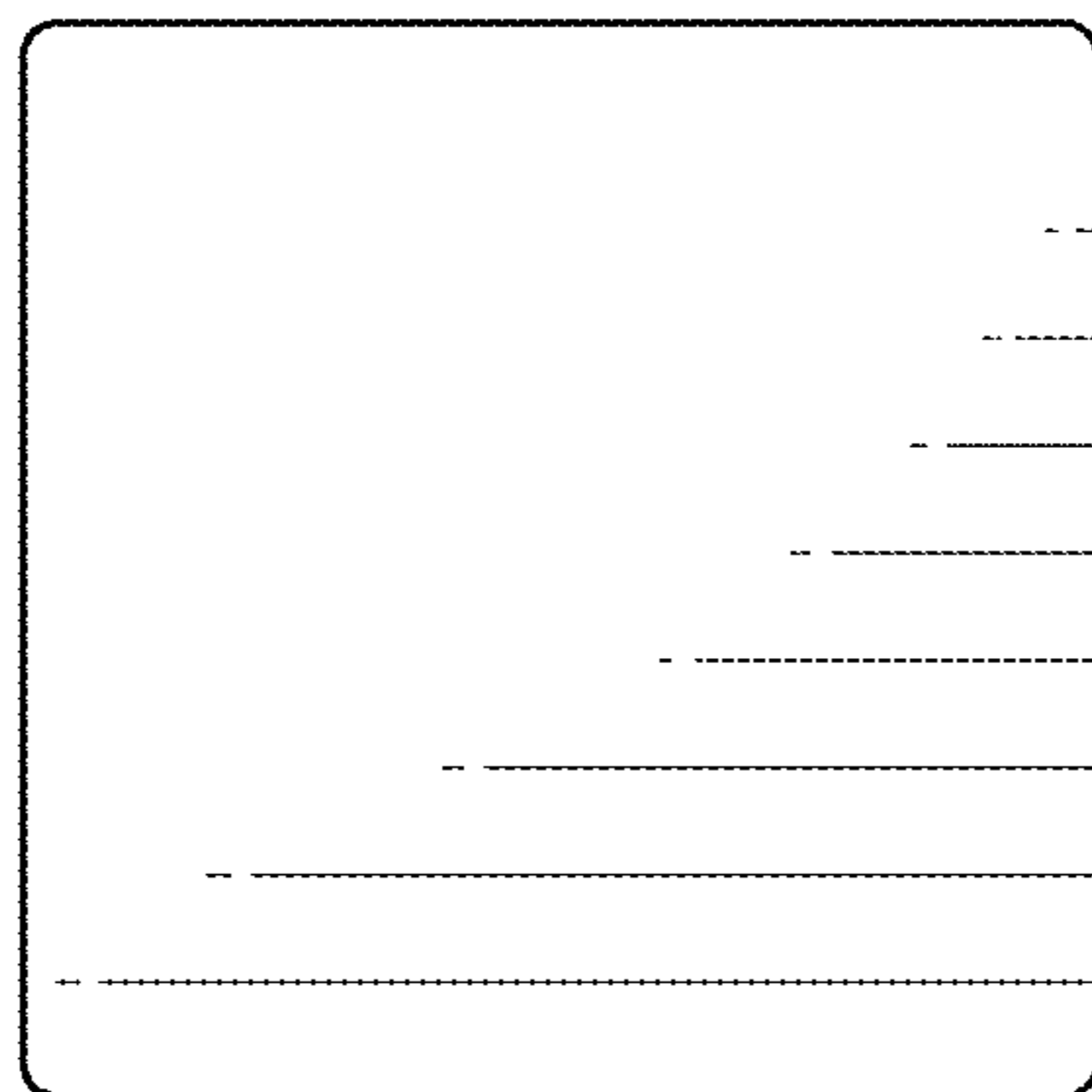


FIG. 12

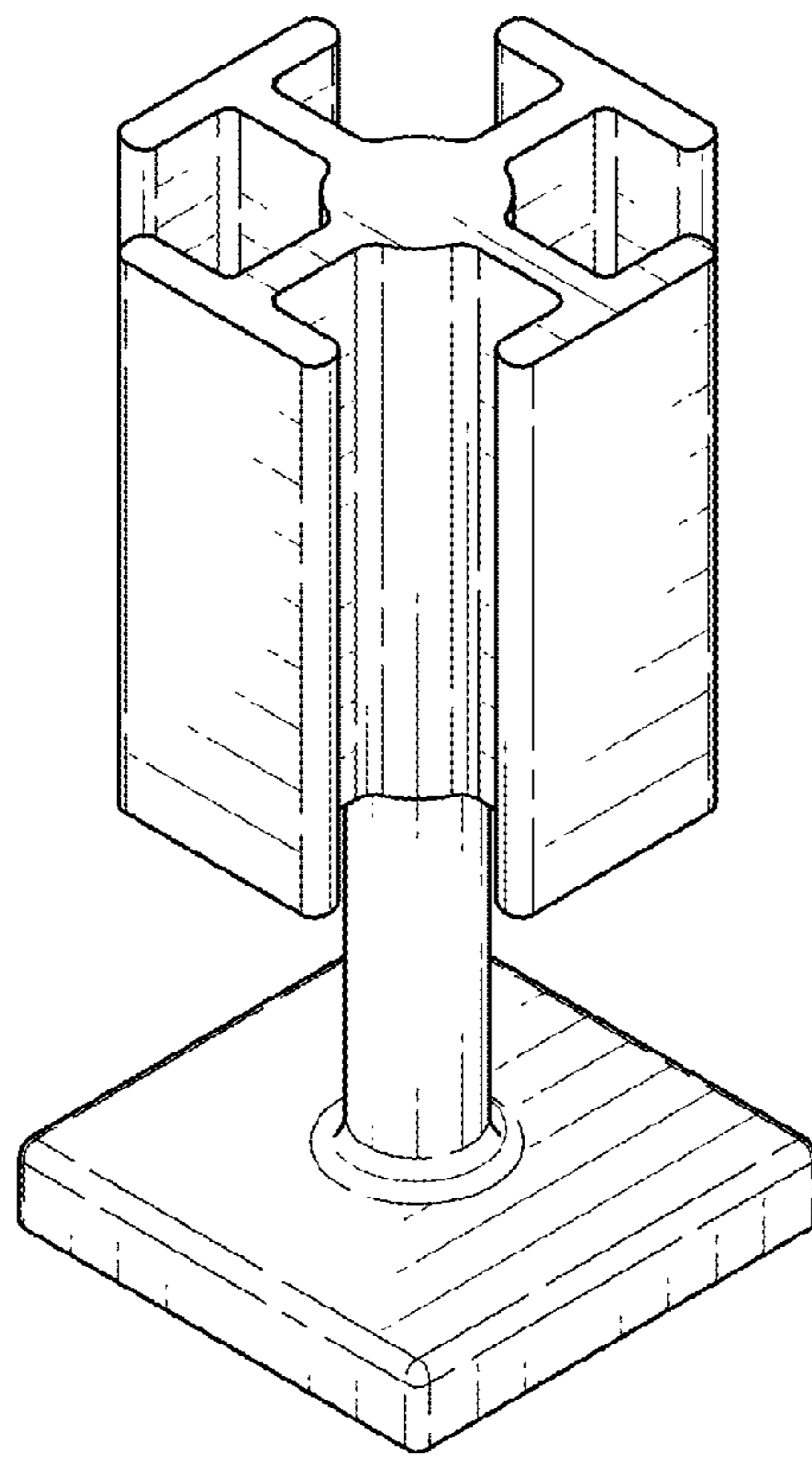


FIG. 13

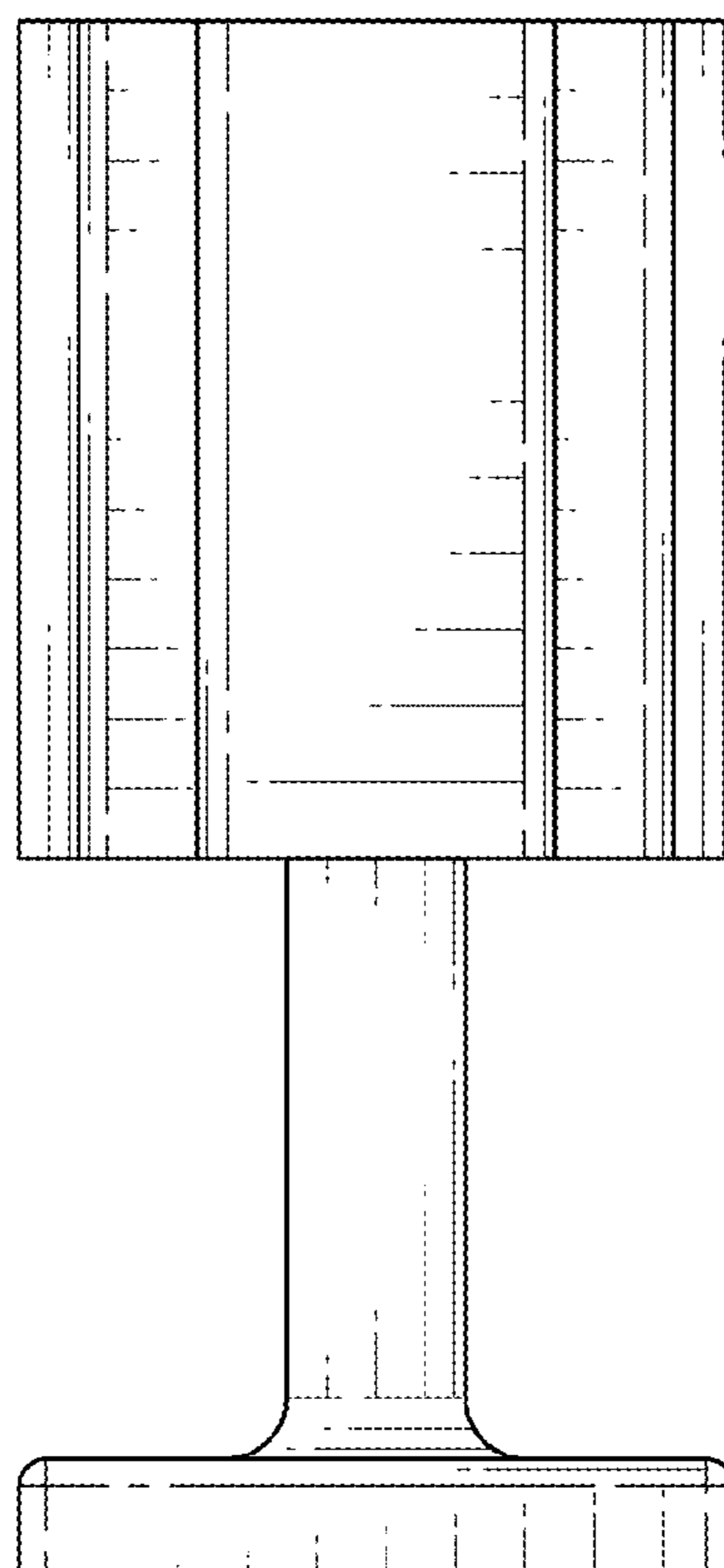


FIG. 14

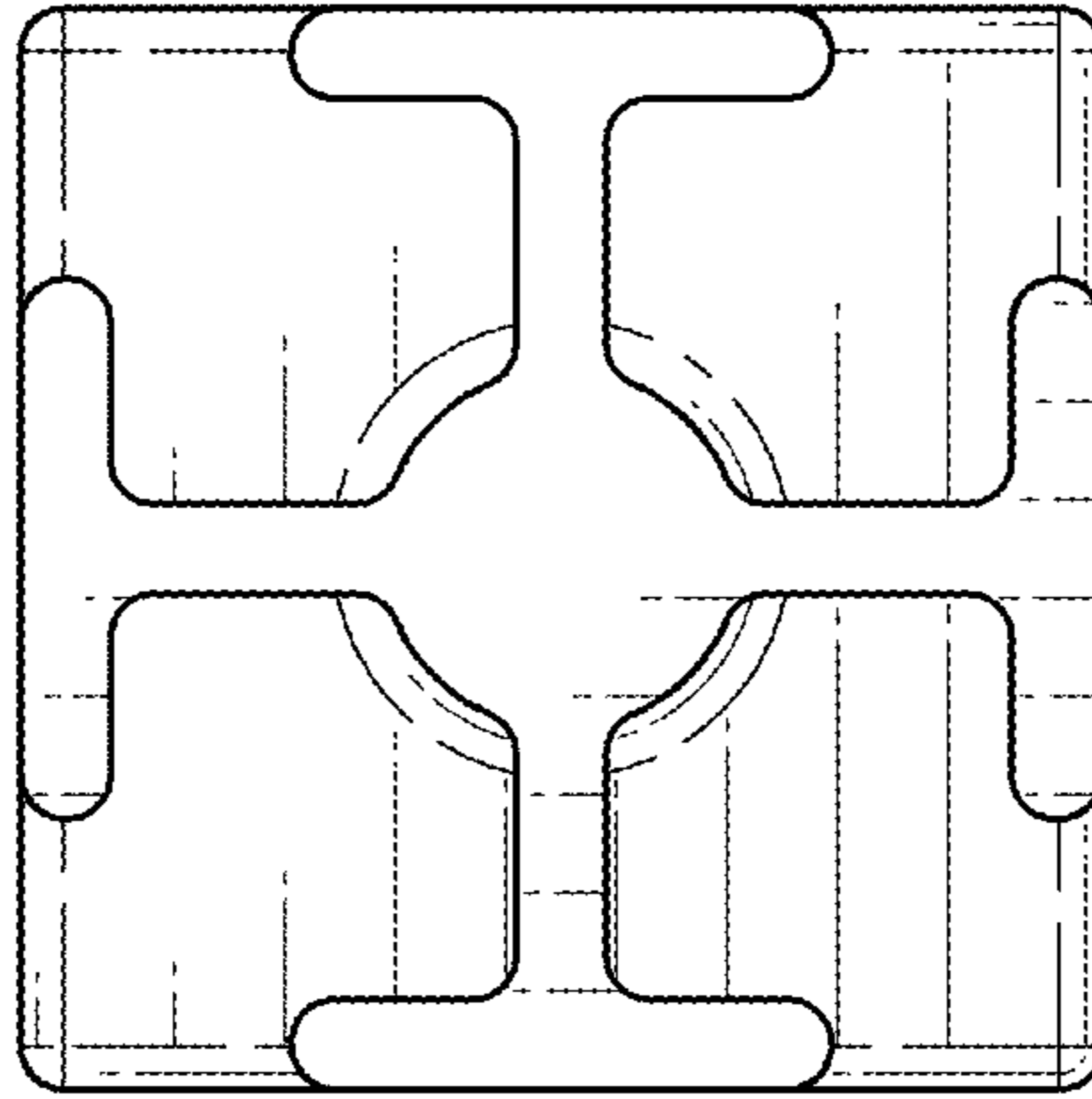


FIG. 15

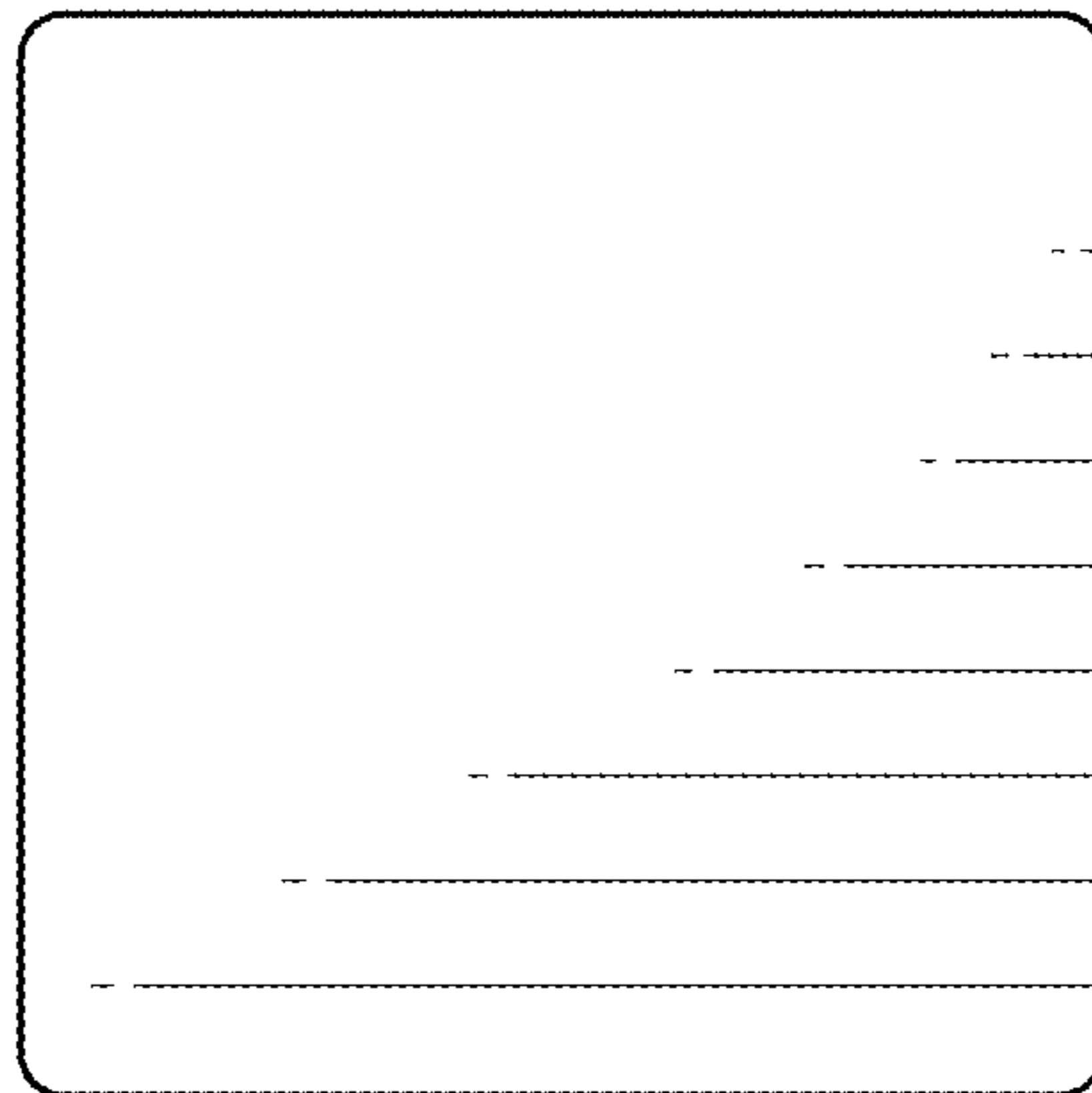


FIG. 16

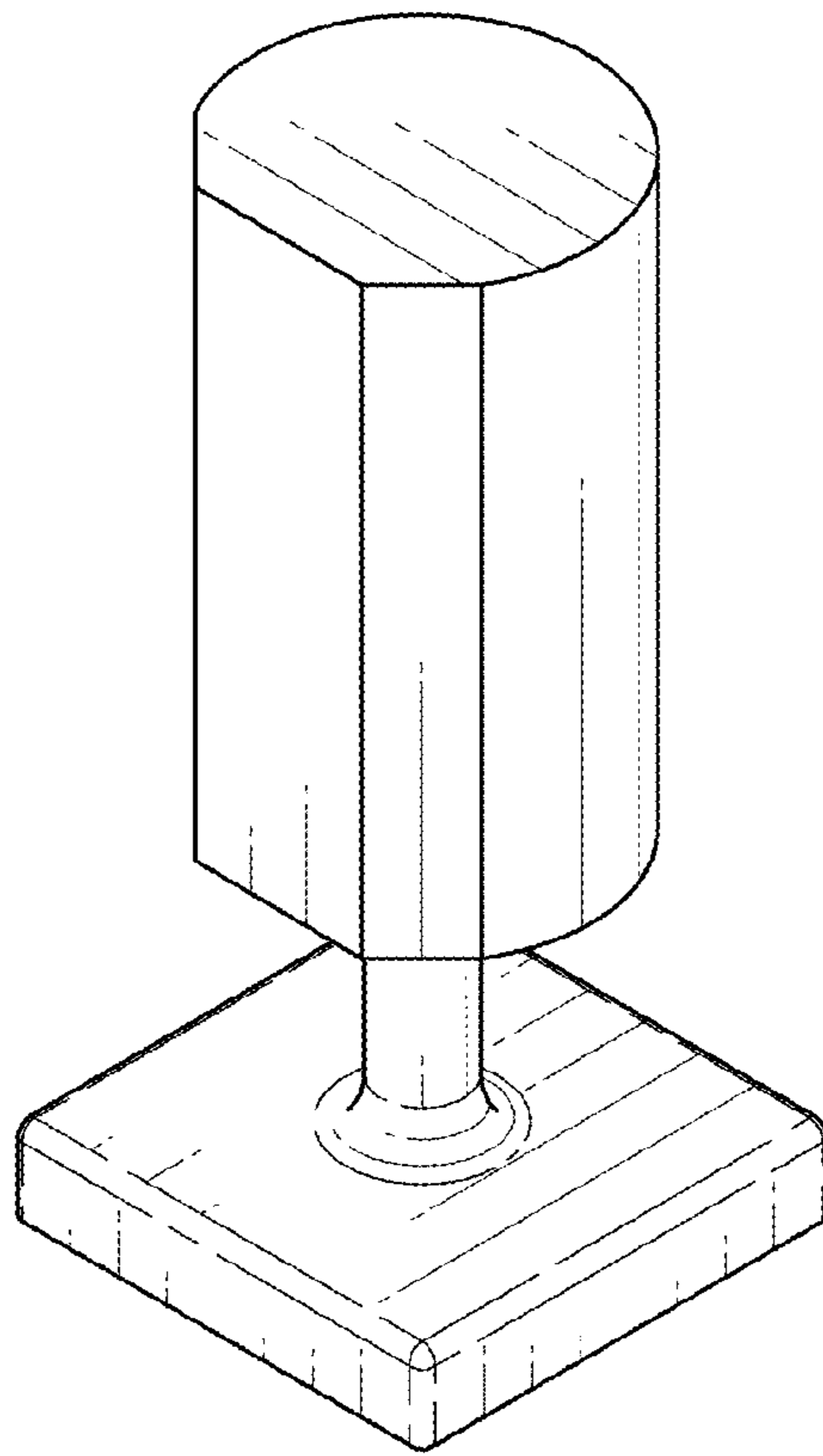


FIG. 17

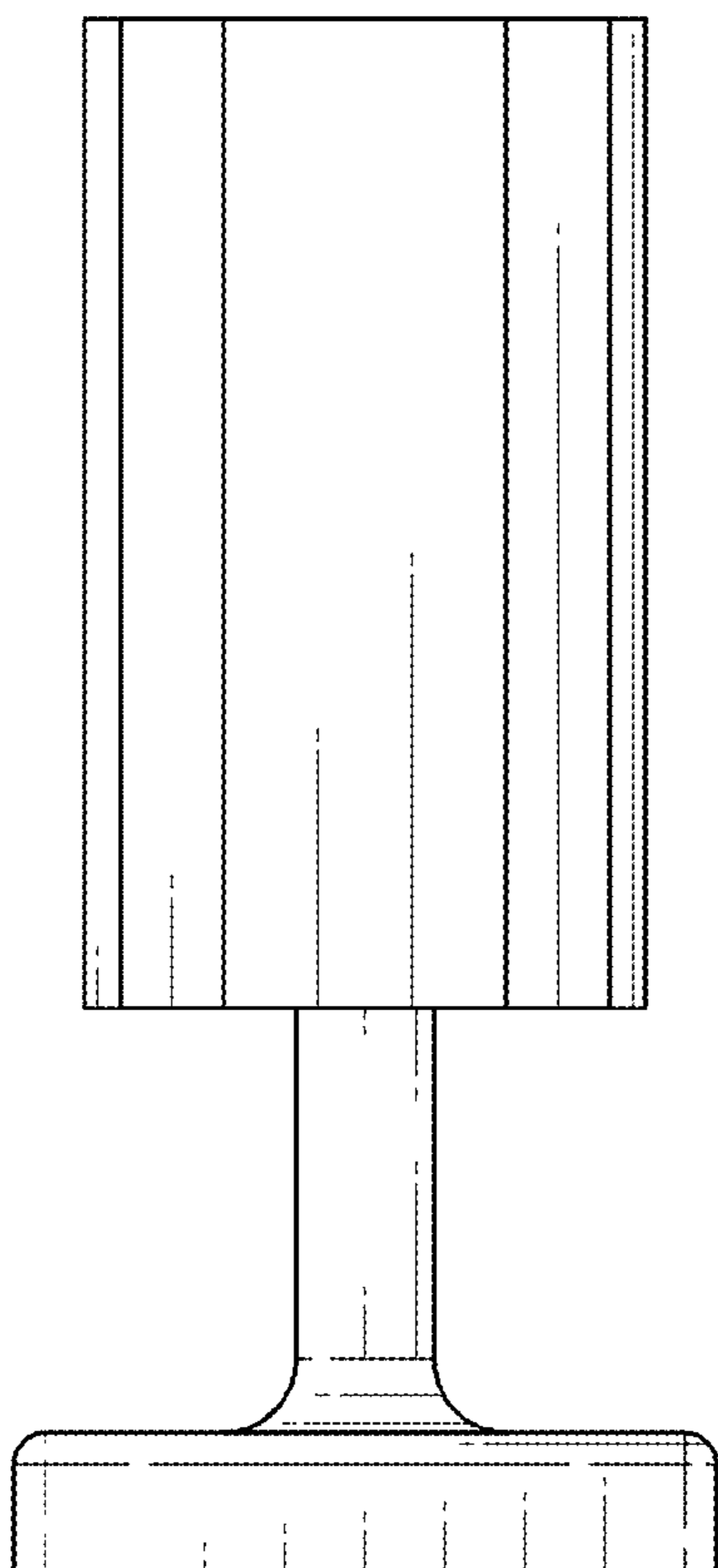


FIG. 18

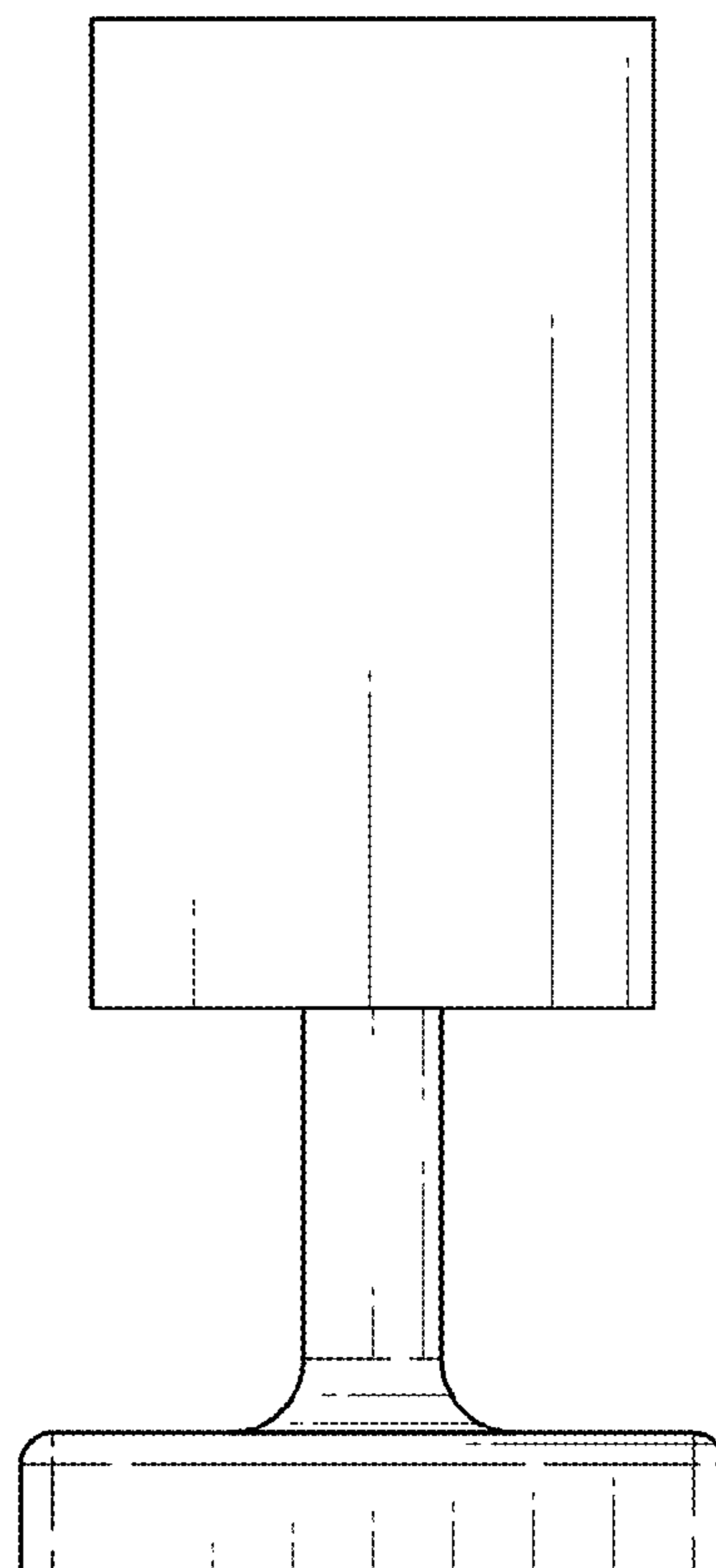


FIG. 19

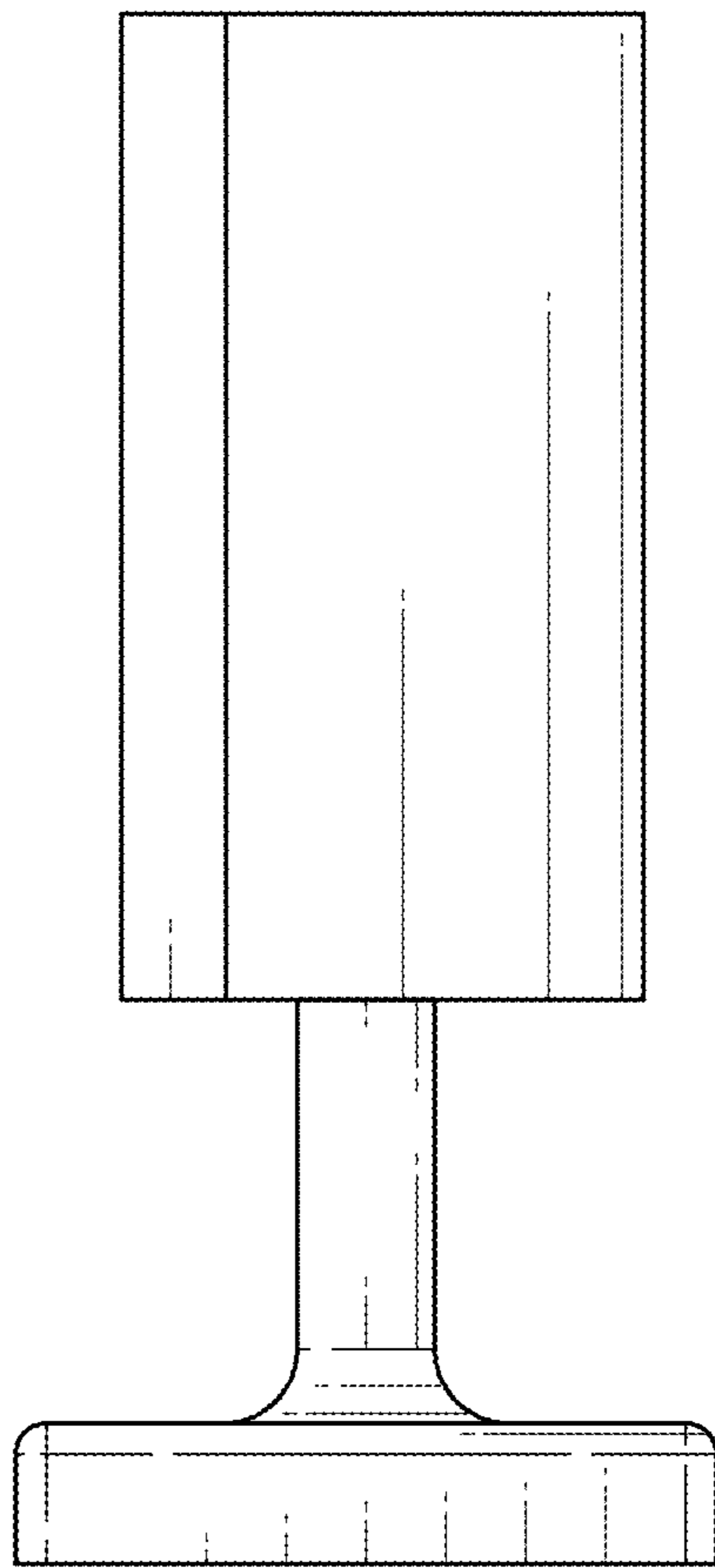


FIG. 20

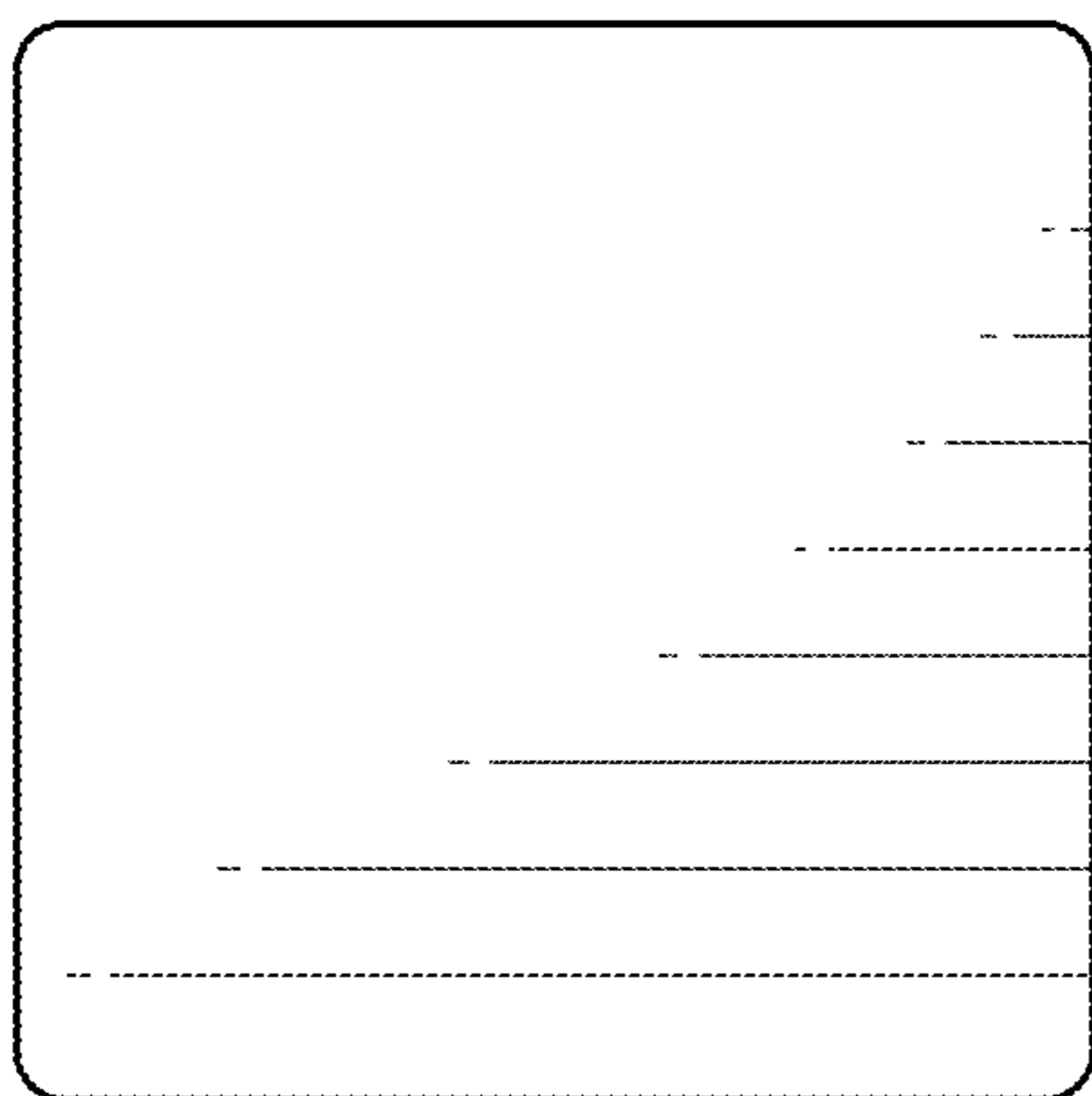


FIG. 22

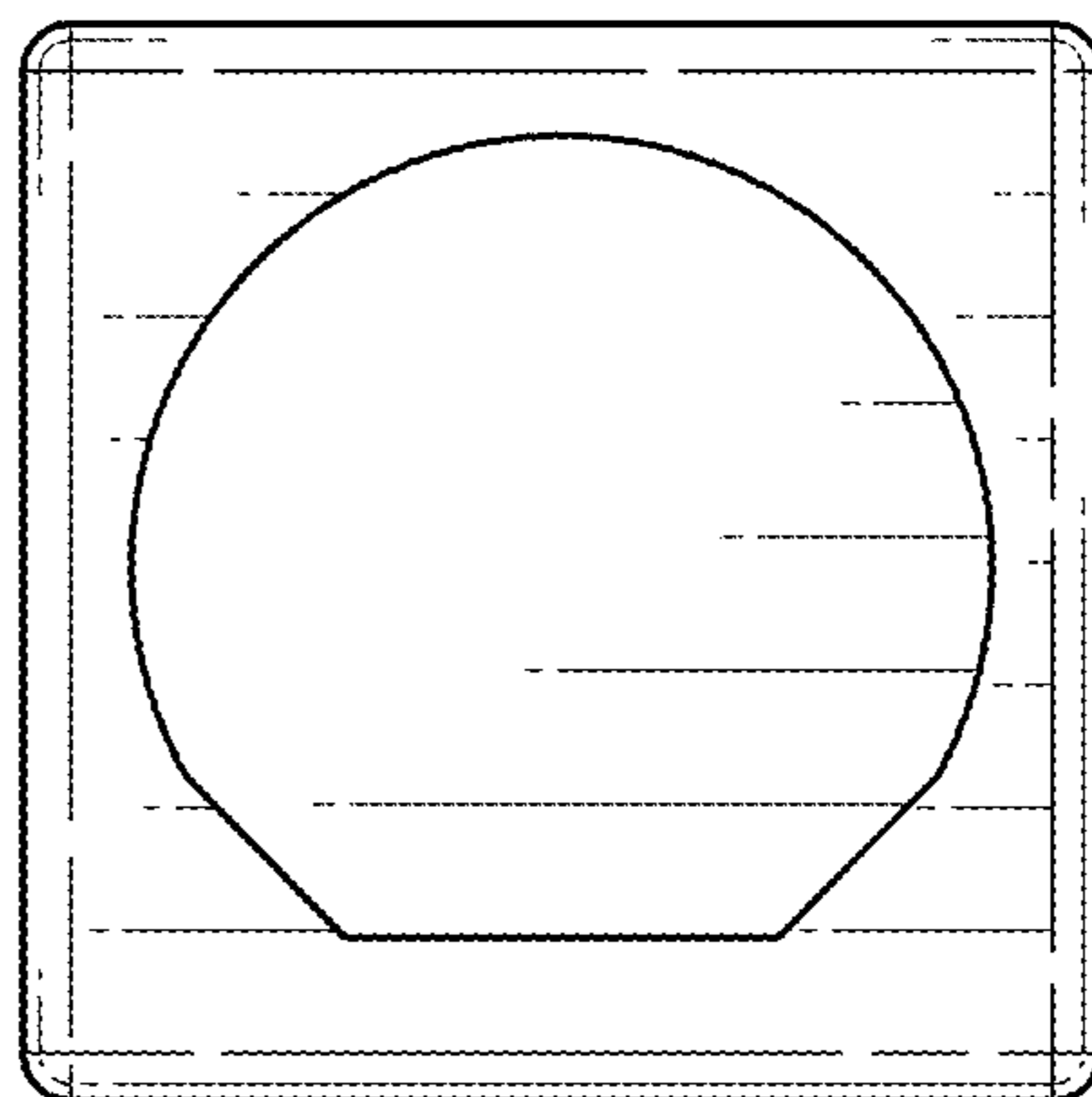


FIG. 21

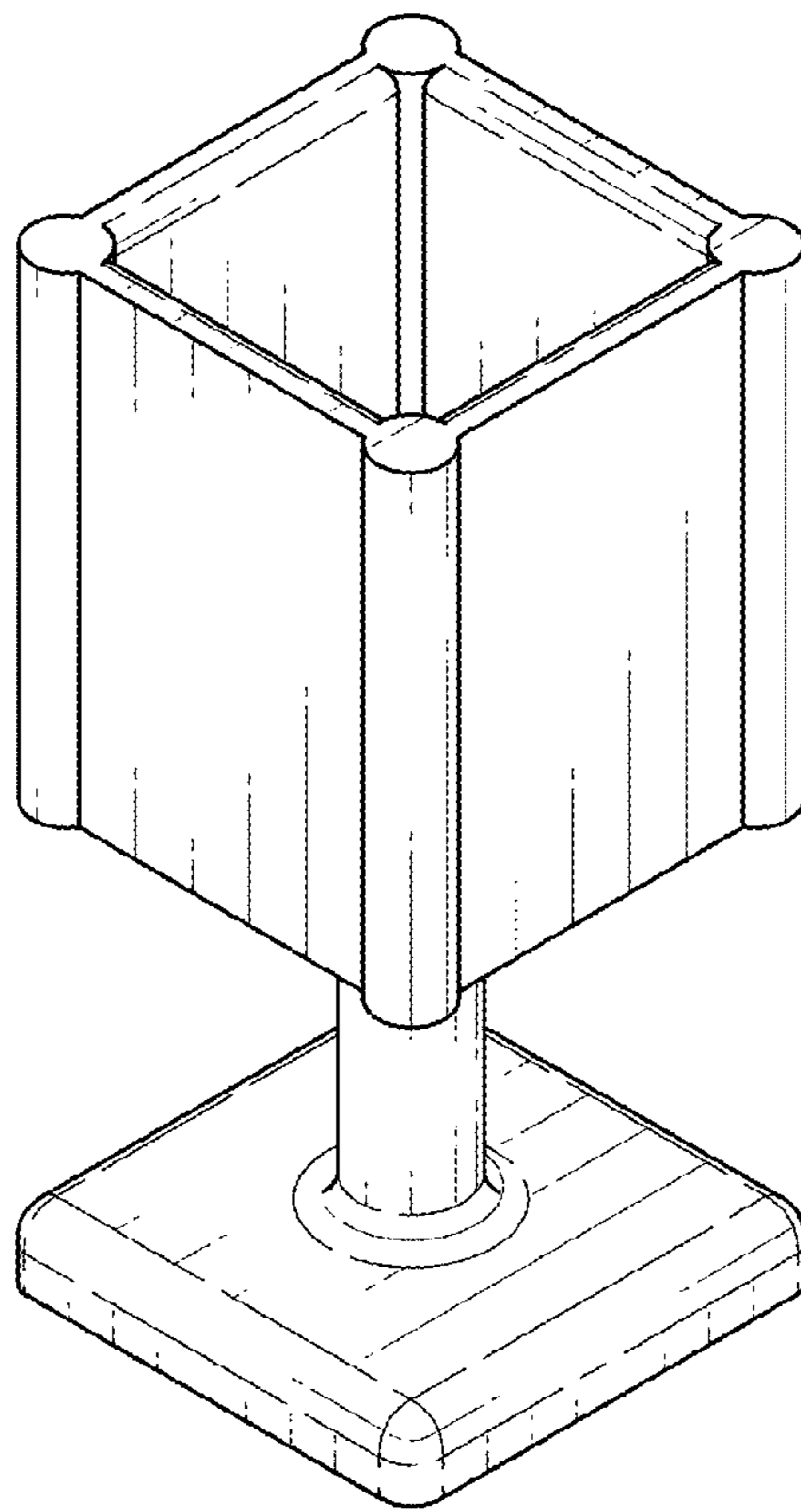


FIG. 23

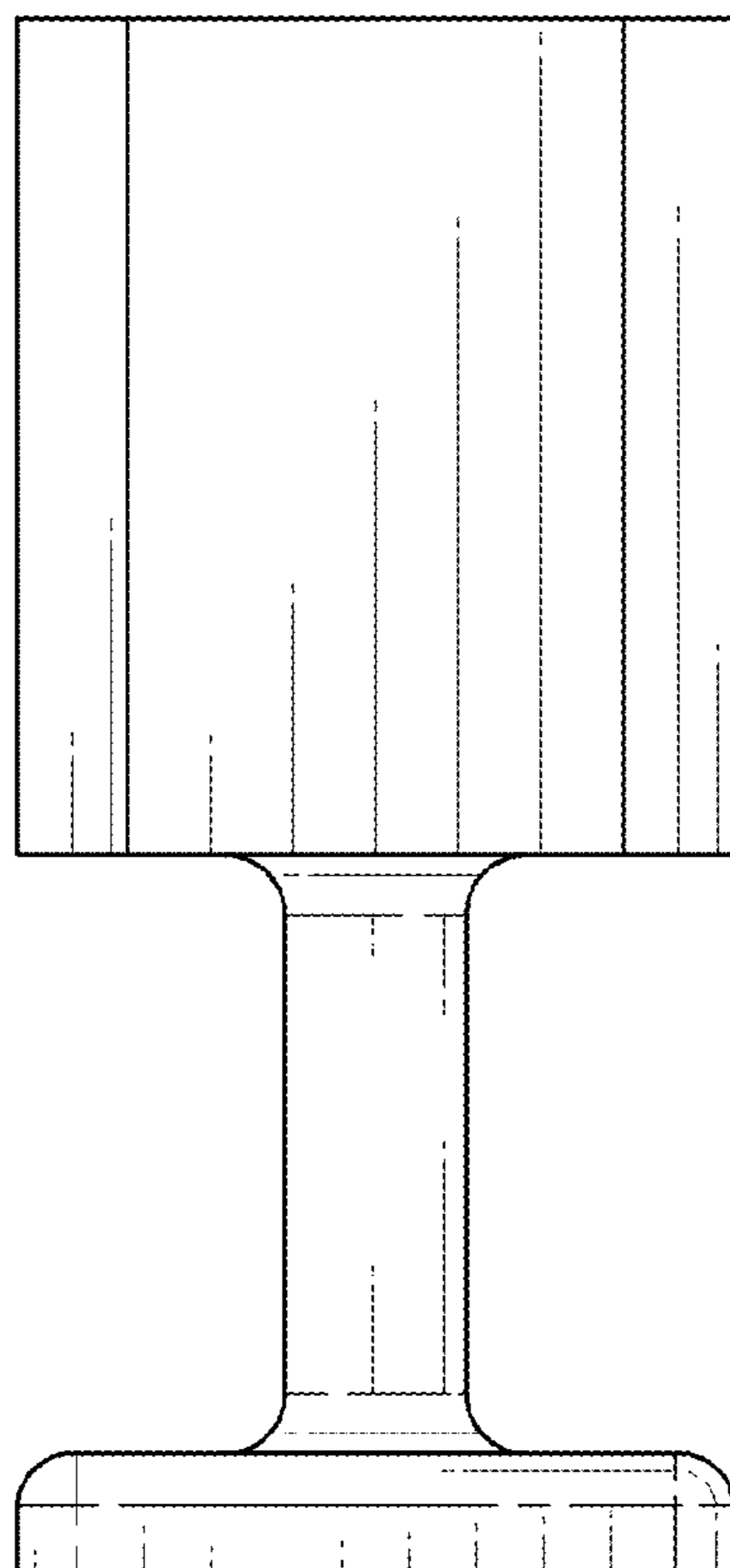


FIG. 24

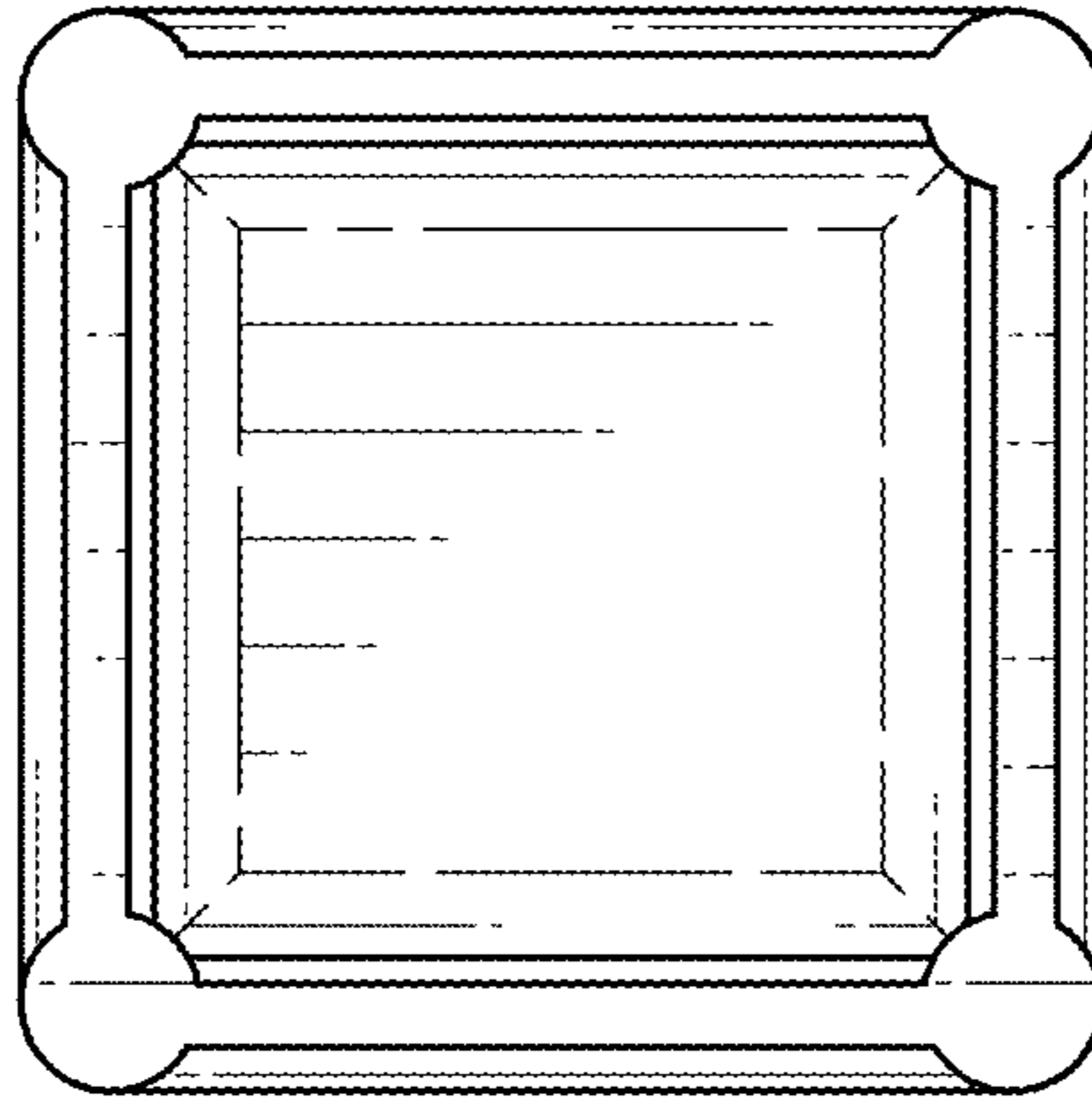


FIG. 25

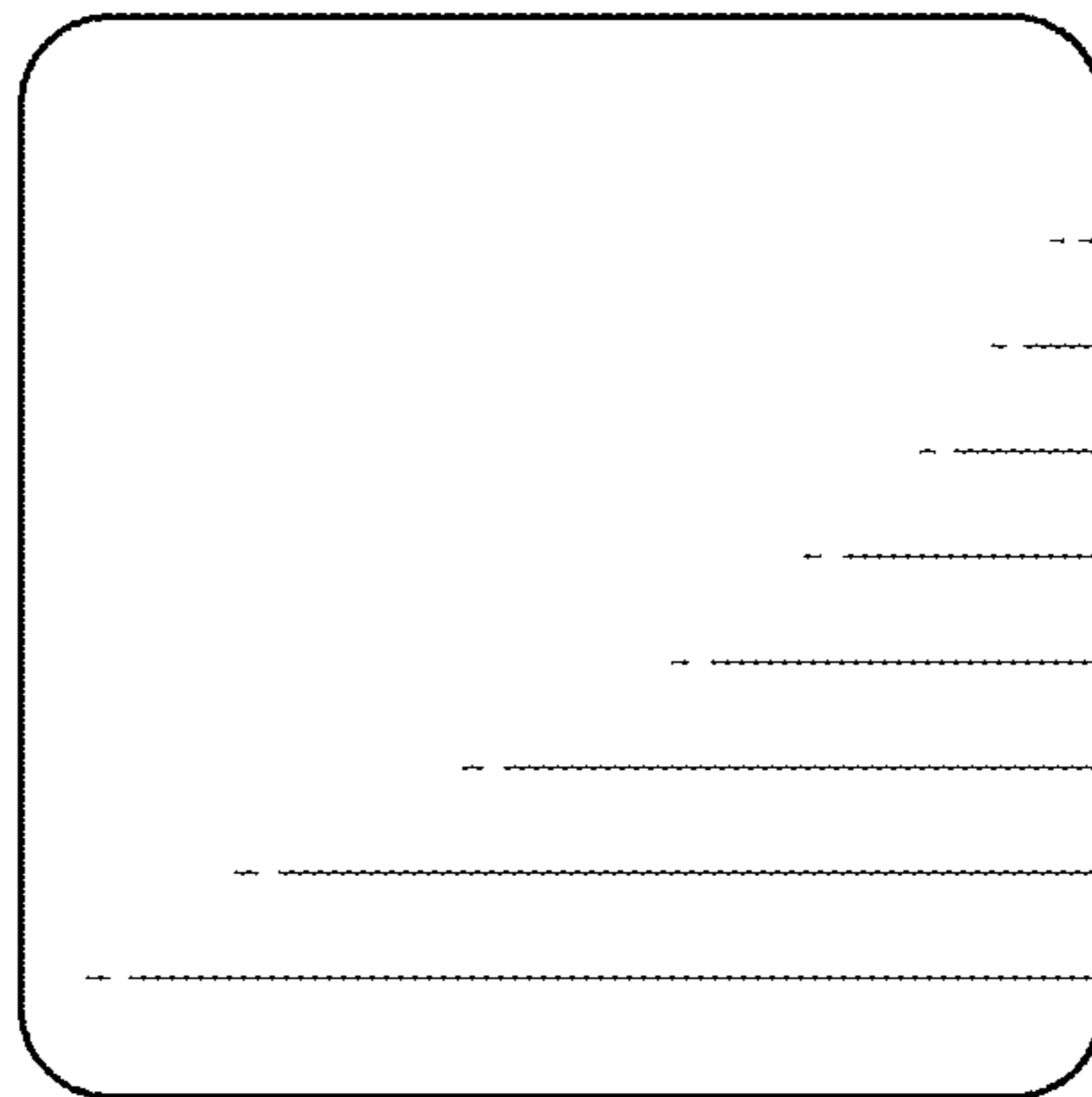


FIG. 26