



US00D986332S

(12) **United States Design Patent**  
**Kurlander**

(10) **Patent No.:** **US D986,332 S**

(45) **Date of Patent:** **\*\* May 16, 2023**

(54) **GAME STAND**

(71) Applicant: **Twin Imports LLC**, Lakewood, NJ  
(US)

(72) Inventor: **Dov Kurlander**, Lakewood, NJ (US)

(73) Assignee: **TWIN IMPORTS LLC**, Lakewood, NJ  
(US)

(\*\*) Term: **15 Years**

(21) Appl. No.: **29/739,120**

(22) Filed: **Jun. 23, 2020**

(51) **LOC (14) Cl.** ..... **21-01**

(52) **U.S. Cl.**  
USPC ..... **D21/337**

(58) **Field of Classification Search**  
USPC ..... D21/334, 336, 337, 338, 341, 349, 386,  
D21/388, 389, 342, 346, 392; 273/236,  
273/241, 242, 260, 287, 288, 290, 148 R,  
273/309, 282.1, 283, 271, 272, 275, 264,  
273/276, 261, 281, 282.2, 282.3, 239,  
273/294, 285, 153 R, 157 R, 357;  
D19/64; 434/188, 190, 191, 205; 235/64  
CPC .... A63F 3/00; A63F 3/00533; A63F 3/00173;  
A63F 3/00261; A63F 3/00542; A63F  
3/00697; A63F 3/02; A63F 2003/00255;  
A63F 2003/0022; A63F 2003/00223;  
A63F 2003/0023; A63F 2003/00406;  
A63F 2003/0041; A63F 2003/00457;  
A63F 2003/00533; A63F 2003/00536;  
A63F 2003/00539; A63F 2003/00558;  
A63F 2003/00599; A63F 2003/007; A63F  
2003/00842; A63F 2003/00845; G09B  
19/02

See application file for complete search history.

(56) **References Cited**

**U.S. PATENT DOCUMENTS**

1,942,291 A \* 1/1934 Jefferson ..... A63F 3/00075  
273/265  
2,224,962 A \* 12/1940 Hines ..... A63F 9/0204  
273/400

3,427,028 A \* 2/1969 Abrahamsen ..... A63F 3/0423  
273/272  
3,506,267 A \* 4/1970 Taillie ..... A63F 3/00  
273/272  
3,554,550 A \* 1/1971 Schram ..... A63B 67/06  
273/392  
D222,485 S \* 10/1971 Grant ..... 273/287  
3,674,272 A \* 7/1972 Wszalek ..... A63F 9/34  
273/271  
3,781,014 A \* 12/1973 Kolwicz ..... A63F 3/02  
D21/337  
3,799,548 A \* 3/1974 Lemkin ..... A63F 3/00694  
273/261  
3,825,262 A \* 7/1974 Grzybowski ..... A63B 67/10  
273/412  
D236,640 S \* 9/1975 Kolwicz ..... D21/337  
(Continued)

*Primary Examiner* — Susan Moon Lee

(74) *Attorney, Agent, or Firm* — Amster, Rothstein &  
Ebenstein LLP

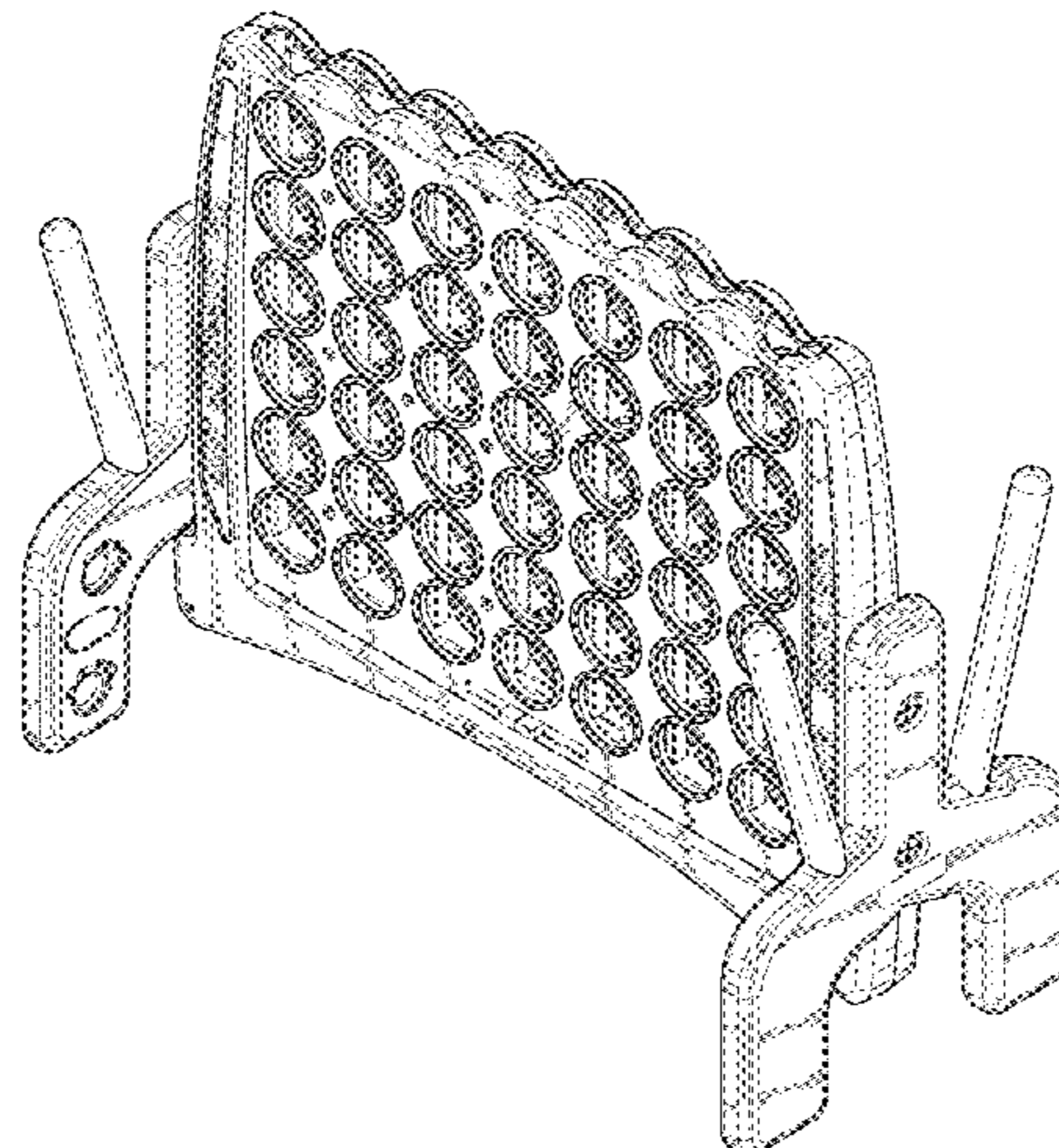
(57) **CLAIM**

The ornamental design for a game stand, as shown and  
described.

**DESCRIPTION**

FIG. 1 is a perspective view of a game stand, showing my  
new design;  
FIG. 2 is a left side view thereof;  
FIG. 3 is a right side view thereof;  
FIG. 4 is a top view thereof;  
FIG. 5 is a bottom view thereof;  
FIG. 6 is a front view thereof; and,  
FIG. 7 is a back view thereof.  
The broken lines in FIGS. 1-7 depict portions of the game  
stand that form no part of the claimed design.

**1 Claim, 7 Drawing Sheets**



(56)

References Cited

U.S. PATENT DOCUMENTS

3,904,206 A \* 9/1975 Kolwicz ..... A63F 3/02  
273/282.1  
4,055,345 A \* 10/1977 Havlik ..... A63F 3/02  
273/289  
4,067,576 A \* 1/1978 Balas ..... A63F 7/0076  
273/123 R  
4,243,227 A \* 1/1981 Strongin ..... A63F 9/02  
273/357  
4,319,754 A \* 3/1982 Yaworsky ..... A63F 3/00075  
273/287  
4,381,112 A \* 4/1983 Dupuy ..... A63F 3/00094  
273/281  
RE34,461 E \* 11/1993 Buselli ..... A63F 9/0208  
273/DIG. 30  
D373,147 S \* 8/1996 Varga ..... D21/303  
5,971,269 A \* 10/1999 Baguley ..... G09B 19/02  
434/205  
D438,910 S \* 3/2001 Culberson ..... D21/303  
6,428,003 B1 \* 8/2002 Fondin ..... A63F 3/00094  
273/287  
6,513,708 B2 \* 2/2003 Evans ..... G09B 19/02  
434/168

6,702,285 B2 \* 3/2004 Cheng ..... A63F 9/12  
273/153 R  
D535,703 S \* 1/2007 Creech ..... D21/337  
D539,350 S \* 3/2007 Vazquez Gastellu ..... D19/64  
D600,286 S \* 9/2009 Pruitt ..... D21/303  
D605,706 S \* 12/2009 DeOreo ..... D21/337  
D605,707 S \* 12/2009 Dean ..... D21/337  
D605,708 S \* 12/2009 Chapman ..... D21/337  
D613,342 S \* 4/2010 Hextall ..... D21/337  
7,810,814 B1 \* 10/2010 Chapman ..... A63F 3/00094  
273/287  
D680,814 S \* 4/2013 Betesh ..... D7/600.1  
D729,320 S \* 5/2015 Parker ..... D21/303  
D759,761 S \* 6/2016 Connell ..... D21/337  
D779,240 S \* 2/2017 Tio ..... D6/675  
D807,964 S \* 1/2018 Coran ..... D21/303  
10,166,464 B2 \* 1/2019 Todokoro ..... A63F 9/0865  
D852,555 S \* 7/2019 Fenneman ..... D6/675.1  
D864,304 S \* 10/2019 Macadam ..... D21/337  
D955,480 S \* 6/2022 Hyppa ..... D21/302  
2010/0096806 A1 \* 4/2010 Hextall ..... A63F 3/00  
273/271  
2014/0159309 A1 \* 6/2014 Jiang ..... A63F 3/00634  
273/271  
2018/0256954 A1 \* 9/2018 Schmidt ..... A63B 63/08

\* cited by examiner

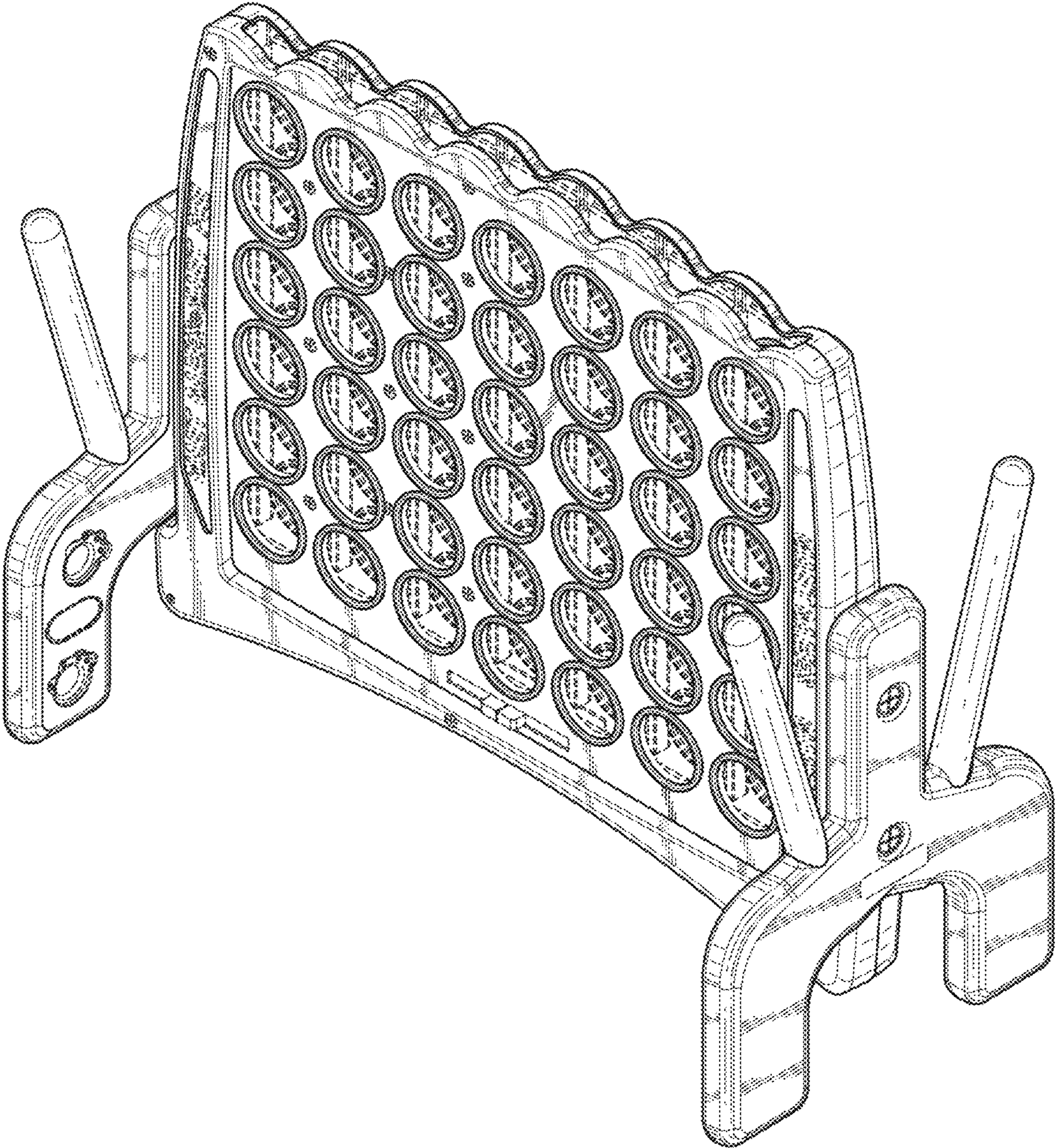


FIG. 1

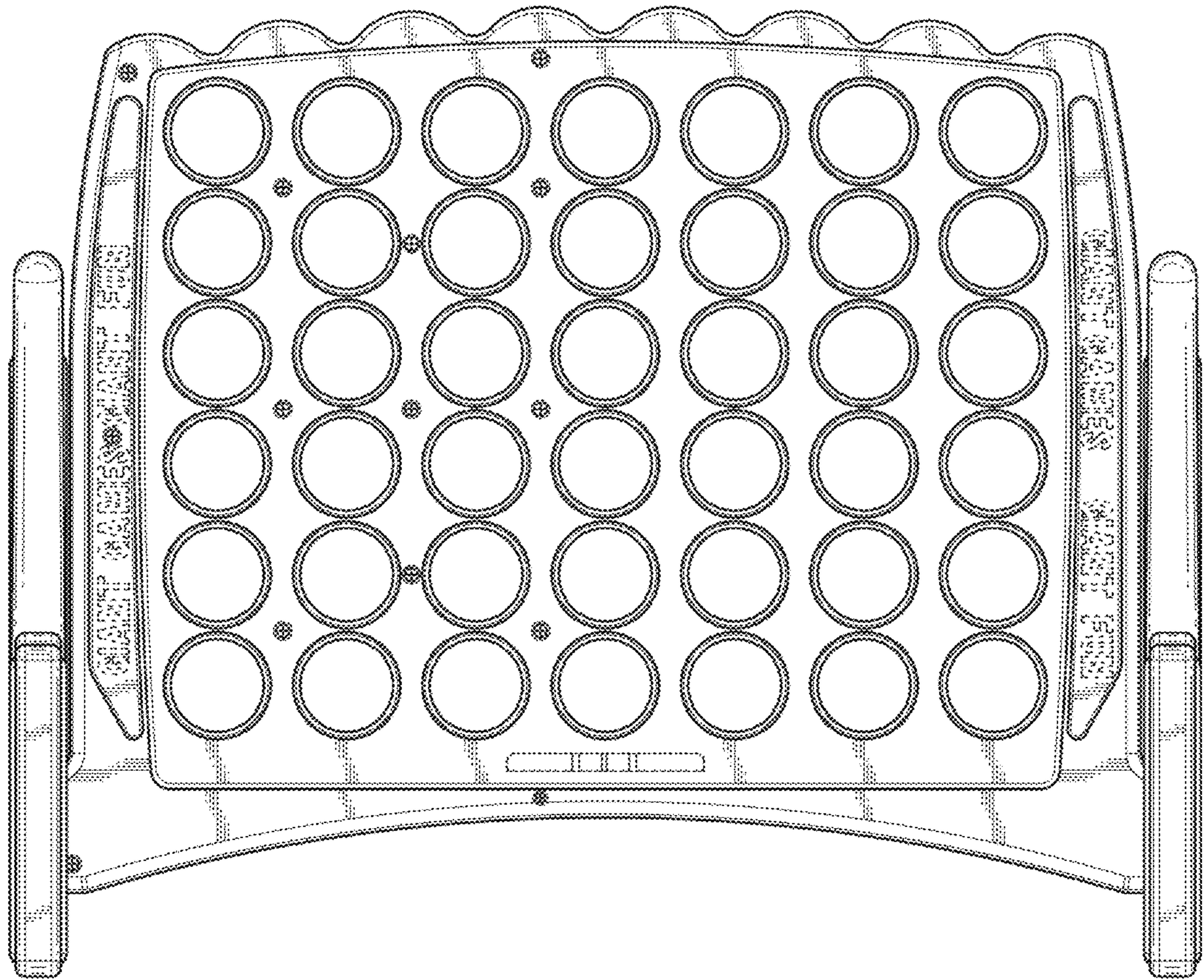


FIG. 2

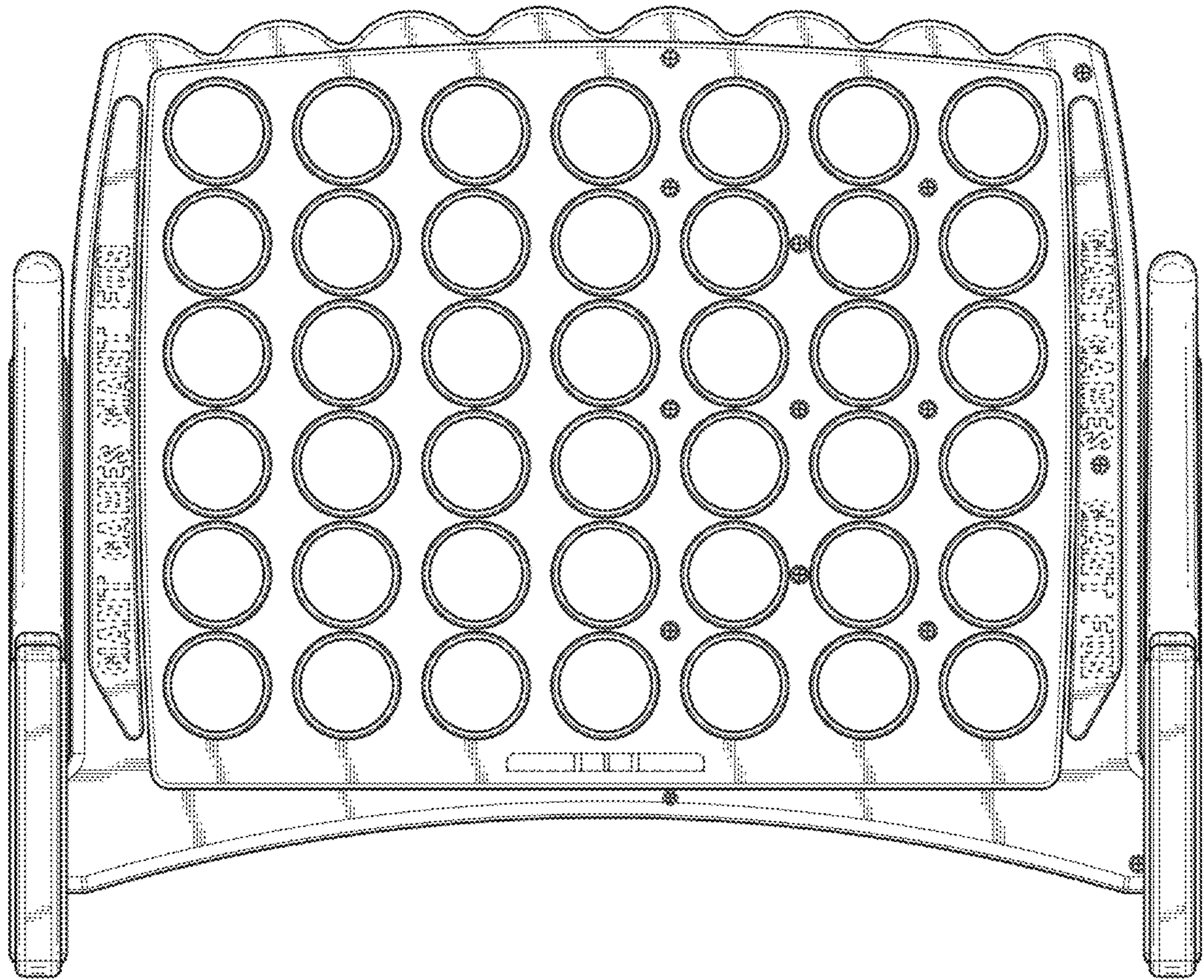


FIG. 3

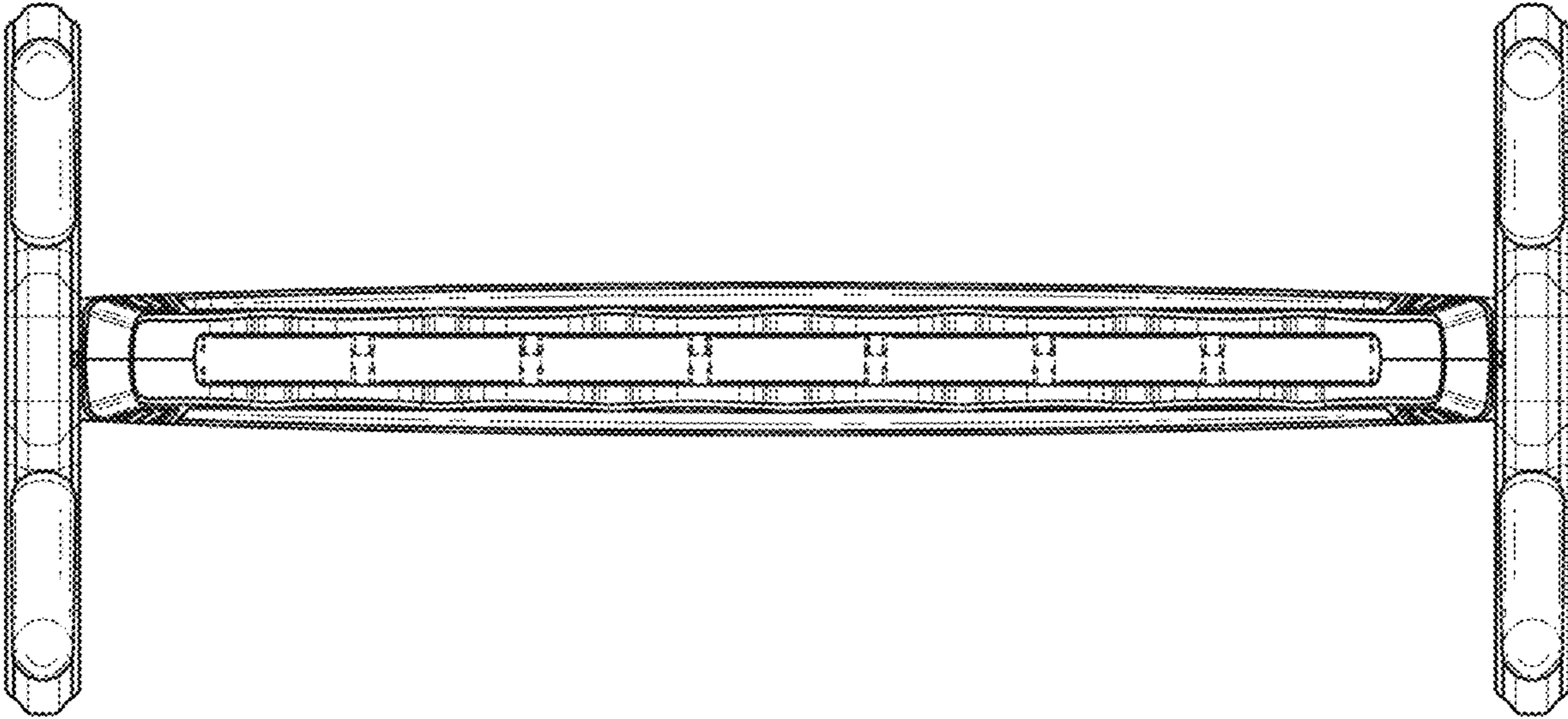


FIG. 4

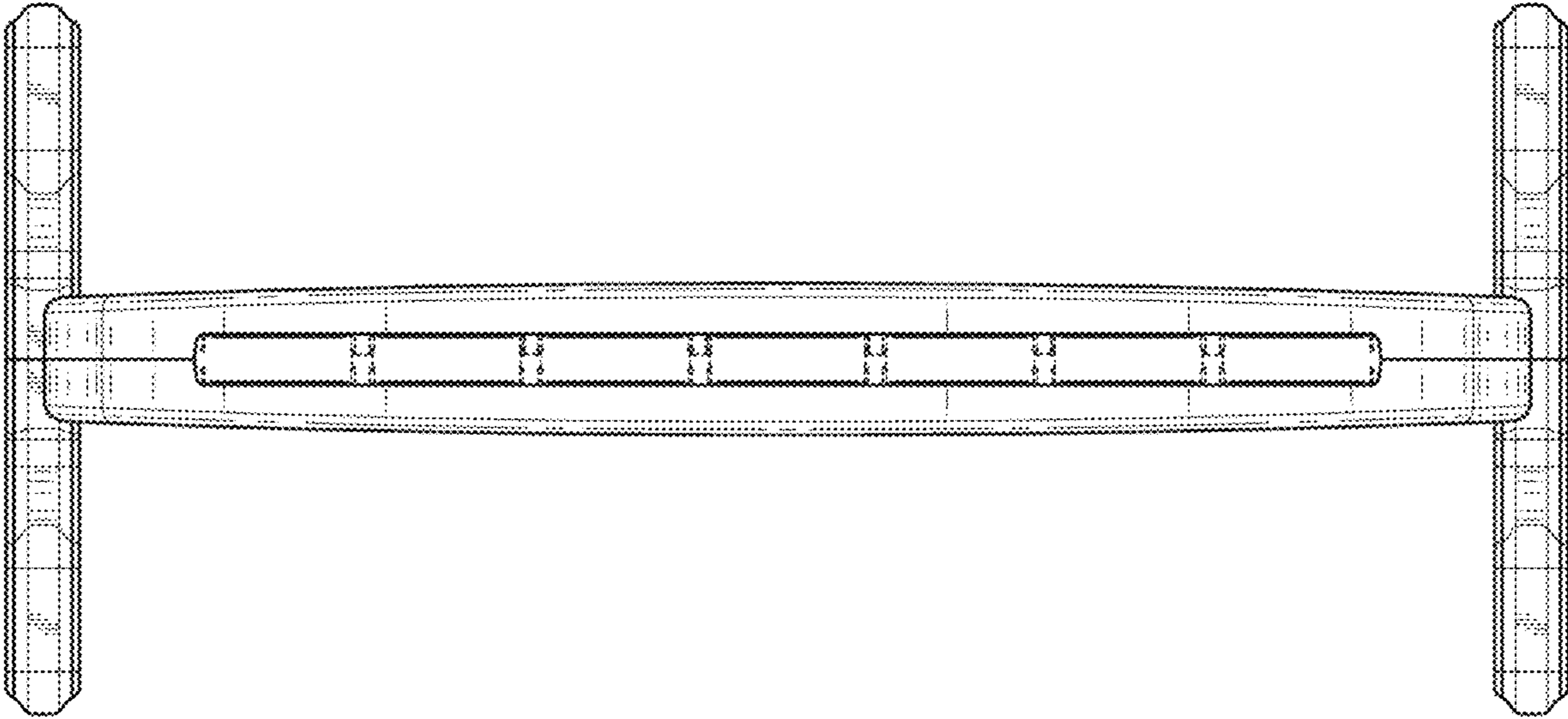


FIG. 5

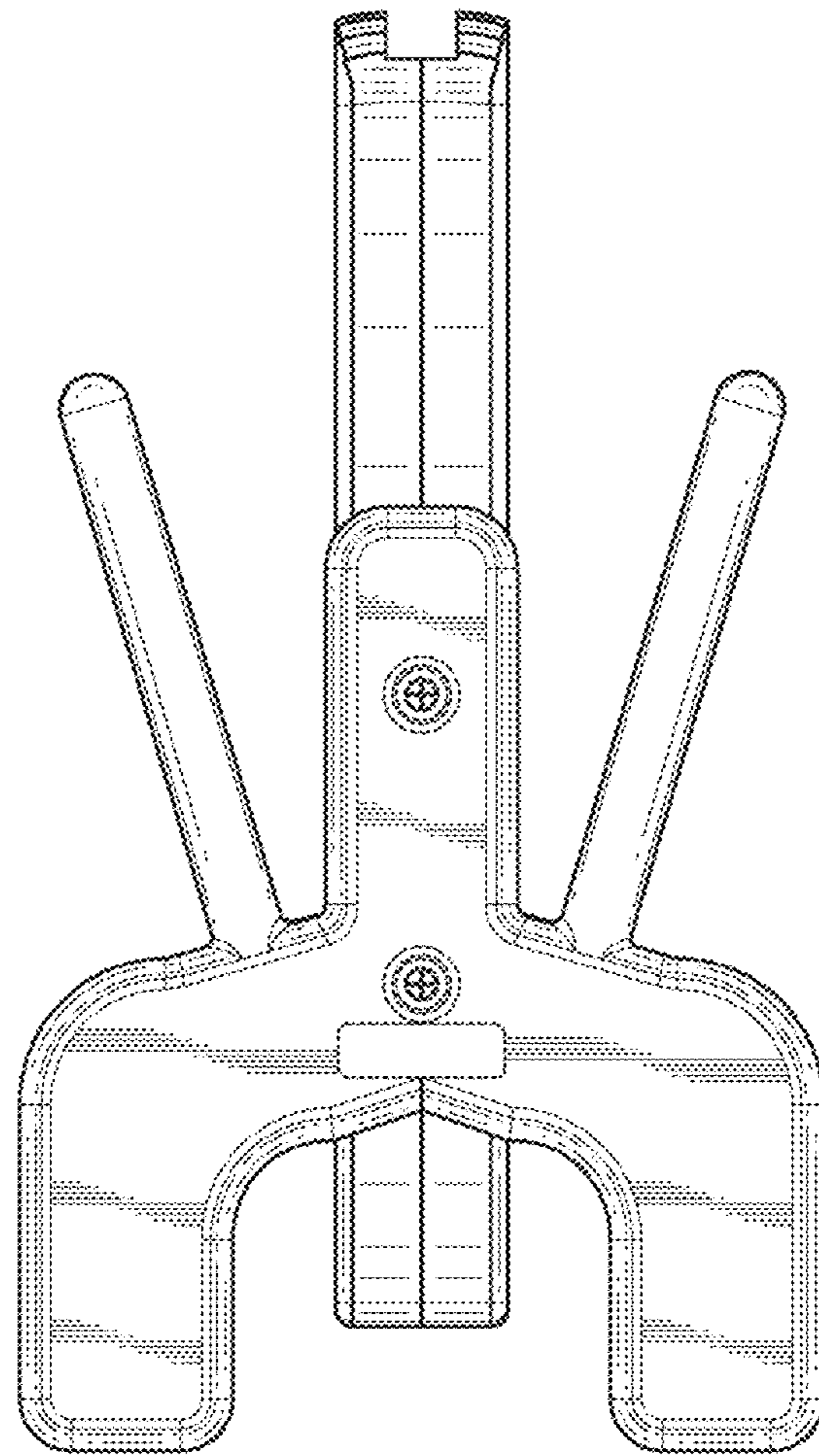


FIG. 6



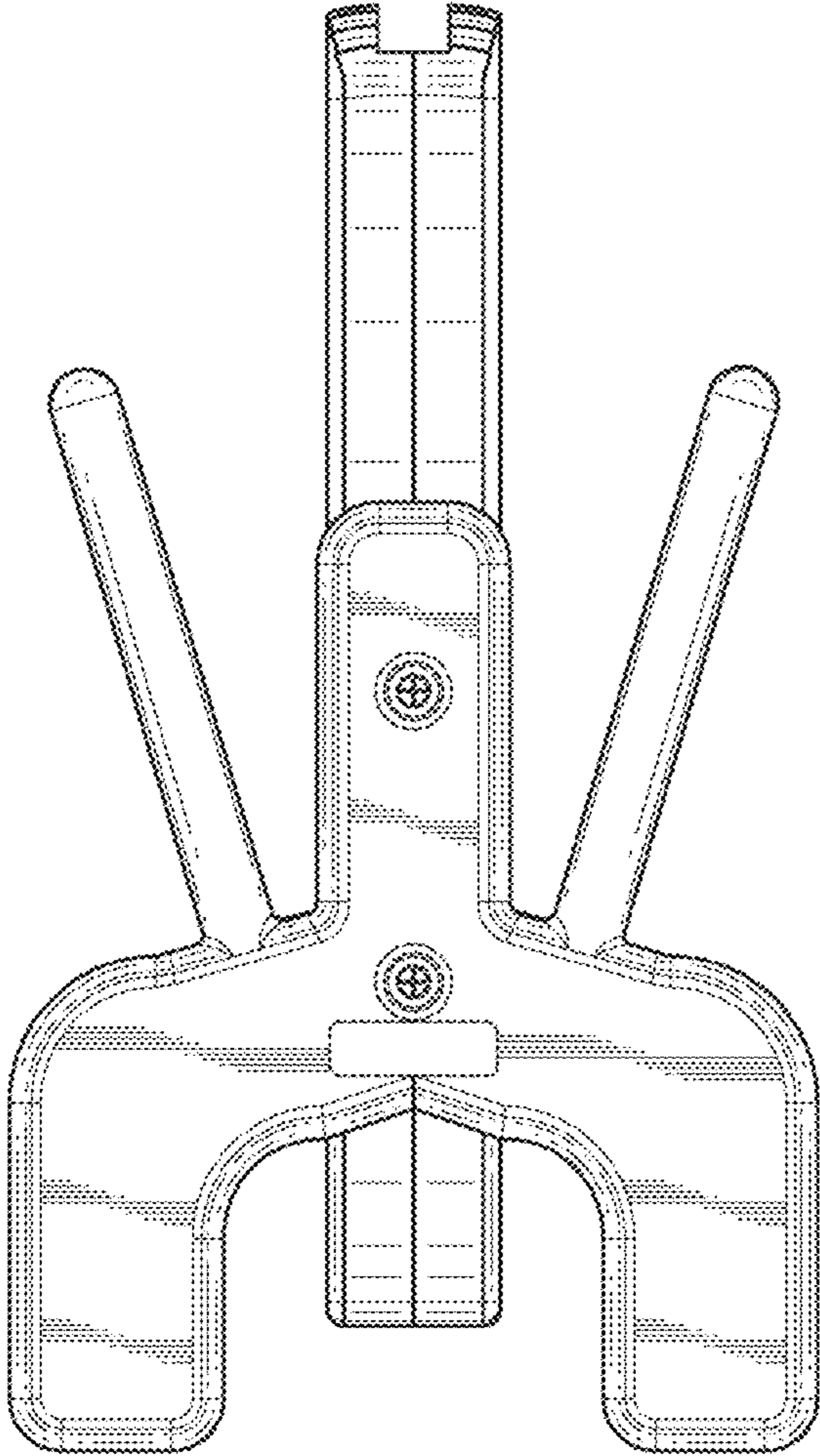


FIG. 7