



US00D986329S

(12) **United States Design Patent**
Lin

(10) **Patent No.:** **US D986,329 S**

(45) **Date of Patent:** **** May 16, 2023**

(54) **EDUCATIONAL TOY**

(71) Applicant: **SHENZHEN CHIPSCOAST TECHNOLOGY CO., LTD**, Shenzhen (CN)

(72) Inventor: **Anchao Lin**, Shenzhen (CN)

(73) Assignee: **SHENZHEN CHIPSCOAST TECHNOLOGY CO., LTD.**, Shenzhen (CN)

(**) Term: **15 Years**

(21) Appl. No.: **29/811,099**

(22) Filed: **Oct. 12, 2021**

(51) **LOC (14) Cl.** **21-01**

(52) **U.S. Cl.**
USPC **D21/324**

(58) **Field of Classification Search**
USPC D21/324, 326, 332, 334; D19/39, 60–64, D19/158, 160, 161; D14/126, 203.7, 240, D14/341, 401, 496
CPC A63F 9/02; G04G 17/005; A45C 11/00
See application file for complete search history.

(56) **References Cited**

U.S. PATENT DOCUMENTS

| | | | | |
|---------------|---------|-----------|-------|------------------------|
| D263,158 S * | 2/1982 | Craig | | D21/469 |
| 4,438,926 A * | 3/1984 | Yokoi | | G04G 17/005 968/887 |
| D279,489 S * | 7/1985 | Mak | | D21/469 |
| D350,373 S * | 9/1994 | Chow | | D21/324 |
| D368,282 S * | 3/1996 | Lin | | D21/324 |
| D371,810 S * | 7/1996 | Arad | | D21/475 |
| D376,822 S * | 12/1996 | Osterhout | | D21/329 |
| D384,698 S * | 10/1997 | Chan | | D19/60 |
| D387,383 S * | 12/1997 | Chan | | D19/60 |
| D392,321 S * | 3/1998 | Chan | | D19/60 |
| D448,810 S * | 10/2001 | Goto | | D21/324 |

| | | | | |
|--------------|---------|-----------------|-------|-----------|
| D457,569 S * | 5/2002 | Pinchuk | | D21/324 |
| D511,113 S * | 11/2005 | Feldman | | D10/104.1 |
| D516,634 S * | 3/2006 | Man-tat | | D21/332 |
| D519,956 S * | 5/2006 | Peng | | D14/129 |
| D530,715 S * | 10/2006 | Wu | | D14/371 |
| D532,822 S * | 11/2006 | White | | D19/113 |
| D545,789 S * | 7/2007 | Dayan | | D14/129 |
| D546,397 S * | 7/2007 | Sakurai | | D21/329 |
| D547,377 S * | 7/2007 | Vazquez Gastell | | D19/64 |
| D548,208 S * | 8/2007 | Liang | | D14/129 |
| D566,115 S * | 4/2008 | Swanson | | D14/240 |
| D578,131 S * | 10/2008 | Horito | | D14/450 |
| D579,440 S * | 10/2008 | Wiley | | D14/158 |
| D594,004 S * | 6/2009 | Takemasa | | D14/341 |
| D598,449 S * | 8/2009 | Landry | | D14/358 |
| D602,491 S * | 10/2009 | Jiang | | D14/346 |
| D603,388 S * | 11/2009 | Tompkin | | D14/248 |

(Continued)

Primary Examiner — Mehri F Bajoul

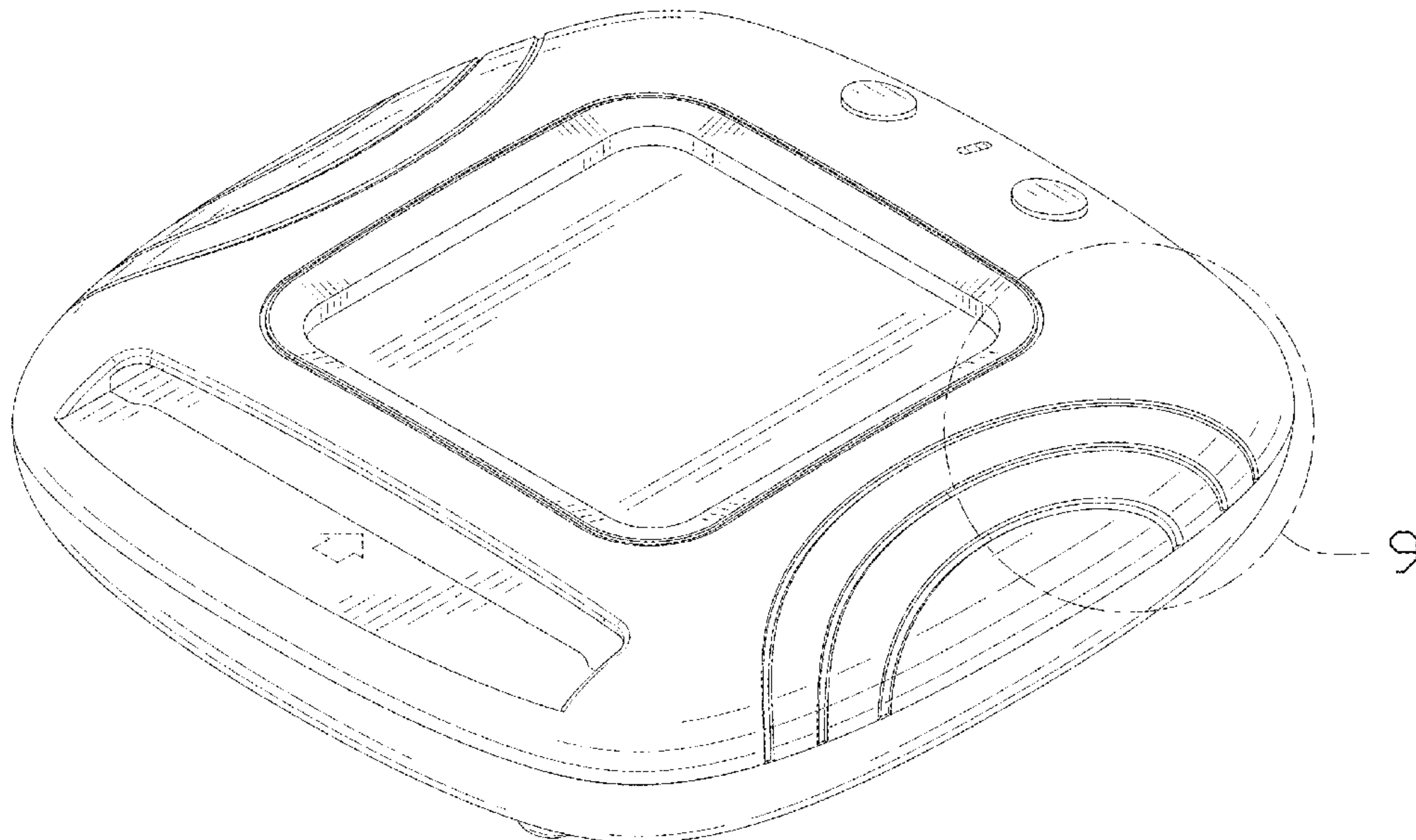
(57) **CLAIM**

The ornamental design for an educational toy, as shown and described.

DESCRIPTION

FIG. 1 is a perspective view of an educational toy showing my new design;
 FIG. 2 is another perspective view thereof;
 FIG. 3 is a front elevational view thereof;
 FIG. 4 is a rear elevational view thereof;
 FIG. 5 is a left side elevational view thereof;
 FIG. 6 is a right side elevational view thereof;
 FIG. 7 is a top plan view thereof;
 FIG. 8 is a bottom plan view thereof; and,
 FIG. 9 is an enlarged view of portion 9 shown in FIG. 1.
 The dash-dash broken lines in the drawings depict portions of the educational toy that form no part of the claimed design. The dot-dash broken lines represent the boundary of the enlarged portion and form no part of the claimed design.

1 Claim, 9 Drawing Sheets



(56)

References Cited

U.S. PATENT DOCUMENTS

| | | | | | | |
|--------------|----|---|---------|---------|-------|-----------------------|
| D606,593 | S | * | 12/2009 | Wilm | | D21/324 |
| D615,526 | S | * | 5/2010 | Andre | | D14/203.3 |
| D618,191 | S | * | 6/2010 | Chow | | D14/126 |
| D622,237 | S | * | 8/2010 | Chow | | D14/126 |
| D646,726 | S | * | 10/2011 | Avery | | D21/324 |
| D671,112 | S | * | 11/2012 | Harper | | D14/336 |
| D674,387 | S | * | 1/2013 | Avery | | D14/341 |
| D676,900 | S | * | 2/2013 | Ohno | | D18/4.4 |
| D693,314 | S | * | 11/2013 | McKeage | | D13/162 |
| D697,506 | S | * | 1/2014 | Bianco | | D14/371 |
| D698,354 | S | * | 1/2014 | Mak | | D14/341 |
| D726,559 | S | * | 4/2015 | Wingate | | D10/70 |
| D746,811 | S | * | 1/2016 | Avery | | D21/329 |
| D762,872 | S | * | 8/2016 | Chen | | D24/215 |
| D782,472 | S | * | 3/2017 | Tanaka | | D14/341 |
| D789,338 | S | * | 6/2017 | Moon | | D14/240 |
| D812,622 | S | * | 3/2018 | Moon | | D14/440 |
| D844,630 | S | * | 4/2019 | Sawai | | D14/479 |
| D884,701 | S | * | 5/2020 | Huang | | D14/420 |
| D884,702 | S | * | 5/2020 | Huang | | D14/420 |
| D900,100 | S | * | 10/2020 | Koo | | D14/374 |
| D924,228 | S | * | 7/2021 | Mirth | | D14/341 |
| D930,744 | S | * | 9/2021 | Yu | | D19/113 |
| D954,042 | S | * | 6/2022 | Solomon | | D21/324 |
| D967,899 | S | * | 10/2022 | Dai | | D21/329 |
| 2012/0043235 | A1 | * | 2/2012 | Klement | | A45C 11/00 206/320 |

* cited by examiner

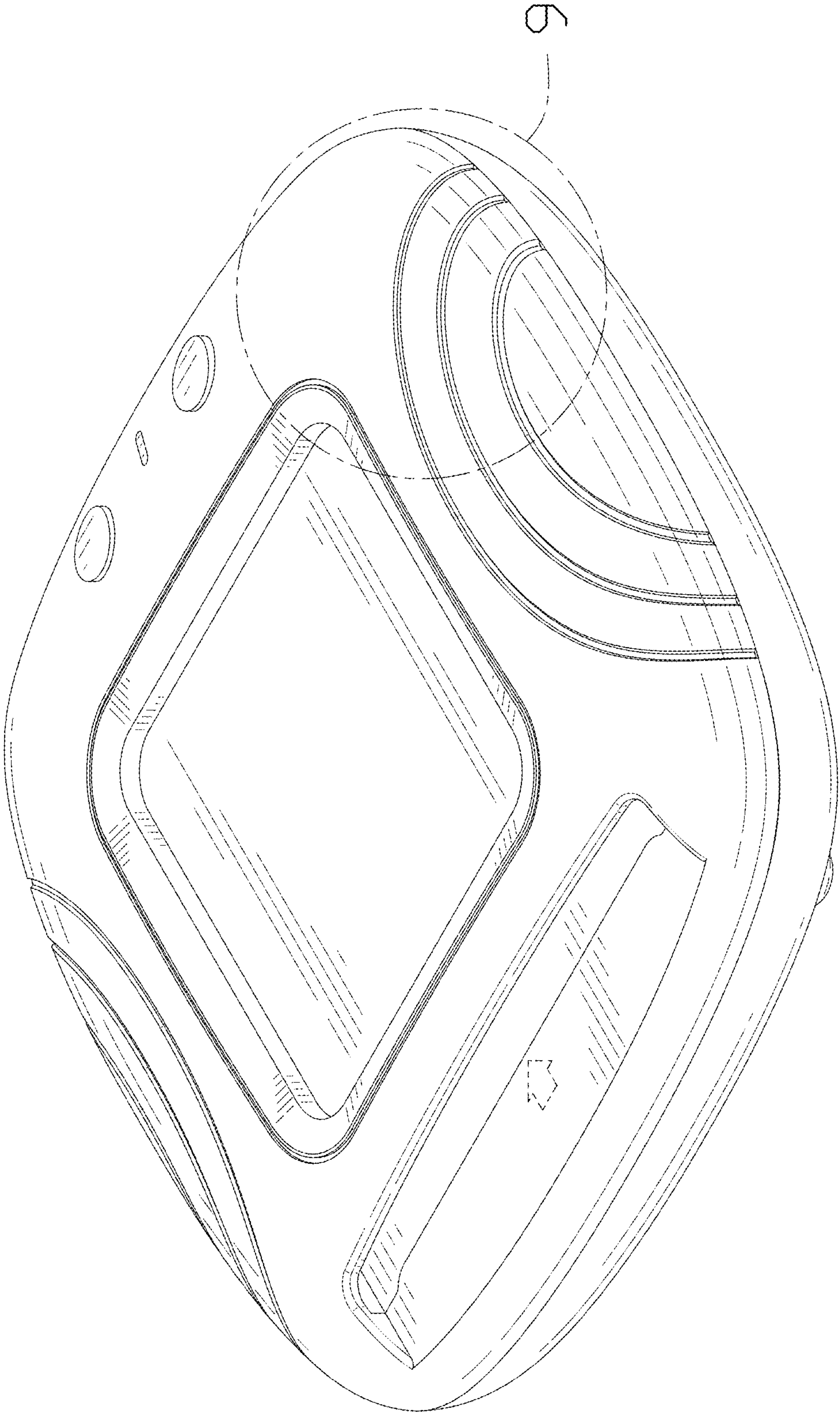


FIG. 1

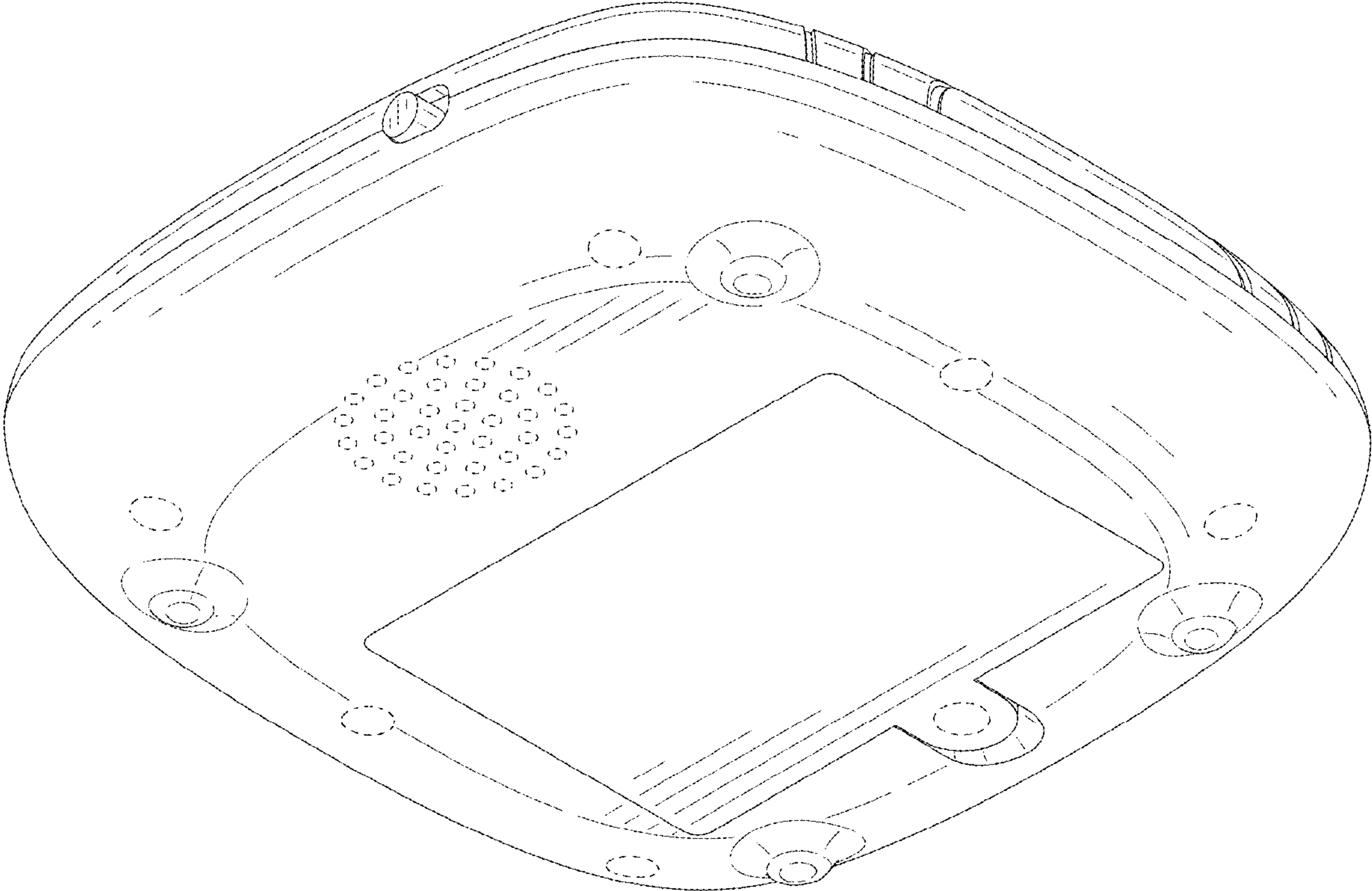


FIG. 2

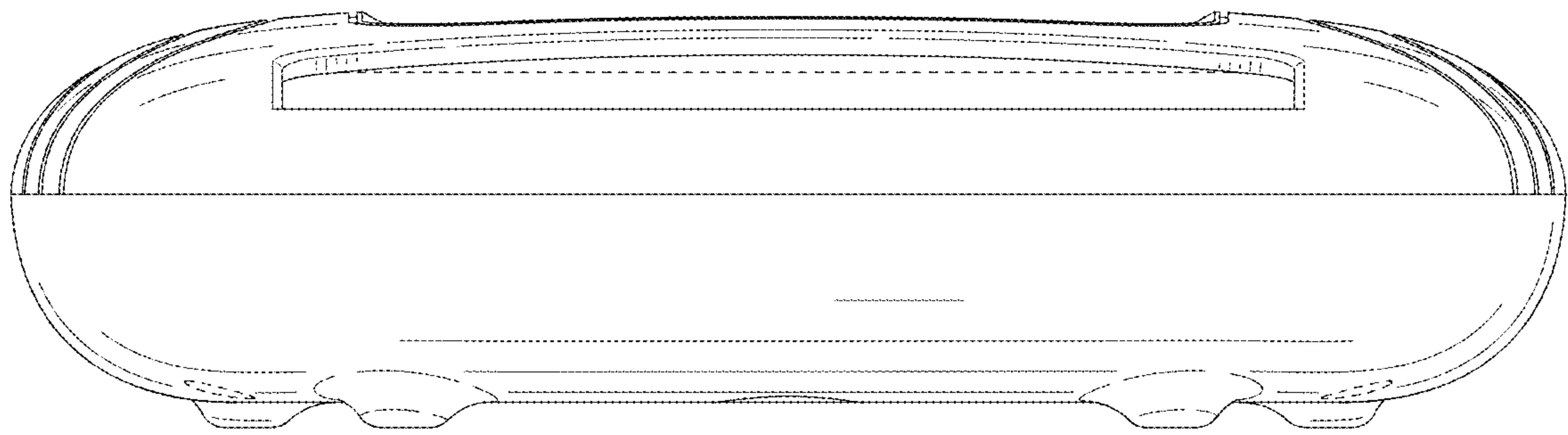


FIG. 3

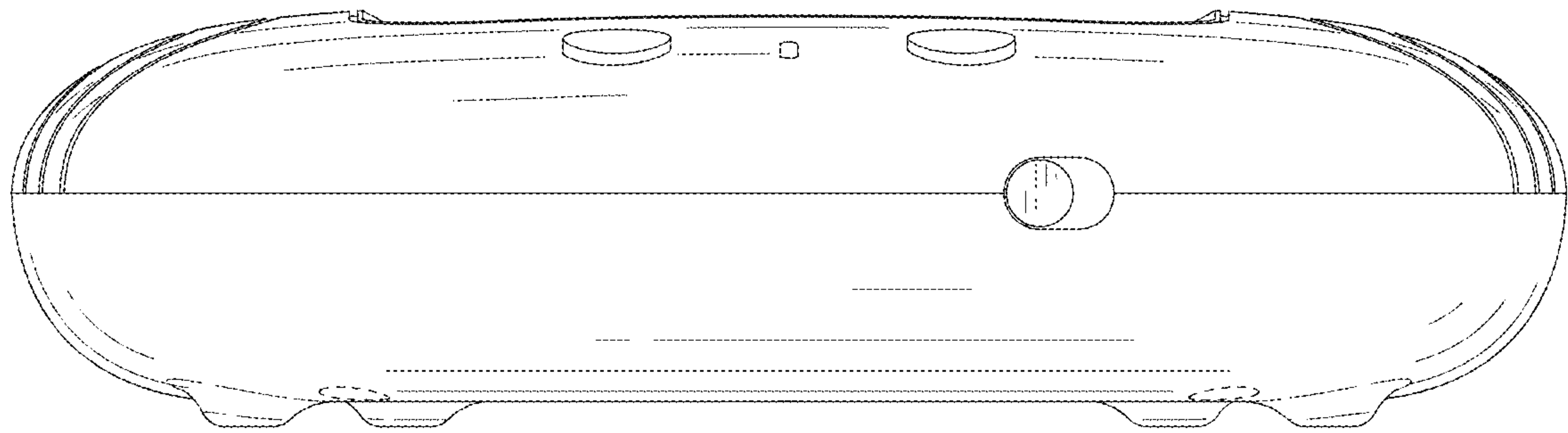


FIG. 4

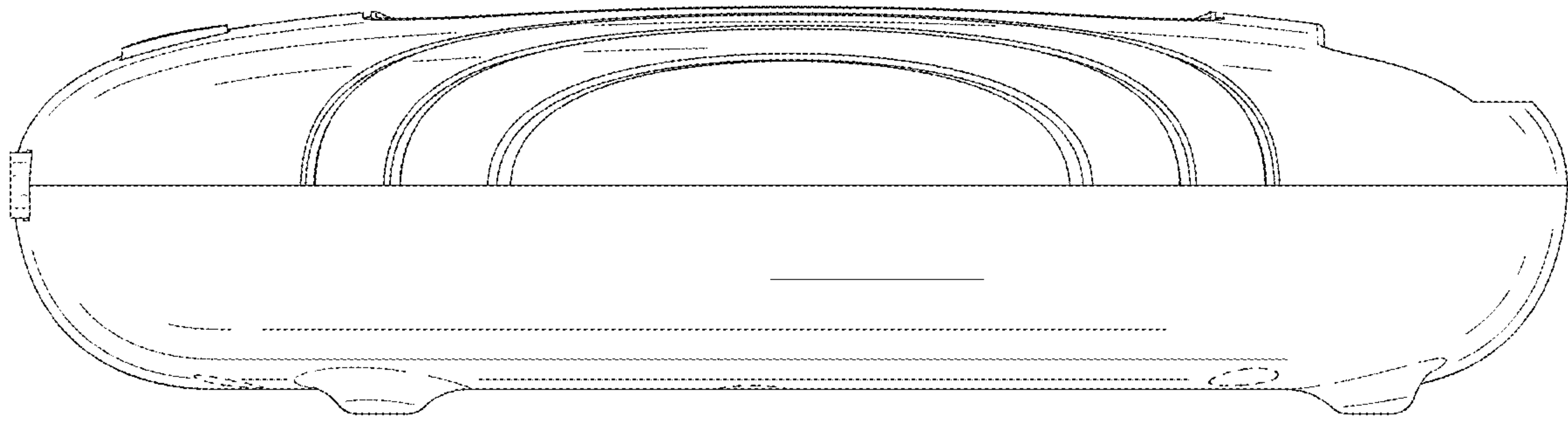


FIG. 5

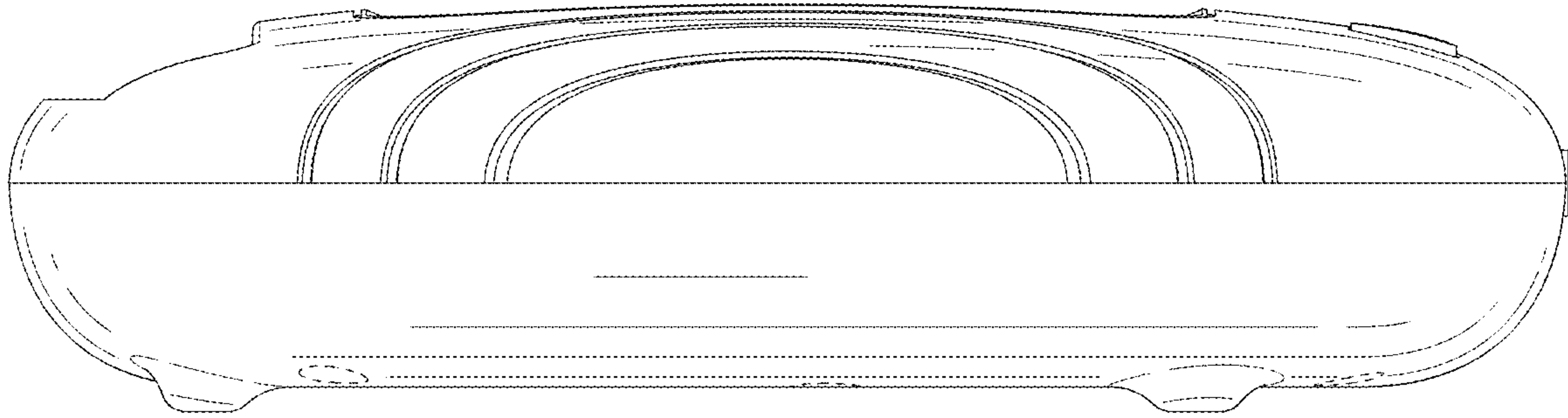


FIG. 6

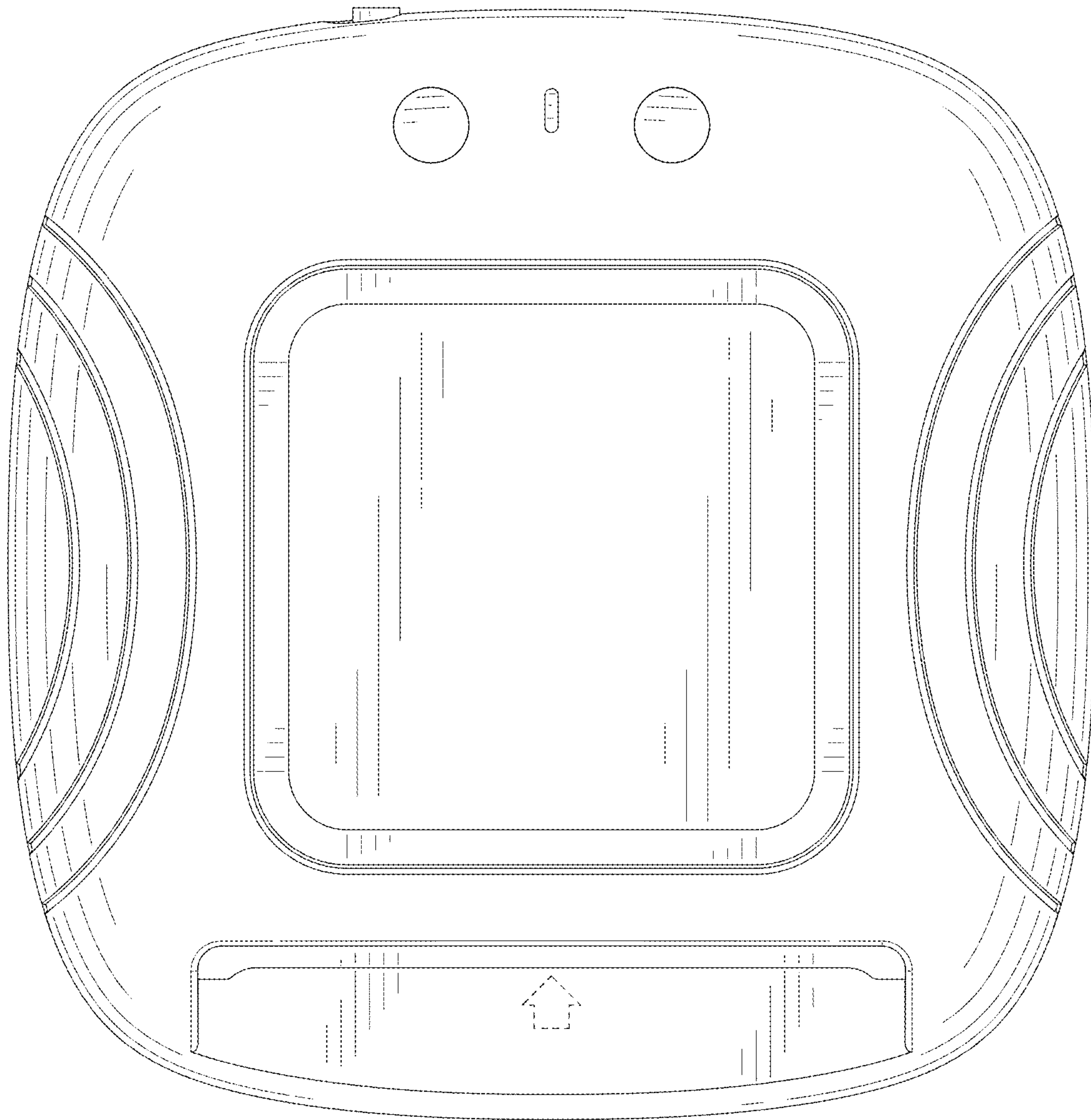


FIG. 7

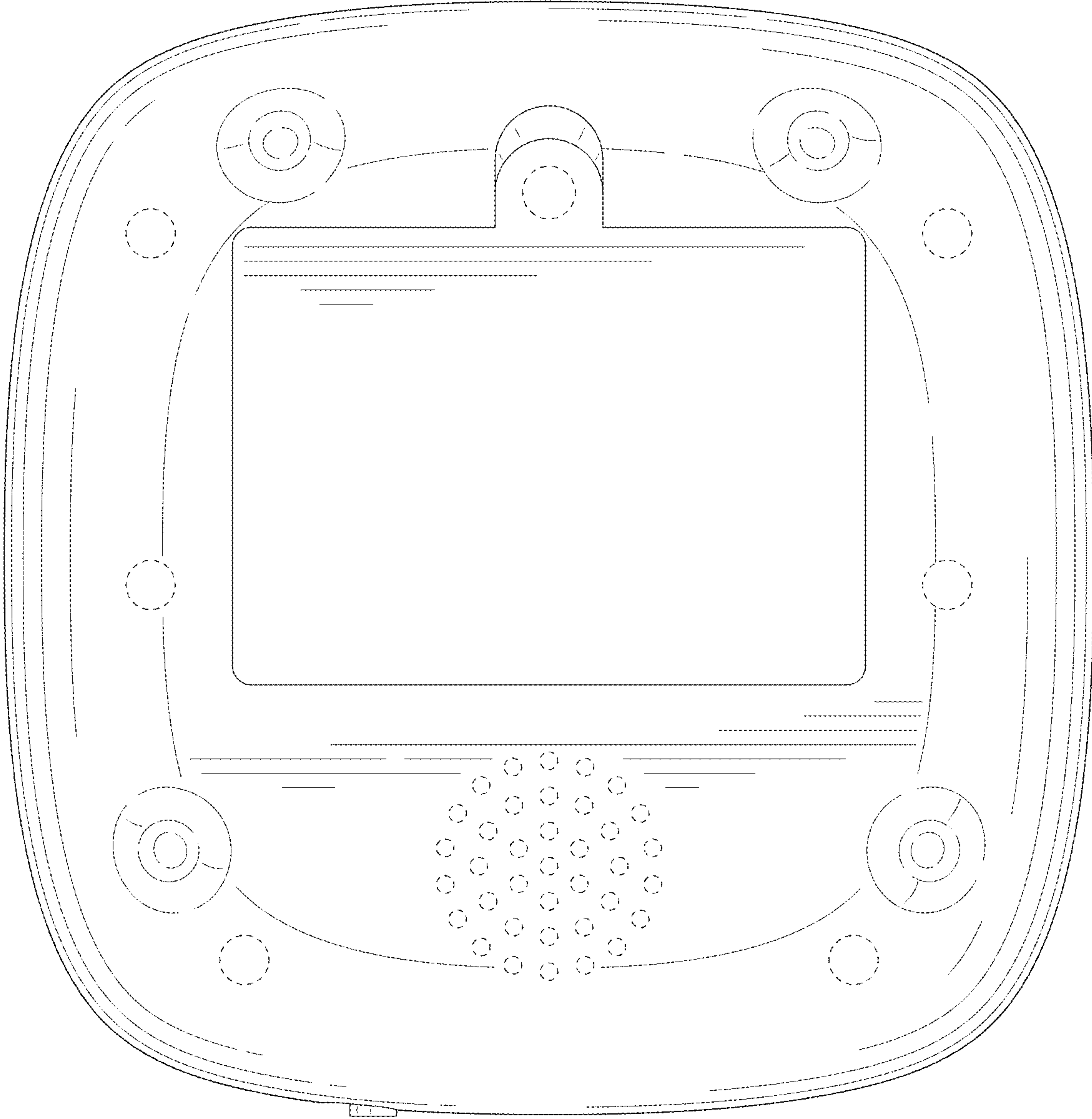


FIG. 8

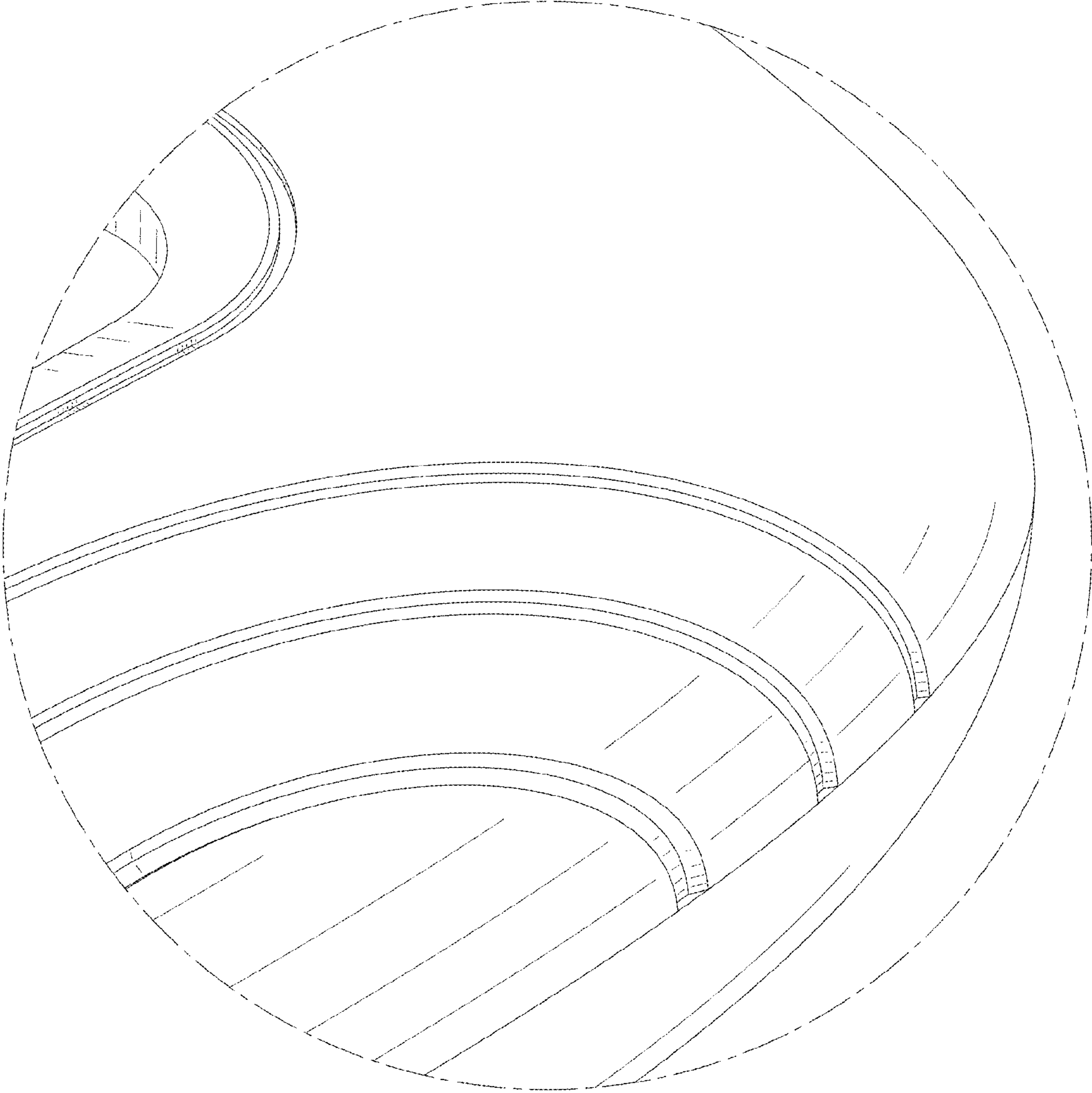


FIG. 9