



US00D986328S

(12) **United States Design Patent** (10) **Patent No.:** **US D986,328 S**
Shi (45) **Date of Patent:** **** *May 16, 2023**

(54) **BEANBAG BOARD**
(71) Applicant: **Dongsheng Shi**, Shenzhen (CN)
(72) Inventor: **Dongsheng Shi**, Shenzhen (CN)
(*) Notice: This patent is subject to a terminal disclaimer.
(**) Term: **15 Years**
(21) Appl. No.: **29/748,930**
(22) Filed: **Sep. 1, 2020**
(51) **LOC (14) Cl.** **21-01**
(52) **U.S. Cl.**
USPC **D21/305**
(58) **Field of Classification Search**
USPC D21/300, 301, 302, 303, 304, 305, 309,
D21/310, 312, 313, 314, 315, 699, 701,
D21/702, 703, 704, 705, 706, 707, 708,
D21/759, 781, 789
CPC A63B 47/001; A63B 69/0086; A63B
2208/0204; A63B 67/10; A63B 67/083;
A63B 67/22
See application file for complete search history.

(56) **References Cited**
U.S. PATENT DOCUMENTS
D239,949 S * 5/1976 Trombetta, Jr. D21/303
4,723,780 A * 2/1988 Vinzetta A63B 63/00
473/197
4,883,272 A * 11/1989 Lay A63B 63/00
473/436
5,332,230 A * 7/1994 Benedict A63B 67/06
273/DIG. 30
5,582,197 A * 12/1996 Dobberstein E04H 15/12
135/92
D449,084 S * 10/2001 Walters D21/705
6,357,510 B1 * 3/2002 Zheng G09F 15/0025
160/354
D462,733 S * 9/2002 Smith, IV D21/780

D623,246 S * 9/2010 Nozato D21/705
D649,209 S * 11/2011 Silvi D21/705
D709,970 S * 7/2014 Holland D21/705
(Continued)

OTHER PUBLICATIONS

“Toyz Pop n Toss Bean Bag Toss Game”, posted Nov. 5, 2021[Online],
[retrieved Jan. 31, 2022]. Retrieved from Internet, <https://amzn.to/3uv7Esj>.
(Continued)

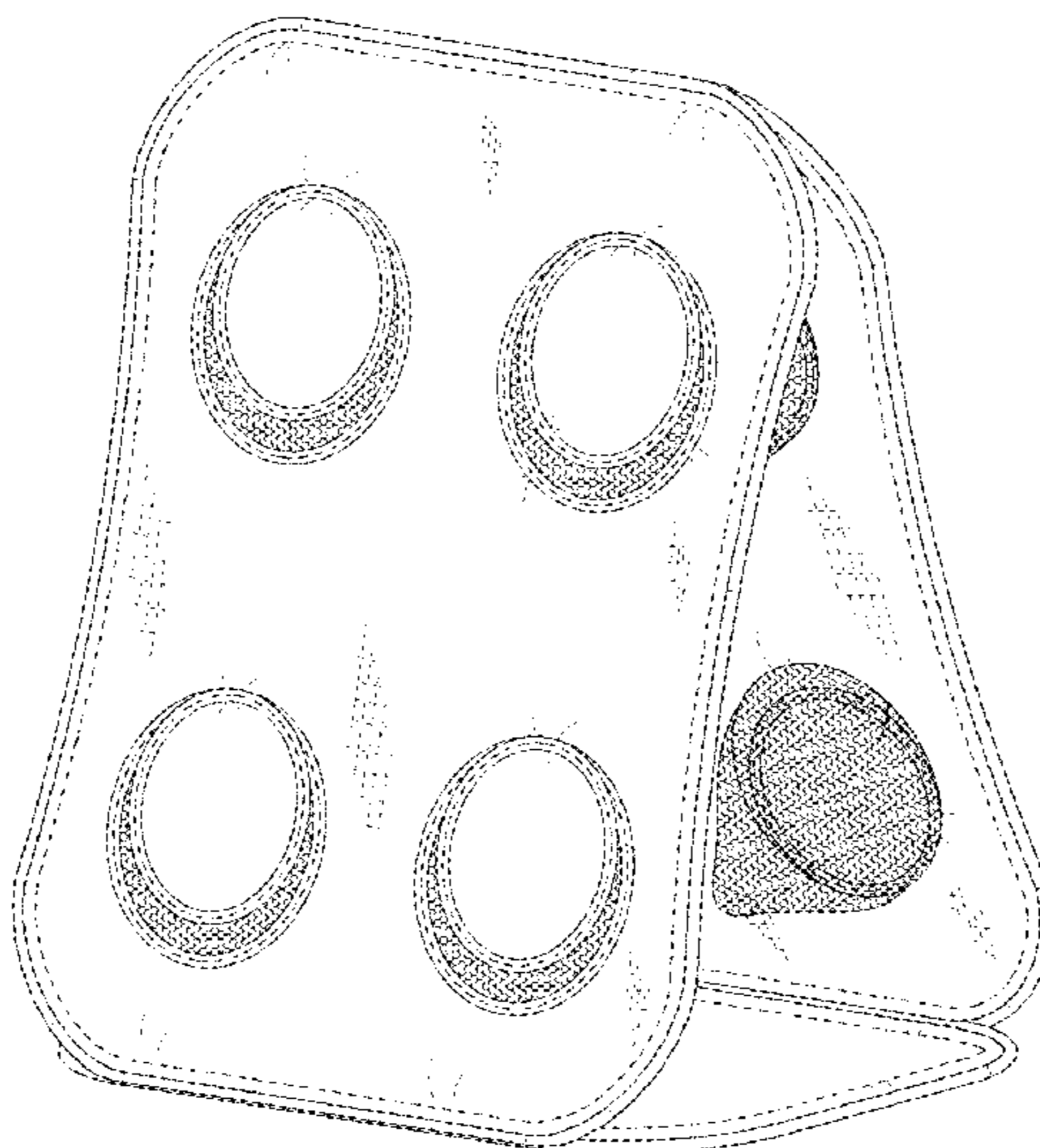
Primary Examiner — Mehri F Bajoul
(74) *Attorney, Agent, or Firm* — Raymond Y. Chan;
David and Raymond Patent Firm

(57) **CLAIM**
The ornamental design for a beanbag board, as shown and described.

DESCRIPTION

FIG. 1 is a front perspective view of the beanbag board in a folded set up position showing my new design;
FIG. 2 is a rear perspective view thereof;
FIG. 3 is a front view thereof;
FIG. 4 is a rear view thereof;
FIG. 5 is a left view thereof;
FIG. 6 is a right view thereof;
FIG. 7 is a top view thereof;
FIG. 8 is a bottom view thereof;
FIG. 9 is a front perspective view of the beanbag board in an unfolded open position; and,
FIG. 10 is a rear perspective view of the beanbag board in the unfolded open position illustrating rear sides of the net pouches of the beanbag board.
The crisscross pattern of lines shown in the drawings represent material that is understood to be distributed uniformly over the associated surface of the beanbag board. The broken lines in the drawings depict portions of the beanbag board that forms no part of the claimed design.

1 Claim, 10 Drawing Sheets



(56)

References Cited

U.S. PATENT DOCUMENTS

D809,076 S * 1/2018 Yu D21/705
D877,256 S * 3/2020 Engler D21/303
D880,596 S * 4/2020 Engler D21/305
D892,528 S * 8/2020 Gutman D21/838
D900,933 S * 11/2020 Tanoury D21/305
D933,132 S * 10/2021 Engler D21/305
D935,538 S * 11/2021 Li D21/705
2009/0197707 A1 * 8/2009 Cho A63B 63/004
473/422
2010/0081513 A1 * 4/2010 La Pointe A63B 69/3623
473/197
2011/0224026 A1 * 9/2011 Canedy, Jr. A63B 63/00
473/434
2012/0088593 A1 * 4/2012 Cho A63B 71/022
473/197
2012/0088594 A1 * 4/2012 Cho A63B 69/3623
473/434
2012/0149503 A1 * 6/2012 Cho A63B 63/00
473/454

OTHER PUBLICATIONS

“Bean Bag Toss Game Kids Outdoor Toys”, posted Apr. 16, 2021[Online], [retrieved Jan. 31, 2022]. <https://amzn.to/3uby2al>.*

* cited by examiner

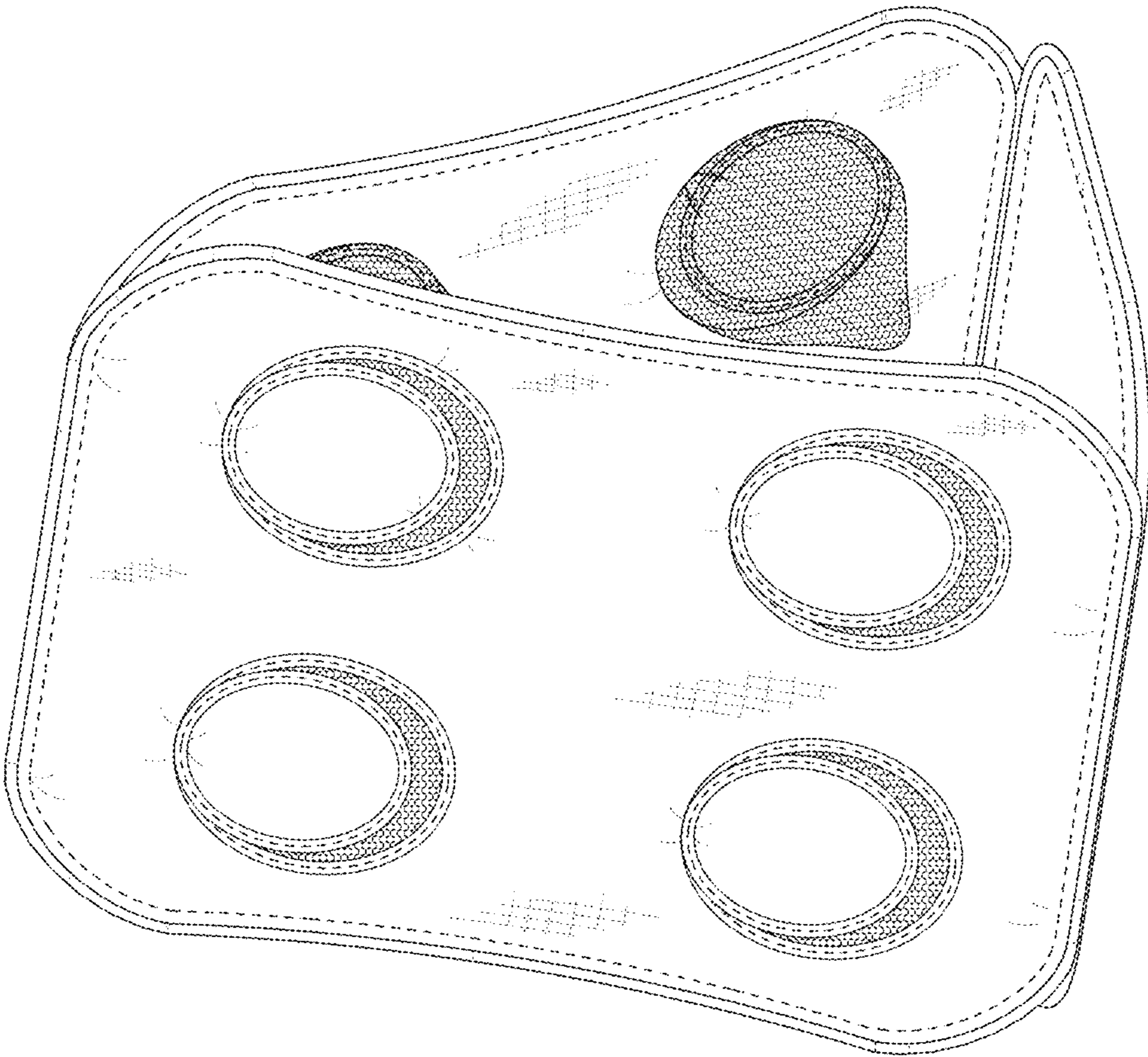


FIG. 1

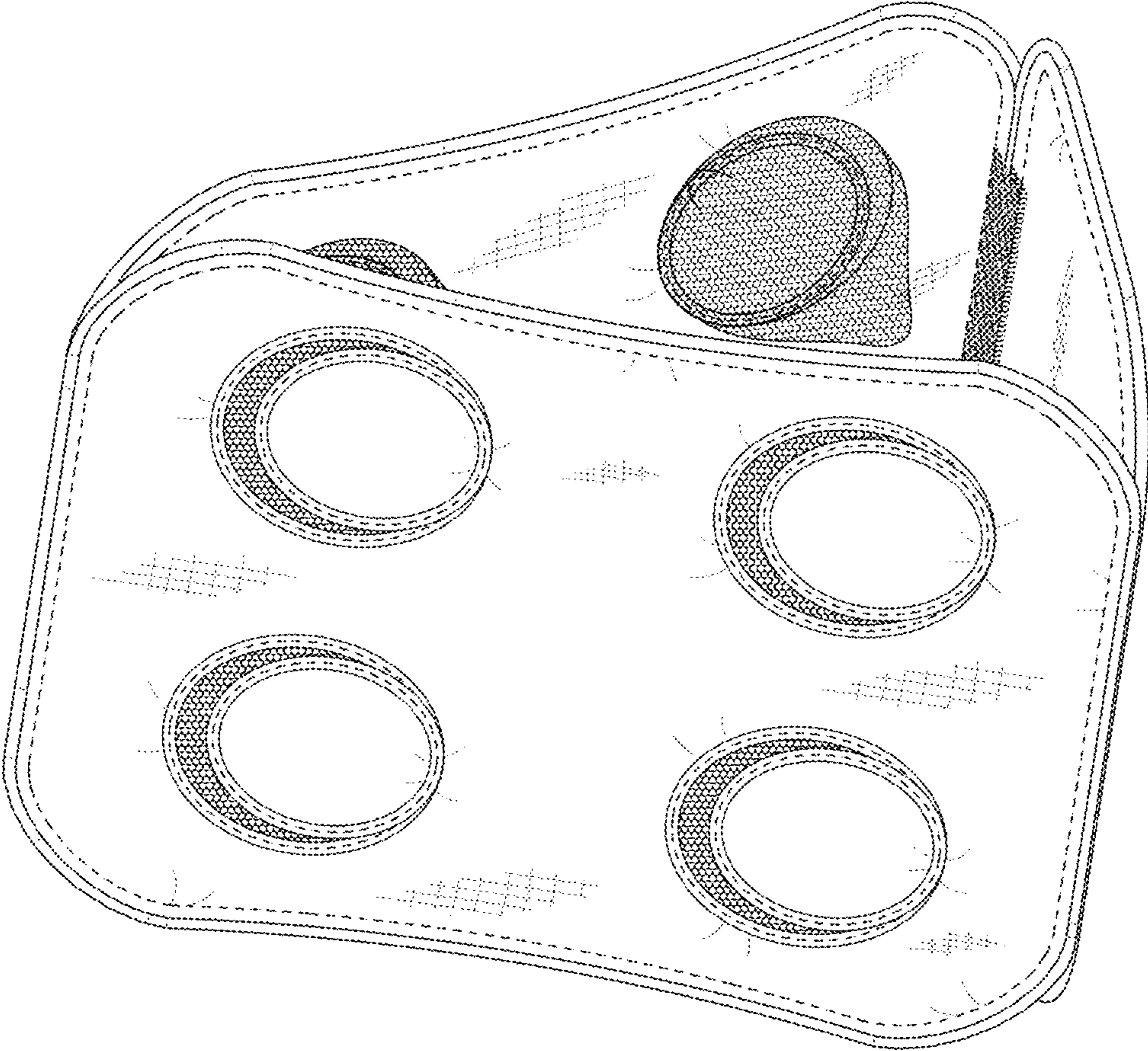


FIG. 2

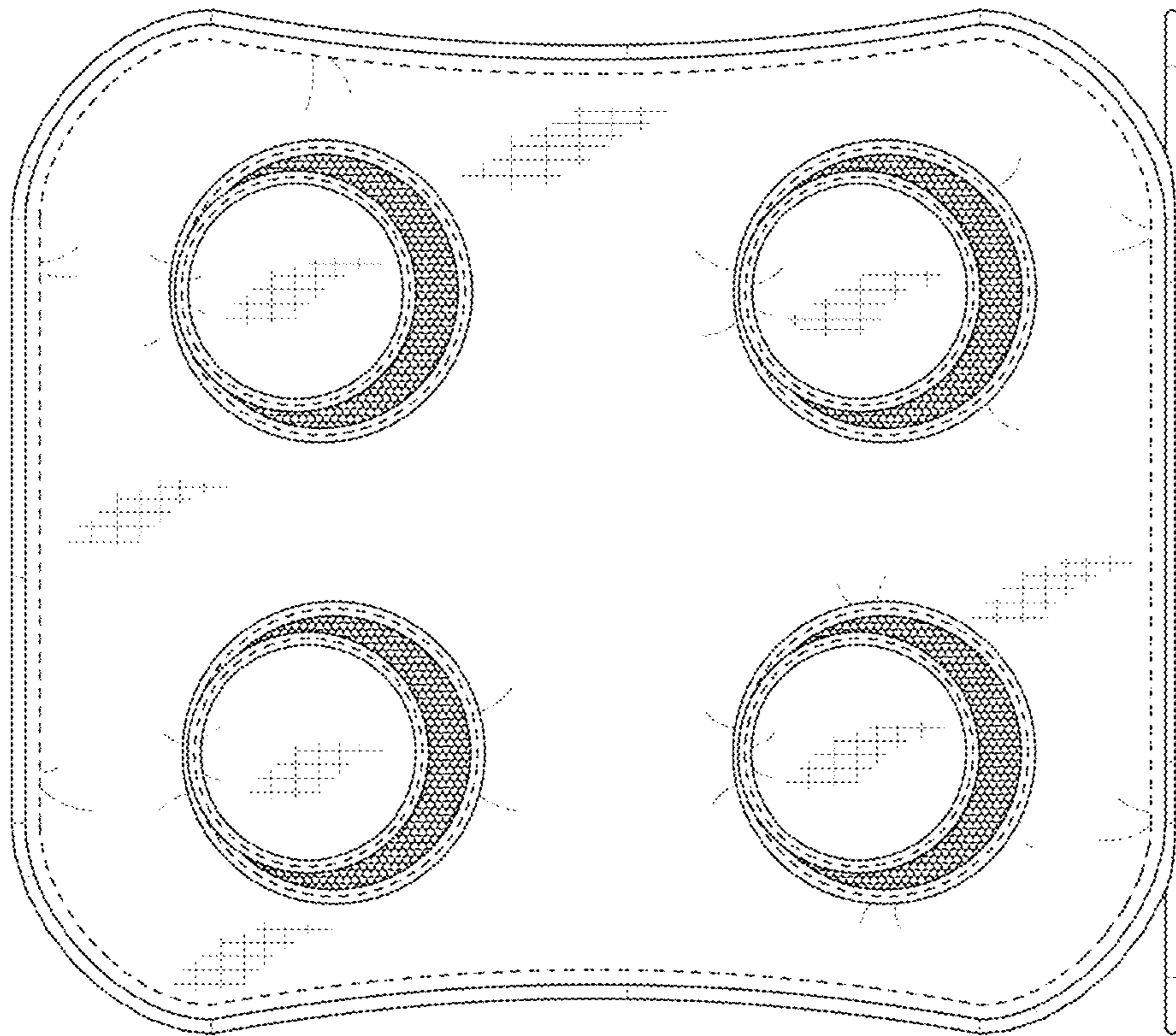


FIG. 3

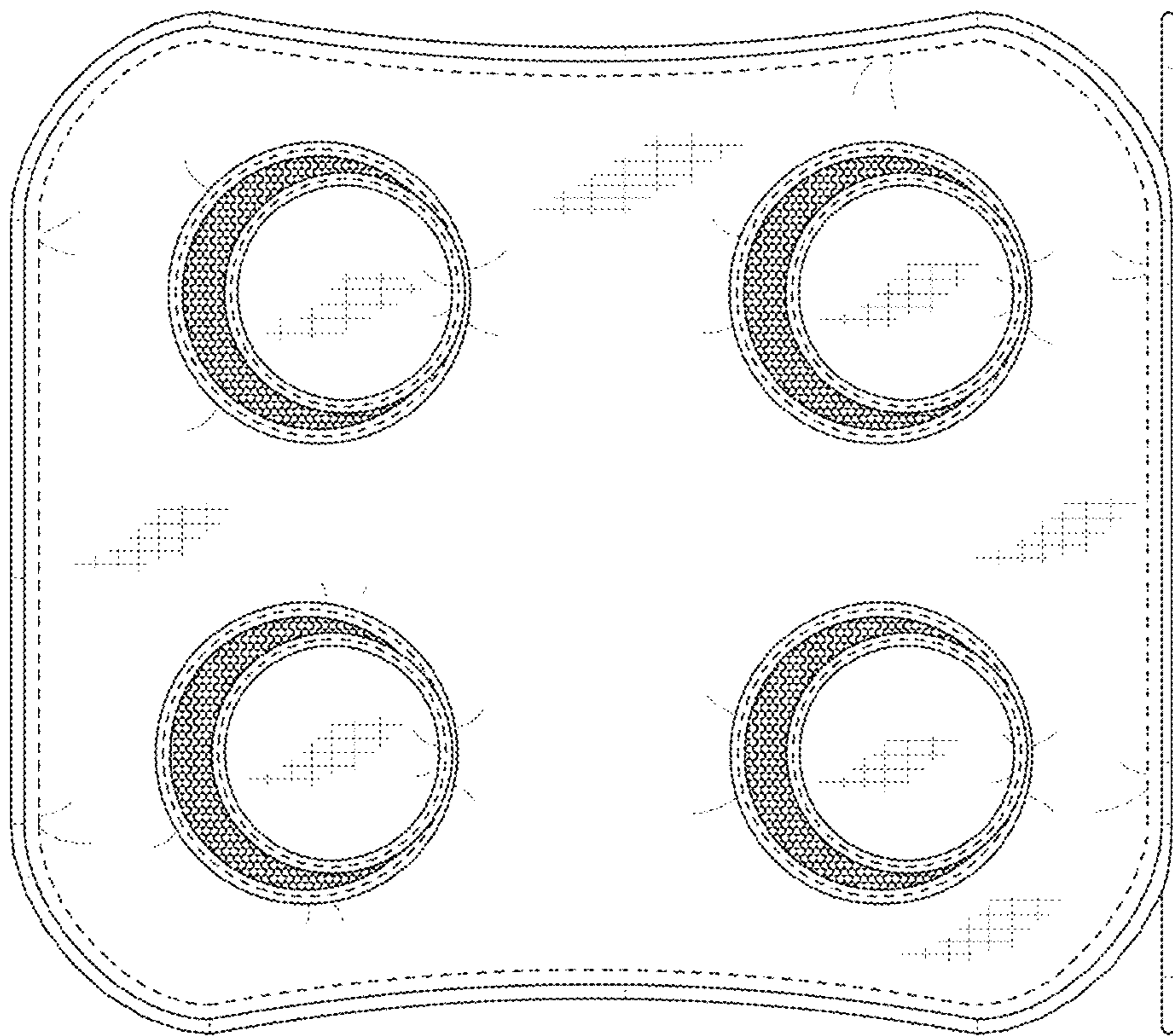


FIG. 4

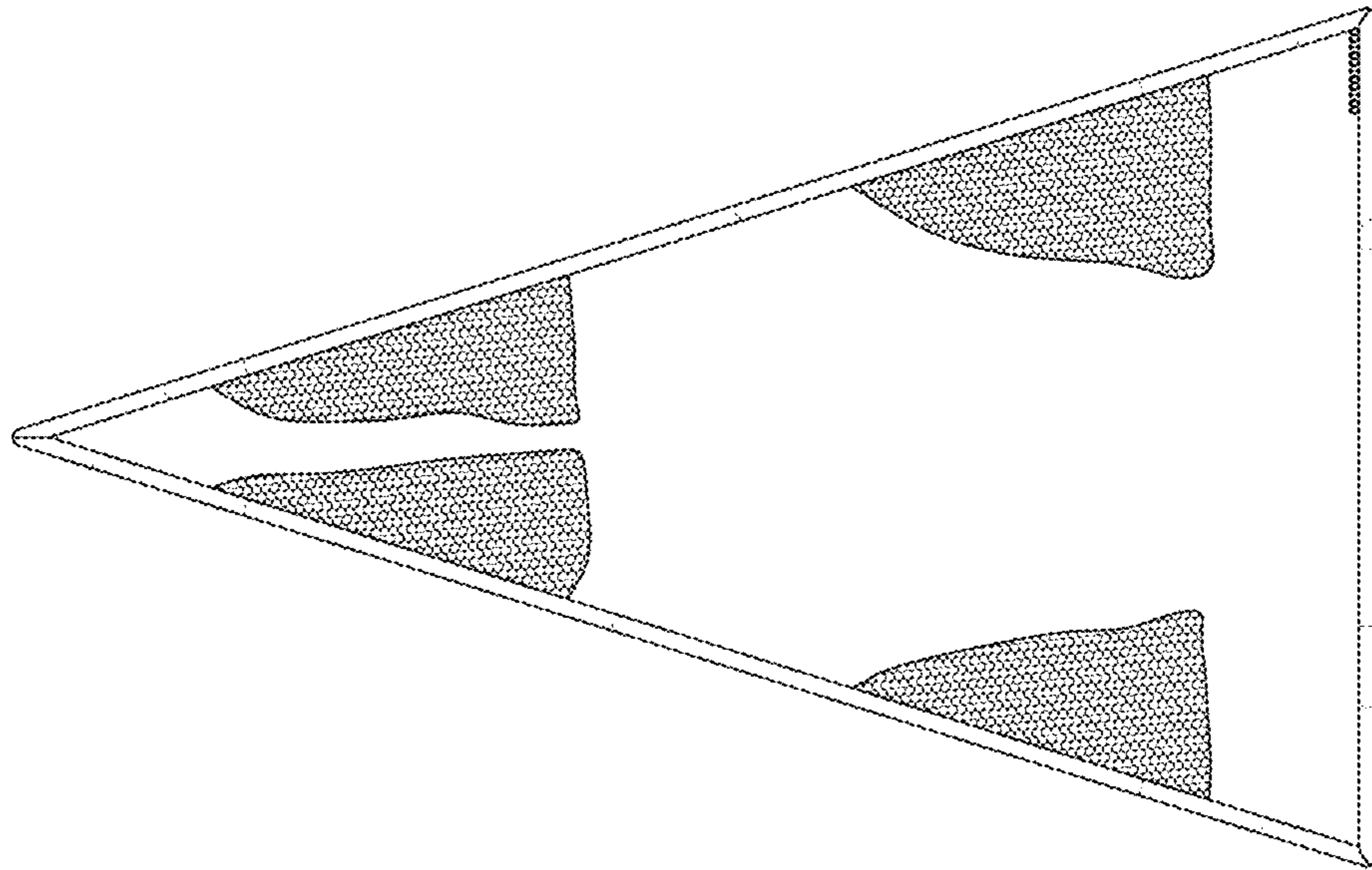


FIG. 5

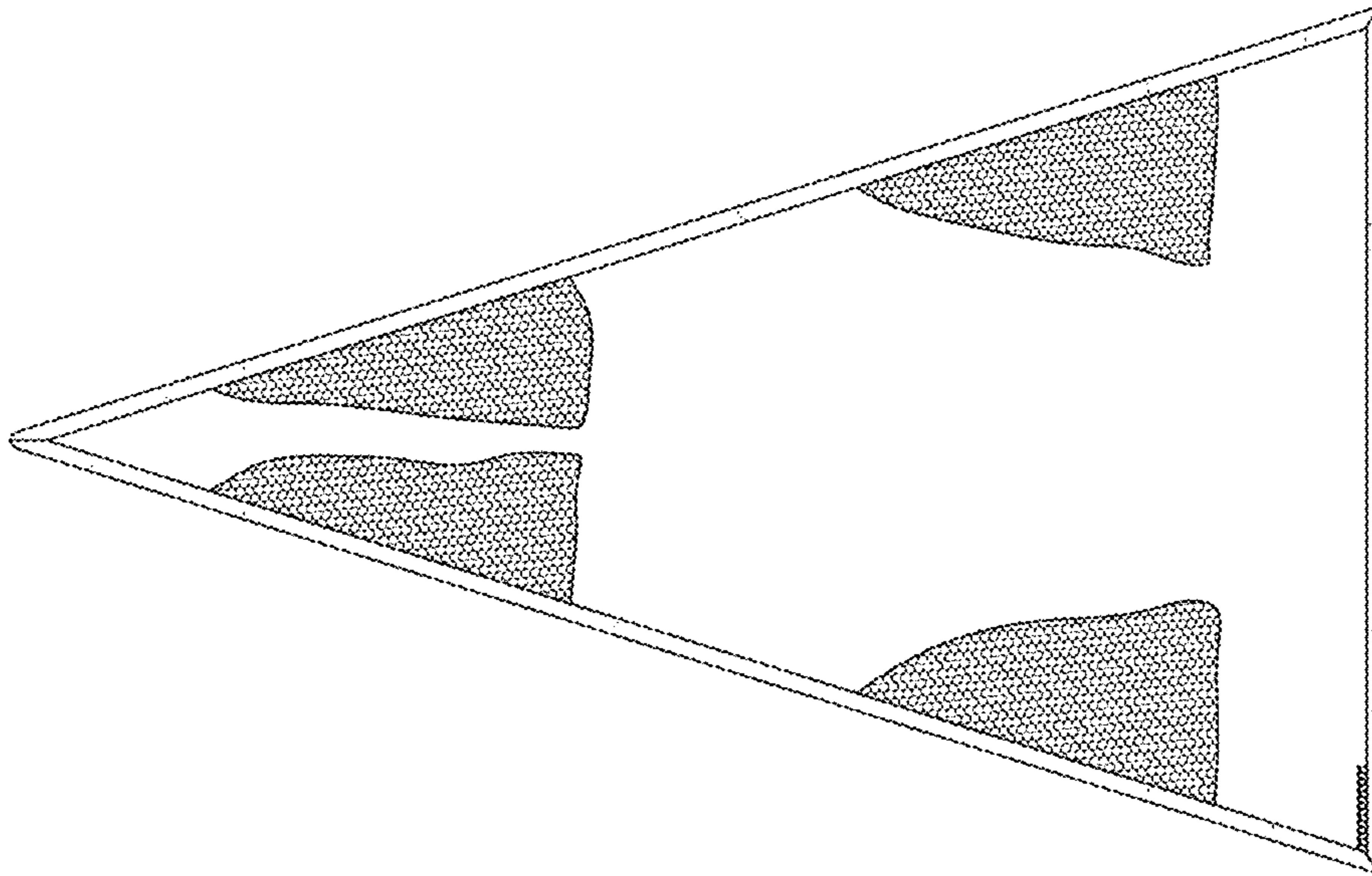


FIG. 6

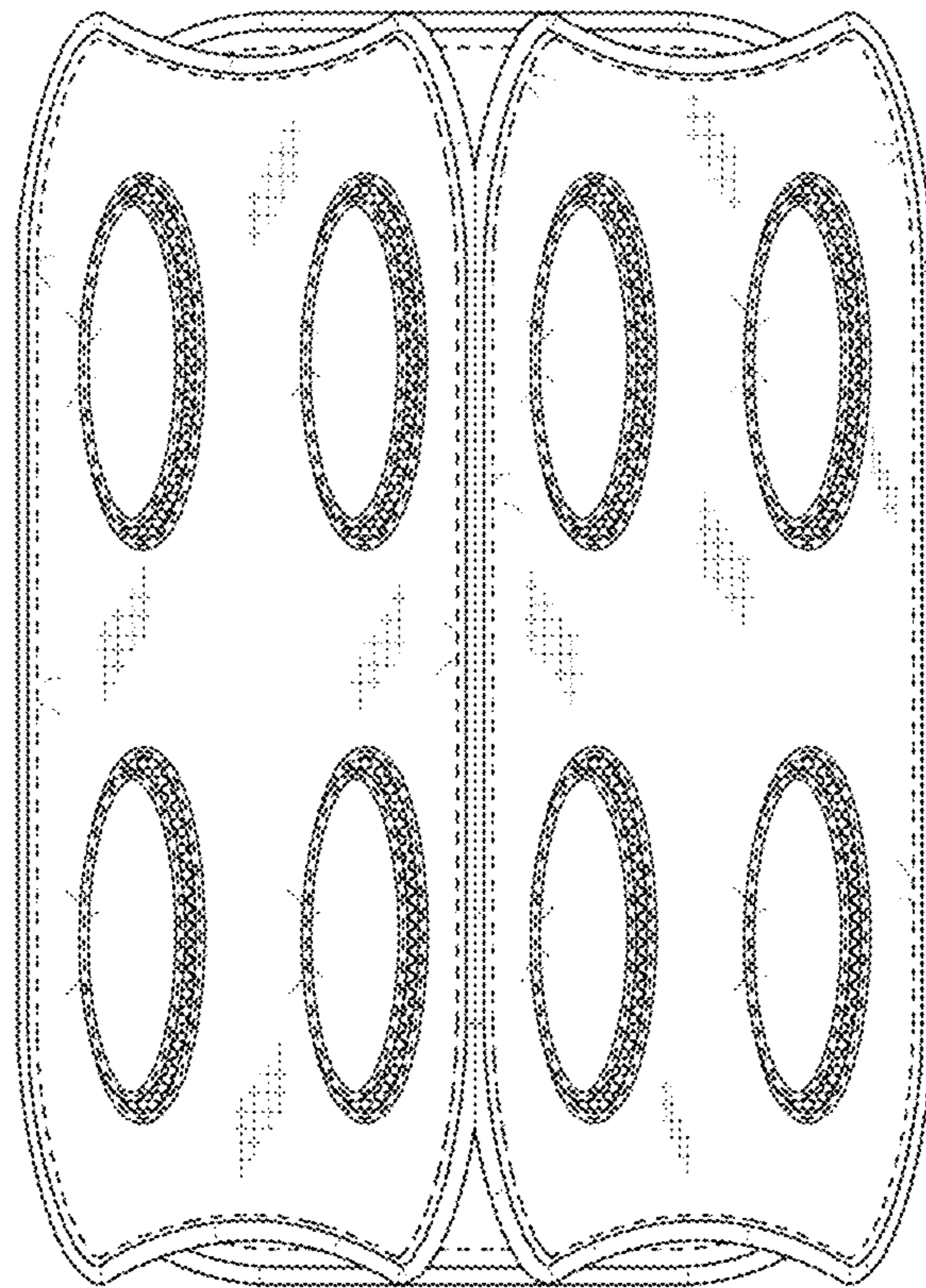


FIG. 7

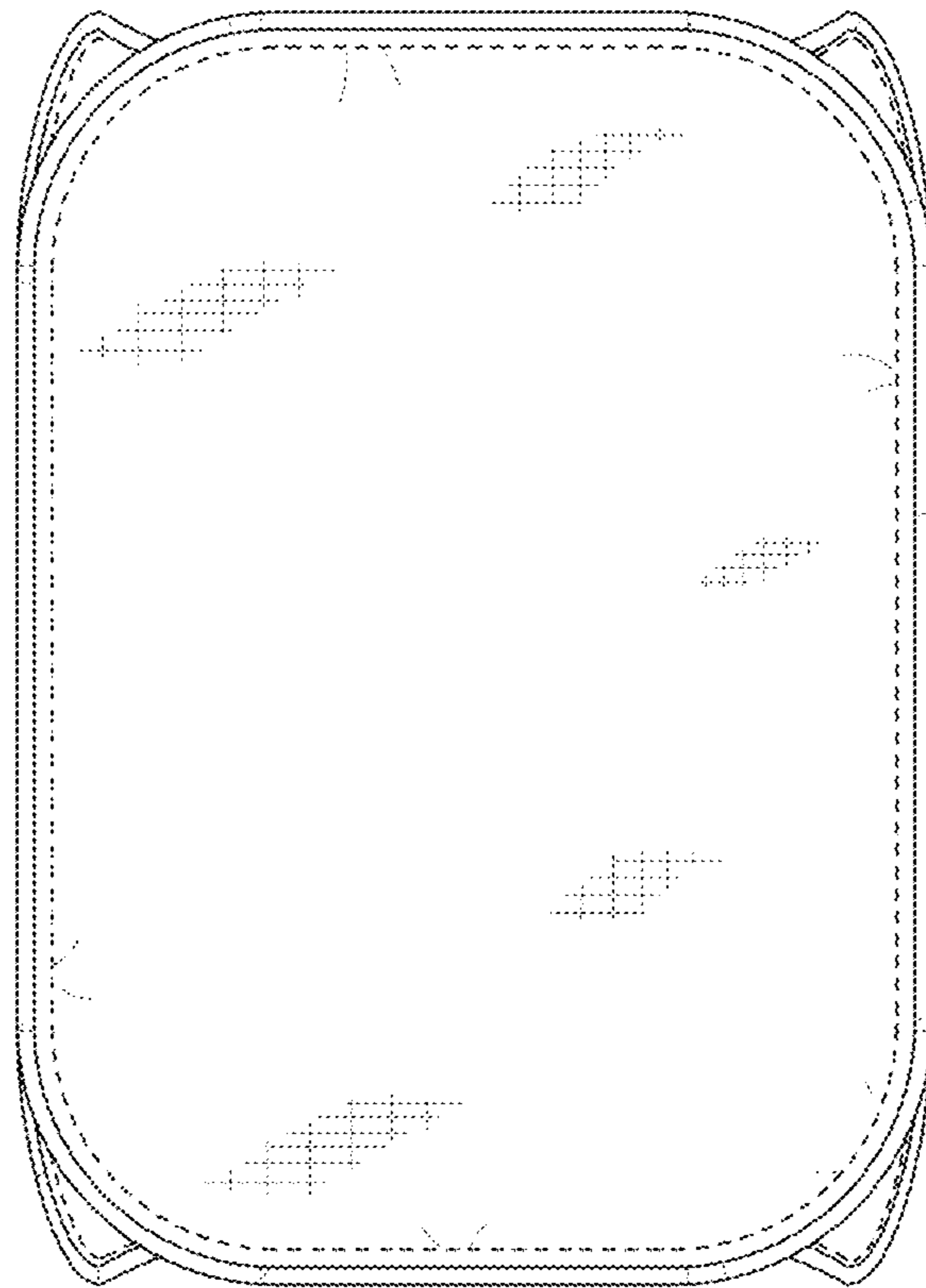


FIG. 8

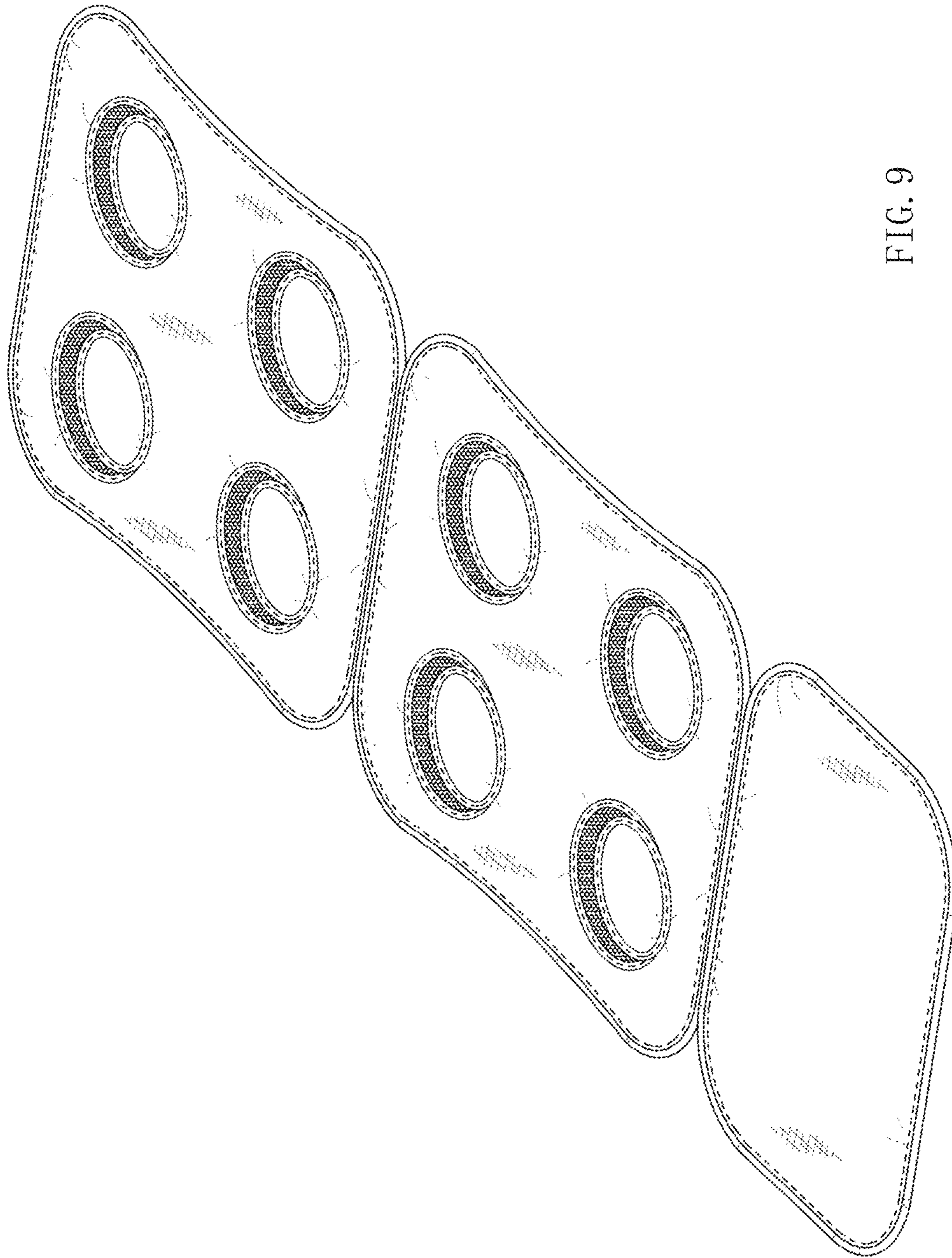


FIG. 9

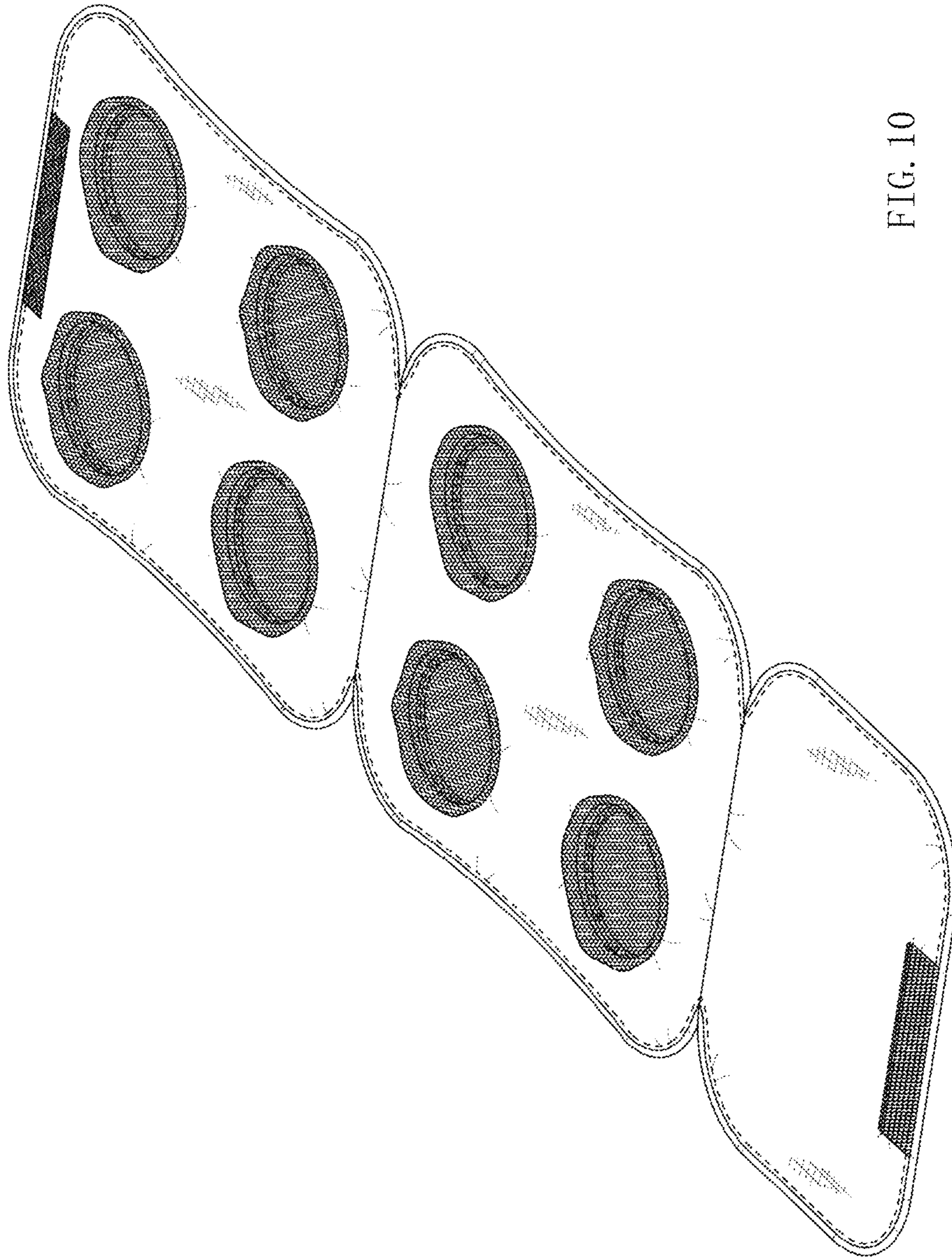


FIG. 10