



US00D986327S

(12) **United States Design Patent**  
**Rees et al.**

(10) **Patent No.:** **US D986,327 S**

(45) **Date of Patent:** **\*\* May 16, 2023**

(54) **GAME PIECE SET**

(74) *Attorney, Agent, or Firm* — Hodgson Russ LLP

(71) Applicant: **SMART N.V.**, Kontich (BE)

(57) **CLAIM**

(72) Inventors: **Leighton Rees**, Cirencester (GB); **Raf Peeters**, Lier (BE)

The ornamental design for a game piece set, as shown and described.

(73) Assignee: **SMART N.V.**, Kontich (BE)

**DESCRIPTION**

(\*\*) Term: **15 Years**

(21) Appl. No.: **29/719,124**

(22) Filed: **Dec. 31, 2019**

(51) **LOC (14) Cl.** ..... **21-01**

(52) **U.S. Cl.**

USPC ..... **D21/300**

(58) **Field of Classification Search**

USPC ..... D21/300, 329, 334, 335, 336, 337, 338,  
D21/341, 348, 349, 350, 360, 369, 370,  
D21/386, 389

CPC ..... A63F 3/00261; A63F 2003/0082; A63F  
2003/00264; A63F 3/00574; A63F  
3/0023; A63F 3/0052; A63F 9/06; A63F  
9/0073; A63F 3/00634; A63F 9/1044;  
A63F 9/1204

See application file for complete search history.

FIG. 1 is a top perspective view of a game piece set;  
FIG. 2 is a front elevation view thereof;  
FIG. 3 is a rear elevation view thereof;  
FIG. 4 is a left side elevation view thereof;  
FIG. 5 is a right side elevation view thereof;  
FIG. 6 is a top plan view thereof;  
FIG. 7 is a bottom plan view thereof;  
FIG. 8 is a top perspective view of a first piece of the game piece set shown apart for ease of illustration;  
FIG. 9 is a front elevation view thereof;  
FIG. 10 is a rear elevation view thereof;  
FIG. 11 is a left side elevation view thereof;  
FIG. 12 is a right side elevation view thereof;  
FIG. 13 is a top plan view thereof;  
FIG. 14 is a bottom plan view thereof;  
FIG. 15 is a top perspective view of a second piece of the game piece set shown apart for ease of illustration;  
FIG. 16 is a front elevation view thereof;  
FIG. 17 is a rear elevation view thereof;  
FIG. 18 is a left side elevation view thereof;  
FIG. 19 is a right side elevation view thereof;  
FIG. 20 is a top plan view thereof;  
FIG. 21 is a bottom plan view thereof;  
FIG. 22 is a top perspective view of a third piece of the game piece set shown apart for ease of illustration;  
FIG. 23 is a front elevation view thereof;  
FIG. 24 is a rear elevation view thereof;  
FIG. 25 is a left side elevation view thereof;  
FIG. 26 is a right side elevation view thereof;  
FIG. 27 is a top plan view thereof; and,  
FIG. 28 is a bottom plan view thereof.

(56) **References Cited**

U.S. PATENT DOCUMENTS

D384,109 S \* 9/1997 Sirotic ..... D21/300  
D455,181 S \* 4/2002 Moffett, III ..... D21/334  
D624,599 S \* 9/2010 Knight ..... D21/311  
D688,750 S \* 8/2013 Douglas ..... D21/336

(Continued)

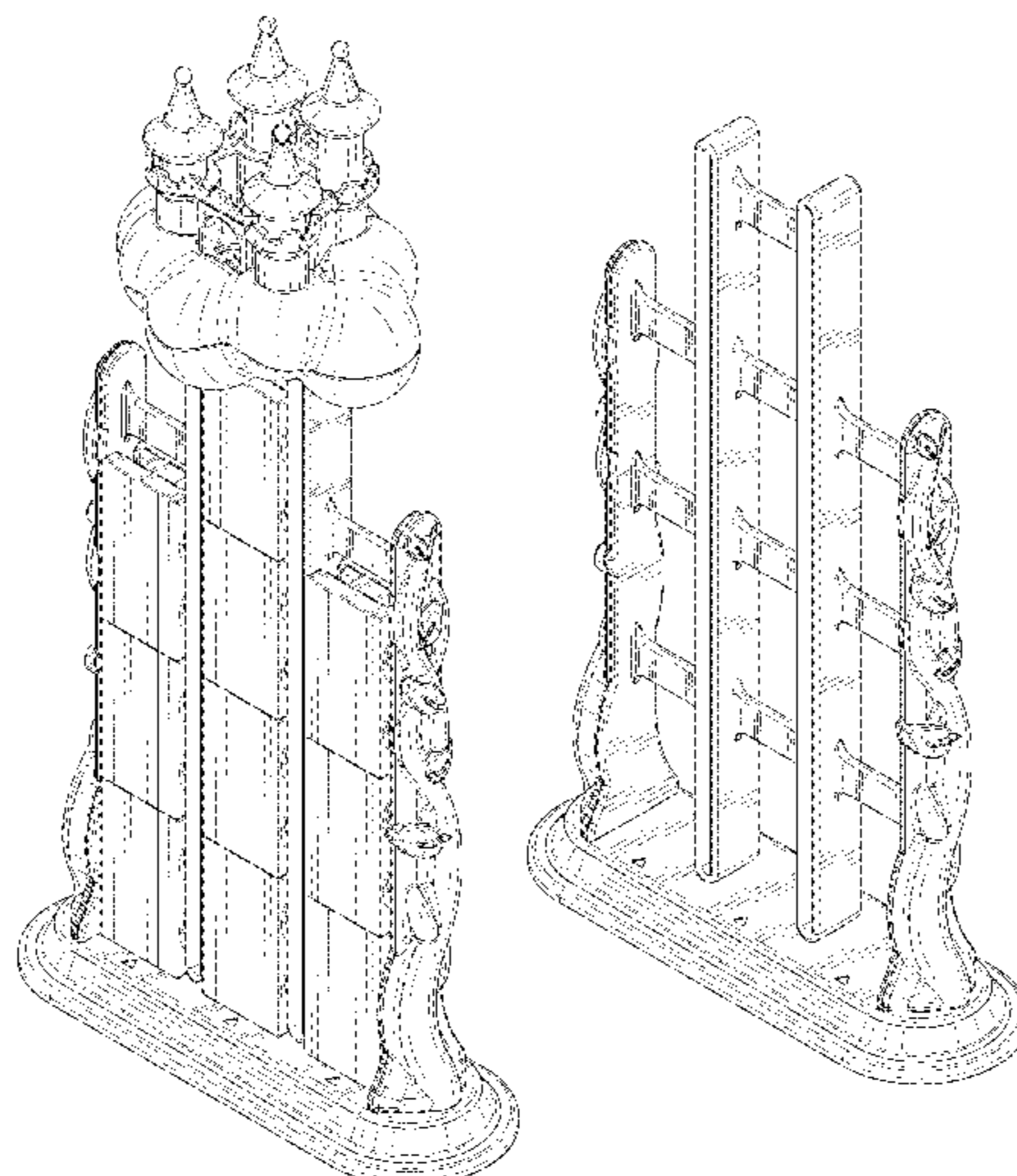
OTHER PUBLICATIONS

“SmarGames Jack and the Beansstal deluxe” posted Aug. 19, 2016 [Online], [retrieved Mar. 11, 2022]. Retrieved from Internet: <https://amzn.to/3tTm3wc>.\*

The broken lines in the drawings depict portions of the game piece set that form no part of the claimed design.

*Primary Examiner* — Mehri F Bajoul

**1 Claim, 28 Drawing Sheets**



(56)

**References Cited**

U.S. PATENT DOCUMENTS

D695,353 S	*	12/2013	Taylor .....	D21/389
D911,448 S	*	2/2021	Peeters .....	D21/478
D911,449 S	*	2/2021	Peeters .....	D21/342
D911,450 S	*	2/2021	Peeters .....	D21/336
D915,522 S	*	4/2021	Rees .....	D21/360

\* cited by examiner

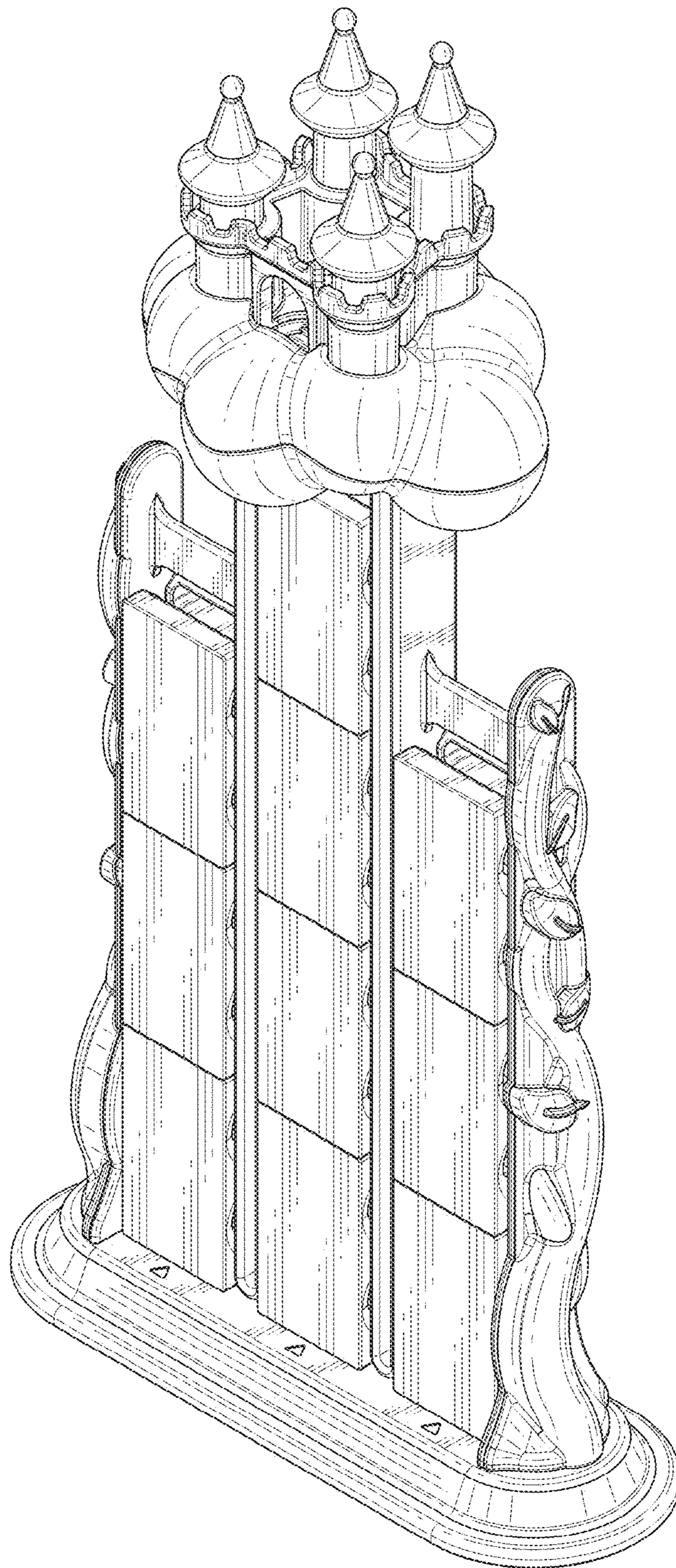


FIG. 1

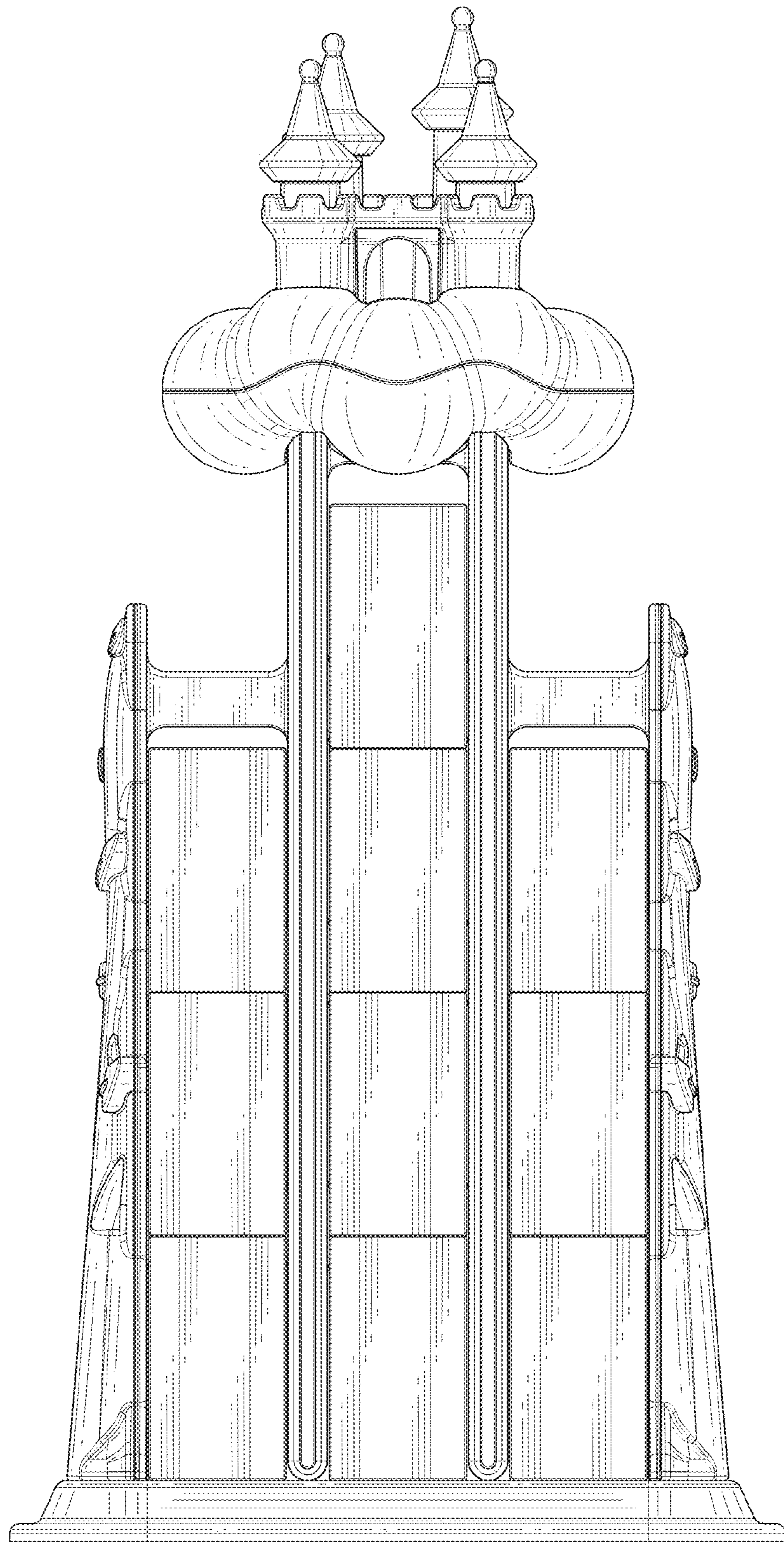


FIG. 2

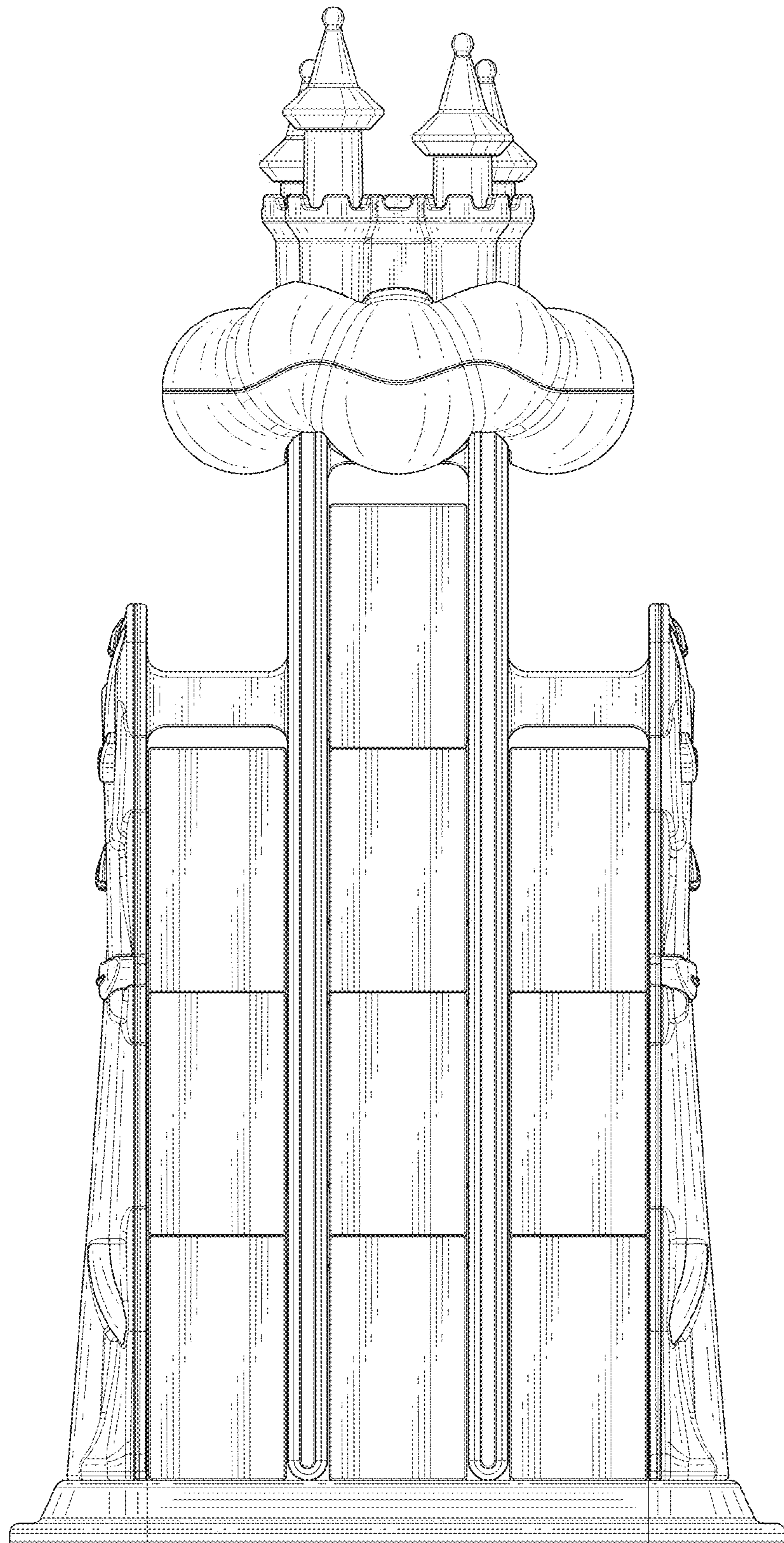


FIG. 3

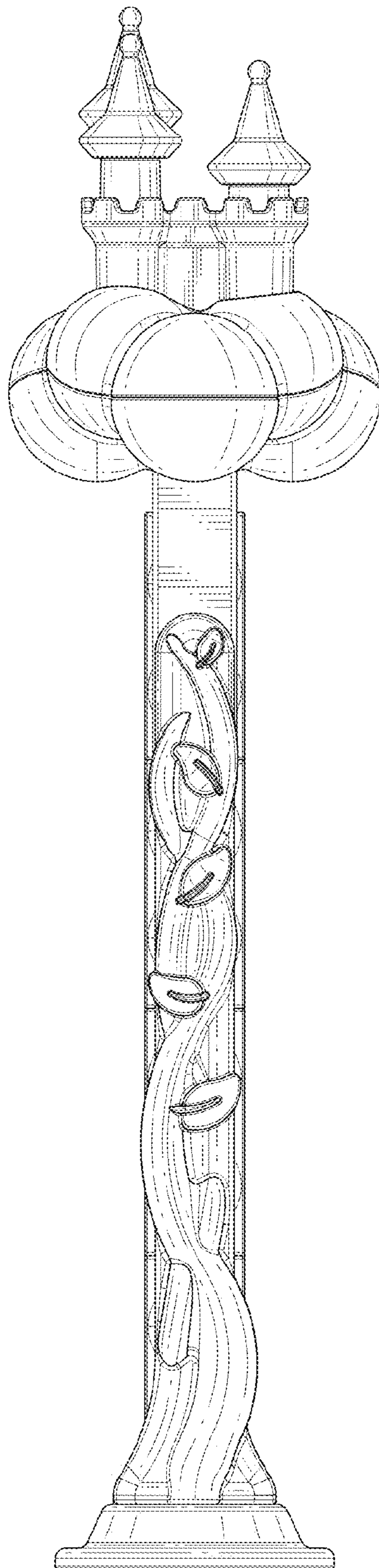


FIG. 4

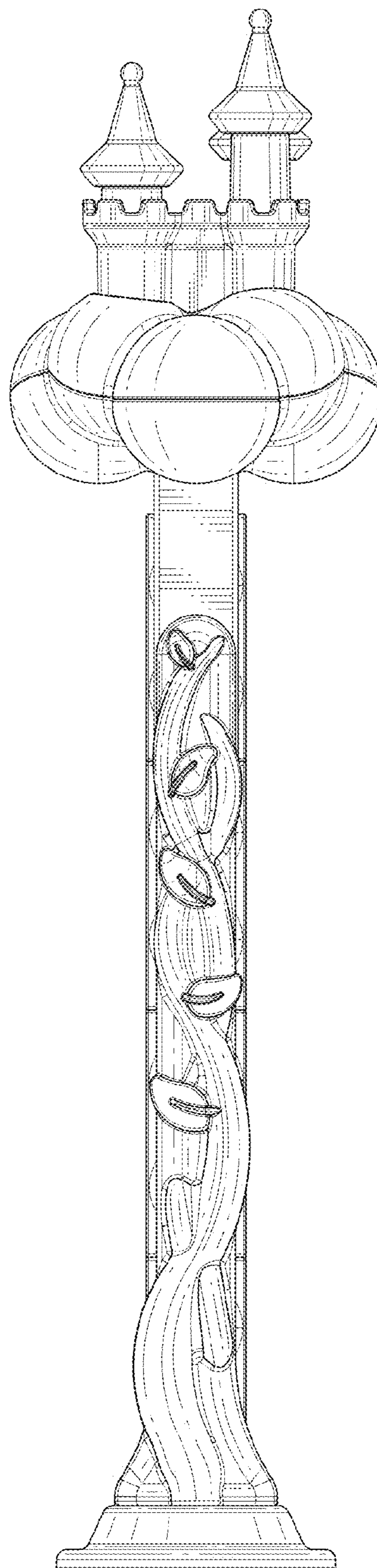


FIG. 5

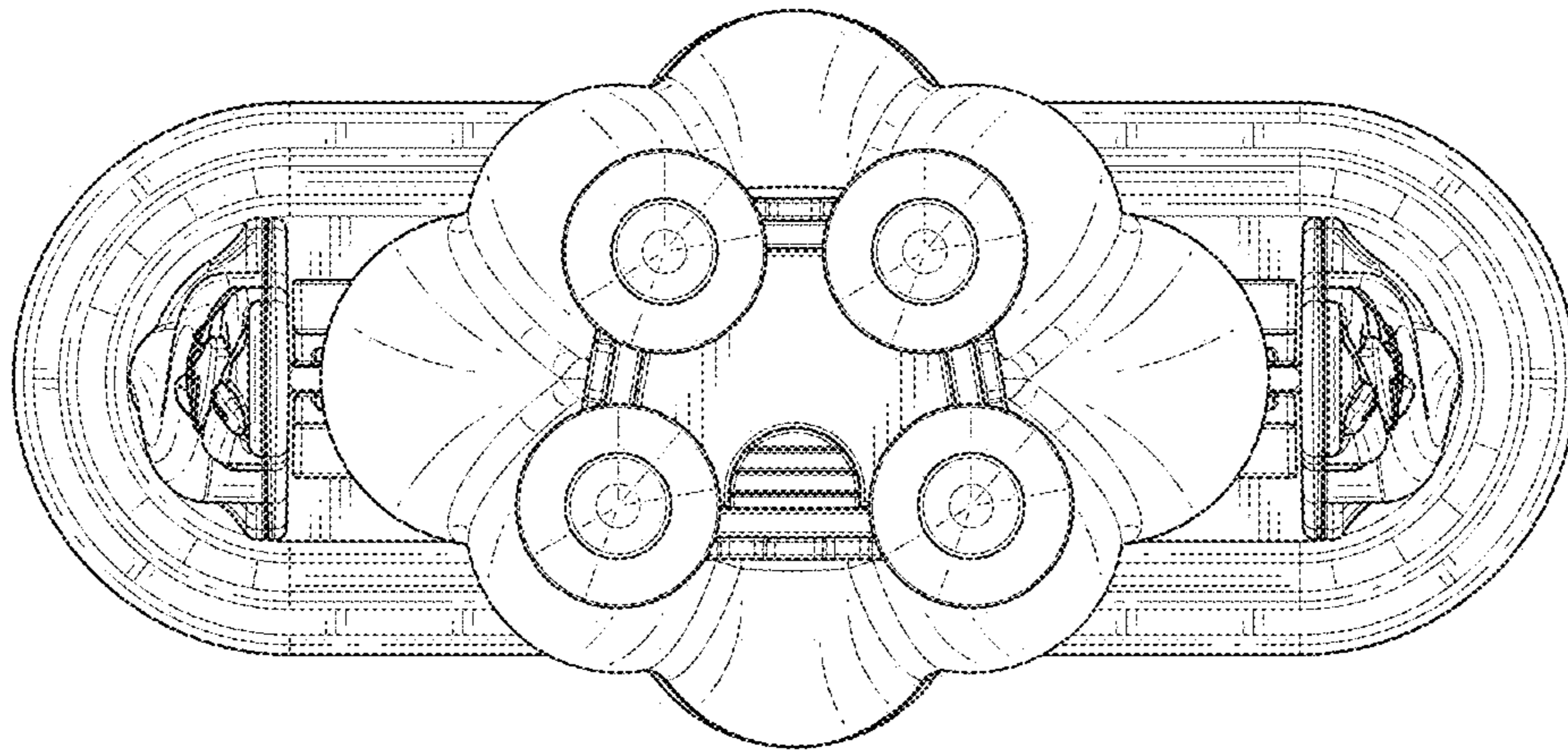


FIG. 6



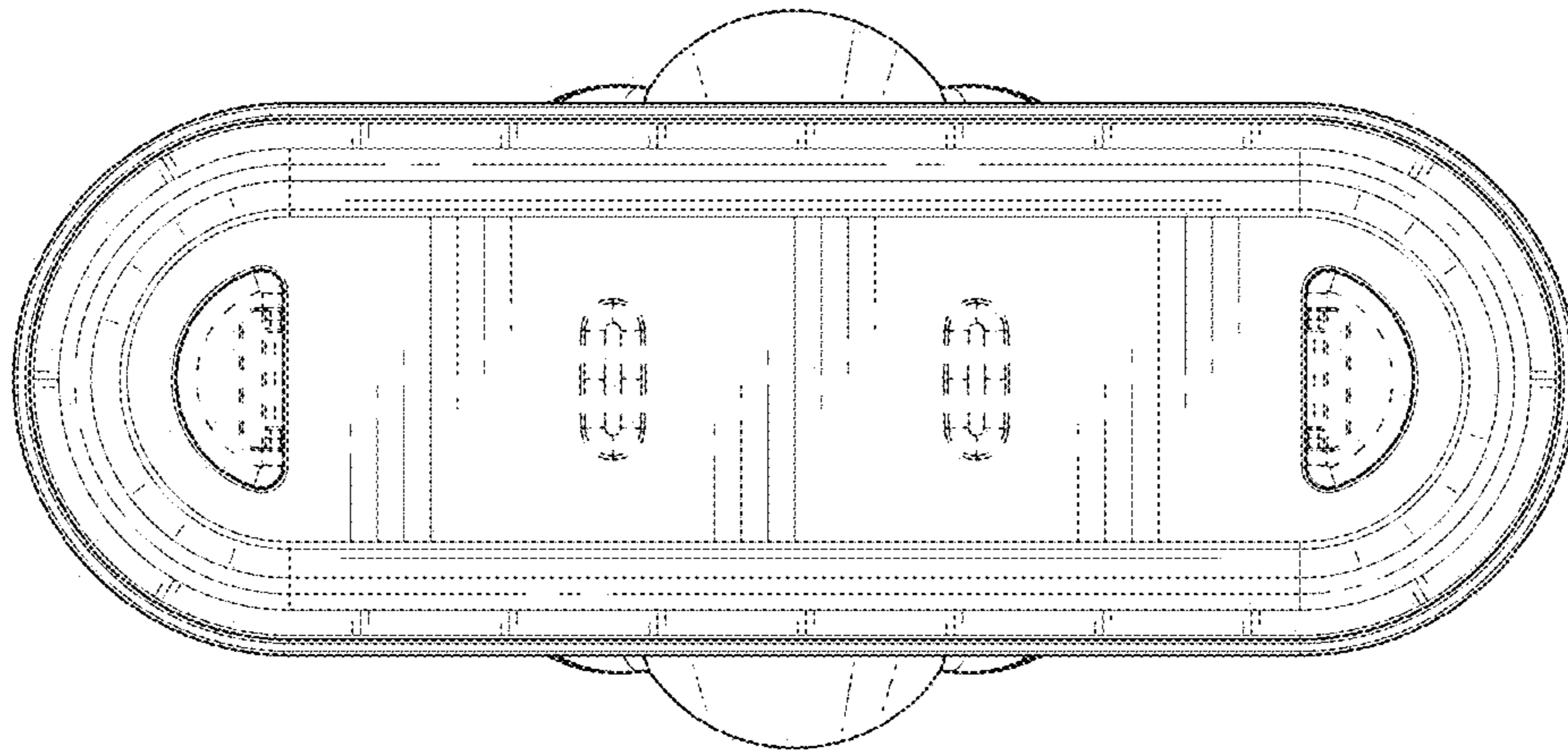


FIG. 7

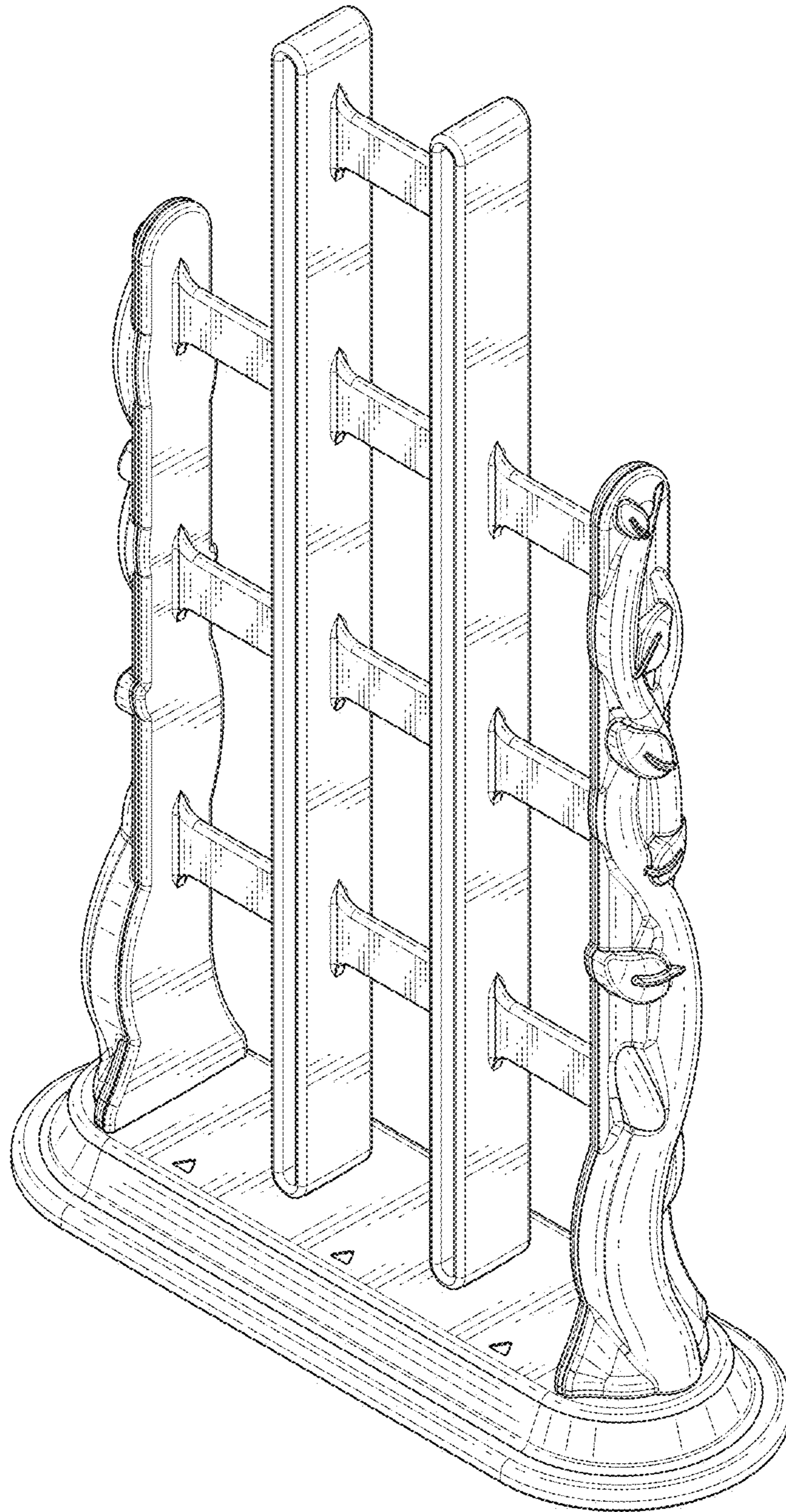


FIG. 8

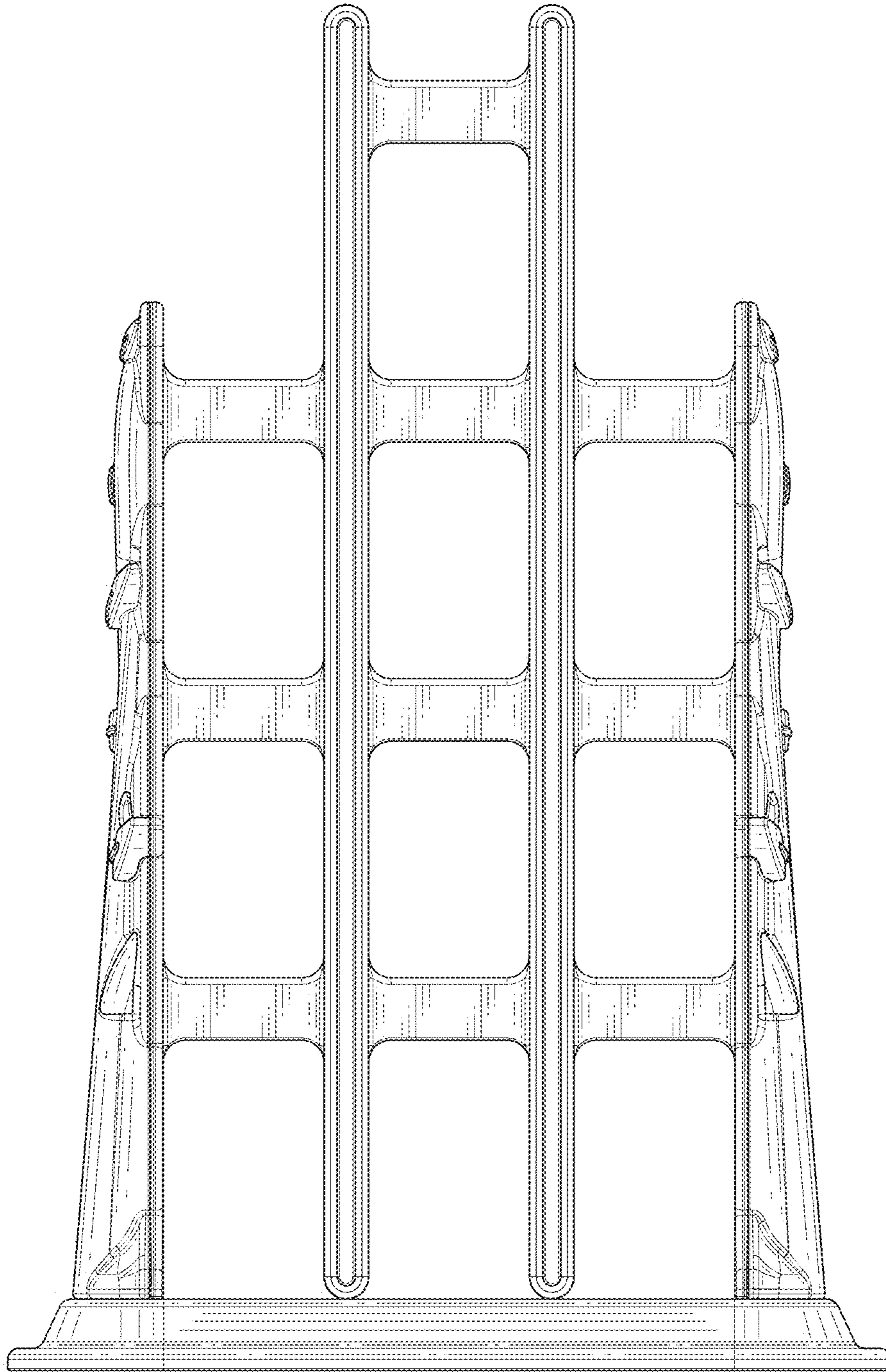


FIG. 9

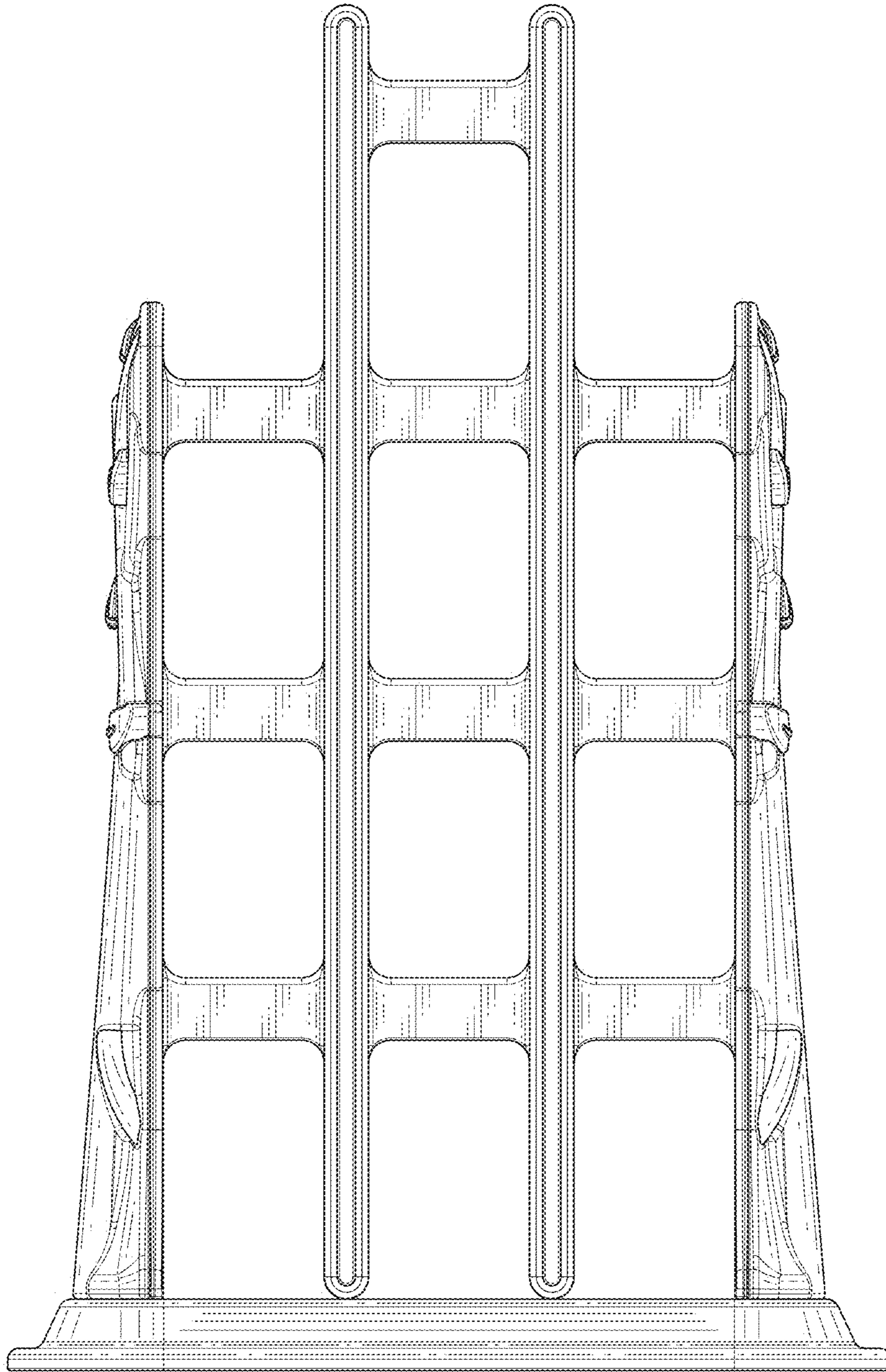


FIG. 10

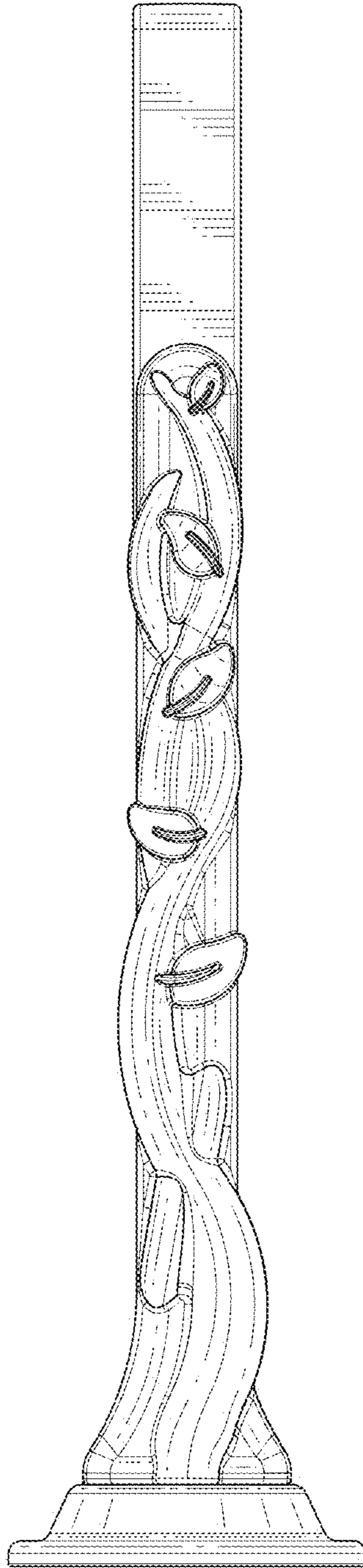


FIG. 11

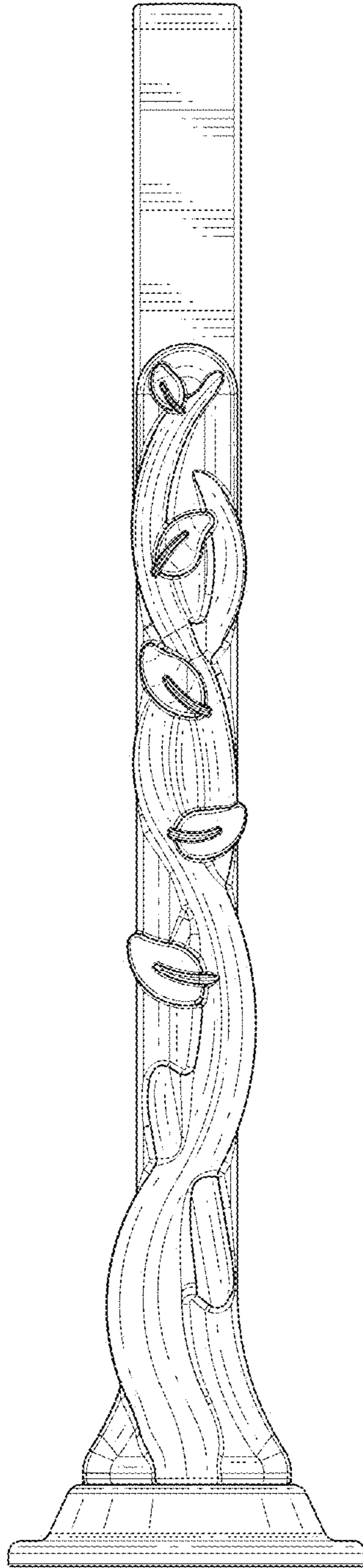


FIG. 12

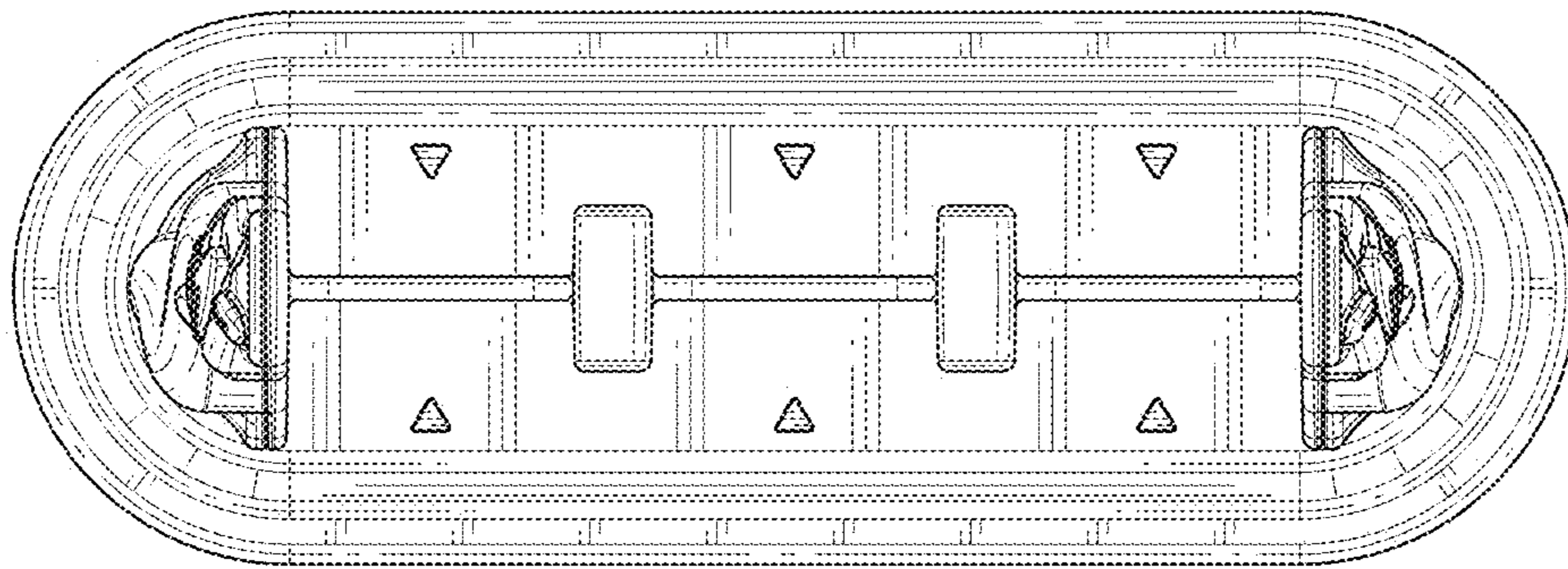


FIG. 13

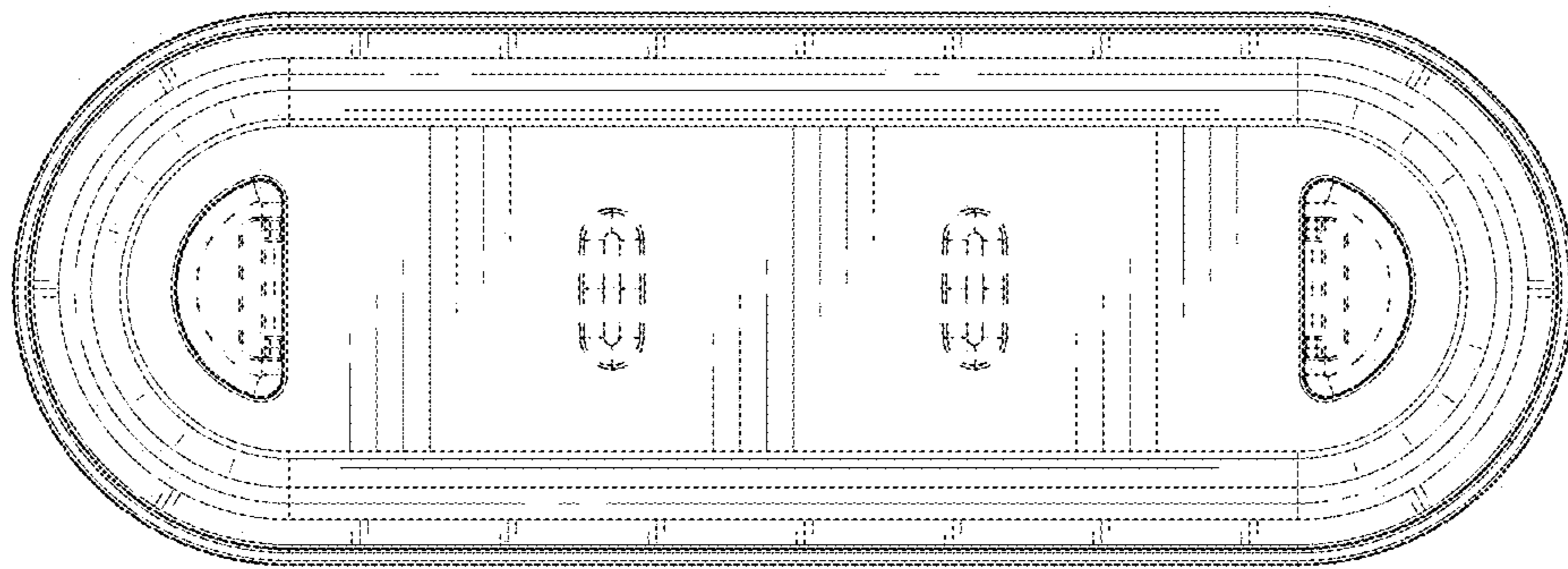


FIG. 14



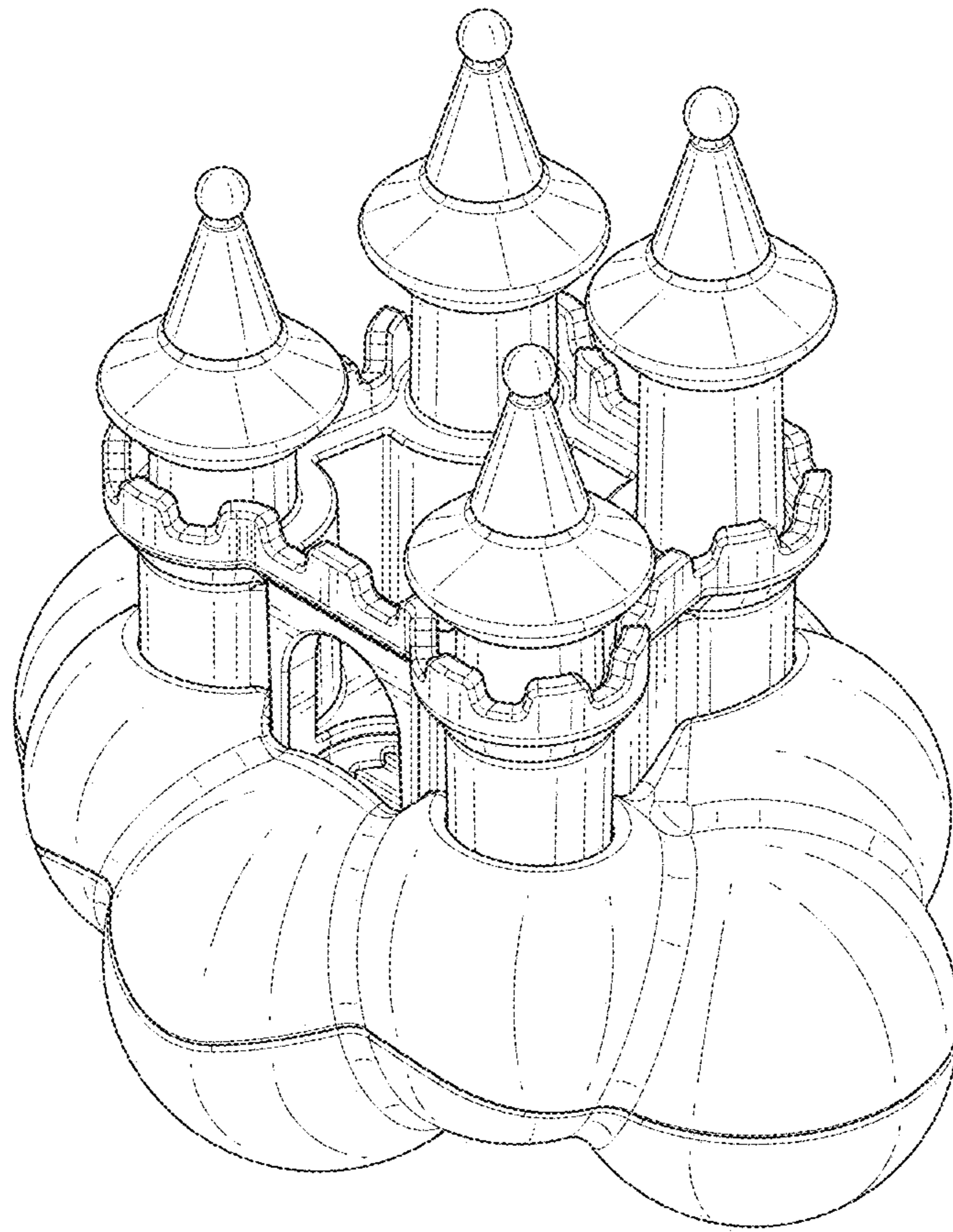


FIG. 15

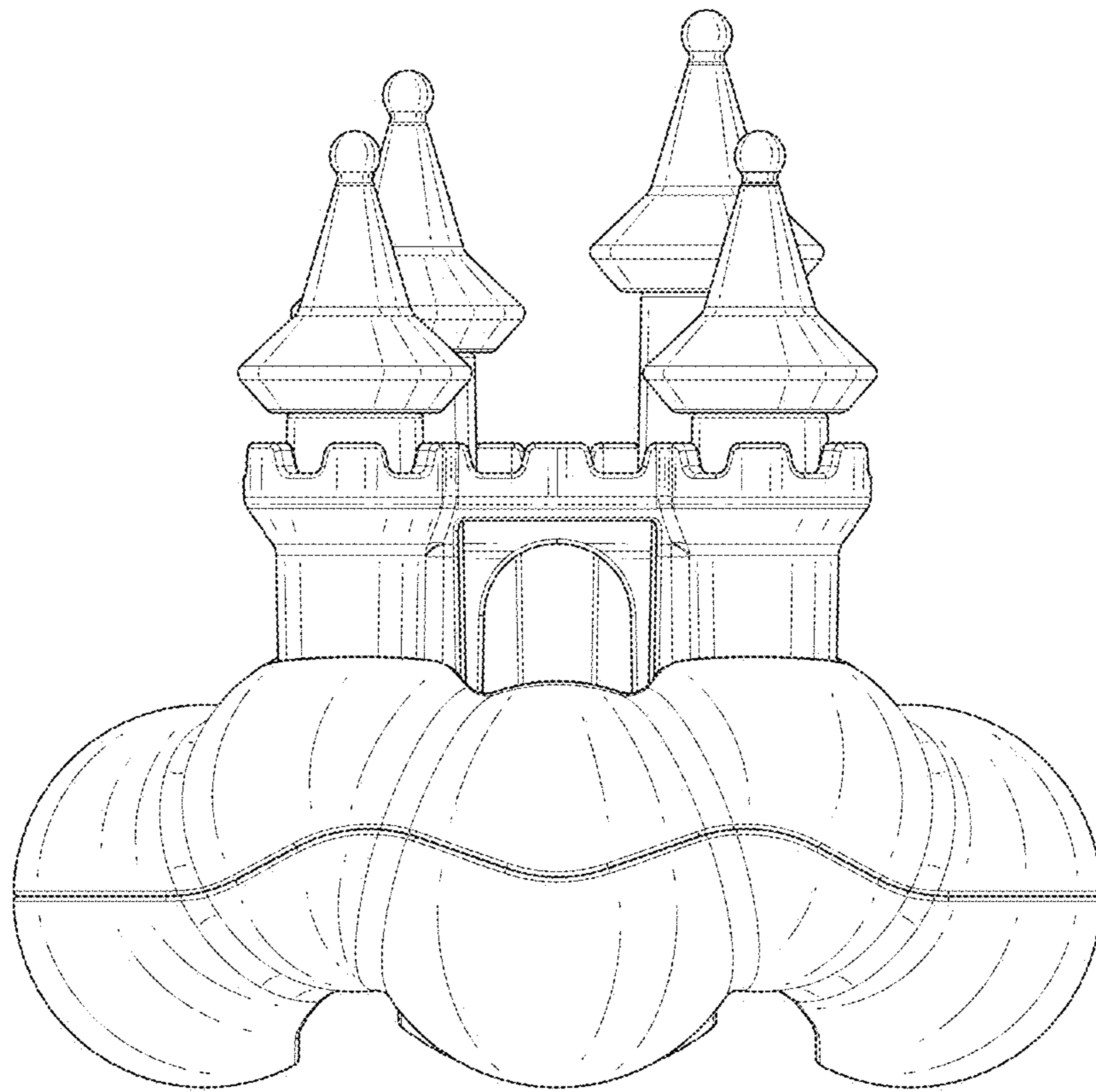


FIG. 16

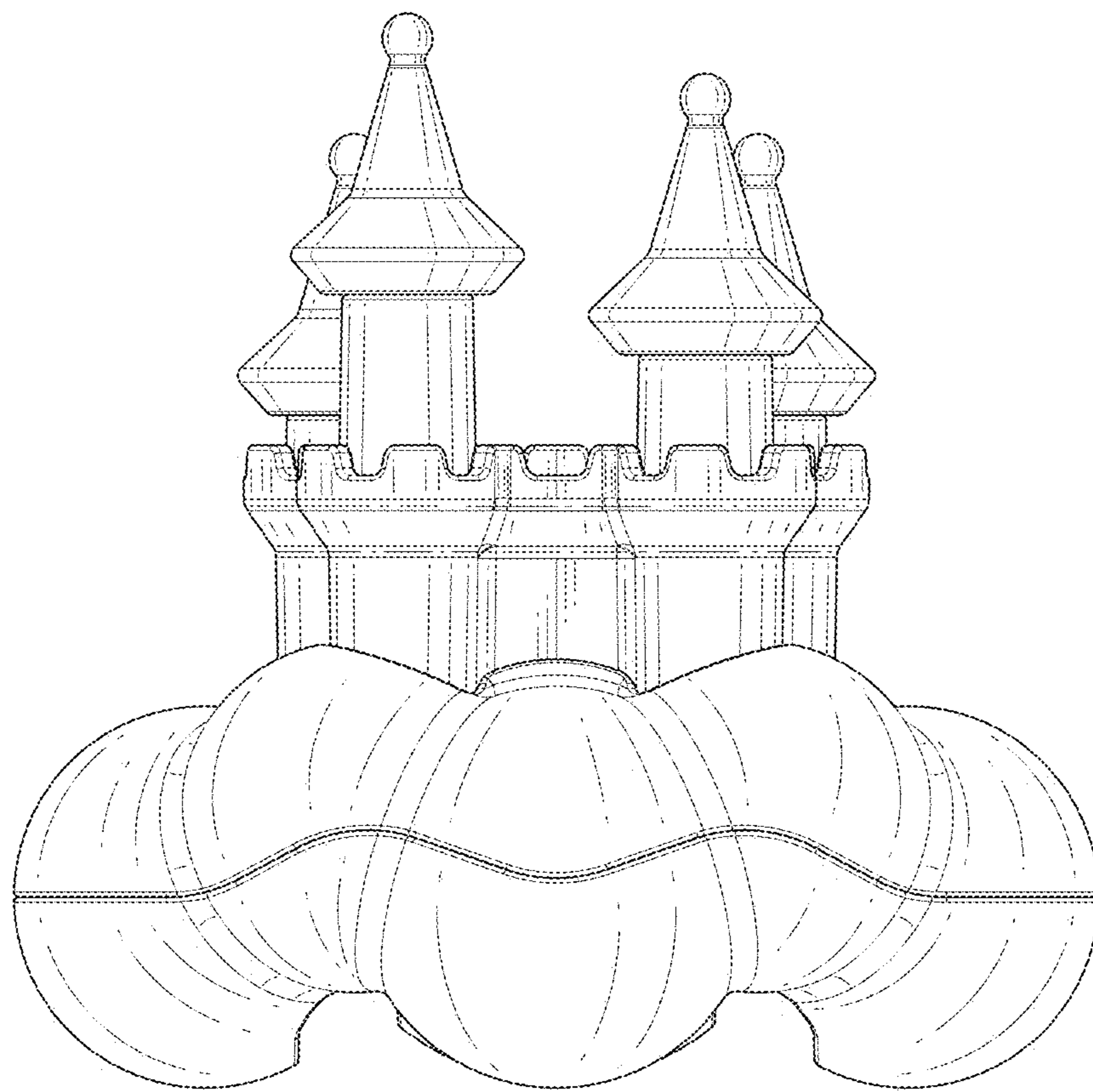


FIG. 17

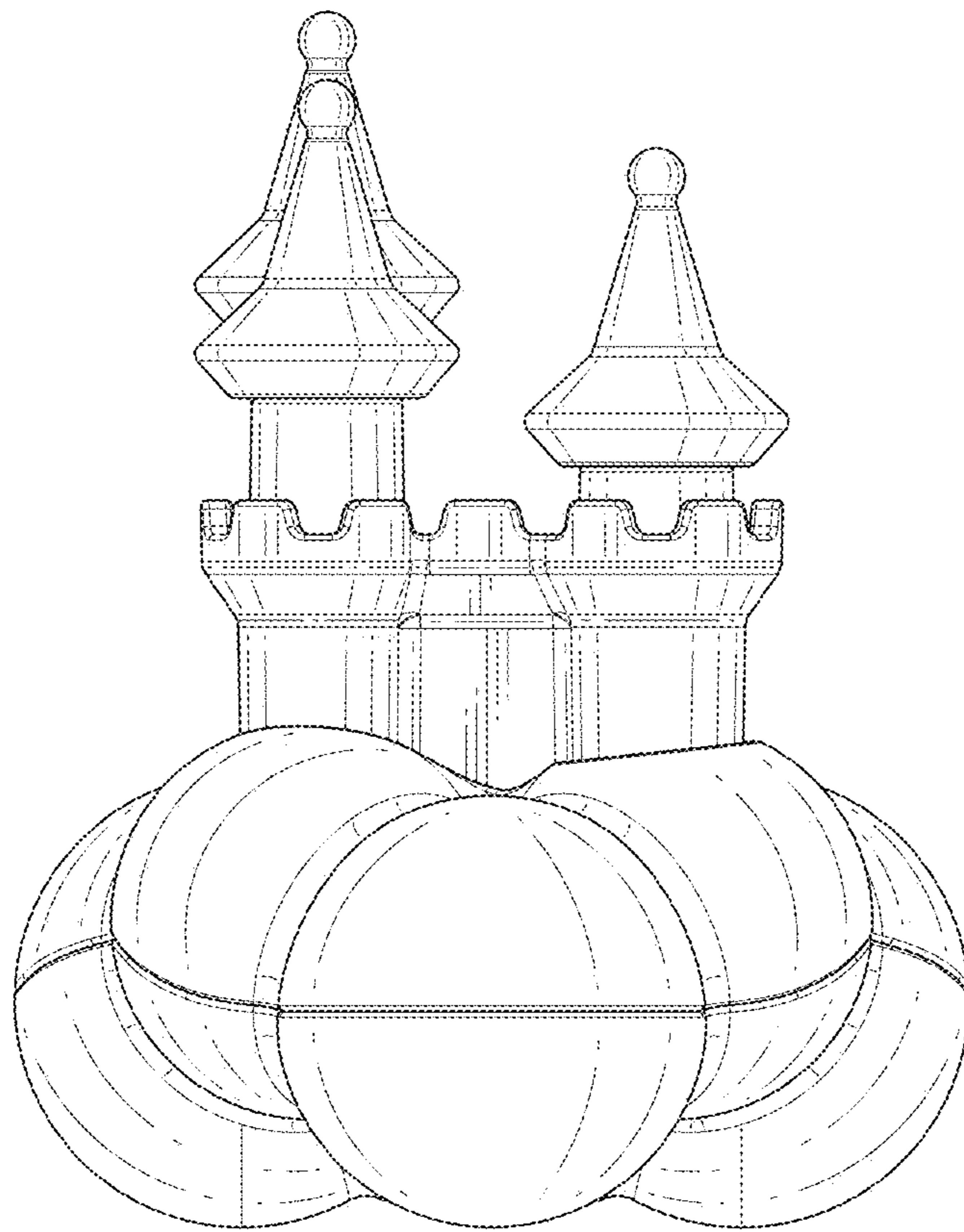


FIG. 18

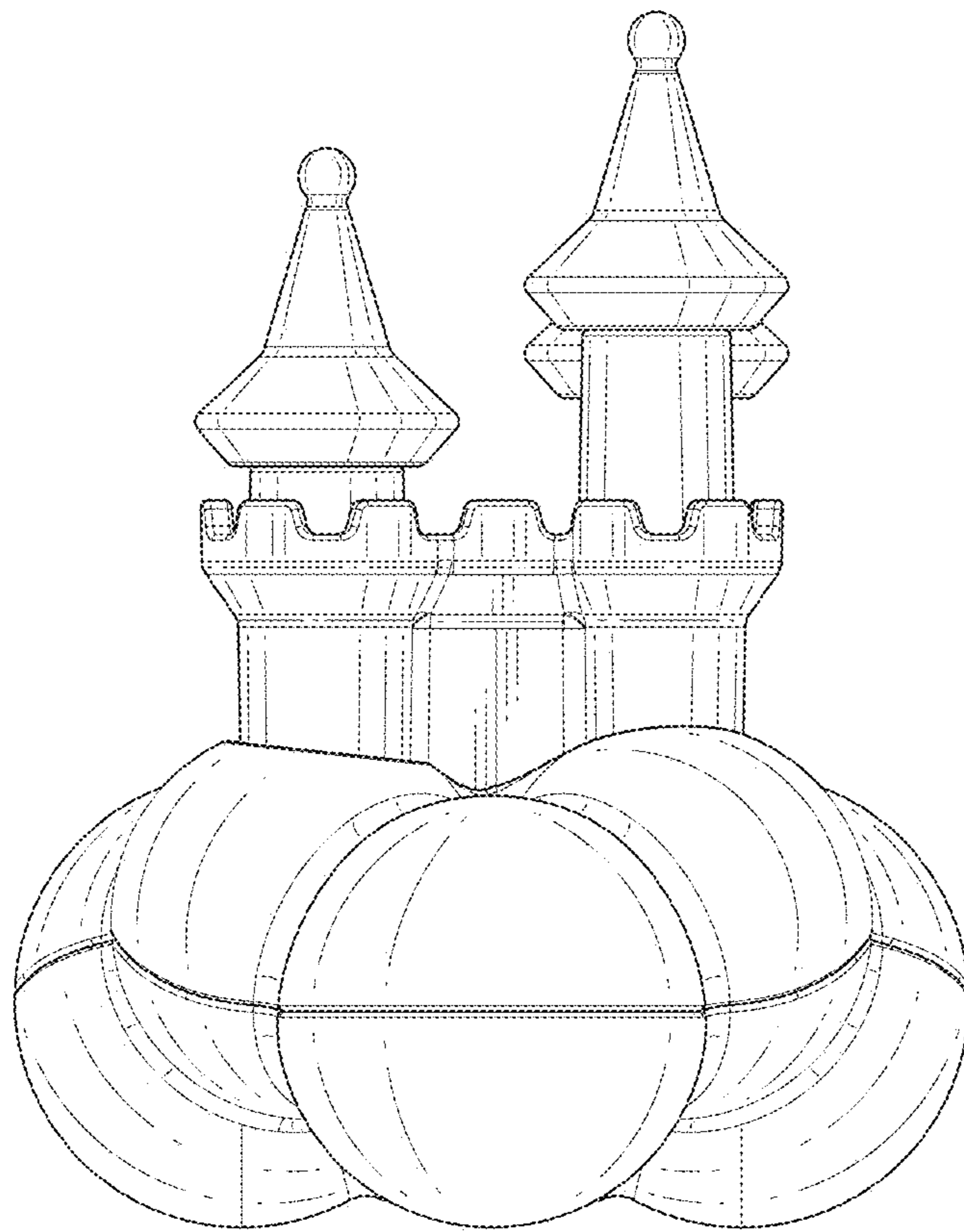


FIG. 19

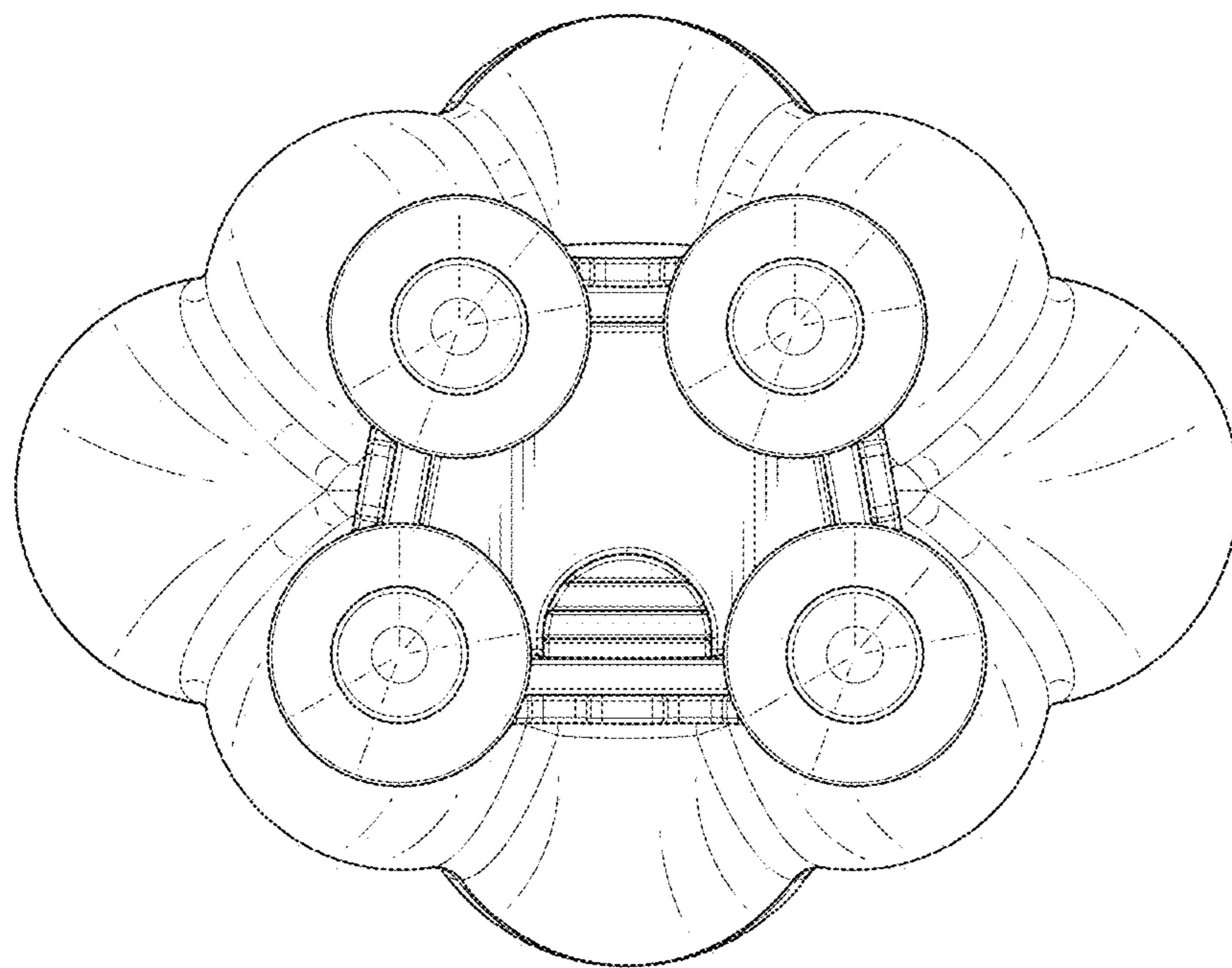


FIG. 20

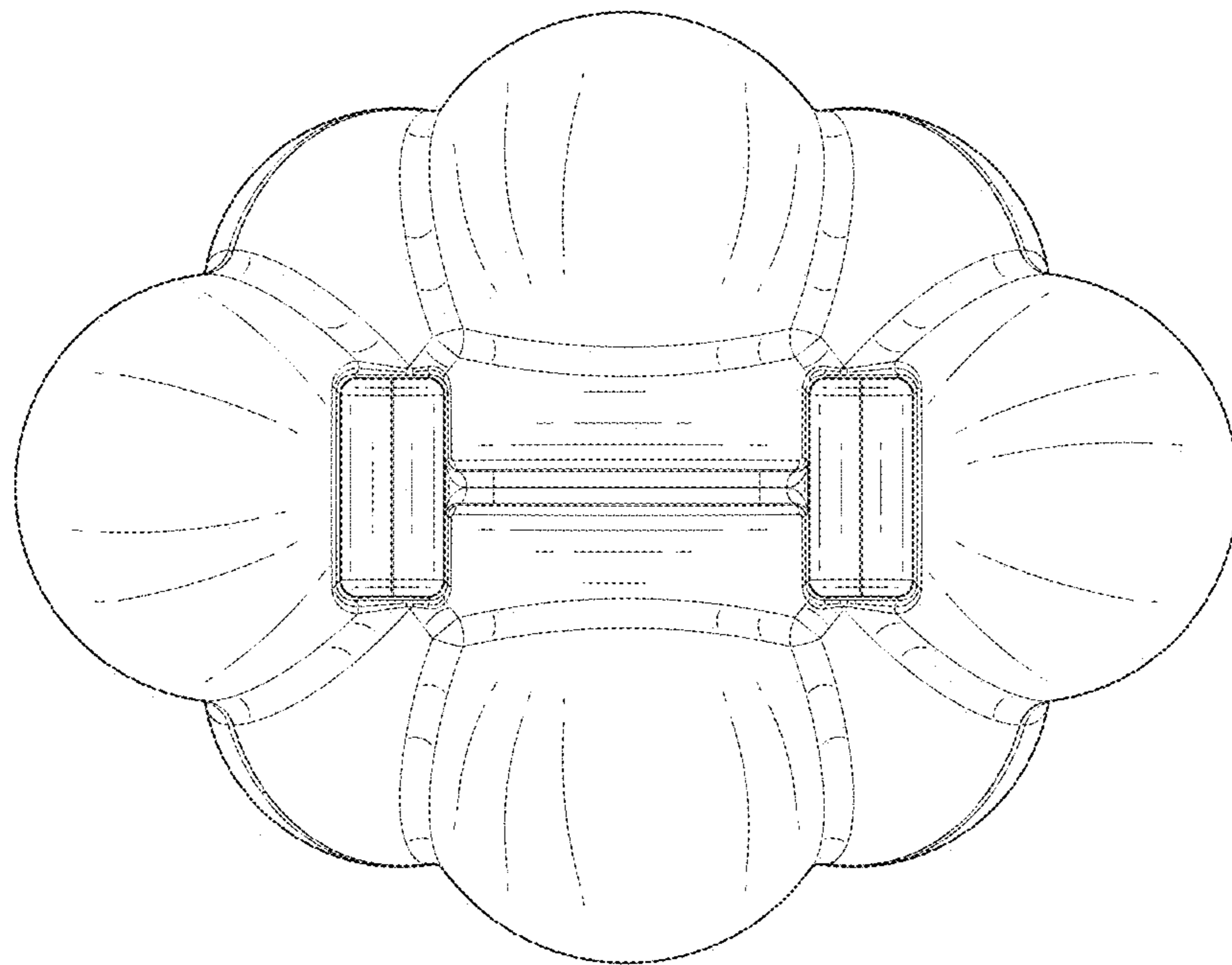


FIG. 21

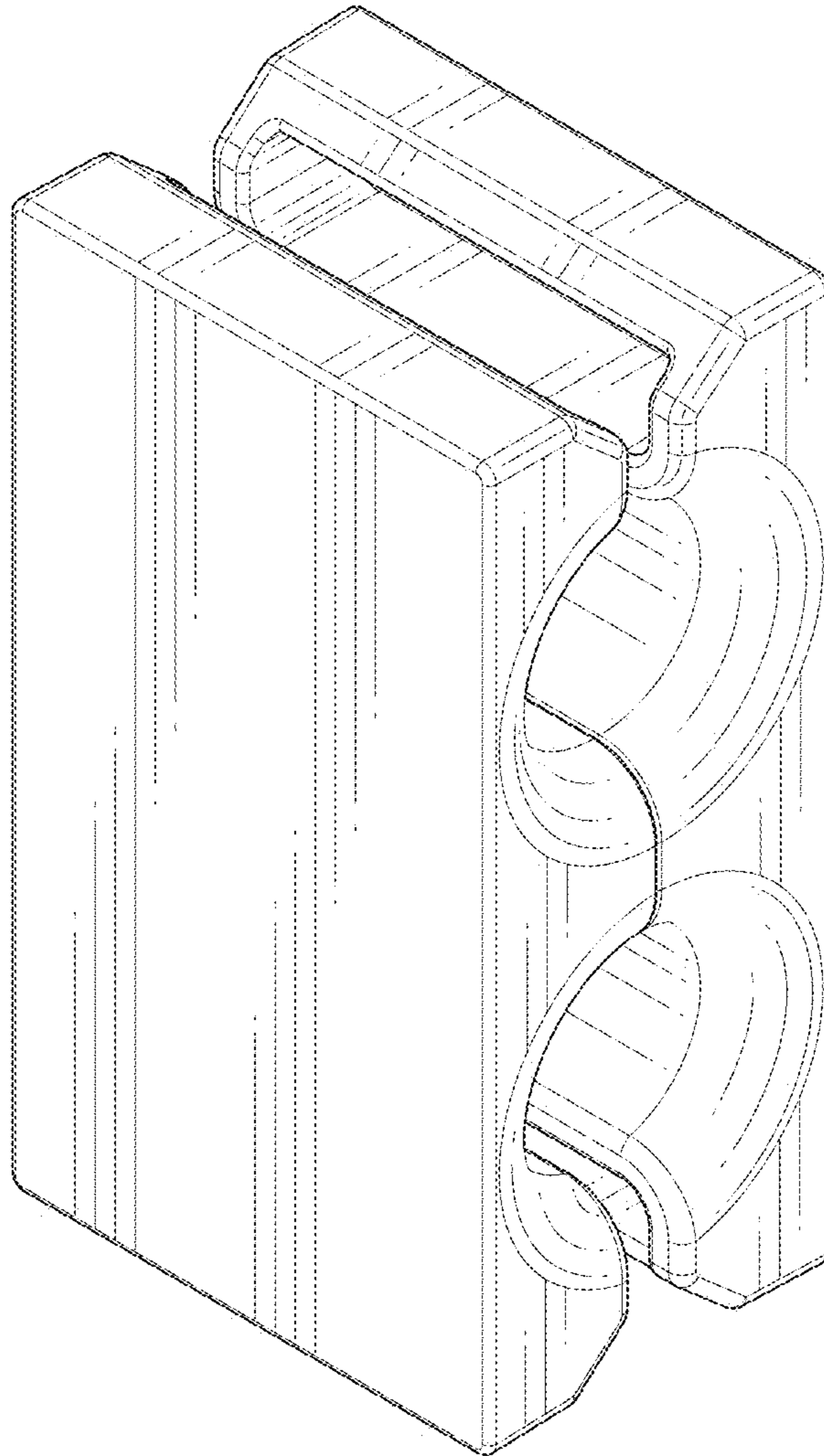


FIG. 22



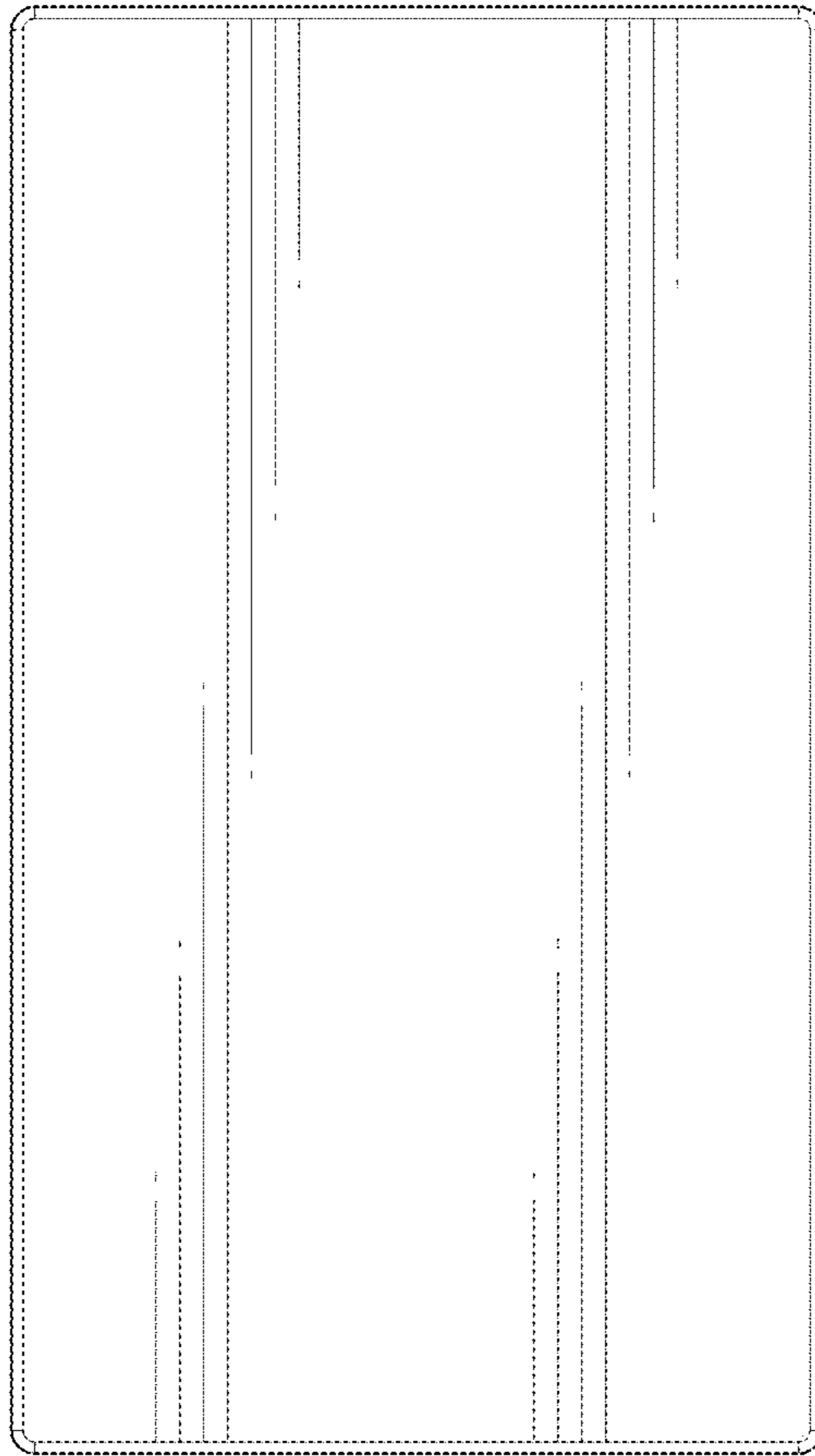


FIG. 23

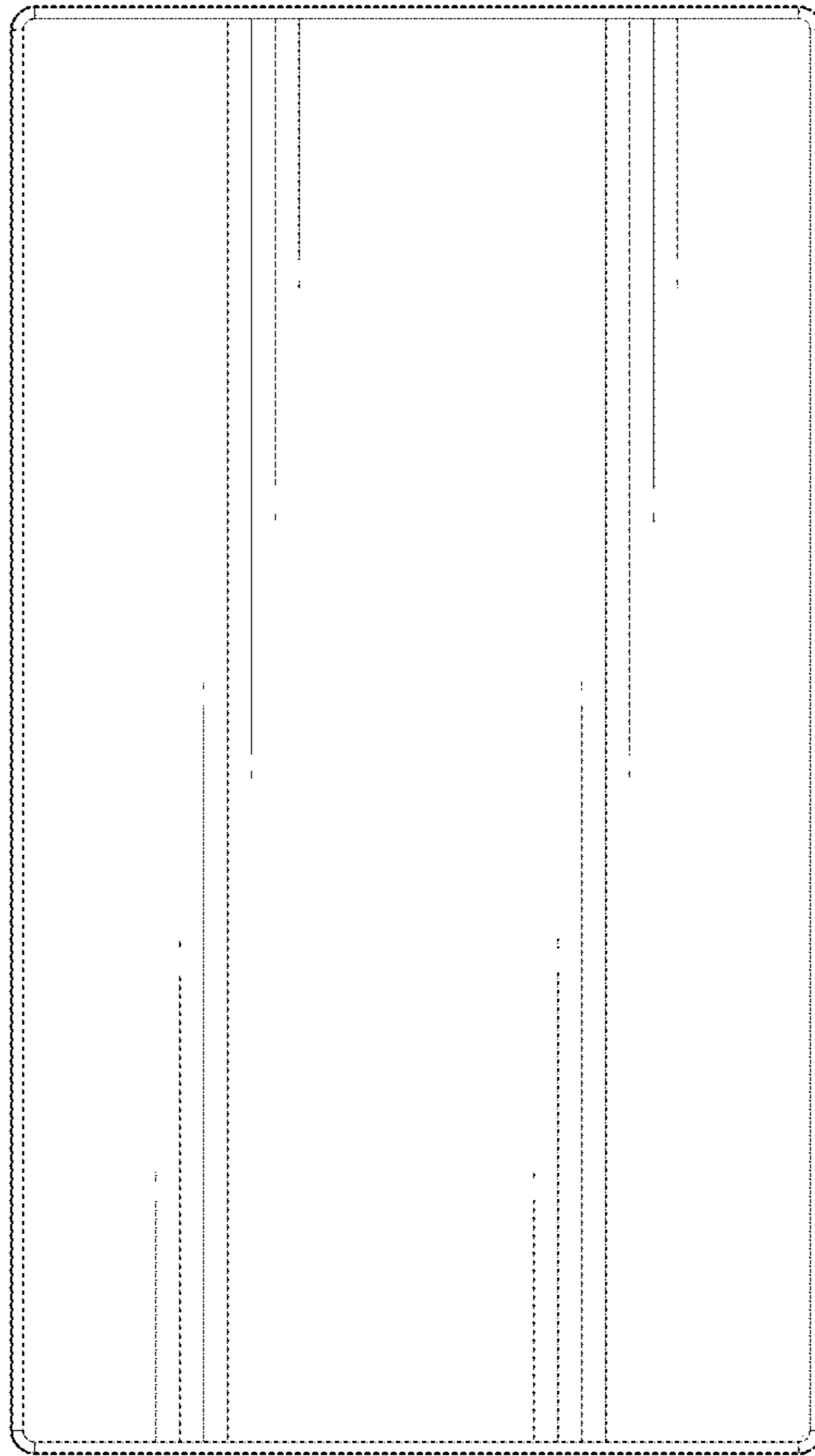


FIG. 24

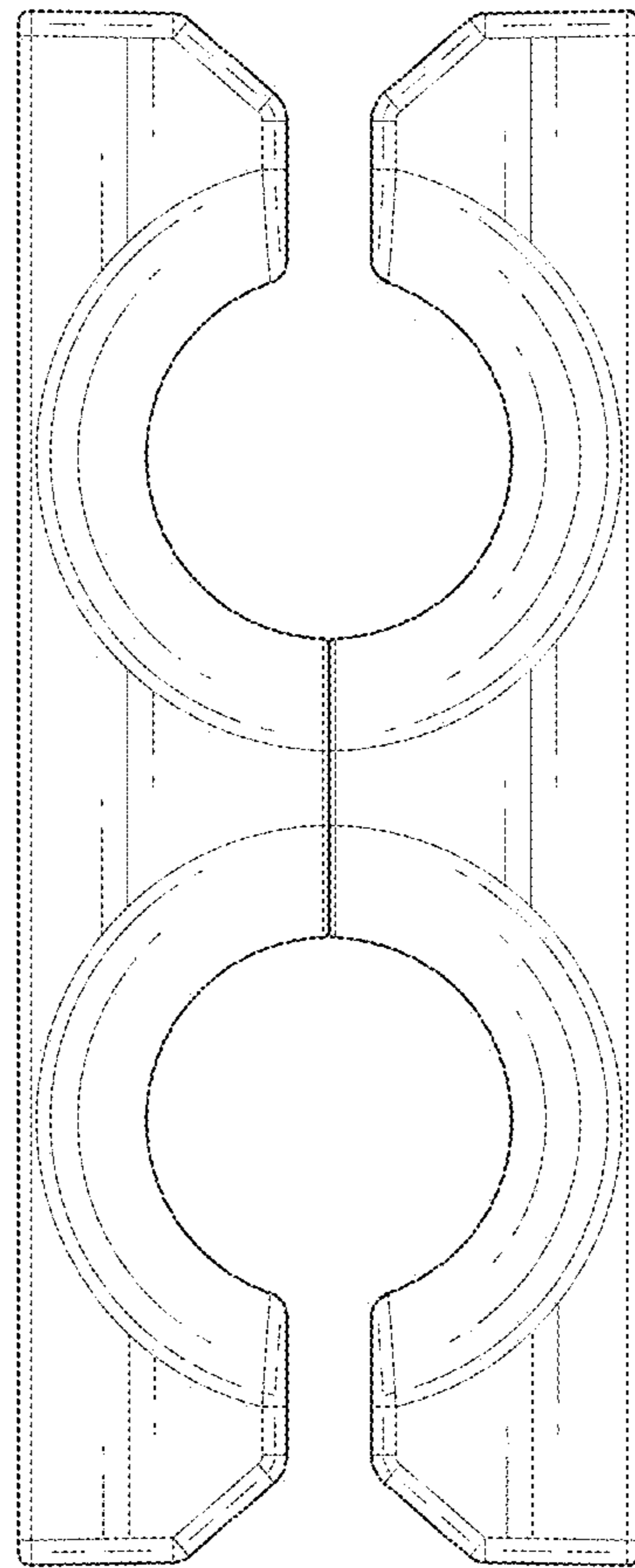


FIG. 25

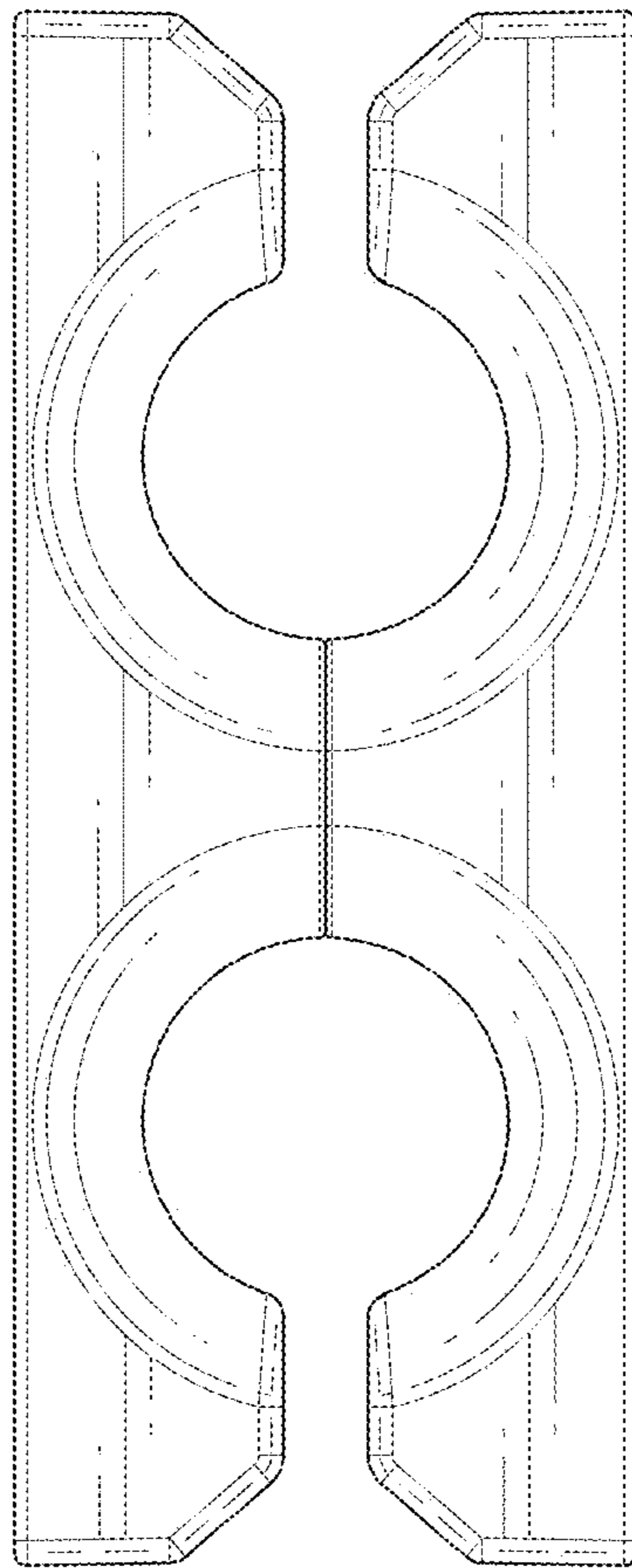


FIG. 26

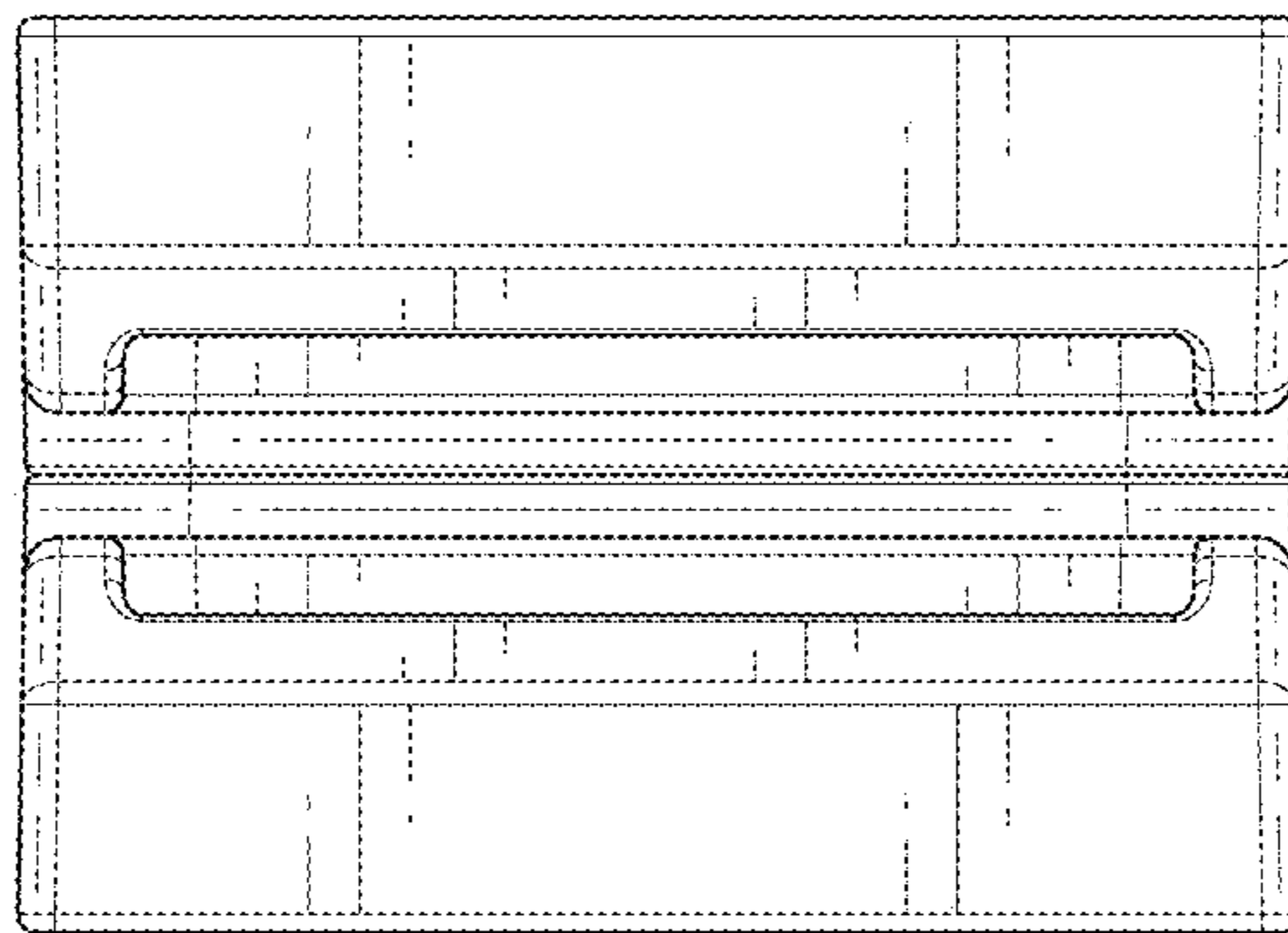


FIG. 27

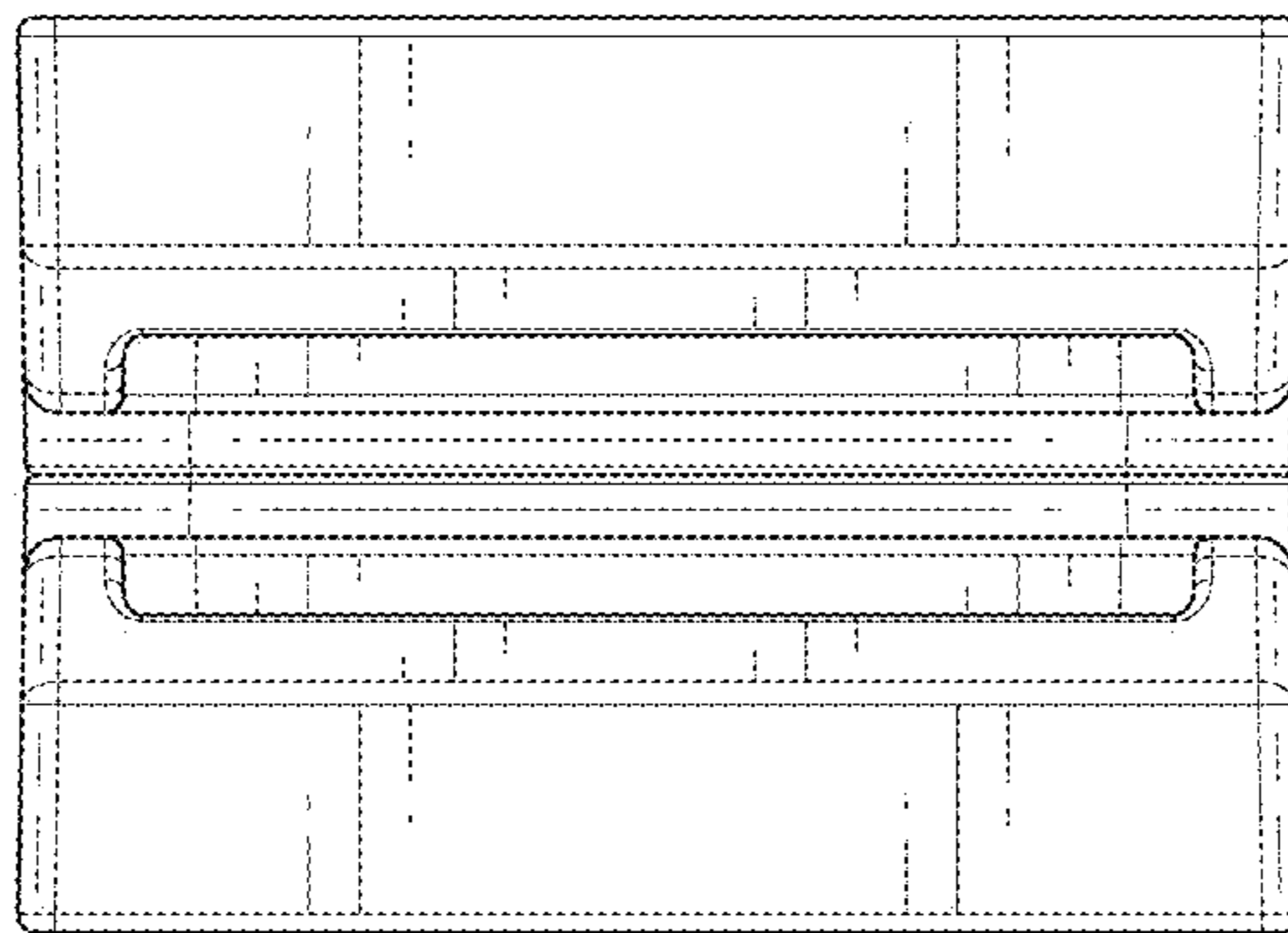


FIG. 28