



US00D986322S

(12) **United States Design Patent**
Joseph

(10) **Patent No.:** **US D986,322 S**

(45) **Date of Patent:** **** May 16, 2023**

(54) **TIERED ORGANIZER**

(71) Applicant: **JOSEPH JOSEPH LTD.**, London
(GB)

(72) Inventor: **Antony Joseph**, London (GB)

(73) Assignee: **JOSEPH JOSEPH LTD.**, London
(GB)

(**) Term: **15 Years**

(21) Appl. No.: **29/794,550**

(22) Filed: **Jun. 14, 2021**

(30) **Foreign Application Priority Data**

Dec. 15, 2020 (EM) 008323034-0008

(51) **LOC (14) Cl.** **19-02**

(52) **U.S. Cl.**
USPC **D19/90**

(58) **Field of Classification Search**
USPC D19/75-91, 99, 135; D3/206, 304, 306,
D3/310, 315; D6/675.5, 683, 683.1;
D7/631, 637-641; D9/427, 432, 611;
D14/253; D28/61, 73, 76
CPC .. B43M 99/00; B43M 99/001; B43M 99/003;
B43M 99/006; B43M 99/007; B43M
99/008; B43M 99/009; B42D 3/12; B42D
3/16; B42D 3/18; B43K 23/001; B43K
23/002; A47B 55/00; A47B 63/00
See application file for complete search history.

(56) **References Cited**

U.S. PATENT DOCUMENTS

D297,868 S * 9/1988 Sussman D28/76
D317,178 S * 5/1991 Kheng D19/78
D359,404 S * 6/1995 Svee D6/573
D367,948 S * 3/1996 Hsu D28/61

D385,112 S * 10/1997 Birnbaum D19/78
D477,636 S * 7/2003 Chen D19/85
D480,427 S * 10/2003 Chen D19/95

(Continued)

FOREIGN PATENT DOCUMENTS

CN 305229908 * 6/2019
CN 306789913 * 8/2021
CN 306828681 * 9/2021

OTHER PUBLICATIONS

Angle Bin posted by madeSmart posted date Mar. 20, 2020, © Amazon, [online], [site visited Jul. 26, 2022], Available from Internet, <https://www.amazon.com/madesmart-79210-Medium-Bin-Frost-Organizer/> (Year: 2020).*

(Continued)

Primary Examiner — Garth Rademaker

Assistant Examiner — Laura H Yu

(74) *Attorney, Agent, or Firm* — Millen, White, Zelano & Branigan, PC; Ryan Pool

(57) **CLAIM**

The ornamental design for a tiered organizer, as shown and described.

DESCRIPTION

FIG. 1 is a perspective view of the tiered organizer showing my new design.

FIG. 2 is a back view thereof.

FIG. 3 is a front view thereof.

FIG. 4 is a side view thereof.

FIG. 5 is another side view thereof.

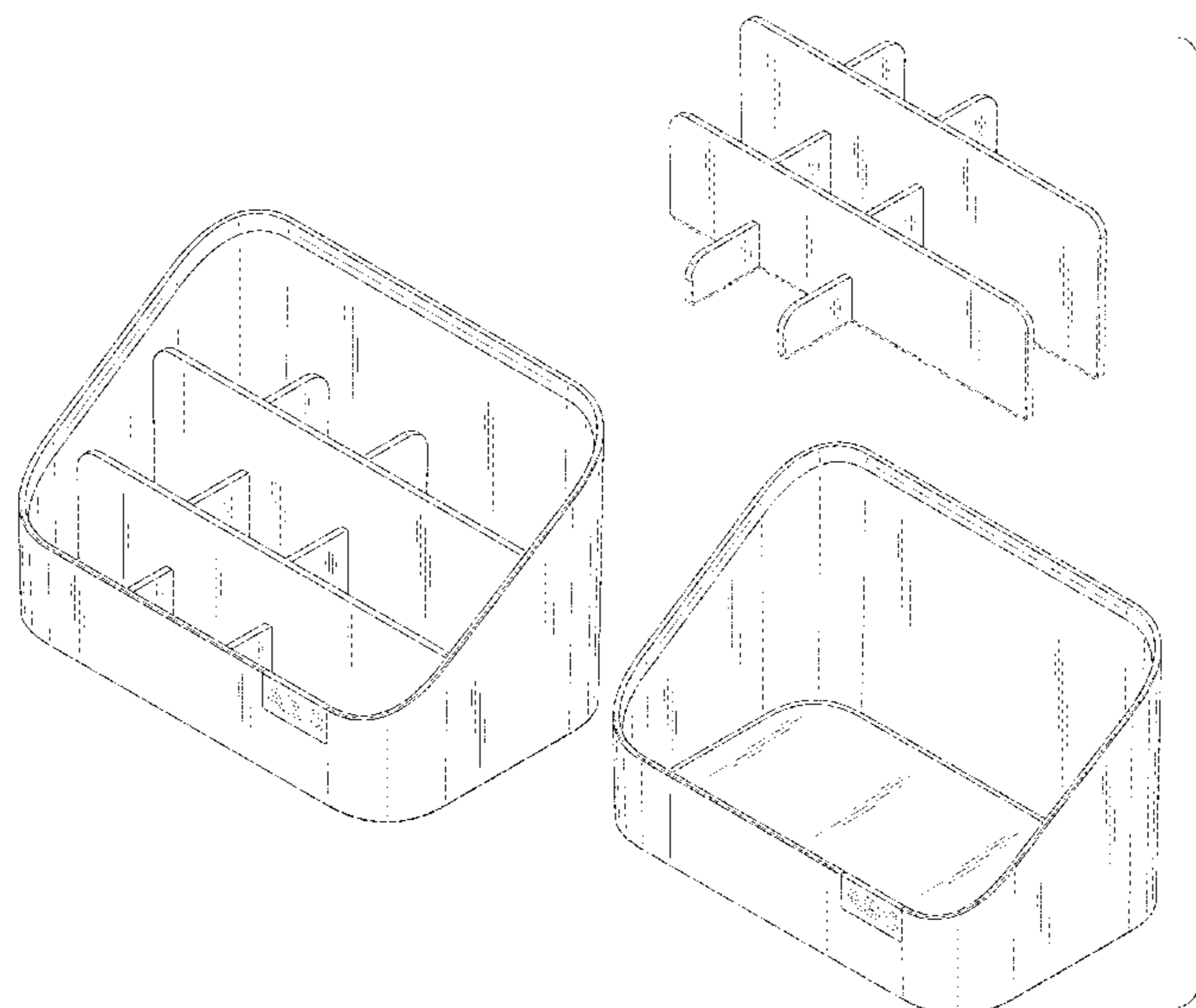
FIG. 6 is a top view thereof.

FIG. 7 is a bottom view thereof; and,

FIG. 8 is an exploded perspective view thereof.

The dash dot dash lines in the drawings illustrate the boundary of the claim and form no part thereof. All other broken lines in the drawings illustrate portions of the tiered organizer which form no part of the claimed design.

1 Claim, 8 Drawing Sheets



(56)

References Cited

U.S. PATENT DOCUMENTS

D484,666 S * 12/2003 Caya D34/27
 D495,138 S * 8/2004 O'Brien D3/304
 D502,509 S * 3/2005 DeCarlo D19/78
 D510,953 S * 10/2005 Chen D19/85
 D585,494 S * 1/2009 Yoshikawa D19/78
 D593,796 S * 6/2009 Kevan D7/400
 D634,546 S * 3/2011 Horwitz D3/320
 D661,487 S * 6/2012 Kraemer D3/304
 D674,215 S * 1/2013 McDonough D6/683.1
 D674,623 S * 1/2013 Erickson D6/683.1
 D727,423 S * 4/2015 Evans D19/77
 D765,334 S * 8/2016 Donald D32/55
 D773,816 S * 12/2016 Ghiorghie D3/310
 D780,265 S * 2/2017 Greenspon D19/90
 D799,831 S * 10/2017 Hsu D3/313
 D826,594 S * 8/2018 Joseph D6/528
 D827,329 S * 9/2018 Joseph D6/528

D851,402 S * 6/2019 Best D3/304
 D887,712 S * 6/2020 Stevens D3/313
 D895,289 S * 9/2020 Greenwood D3/304
 D932,185 S * 10/2021 Yoshikawa D3/315
 D959,144 S * 8/2022 Joseph D3/315

OTHER PUBLICATIONS

Viva Make Up Cosmetic Storage Organizer posted by Joseph Joseph posted date unknown, © Amazon, [online], [site visited Jul. 26, 2022]. Available from Internet, https://www.amazon.com/Joseph-Makeup-Cosmetic-Storage-Organizer/dp/B0986D5W4H?ref_=ast_sto_dp&th=1 (Year: 2022).*

Plastic 3 Tiered Organizer posted by iDesign posted date of review Apr. 3, 2017, © Amazon, [online], [site visited Aug. 22, 2022]. Available from Internet, <https://www.amazon.com/iDesign-BPA-Free-Plastic-3-Tier-Organizer/> (Year: 2017).*

* cited by examiner

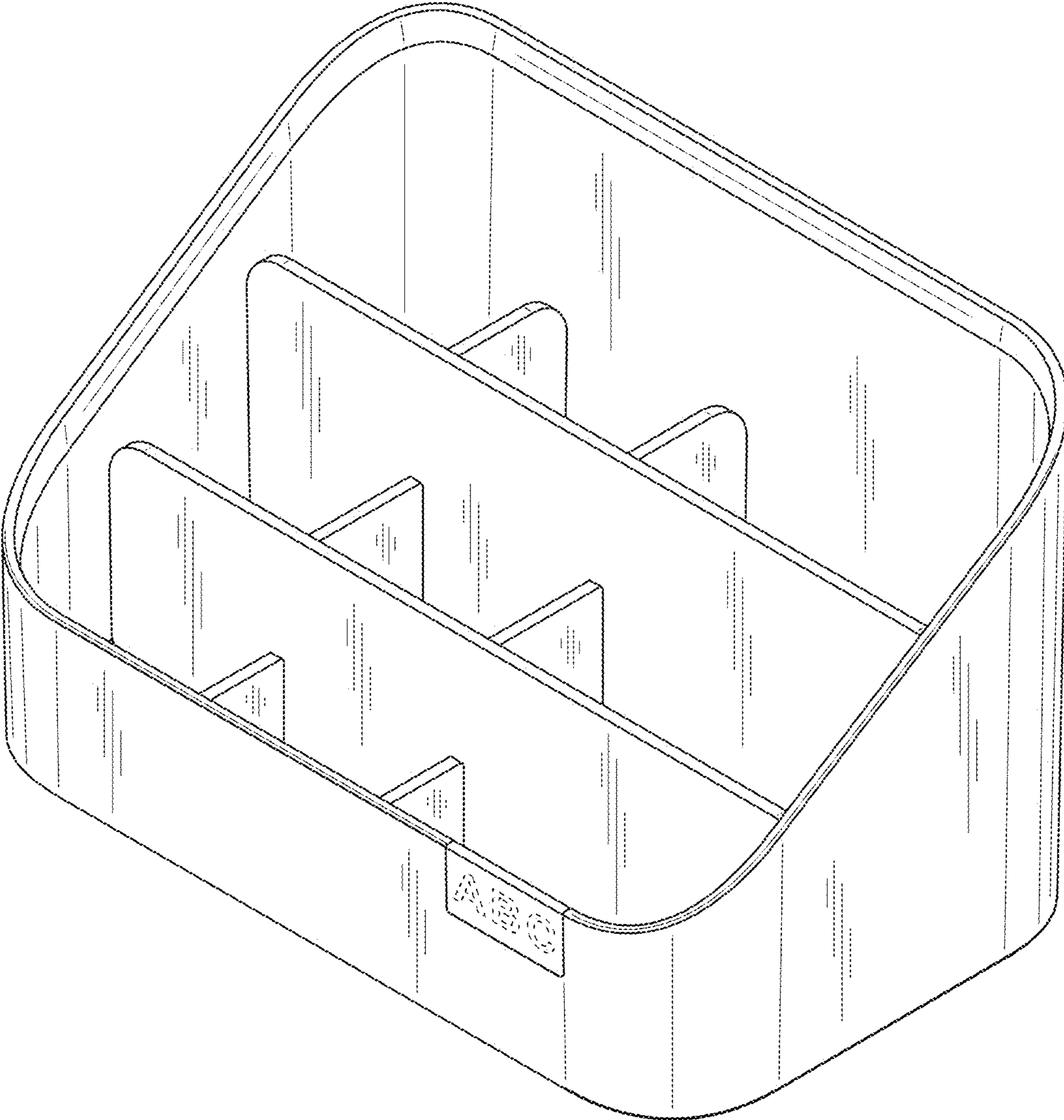


FIG. 1

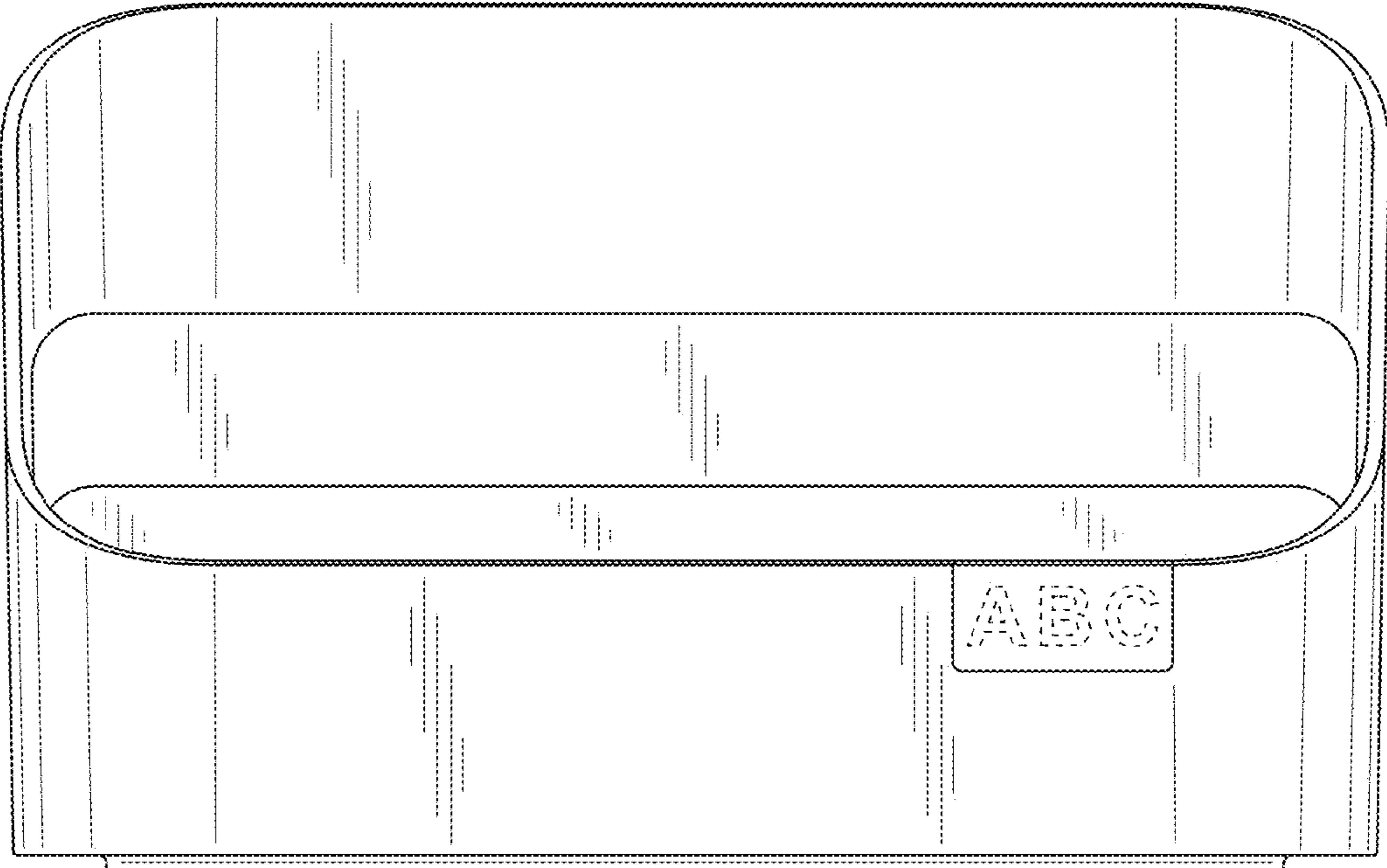


FIG. 2

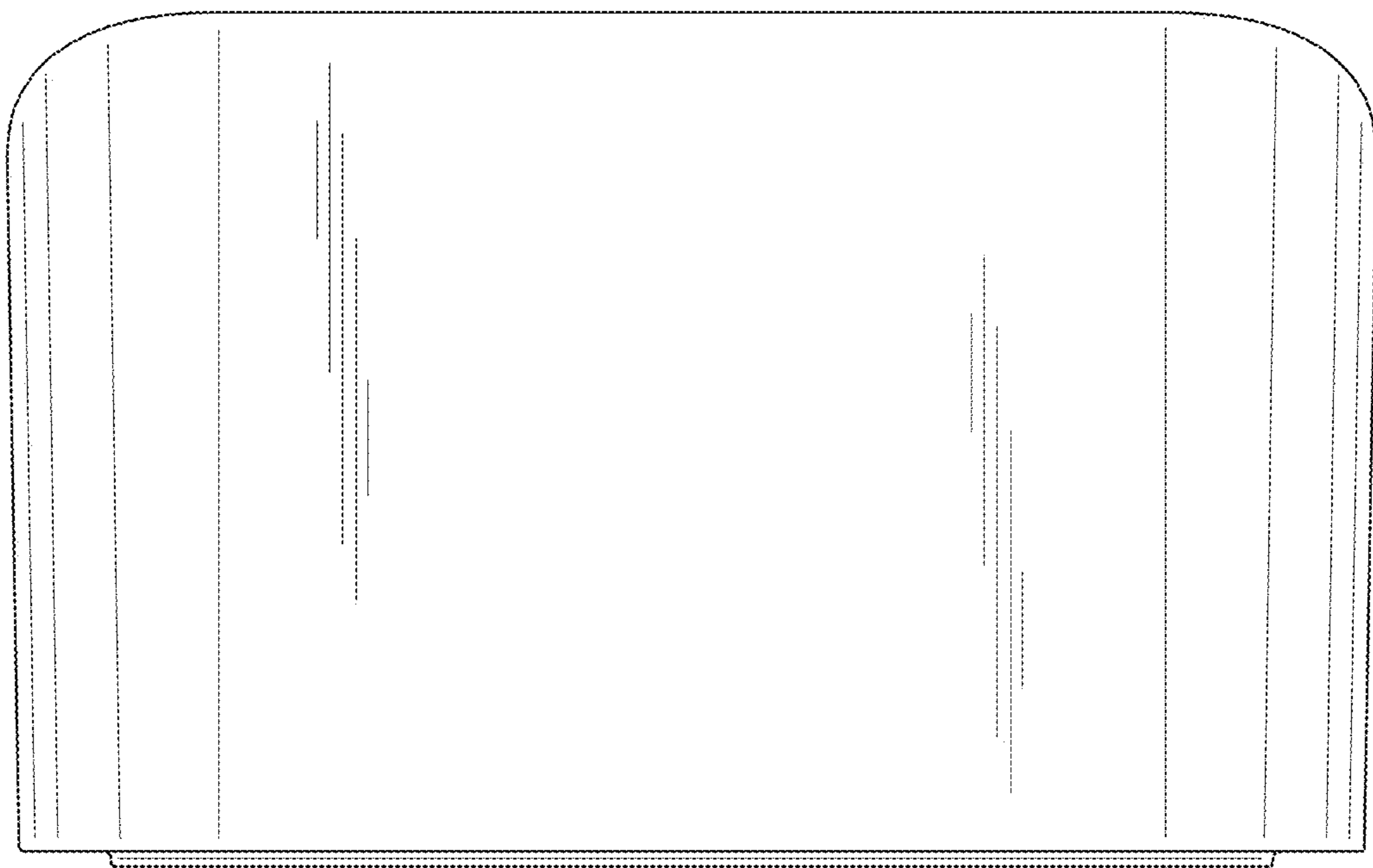


FIG. 3

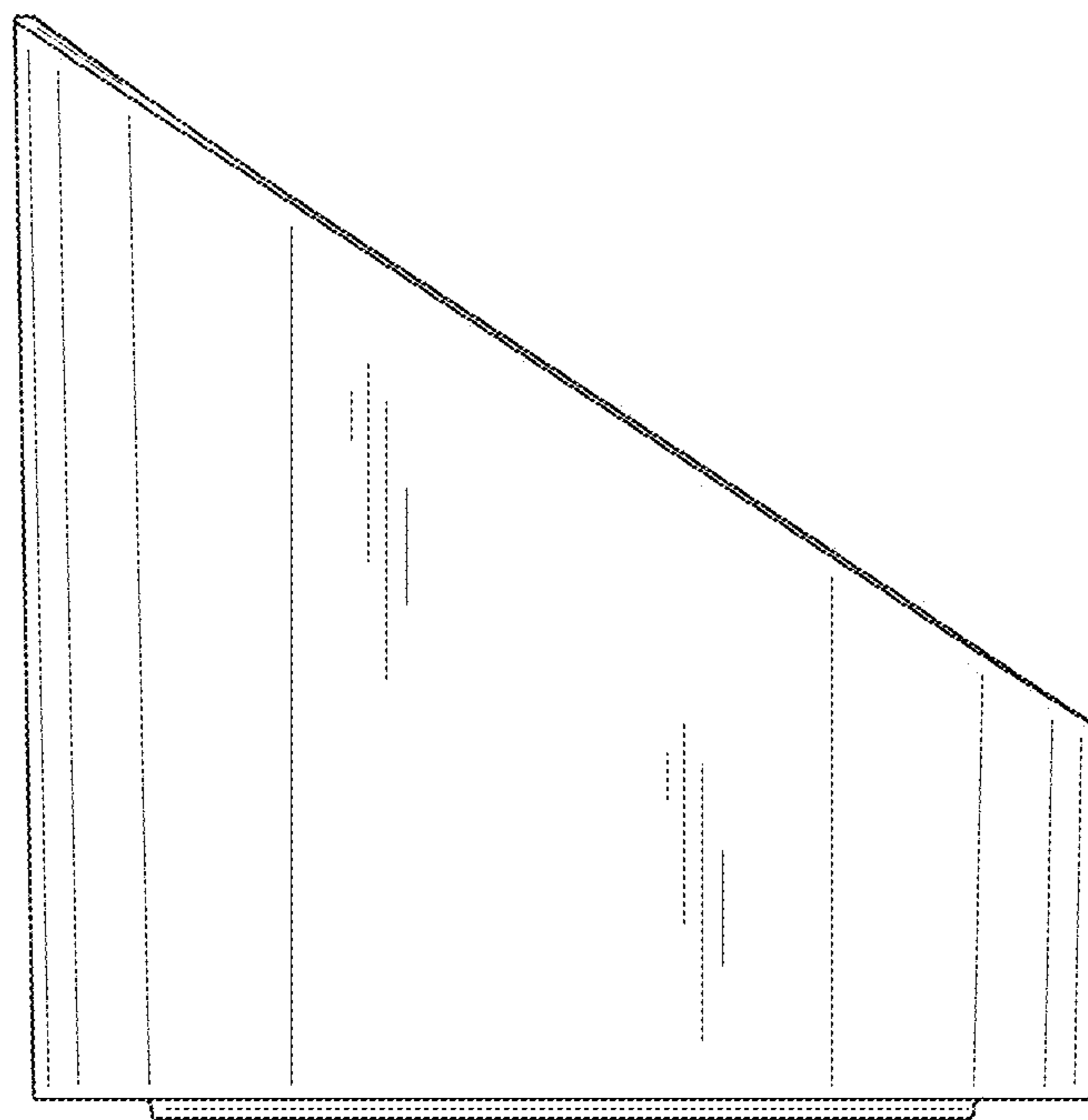


FIG. 4

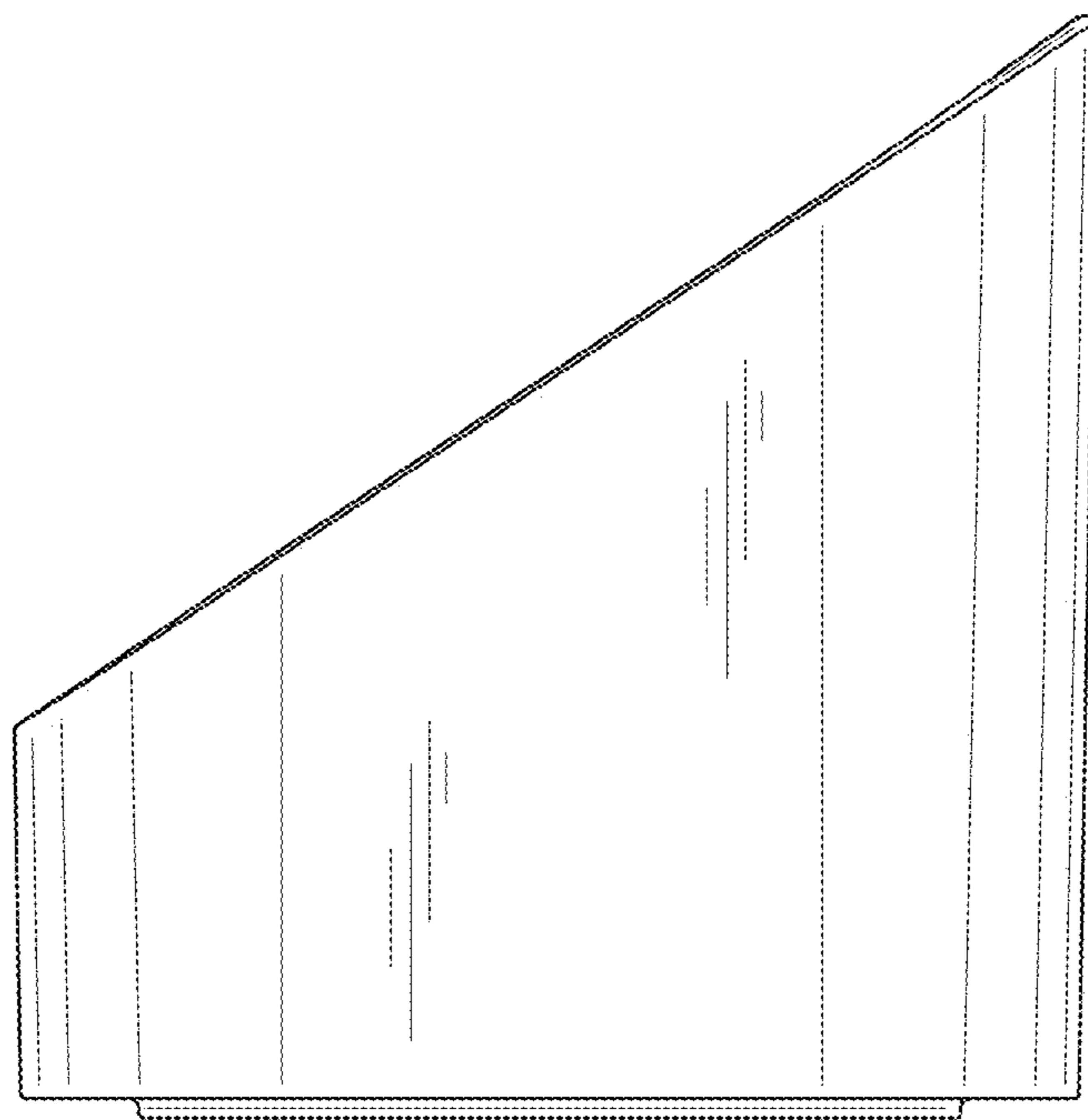


FIG. 5

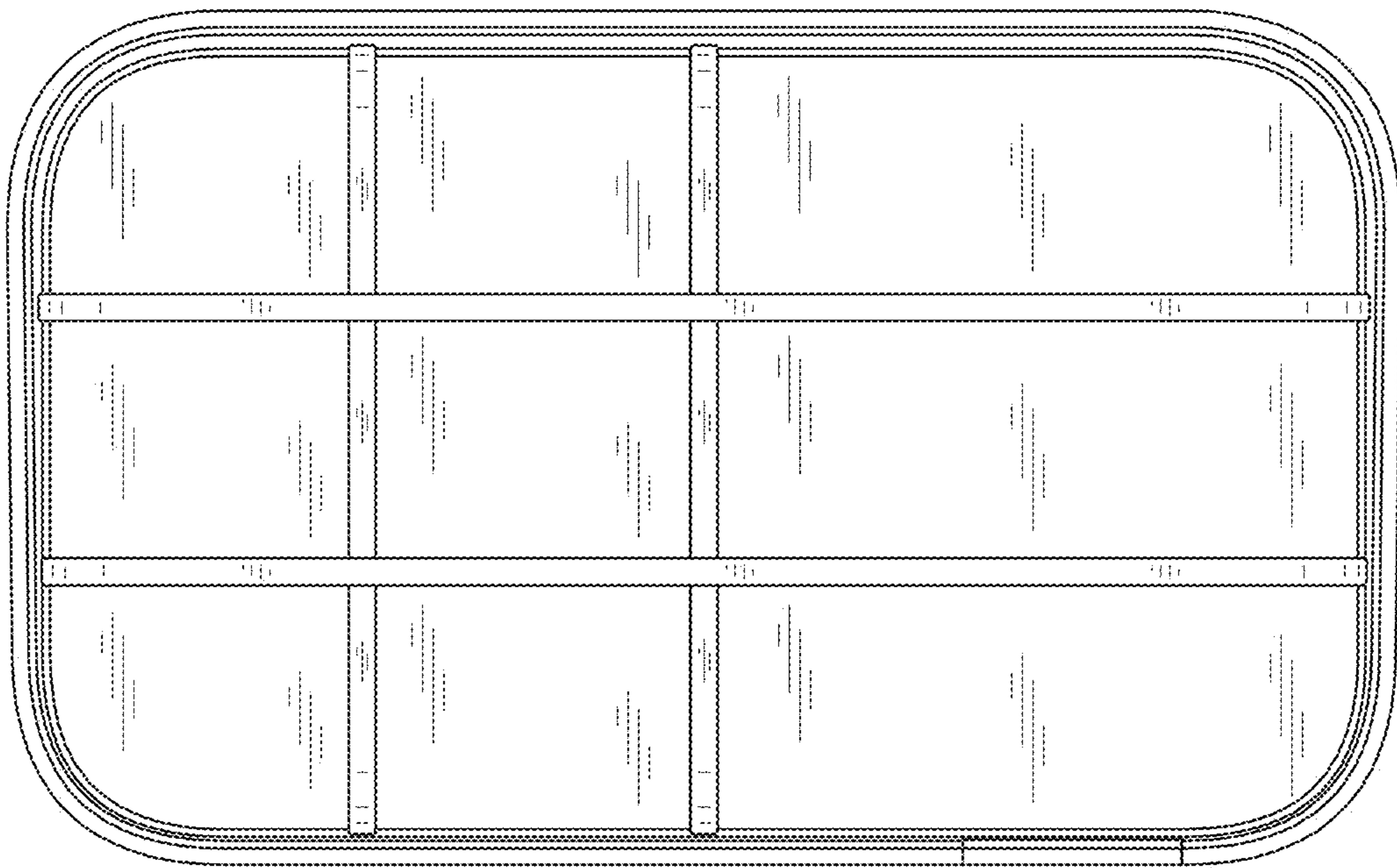


FIG. 6

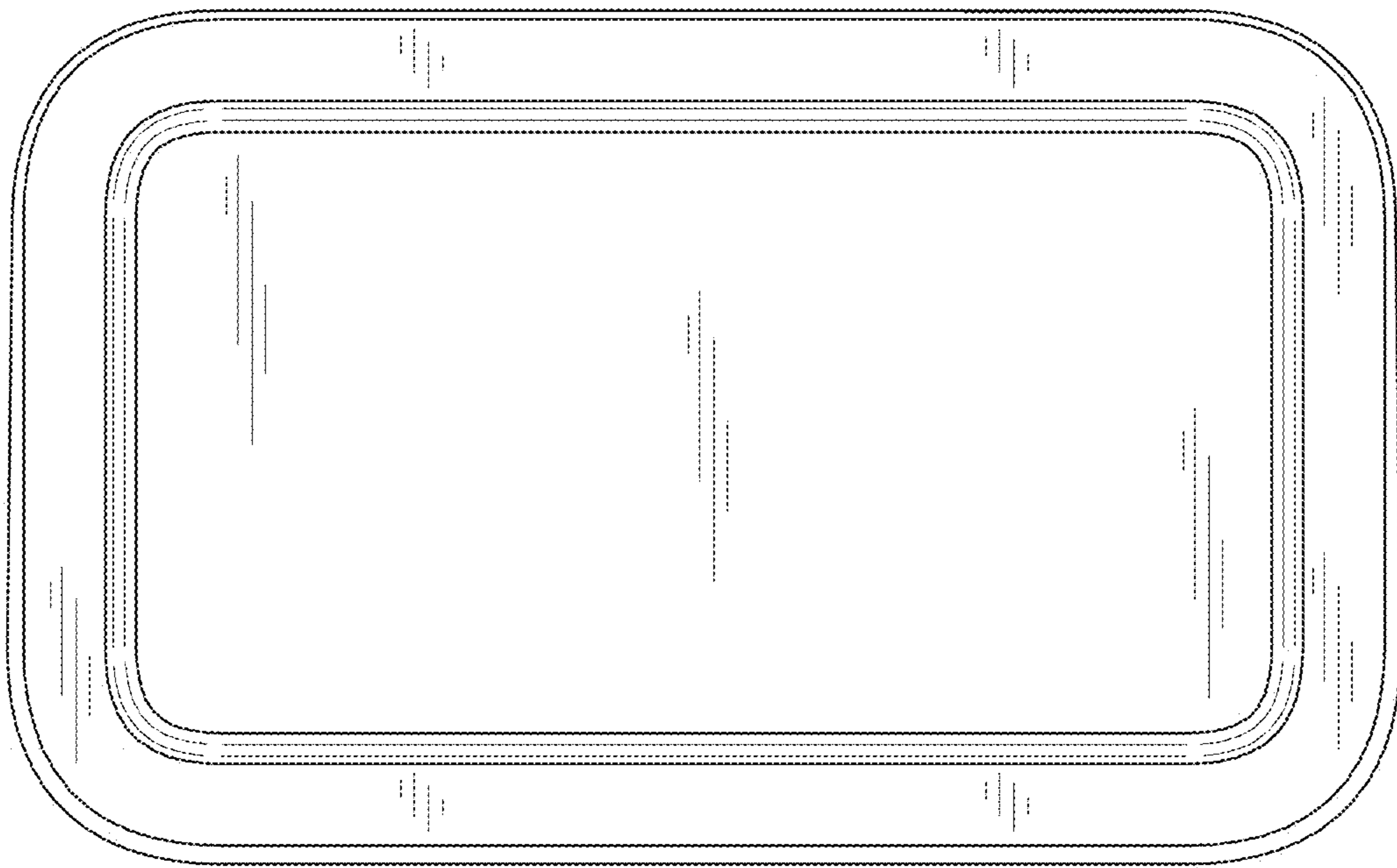


FIG. 7

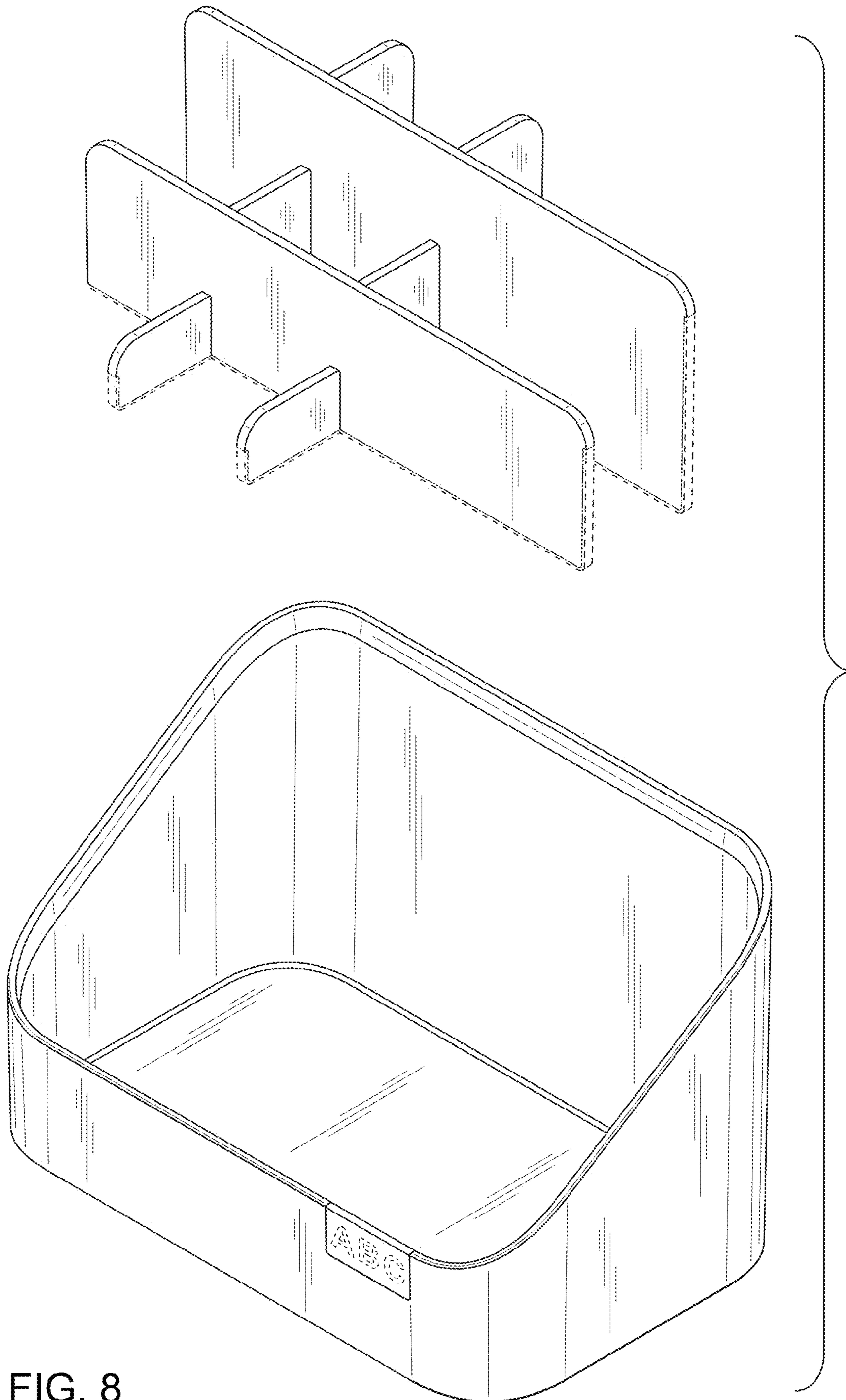


FIG. 8