



US00D986321S

(12) **United States Design Patent** (10) **Patent No.:** **US D986,321 S**
Ebner (45) **Date of Patent:** **** May 16, 2023**

(54) **LAPAROSCOPY SIMULATOR**

FOREIGN PATENT DOCUMENTS

(71) Applicant: **Erbe Elektromedizin GmbH**,
Tübingen (DE)

EM 002124230-0002 * 10/2012
EM 006387551-0007 * 5/2019

(72) Inventor: **Martin Ebner**, Hechingen (DE)

OTHER PUBLICATIONS

(73) Assignee: **Erbe Elektromedizin GmbH**,
Tübingen (DE)

Large type Laparoscopic Trainer, MadeinChina.com, Tineye, date found Jul. 7, 2016, date retrieved Jun. 23, 2022—U.S. Appl. No. 29/720,007—<https://tineye.com/search/340e381b6739f2233be4ce3b4440ad1e3fc0465b?sort=score&order=desc&page=1> (Year: 2016).*

(**) Term: **15 Years**

(21) Appl. No.: **29/720,007**

Laparoscopic Operation Simulator, alibaba.com, Tineye, date found Jun. 30, 2016, date retrieved Jun. 23, 2022—U.S. Appl. No. 29/720,007—<https://tineye.com/search/17c82245741375c0e3e4fbb4c0e25f6a73d7fe43?sort=score&order=desc&page=1> (Year: 2016).*

(22) Filed: **Jan. 9, 2020**

(30) **Foreign Application Priority Data**

Jul. 10, 2019 (EM) 006619748

* cited by examiner

(51) **LOC (14) Cl.** **19-07**

Primary Examiner — Nicole C Shiflet

(52) **U.S. Cl.**
USPC **D19/62; D24/232**

Assistant Examiner — Danielle Nichole Bowly

(58) **Field of Classification Search**
USPC D19/62, 63; D24/232; D6/671.1
CPC G09B 23/285; G09B 23/303; G09B 9/00
See application file for complete search history.

(74) *Attorney, Agent, or Firm* — Sunstein LLP

(56) **References Cited**

(57) **CLAIM**

The ornamental design for a laparoscopy simulator, as shown and described.

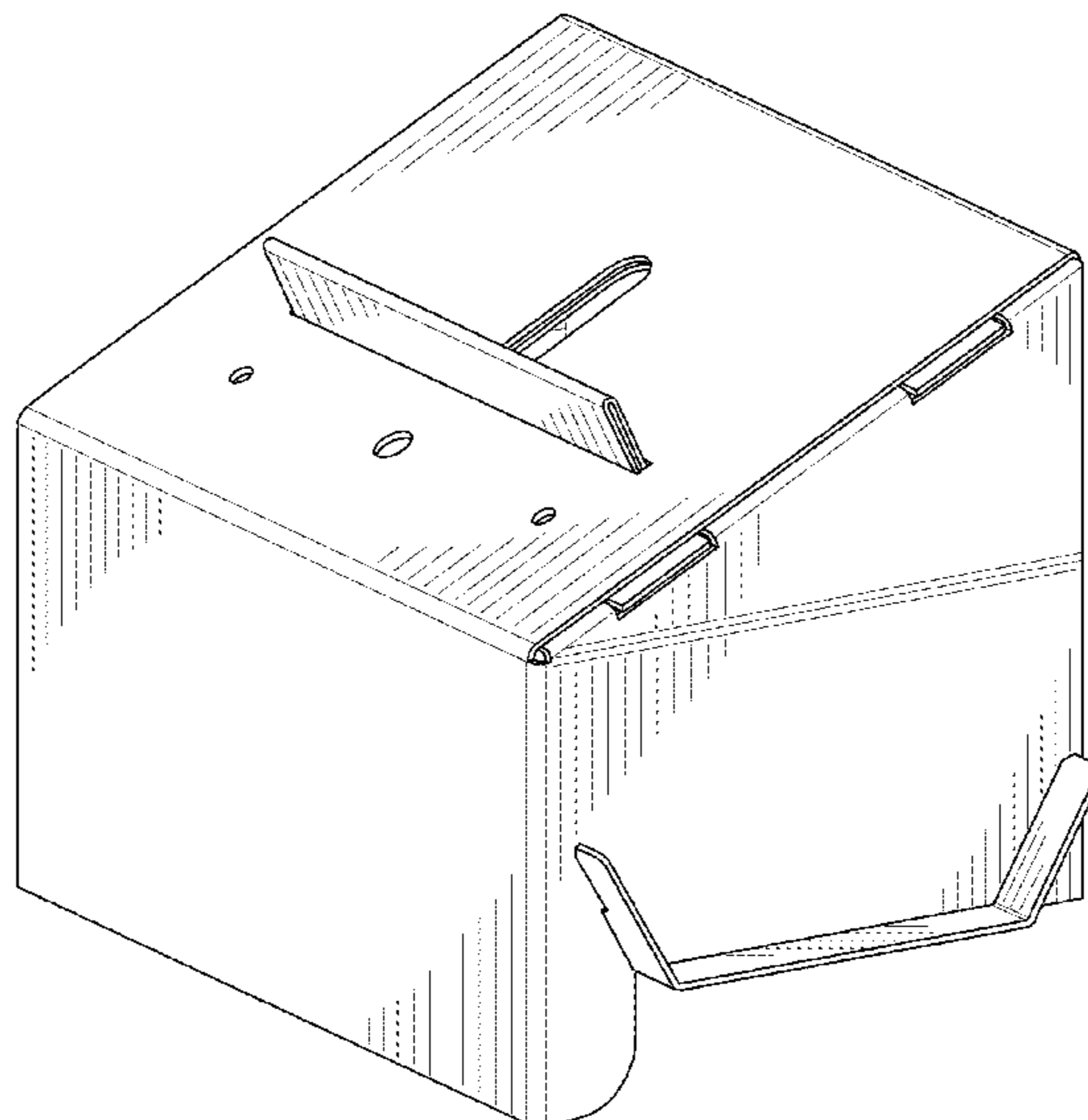
U.S. PATENT DOCUMENTS

DESCRIPTION

D205,970 S	*	10/1966	Leifield	D9/414
D242,793 S	*	12/1976	Kane	D19/62
D261,279 S	*	10/1981	Barrett	D19/62
D275,298 S	*	8/1984	Wimmershoff	D19/62
D518,526 S	*	4/2006	Benn	D19/90
D542,647 S	*	5/2007	Walter	D9/414
D545,378 S	*	6/2007	Cropp	D21/325
D571,401 S	*	6/2008	Greene	D19/62
D679,094 S	*	4/2013	Scott	D3/307
D764,279 S	*	8/2016	Sevšek	D9/431
D828,157 S	*	9/2018	Paradis	D9/432
D868,997 S	*	12/2019	Eubanks	D24/232
D899,245 S	*	10/2020	Mori	D9/433
D913,523 S	*	3/2021	Gardner	D24/232

FIG. 1 is a front perspective view of the laparoscopy simulator;
FIG. 2 is a front view thereof;
FIG. 3 is a rear view thereof;
FIG. 4 is a right side view thereof;
FIG. 5 is a left side view thereof;
FIG. 6 is a top view thereof; and
FIG. 7 is a bottom view thereof; and,
FIG. 8 is a rear perspective view thereof.

1 Claim, 8 Drawing Sheets



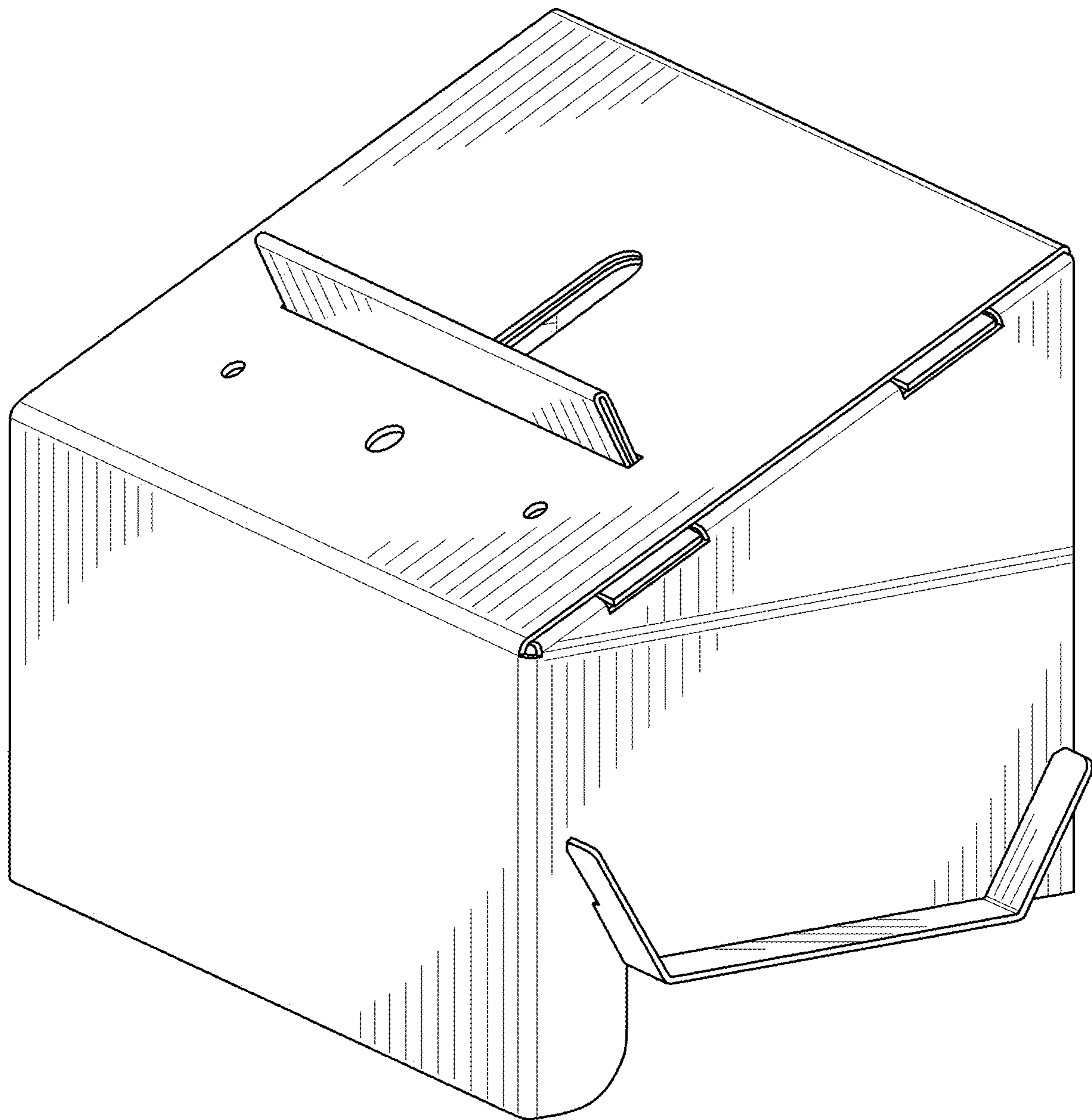


FIG. 1

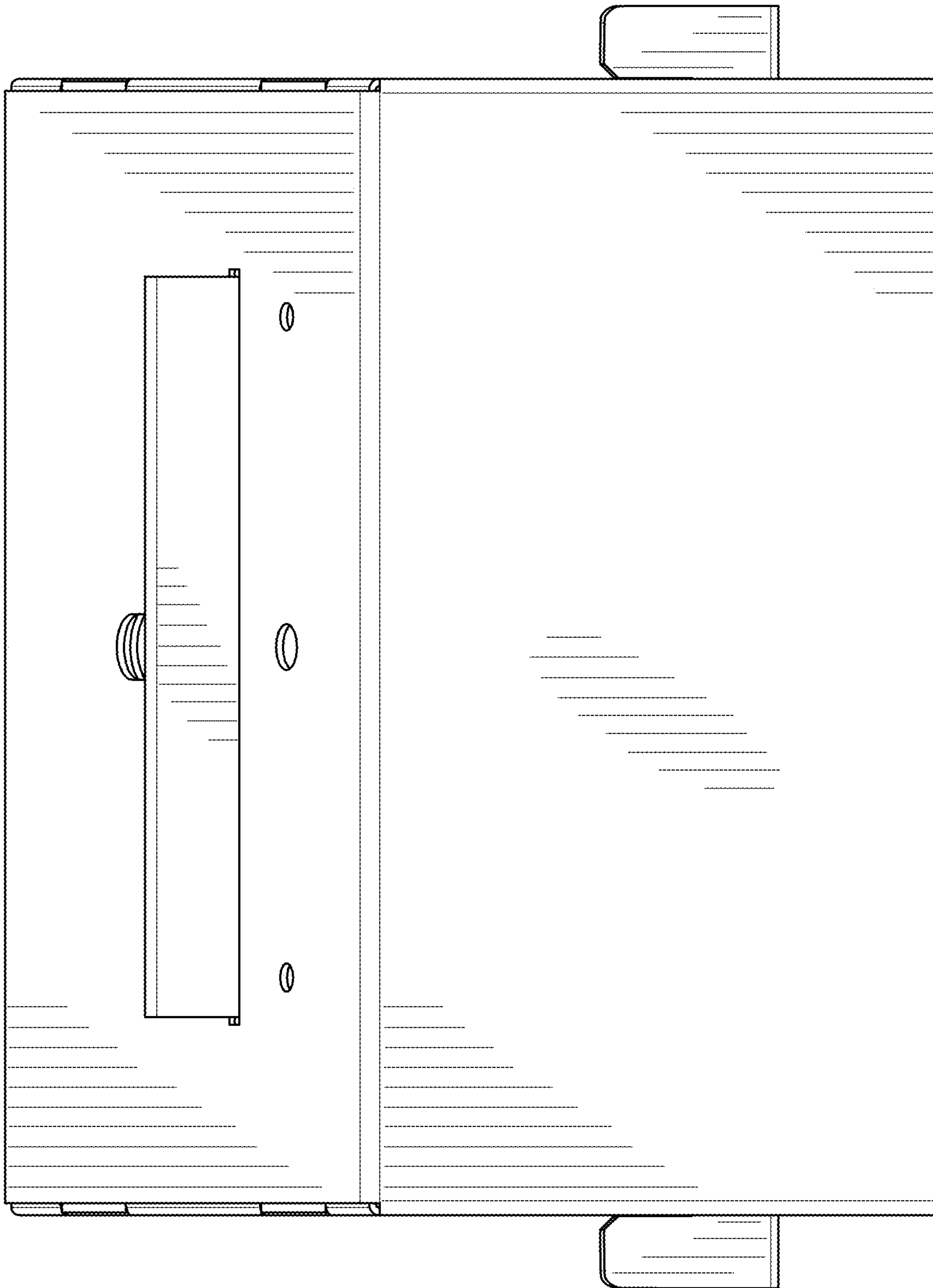


FIG. 2

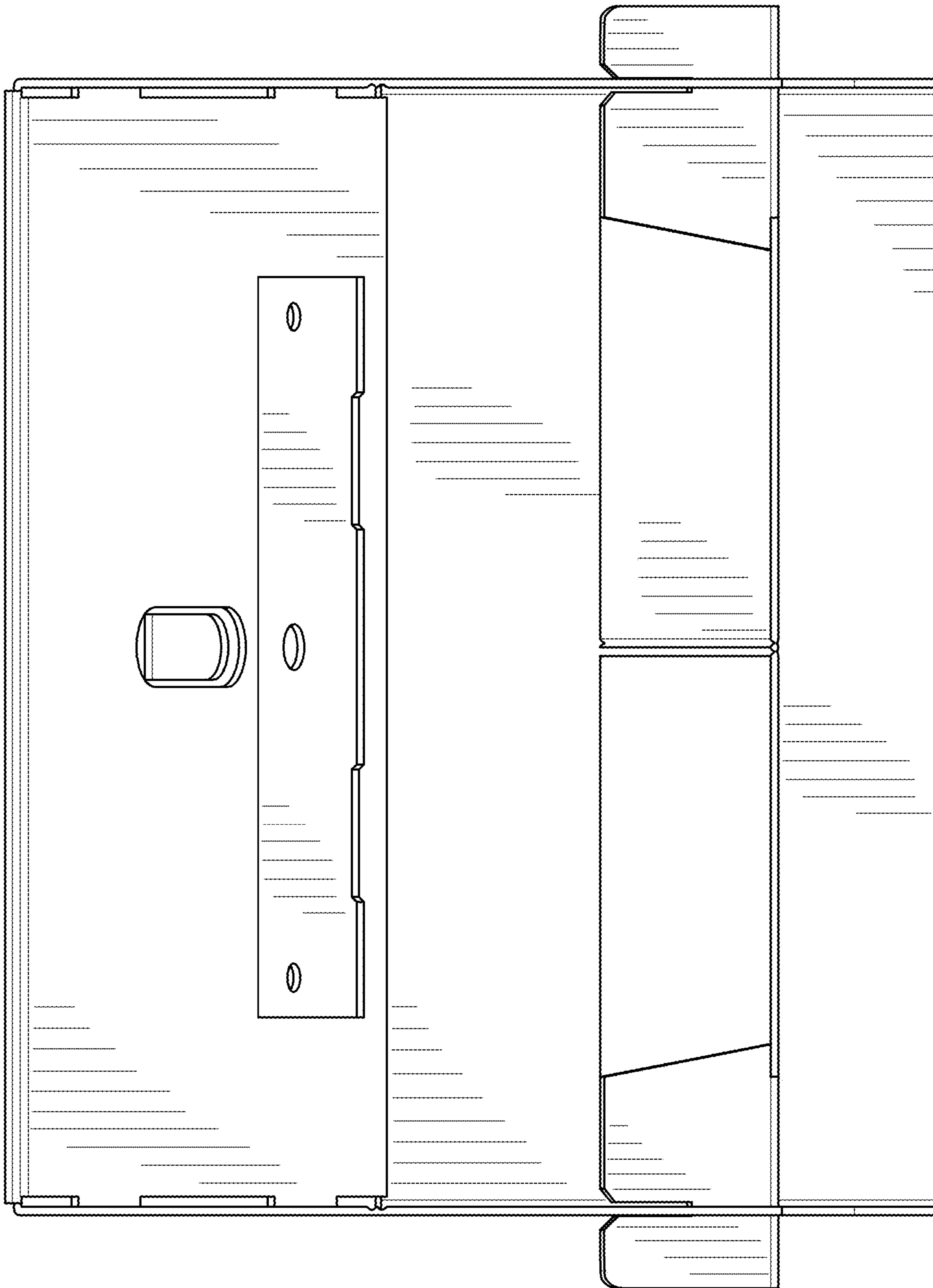


FIG. 3

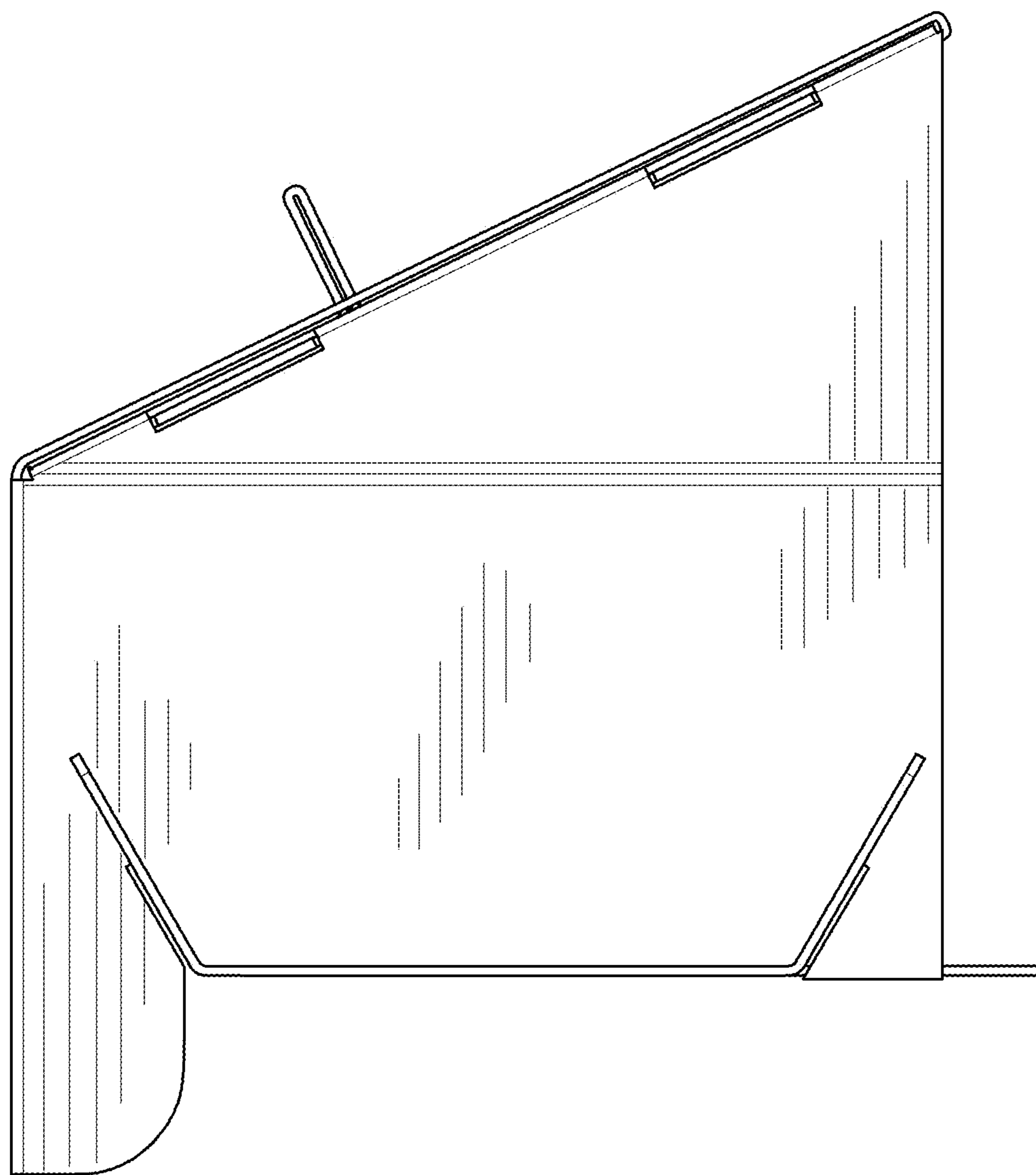


FIG. 4

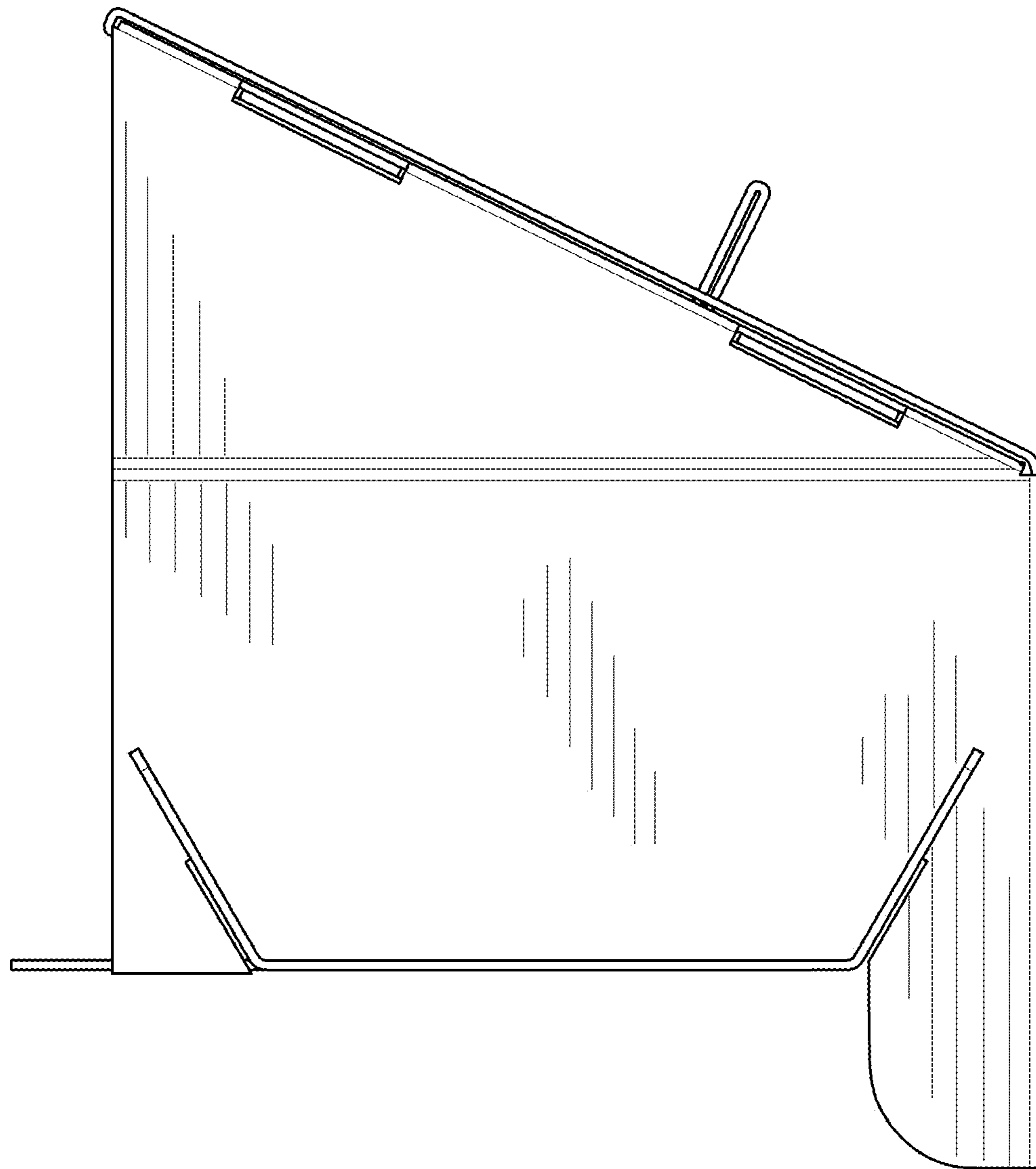


FIG. 5

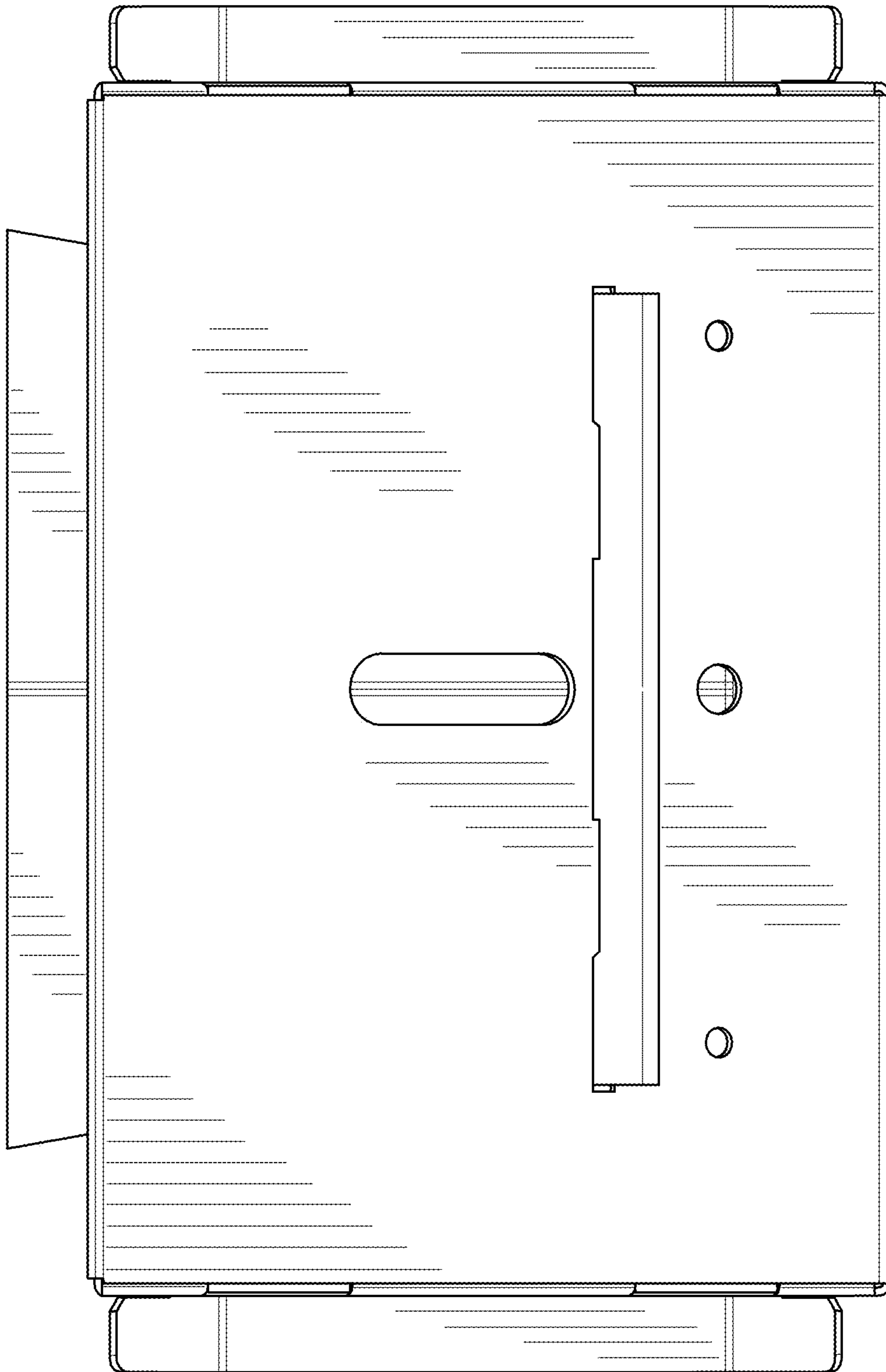


FIG. 6

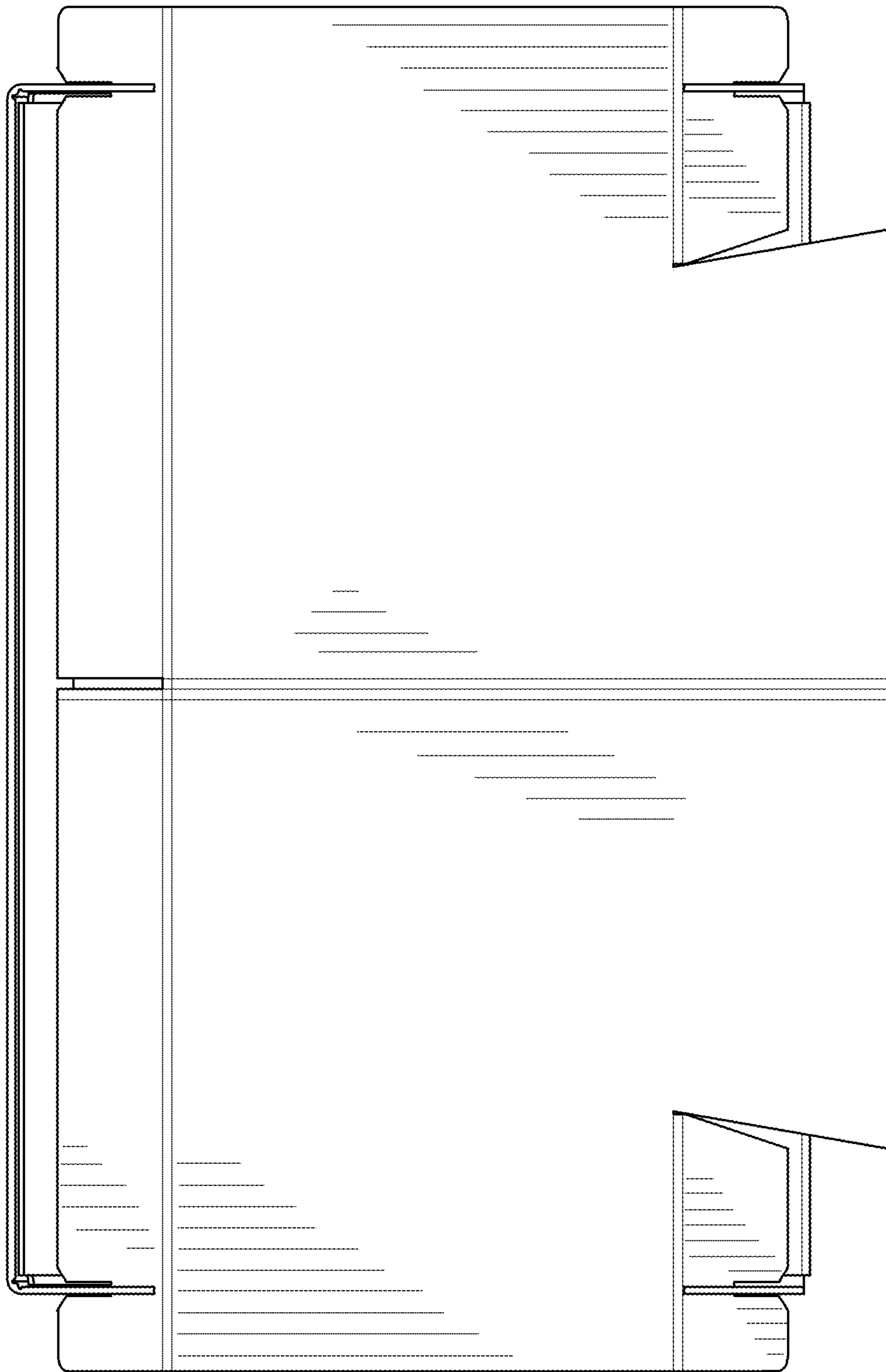


FIG. 7

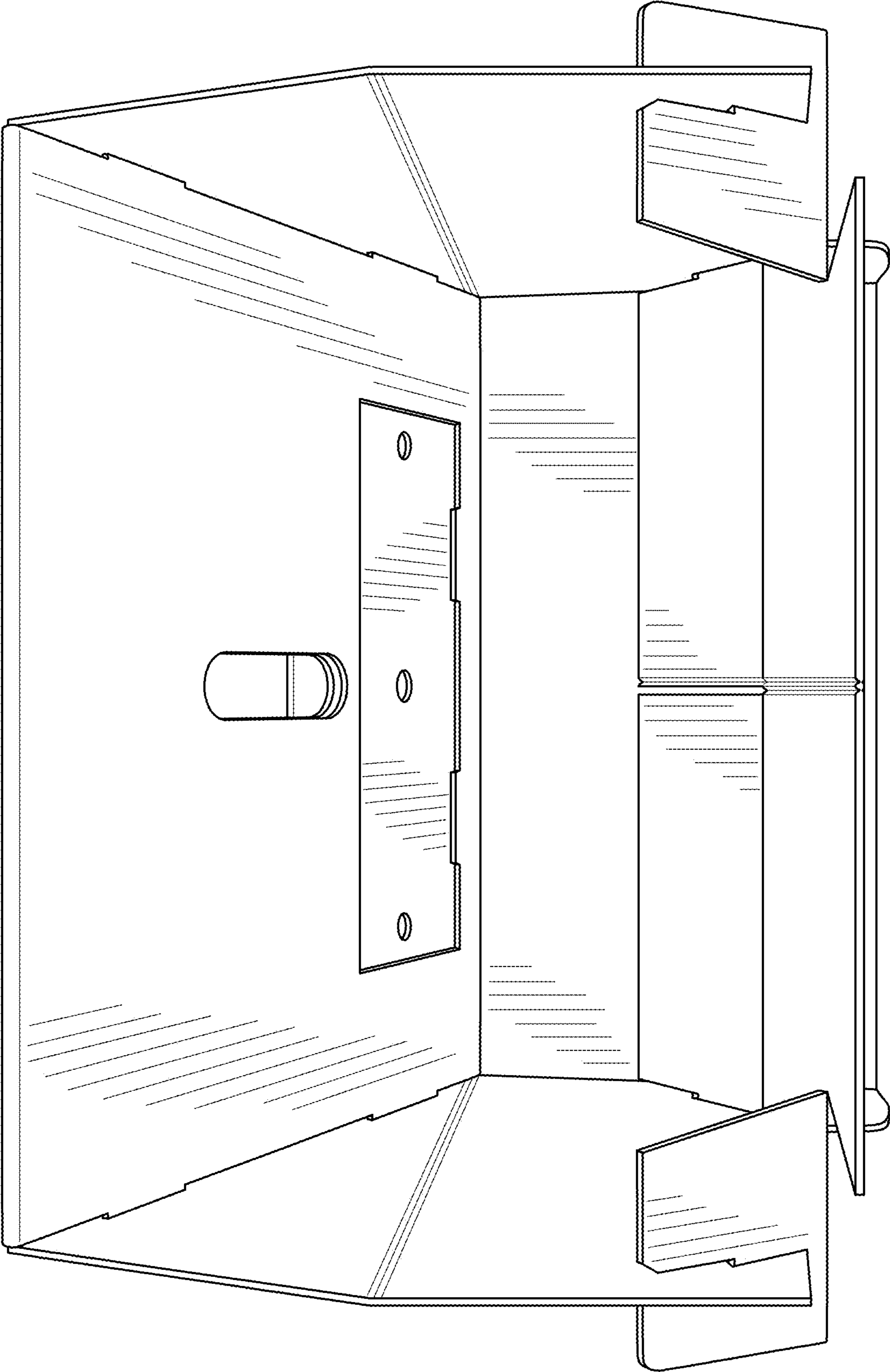


FIG. 8