



US00D986317S

(12) **United States Design Patent** (10) **Patent No.:** **US D986,317 S**
Korbuly et al. (45) **Date of Patent:** **** May 16, 2023**

(54) **CUTTING MACHINE TOOL CLAMP**

FOREIGN PATENT DOCUMENTS

(71) Applicant: **Cricut, Inc.**, South Jordan, UT (US)

CN 3239132 * 5/2002

(72) Inventors: **Marc Korbuly**, Salt Lake City, UT (US); **Kay Beauwen Freckleton**, Draper, UT (US); **Thomas Crisp**, Cottonwood Heights, UT (US); **Grayson Stopp**, San Francisco, CA (US)

CN 306423657 * 3/2021

(Continued)

(73) Assignee: **Cricut, Inc.**, South Jordan, UT (US)

OTHER PUBLICATIONS

(**) Term: **15 Years**

YouTube. Link: <https://www.youtube.com/watch?v=eacwTYG2ewg>. May 22, 2021. Cricut Maker 3 Roll Holder and Cutting. (Year: 2020).*

(21) Appl. No.: **29/720,306**

(Continued)

(22) Filed: **Jan. 10, 2020**

Primary Examiner — Lauren D McVey

(51) **LOC (14) Cl.** **18-04**

(52) **U.S. Cl.**
USPC **D18/34.3**

(58) **Field of Classification Search**

(57) **CLAIM**

USPC D18/34.1, 34.2, 34.3, 34.4, 34.5, 34.6, D18/34.7, 34.8, 34.9, 36, 50, 53, 54; D15/123, 127, 128, 133

The ornamental design for a cutting machine tool clamp, as shown and described.

CPC B26D 1/045; B26D 1/065; B26D 1/08; B26D 1/085; B26D 1/10; B26D 1/105; B26D 1/125; B26D 1/147; B26D 1/1475; B26D 1/15; B26D 1/151; B26D 1/153; B26D 1/1535; B26D 1/185; B26D 1/305; B26D 1/34; B26D 1/345; B26D 1/36; B26D 1/365; B26D 1/38; B26D 1/385; B26D 1/56; B26D 1/565; B26D 1/58; B26D 1/585; B26D 5/083; B26D 7/015; B26D 7/025; B26D 7/22; B26D 1/0006; B26D 5/16; B26D 7/2614; B23D 35/008; Y10T 83/7763; Y10T 83/8822; Y10T 83/885; Y10T 83/8851; Y10T 83/7507; Y10T

DESCRIPTION

FIG. 1 is a front, right, top isometric view of an embodiment of a cutting machine tool clamp shown in an environment; FIG. 2 is a front, right, top isometric view of the cutting machine tool clamp with environment omitted in order to show aspects of the design not otherwise apparent; FIG. 3 is a front, left, top isometric view thereof; FIG. 4 is a front elevation view thereof; FIG. 5 is a left elevation view thereof; FIG. 6 is a right elevation view thereof; and, FIG. 7 is a top plan view thereof.

(Continued)

The broken dash lines shown in the drawings indicate environmental subject matter and form no part of the claimed design.

The broken dash-dot-dash lines shown in the drawings indicate boundaries of the claimed design and form no part of the claimed design.

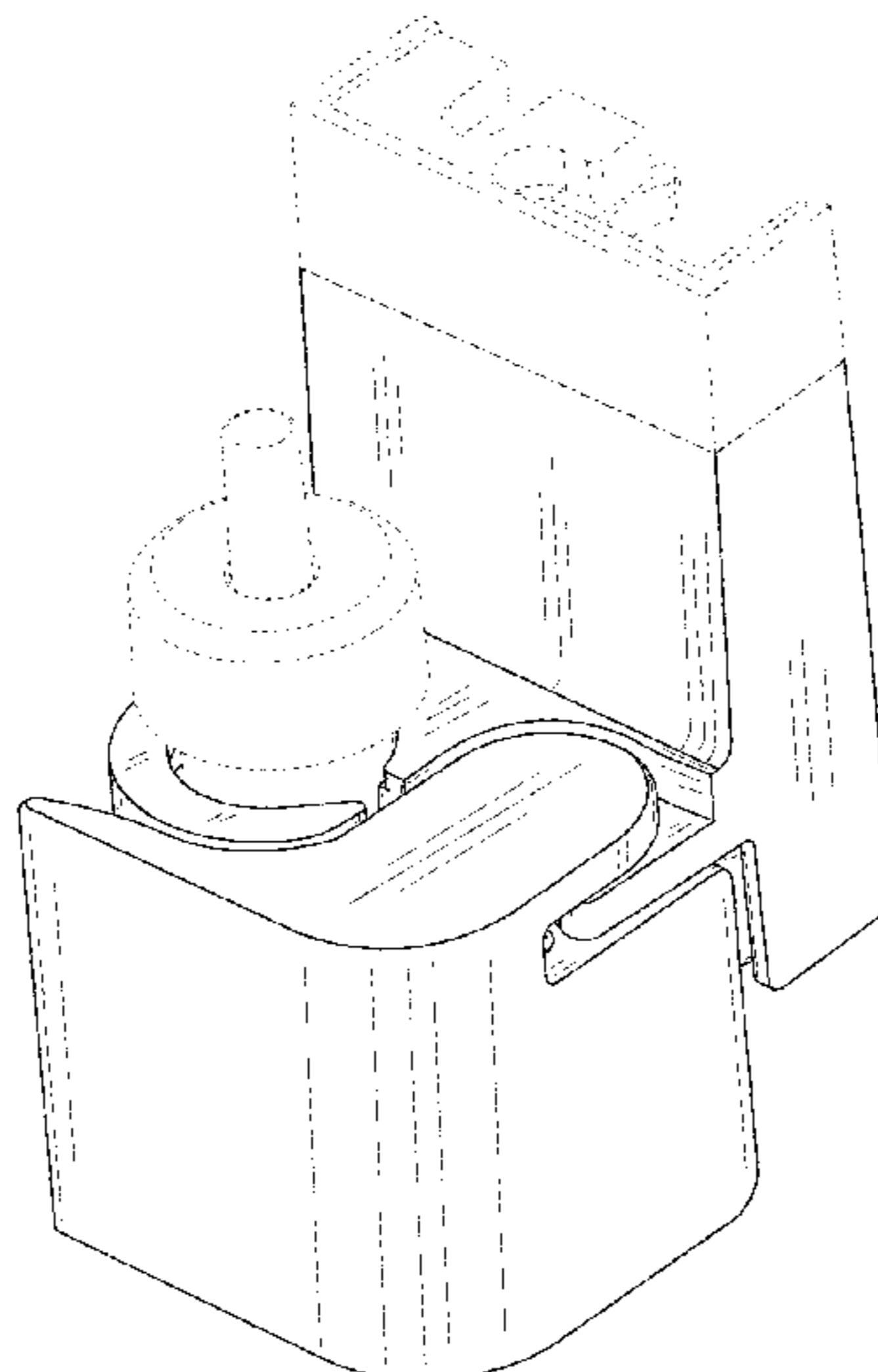
(56) **References Cited**

U.S. PATENT DOCUMENTS

D533,897 S * 12/2006 Workman D18/34.3
D619,629 S * 7/2010 Sindors D15/127

(Continued)

1 Claim, 7 Drawing Sheets



(58) **Field of Classification Search**

CPC 83/8874; Y10T 83/8814; Y10T 83/9493;
Y10T 83/7533; Y10T 83/8821; Y10T
83/828; Y10T 83/872; Y10T 83/8841;
Y10S 83/955

See application file for complete search history.

(56) **References Cited**

U.S. PATENT DOCUMENTS

D654,101 S * 2/2012 Dale D15/127
D721,563 S * 1/2015 Zagula D8/98
2004/0020171 A1* 2/2004 Biba B29C 66/652
53/476
2016/0026168 A1* 1/2016 Crystal B26D 7/2628
700/114
2016/0185139 A1* 6/2016 Ishida B26D 5/08
83/563
2017/0259450 A1* 9/2017 Oka B26F 1/3813
2021/0379911 A1* 12/2021 Ruiz Martinez B26D 1/185
2022/0176718 A1* 6/2022 Iijima B26D 1/305

FOREIGN PATENT DOCUMENTS

EP 2623278 A1 * 8/2013 B26D 3/14
KR 300760645.0000 * 9/2014
WO WO-2006133378 A2 * 12/2006 B23B 27/1662
WO WO-2021119449 A1 * 6/2021 B26D 1/60

OTHER PUBLICATIONS

YouTube. Link: <https://www.youtube.com/watch?v=Okce86GtSKI>.
Nov. 18, 2020. Why Cricut Joy™? (Year: 2020).*

* cited by examiner

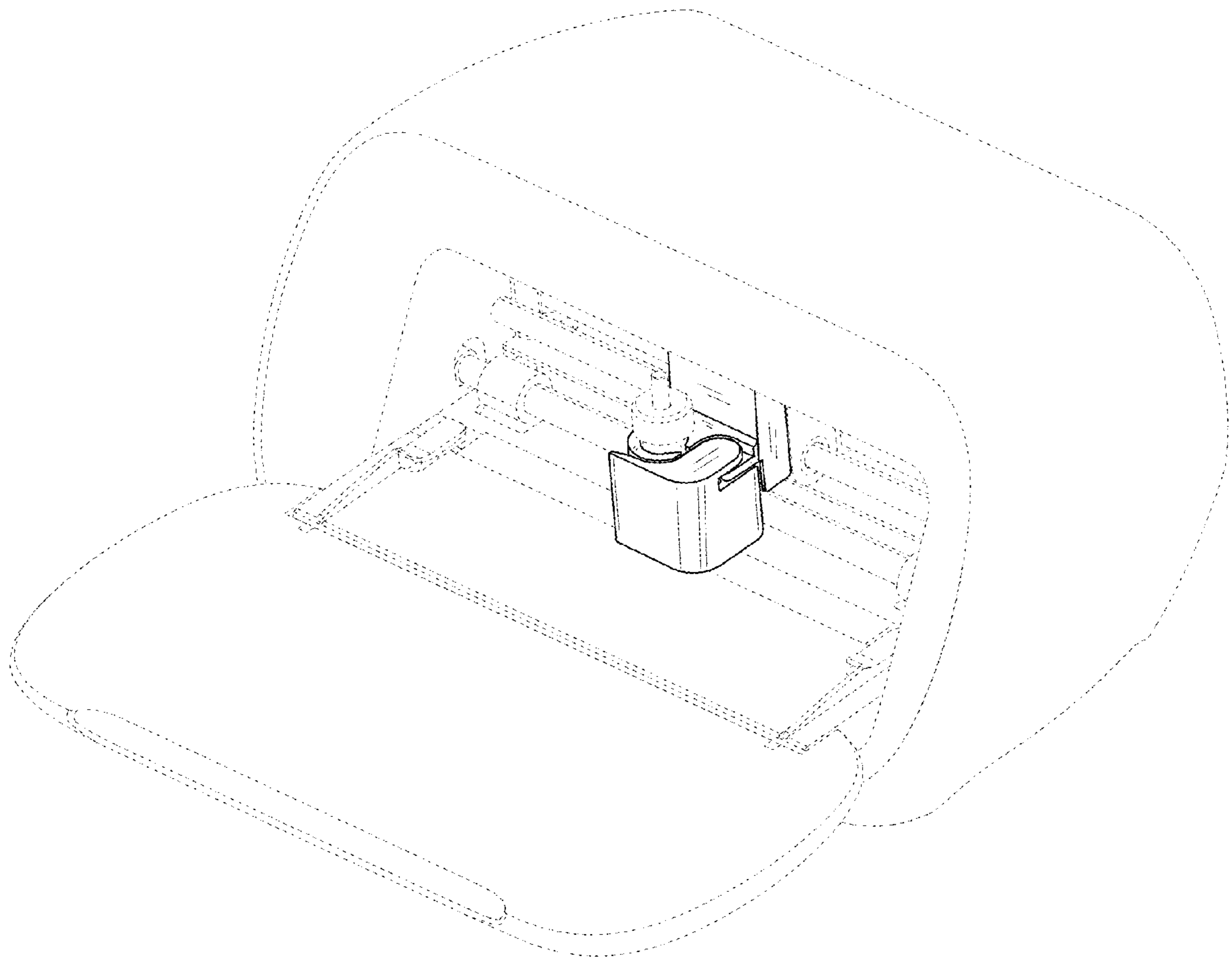


FIG. 1

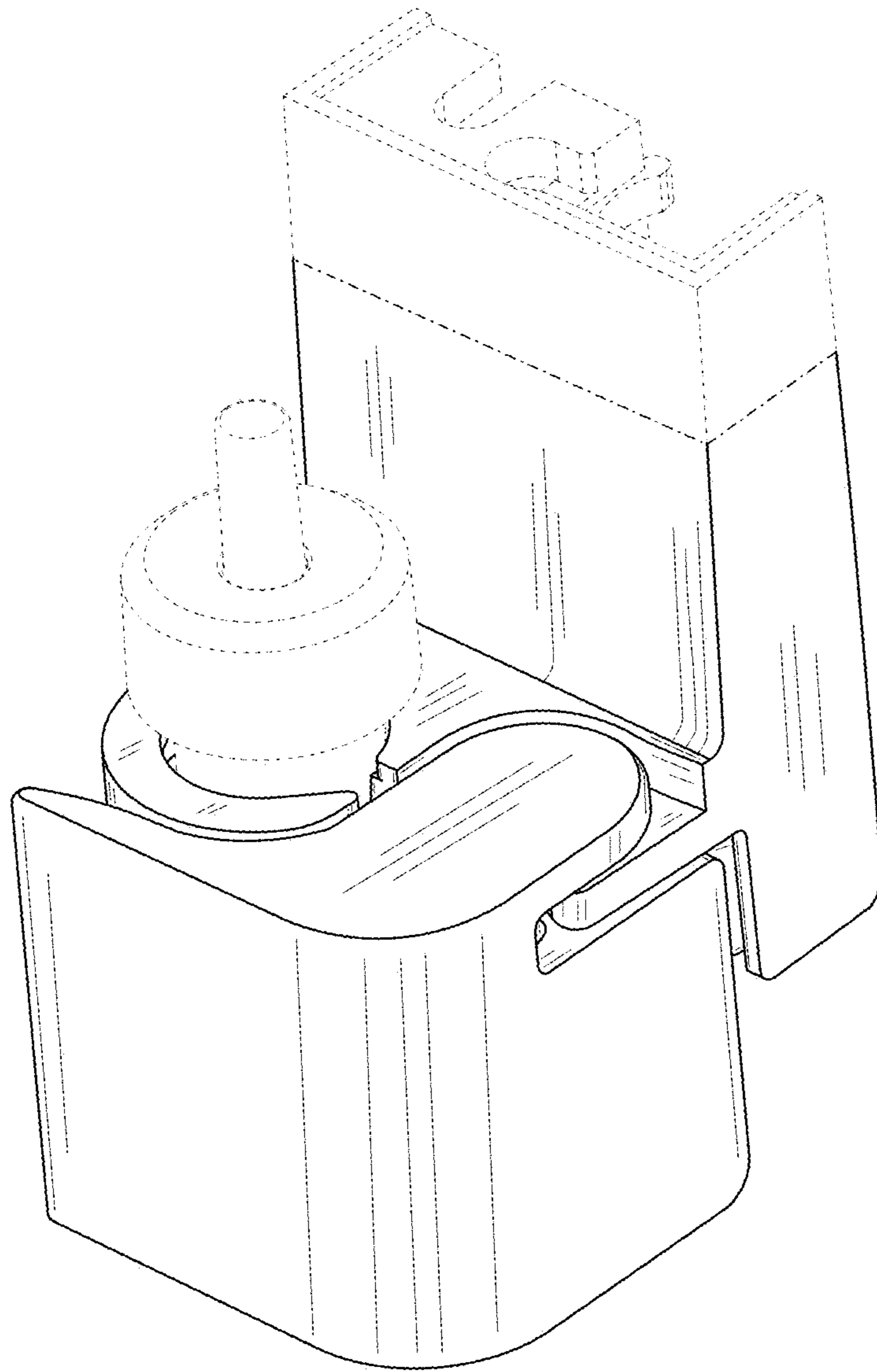


FIG. 2

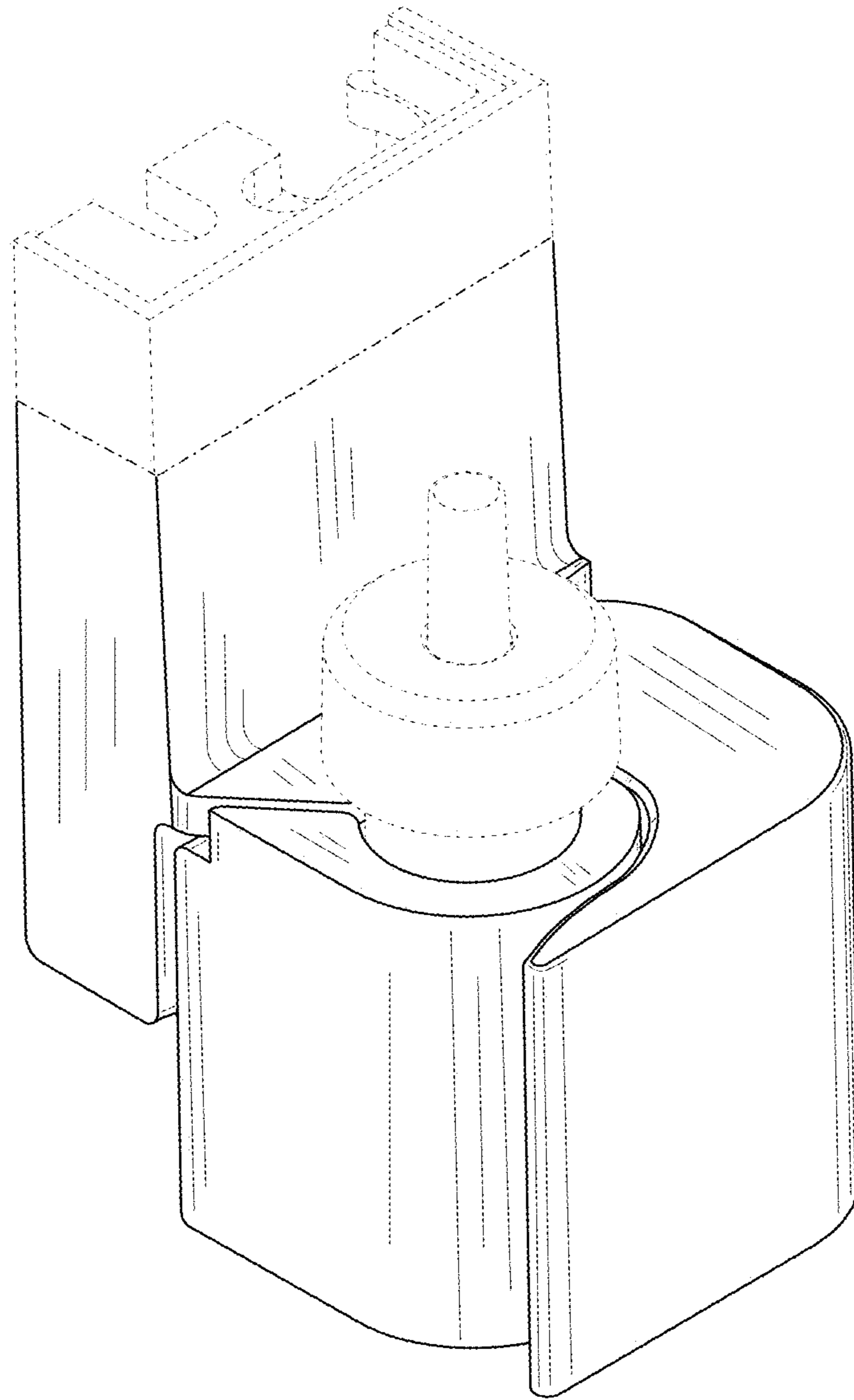


FIG. 3

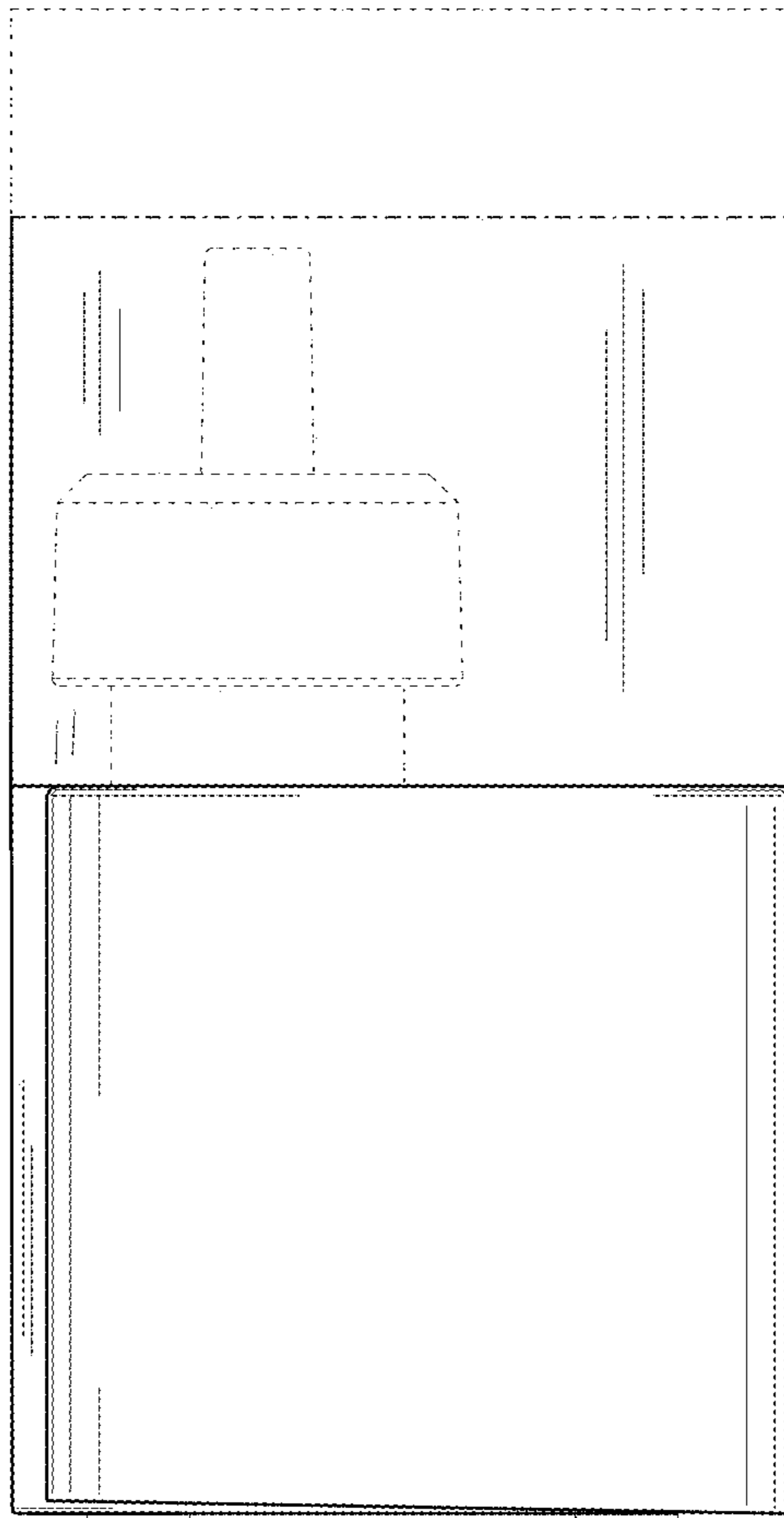


FIG. 4

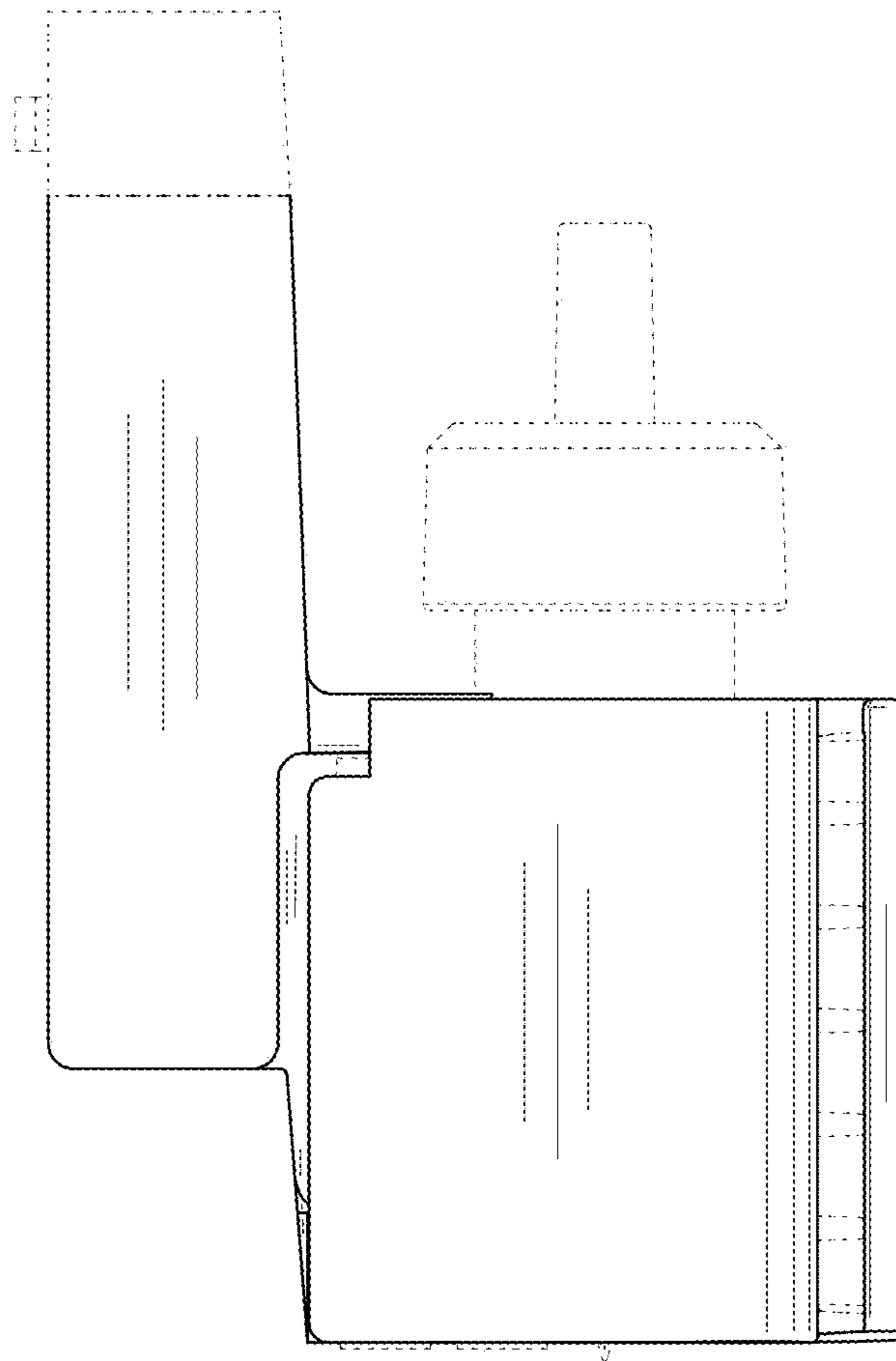


FIG. 5

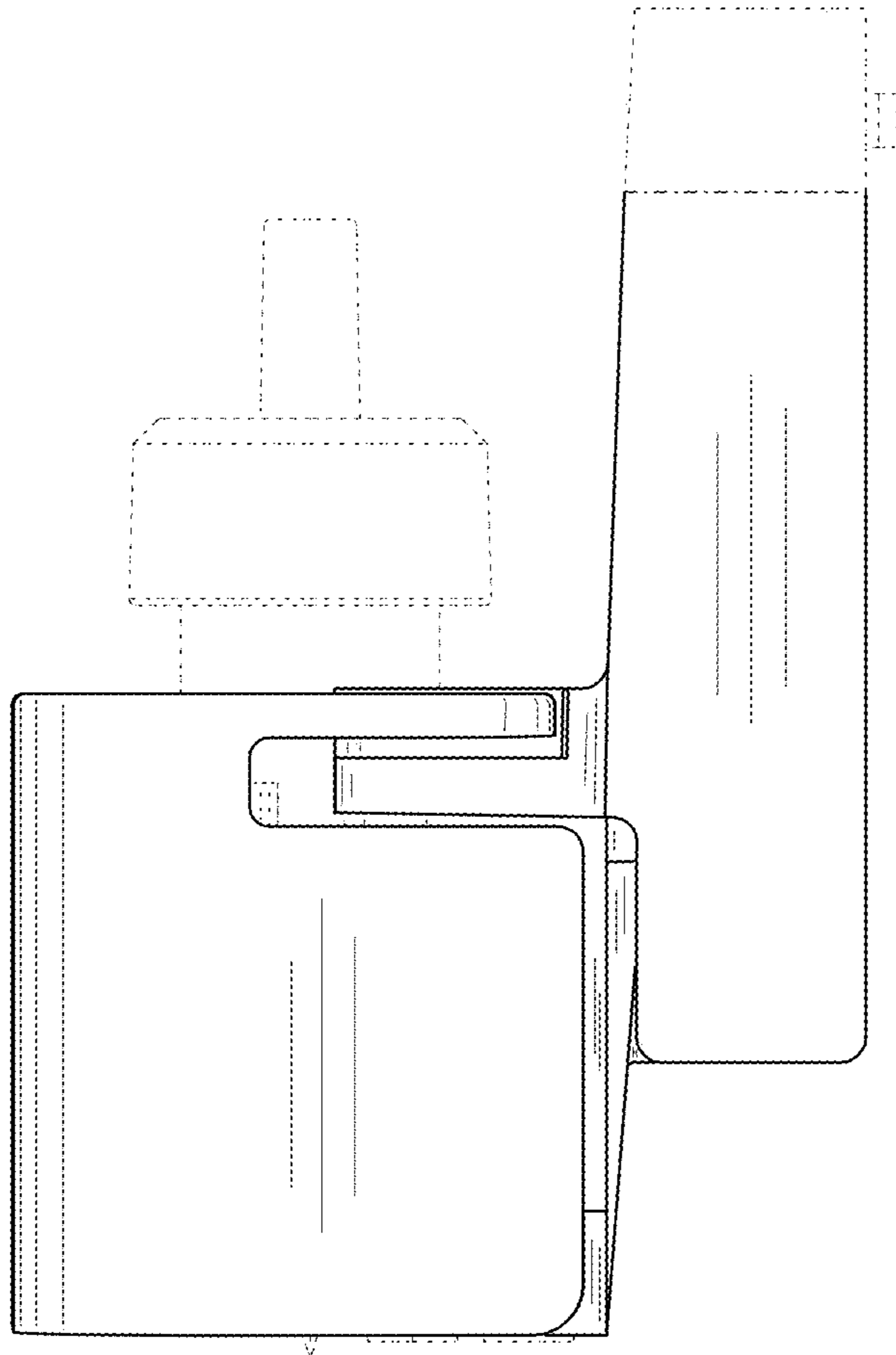


FIG. 6

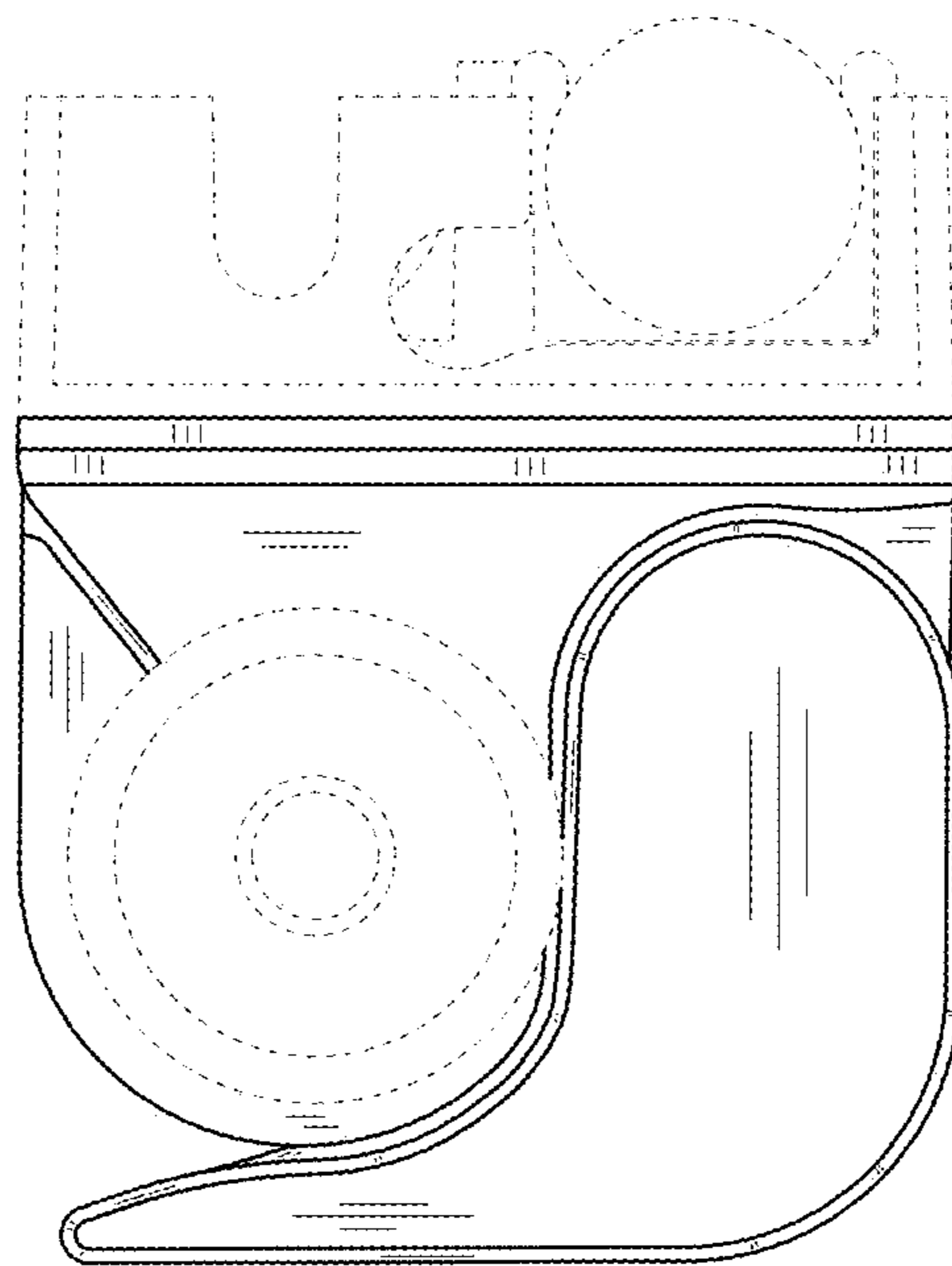


FIG. 7