



US00D986316S

(12) **United States Design Patent**
Yao et al.

(10) **Patent No.:** **US D986,316 S**

(45) **Date of Patent:** **** May 16, 2023**

(54) **HAND-HELD PRINTER**

(71) Applicant: **ZHUHAI BENTSAI ELECTRONICS CO., LTD.**, Zhuhai (CN)

(72) Inventors: **Xiaoguang Yao**, Zhuhai (CN); **Yang Li**, Zhuhai (CN); **Gaoping Yang**, Zhuhai (CN)

(73) Assignee: **ZHUHAI BENTSAI ELECTRONICS CO., LTD.**, Zhuhai (CN)

(**) Term: **15 Years**

(21) Appl. No.: **29/747,466**

(22) Filed: **Aug. 24, 2020**

(30) **Foreign Application Priority Data**

Feb. 27, 2020 (CN) 202030061742.1

(51) **LOC (14) Cl.** **18-99**

(52) **U.S. Cl.**
USPC **D18/19**

(58) **Field of Classification Search**
USPC D18/12, 14-19, 36-41, 50, 45, 54, 55, D18/53, 56; D19/65, 66, 67, 68, 69, 70, D19/71; D14/301, 307, 121
CPC H04N 1/00204; H04N 1/00249; H04N 1/00278; G06K 15/12; G06K 15/14; B41J 3/00; B41J 3/28; B41J 3/445; B41J 3/46; B41J 2/3358; B41J 3/36; B41J 3/382; B41J 3/39; B41J 11/0045
See application file for complete search history.

(56) **References Cited**

U.S. PATENT DOCUMENTS

D267,017 S * 11/1982 Sato D18/19
D292,006 S * 9/1987 Fujita D18/19
D295,535 S * 5/1988 Reinke D18/19
D558,817 S * 1/2008 Katayama D14/496

D579,043 S * 10/2008 Hattori D18/50
D660,906 S * 5/2012 Hermann D18/19
D674,008 S * 1/2013 Miller D18/50
D694,319 S * 11/2013 Nakagawa D18/50
D720,397 S * 12/2014 Hirabayashi D18/50
D750,162 S * 2/2016 Ozawa D18/50
2008/0144053 A1 * 6/2008 Gudan B41J 3/46
358/1.8

(Continued)

FOREIGN PATENT DOCUMENTS

CN 201230522004 7/2013
CN 2018307324922 10/2019

(Continued)

OTHER PUBLICATIONS

Amazon. Link: <https://www.amazon.com/BENTSAI-Handheld-Character-Water-Absorbing-Material/dp/B08G85691Y/?th=1>. Aug. 19, 2020. Bentsai B80 Handheld Inkjet Printer. (Year: 2020).*

(Continued)

Primary Examiner — Lauren D McVey

(57) **CLAIM**

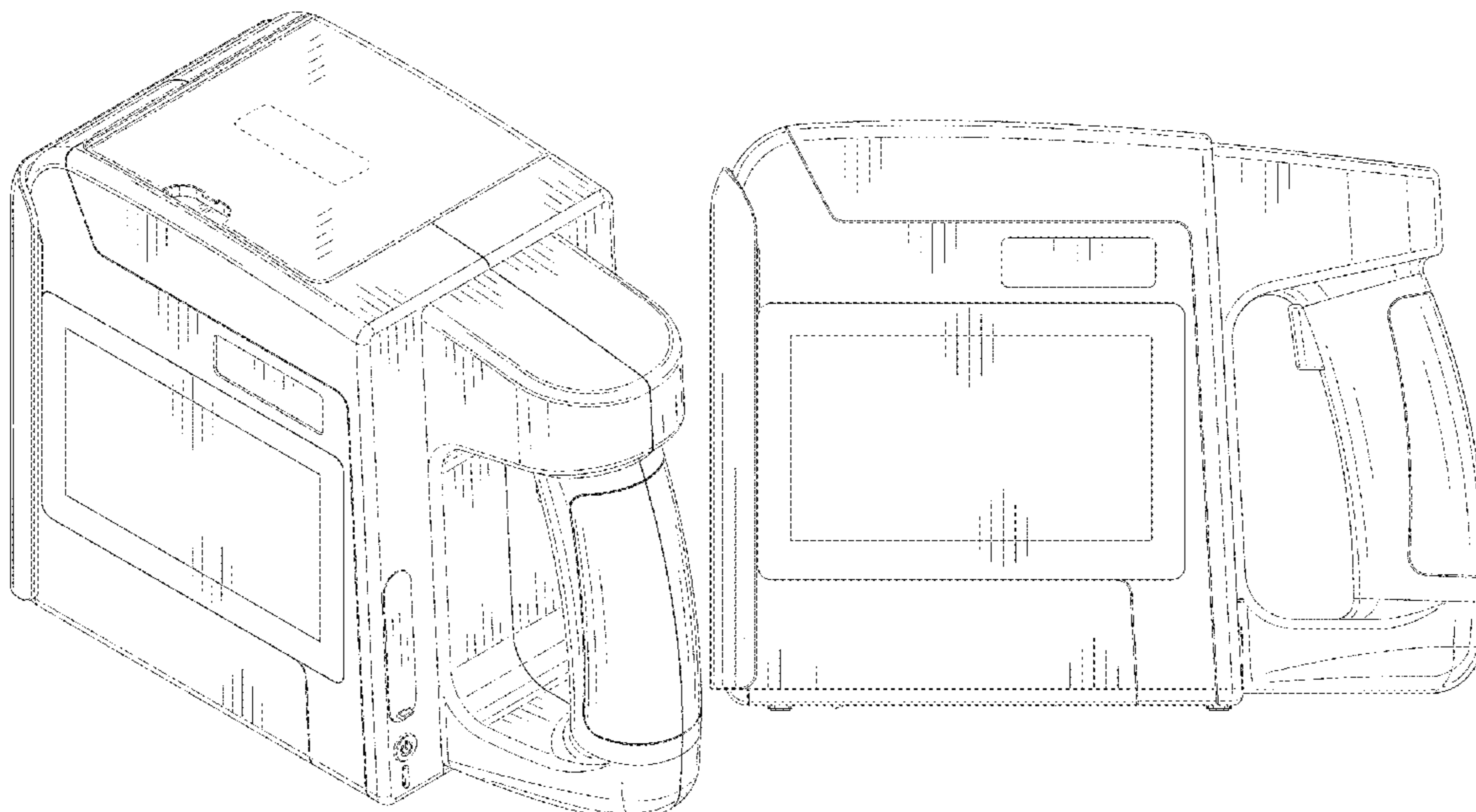
The ornamental design for a hand-held printer, as shown and described.

DESCRIPTION

FIG. 1 is a front perspective view of a hand-held printer showing our new design;
FIG. 2 is a front elevational view thereof;
FIG. 3 is a rear elevational view thereof;
FIG. 4 is a left side elevational view thereof;
FIG. 5 is a right side elevational view thereof;
FIG. 6 is a top plan view thereof; and,
FIG. 7 is a bottom plan view thereof.

The broken lines in the drawings depict portions of the hand-held printer and form no part of the claimed design.

1 Claim, 7 Drawing Sheets



(56)

References Cited

U.S. PATENT DOCUMENTS

2011/0109678 A1* 5/2011 Schwartz B41J 3/36
347/14
2022/0300775 A1* 9/2022 Zhou B41J 2/04586

FOREIGN PATENT DOCUMENTS

CN 111300999 A * 6/2020 B41J 3/36
CN 111301022 A * 6/2020 B41J 2/04505
CN 114040850 A * 2/2022 B41J 2/04505
GB 6098841 * 8/2020
GB 6098842 * 8/2020
JP D1680368 * 3/2021
KR 301116256.0000 * 6/2021

OTHER PUBLICATIONS

Amazon. Link: https://www.amazon.com/Handheld-BENTSAI-Character-Water-Absorbing-Surfaces/dp/B0924CN1ZC?ref_=ast_sto_dp. Apr. 9, 2021. Wide Format Handheld Inkjet Printer Bentsai B85. (Year: 2021).*

Amazon. Link: <https://www.amazon.com/dp/B09TSDZZQW/>. Mar. 3, 2022. v4ink B85 Wide Format Handheld Inkjet Printer Large. (Year: 2022).*

* cited by examiner

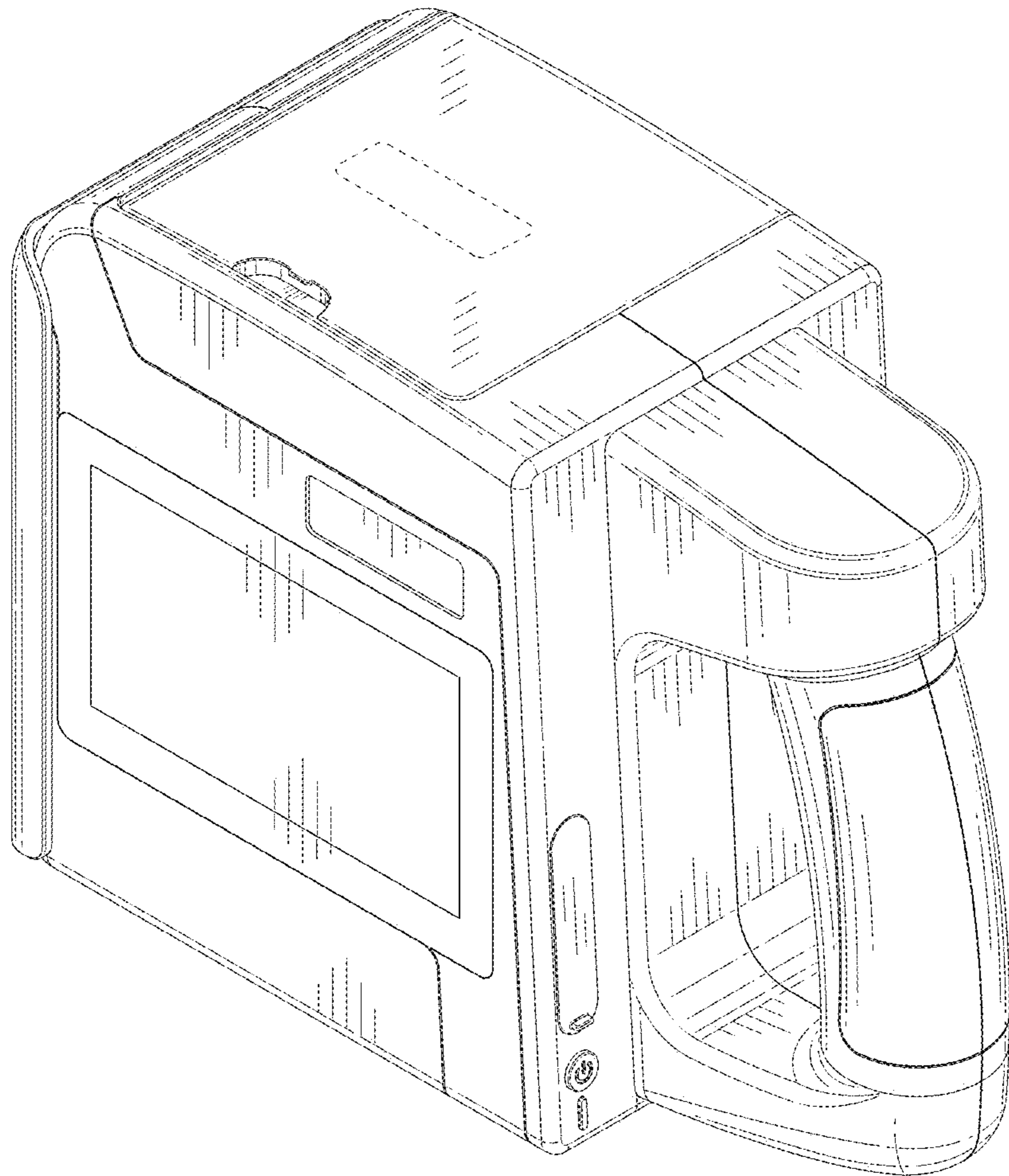


FIG. 1

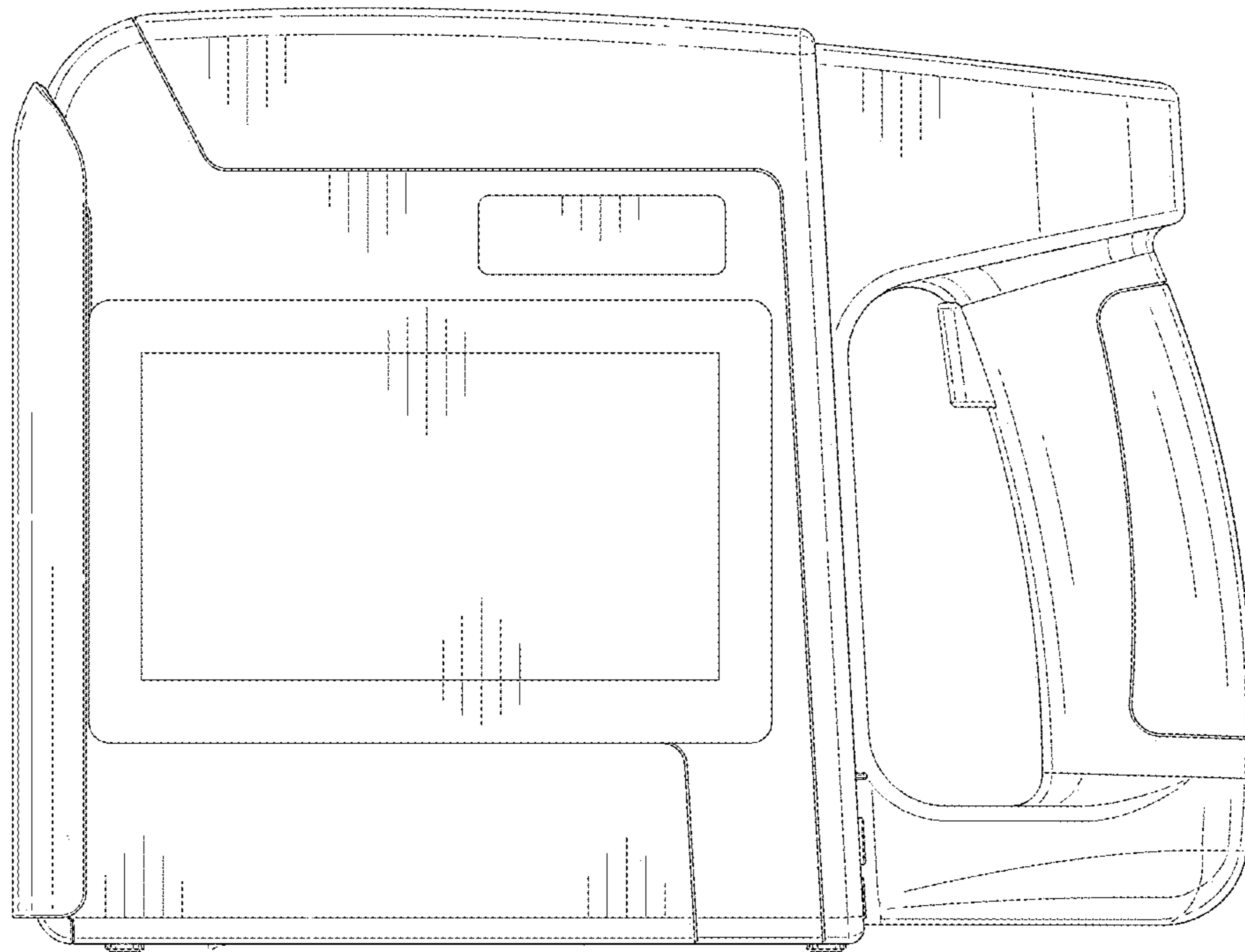


FIG. 2

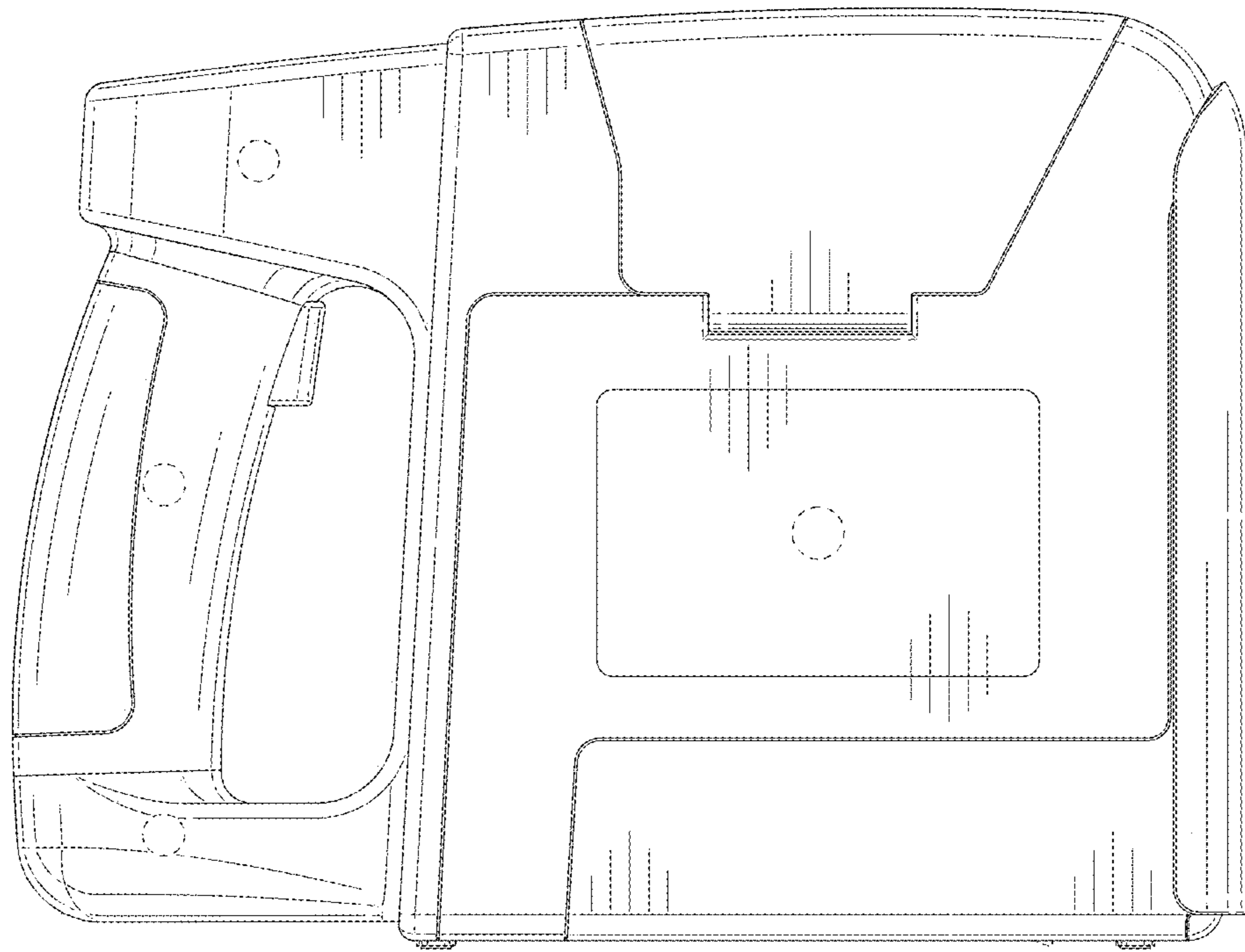


FIG. 3

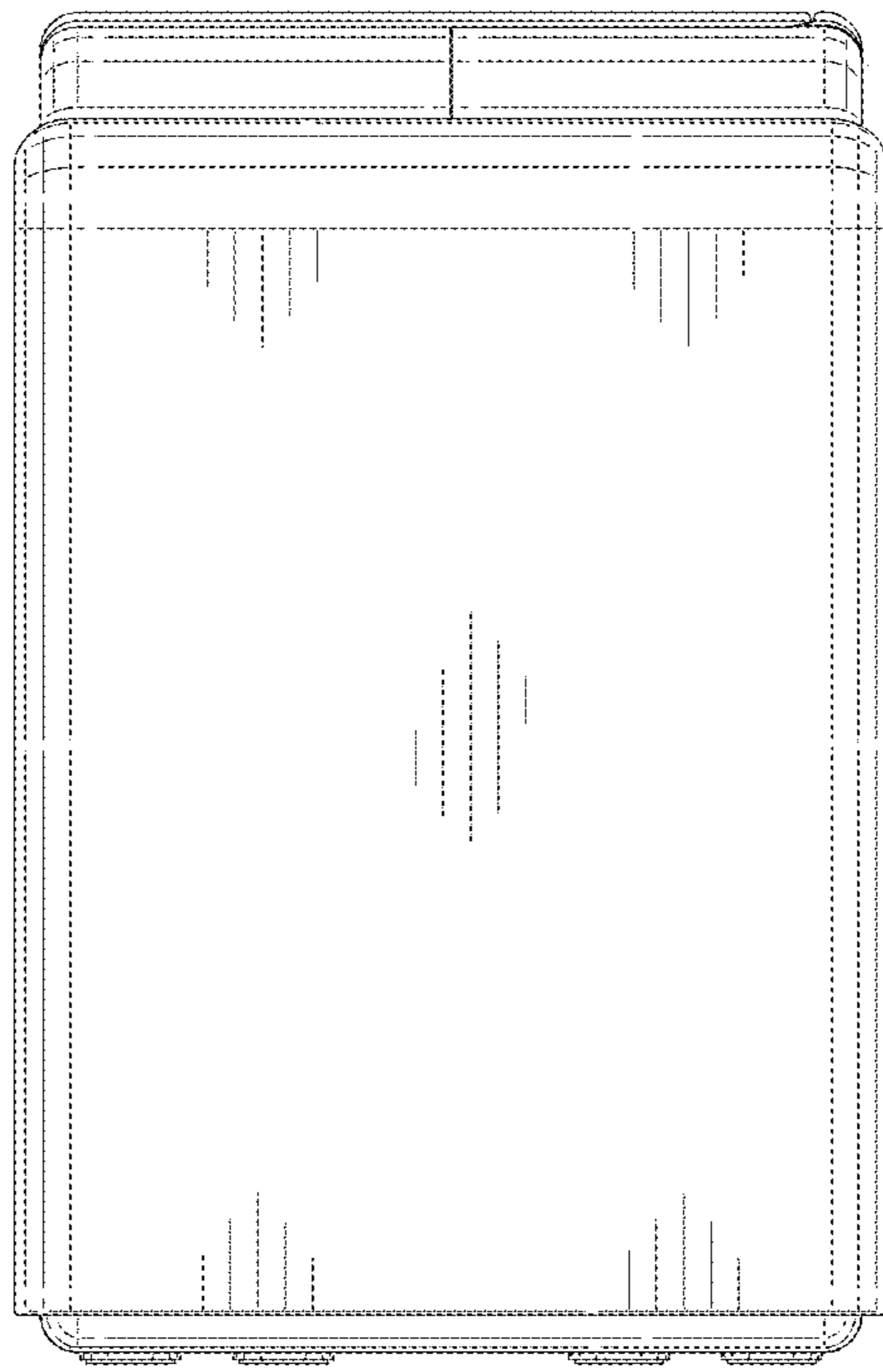


FIG. 4

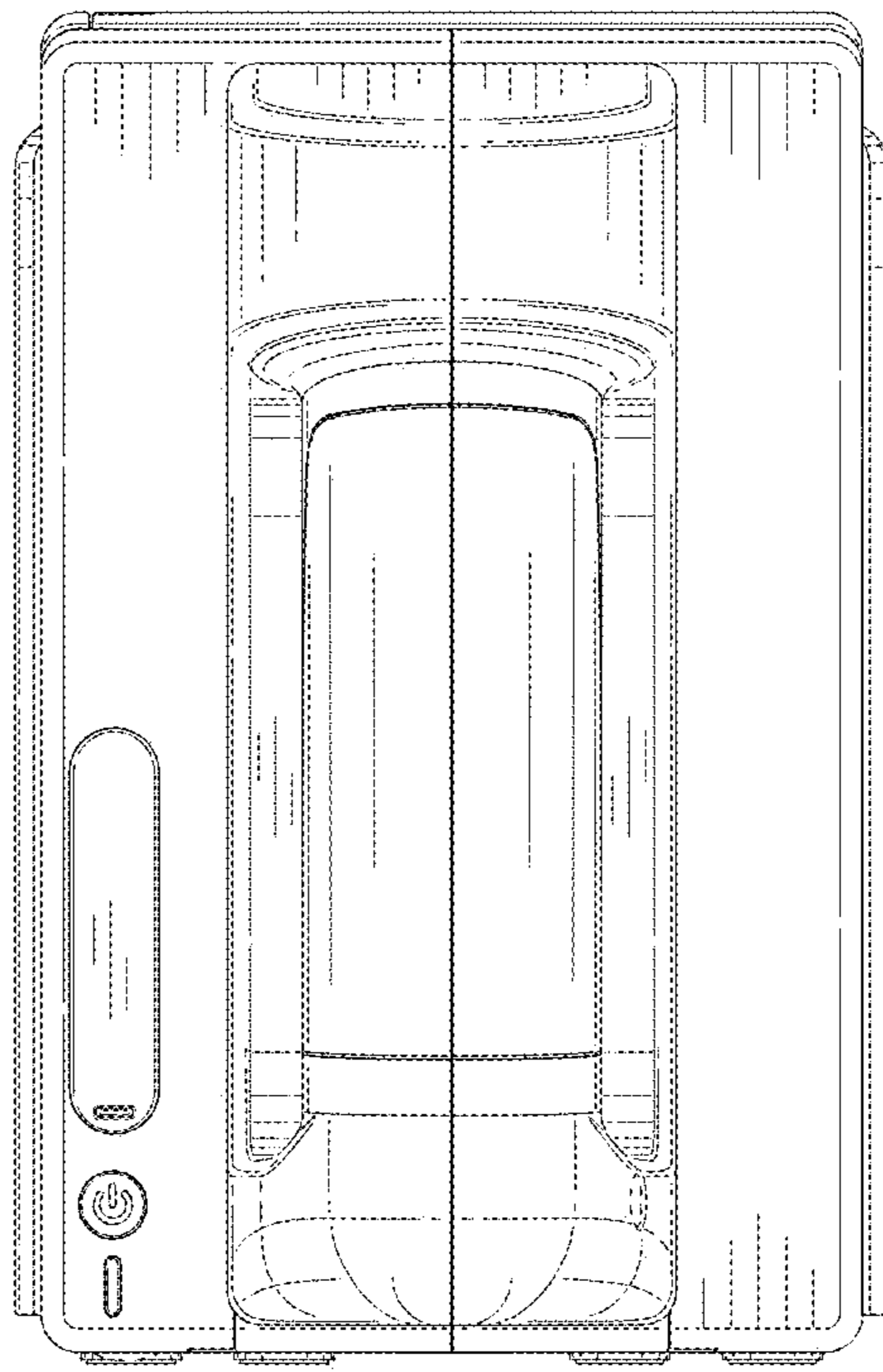


FIG. 5

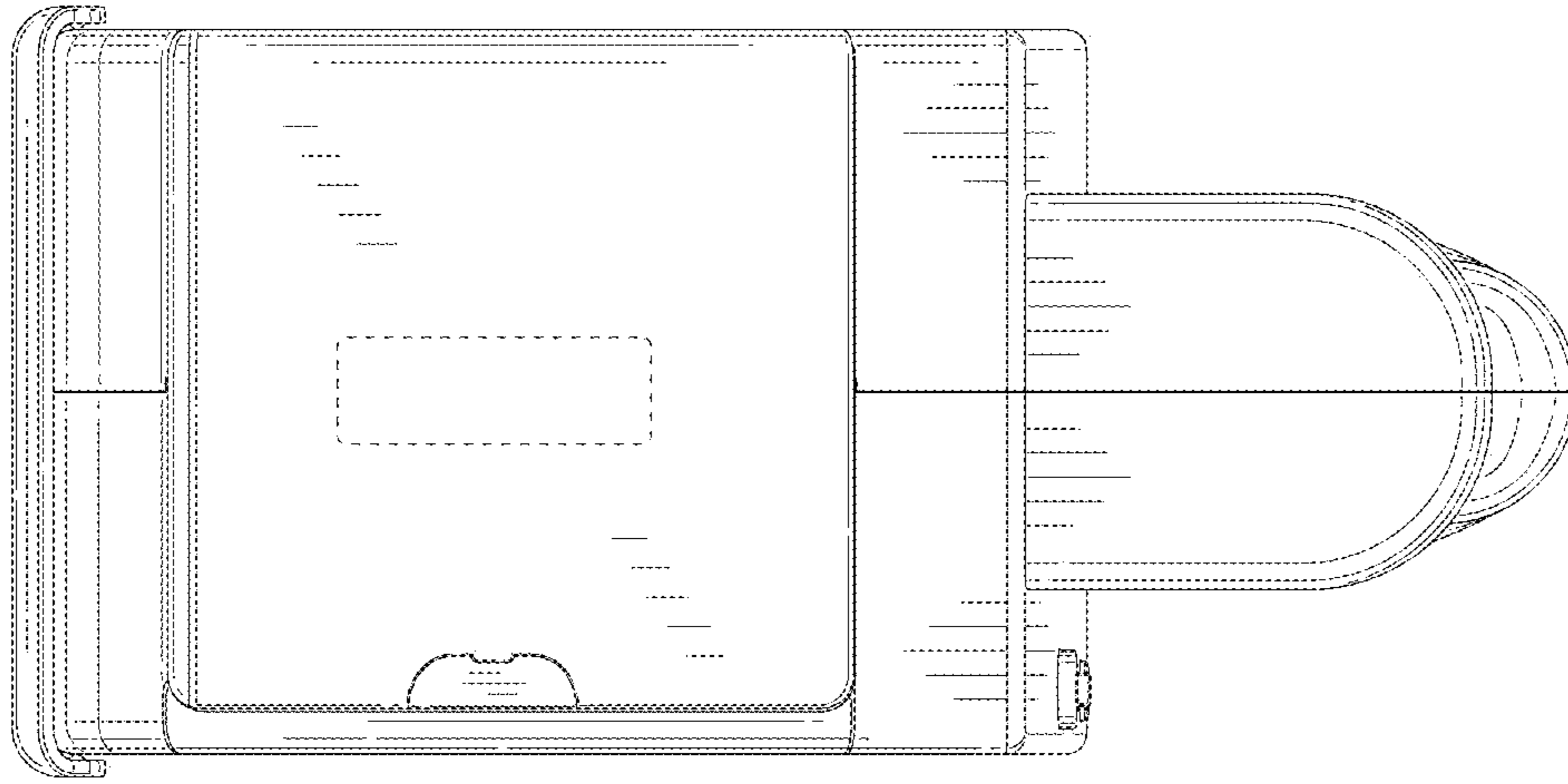


FIG. 6

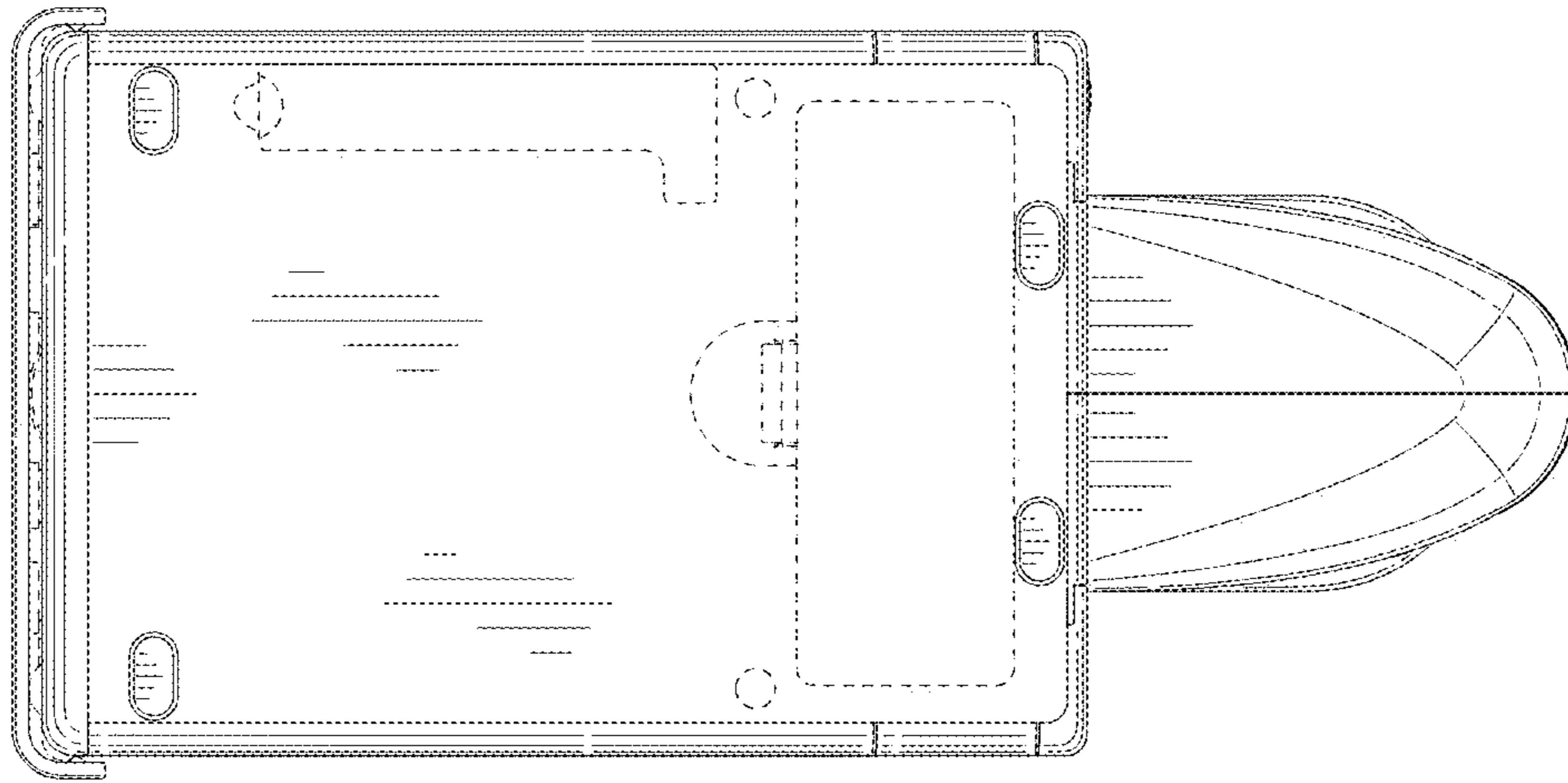


FIG. 7