



US00D986313S

(12) **United States Design Patent**  
**Lin**

(10) **Patent No.:** **US D986,313 S**

(45) **Date of Patent:** **\*\* May 16, 2023**

(54) **TELEPROMPTER**

(71) Applicant: **Yueping Lin**, Guangdong (CN)

(72) Inventor: **Yueping Lin**, Guangdong (CN)

(73) Assignee: **Shenzhen Fule Gaoqing Technology Co., Ltd.**, Guangdong (CN)

(\*\*) Term: **15 Years**

(21) Appl. No.: **29/796,343**

(22) Filed: **Jun. 23, 2021**

(51) **LOC (14) Cl.** ..... **16-02**

(52) **U.S. Cl.**  
USPC ..... **D16/221**; D14/239

(58) **Field of Classification Search**  
USPC ..... D16/221, 225, 232–233; D14/126, 128,  
D14/129, 336, 371, 375, 376, 239  
CPC ..... G03B 21/28; G03B 27/14; G06F 1/1601;  
G06F 1/1605; H04M 1/0272; H04N  
5/2222; H04N 5/2252  
See application file for complete search history.

(56) **References Cited**

**U.S. PATENT DOCUMENTS**

10,491,785 B1 \* 11/2019 Arnot ..... H04N 5/2222  
D956,028 S \* 6/2022 Chen ..... D16/221

D957,373 S \* 7/2022 Wang ..... D14/239  
D960,963 S \* 8/2022 Chen ..... D16/221  
D971,193 S \* 11/2022 Huang ..... D14/239  
2021/0278625 A1 \* 9/2021 Chen ..... H04N 5/2222  
2022/0094820 A1 \* 3/2022 Huang ..... H04N 5/2222

\* cited by examiner

*Primary Examiner* — Wan Laymon

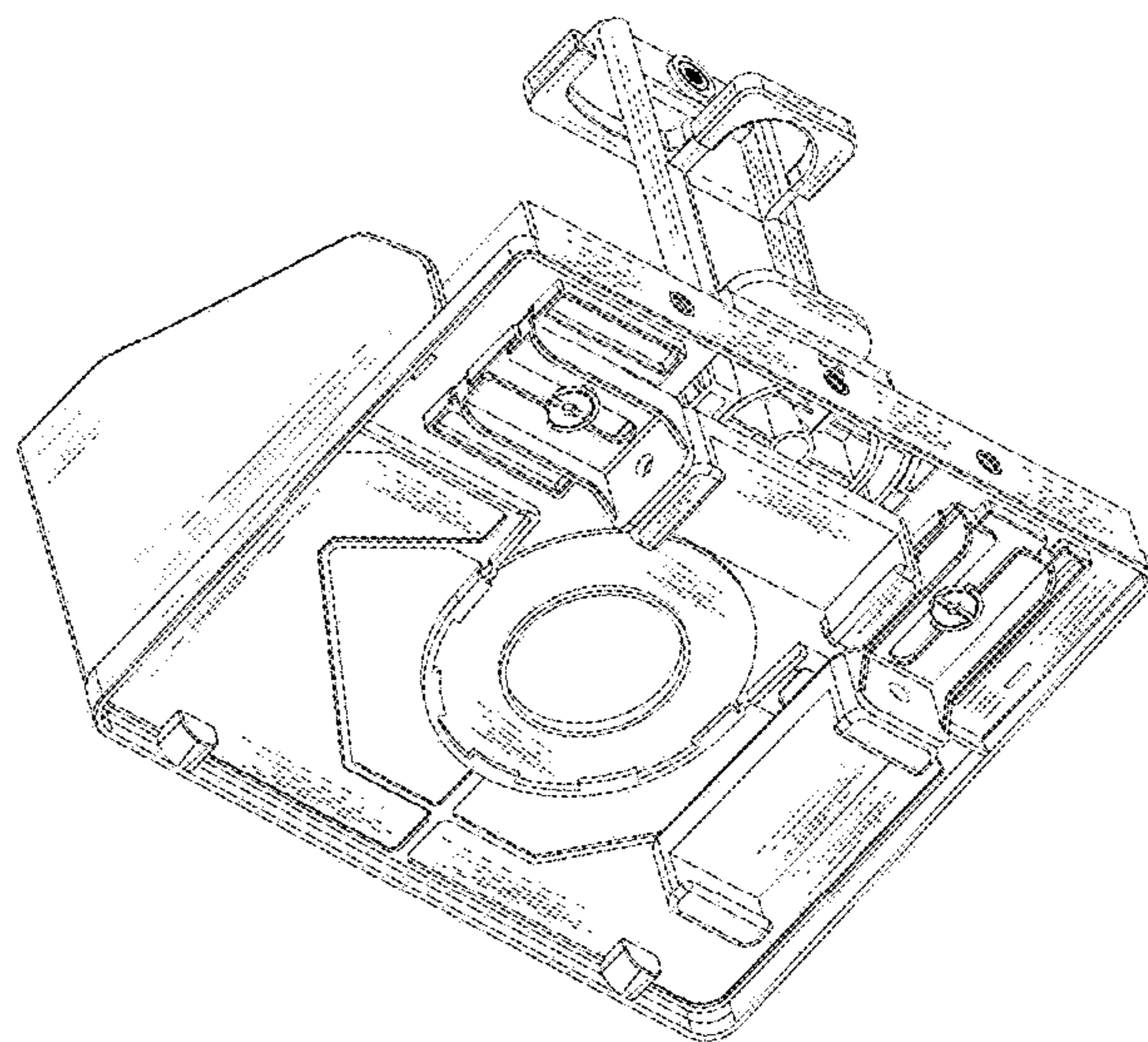
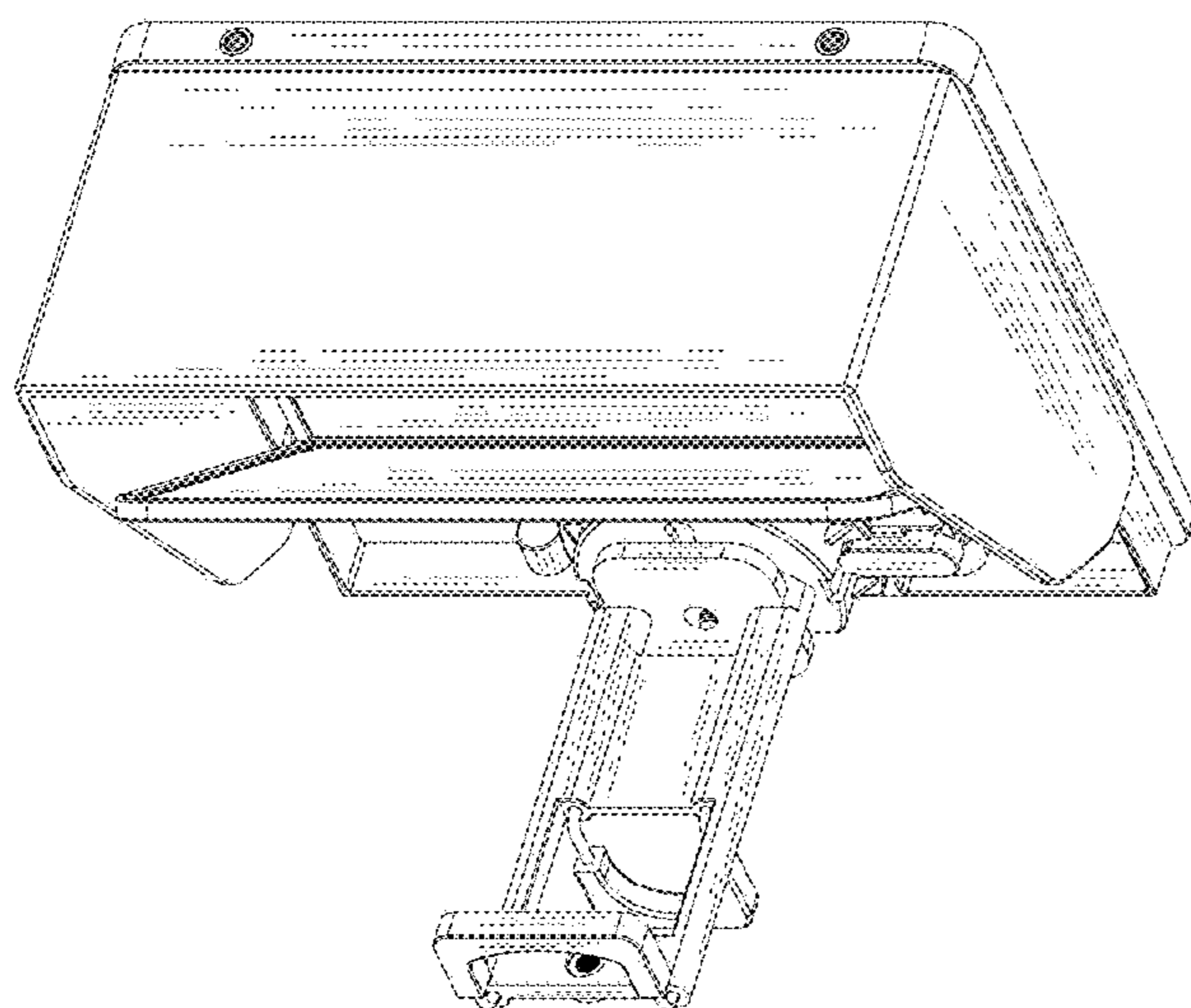
(57) **CLAIM**

The ornamental design for a teleprompter, as shown and described.

**DESCRIPTION**

FIG. 1 is a rear and top perspective view of a teleprompter showing my new design;  
FIG. 2 is a front and bottom perspective view thereof;  
FIG. 3 is a front elevation view thereof;  
FIG. 4 is a rear elevation view thereof;  
FIG. 5 is a left side elevation view thereof;  
FIG. 6 is a right side elevation view thereof;  
FIG. 7 is a top plan view thereof; and,  
FIG. 8 is a bottom plan view thereof.

**1 Claim, 8 Drawing Sheets**



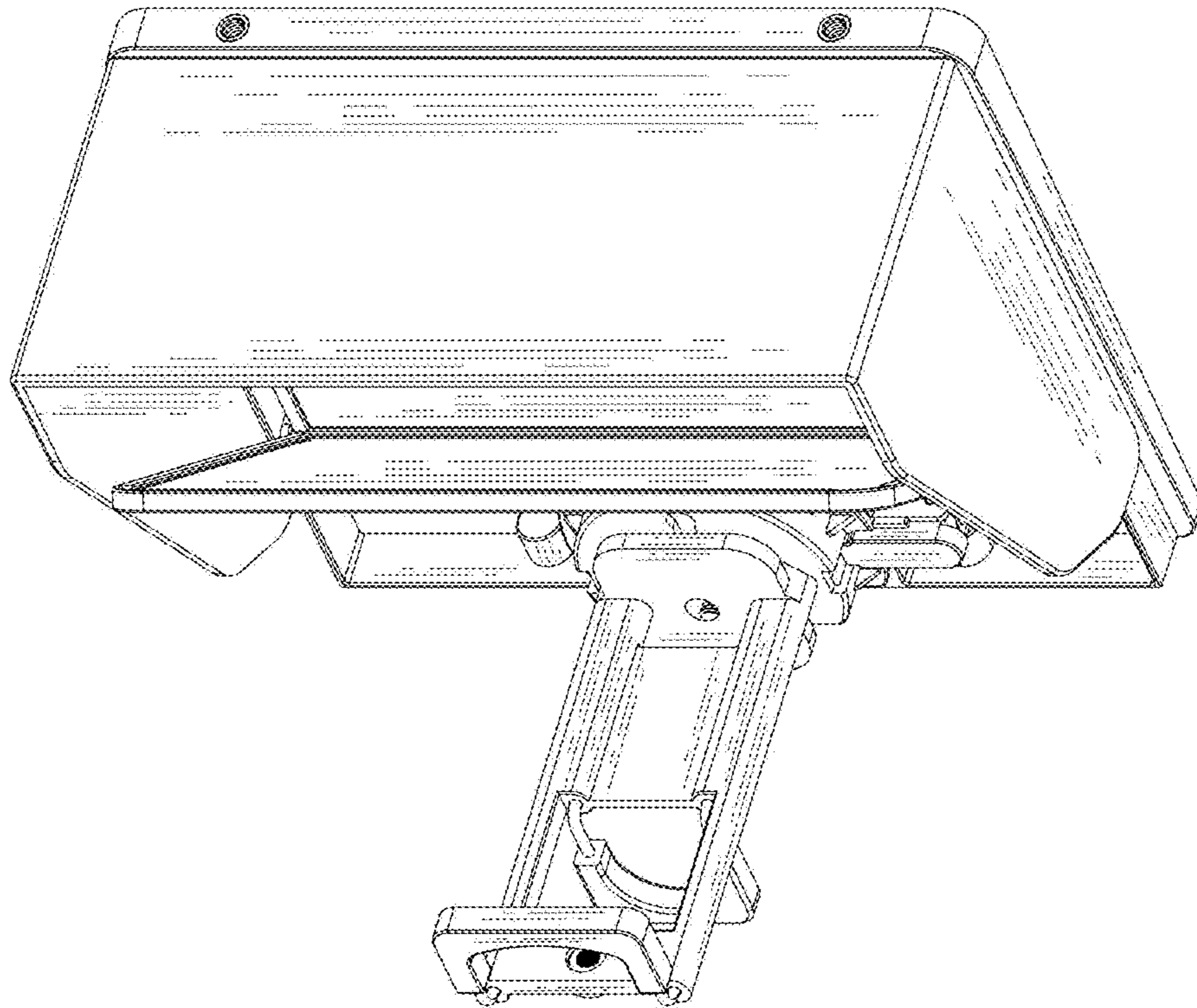


FIG.1

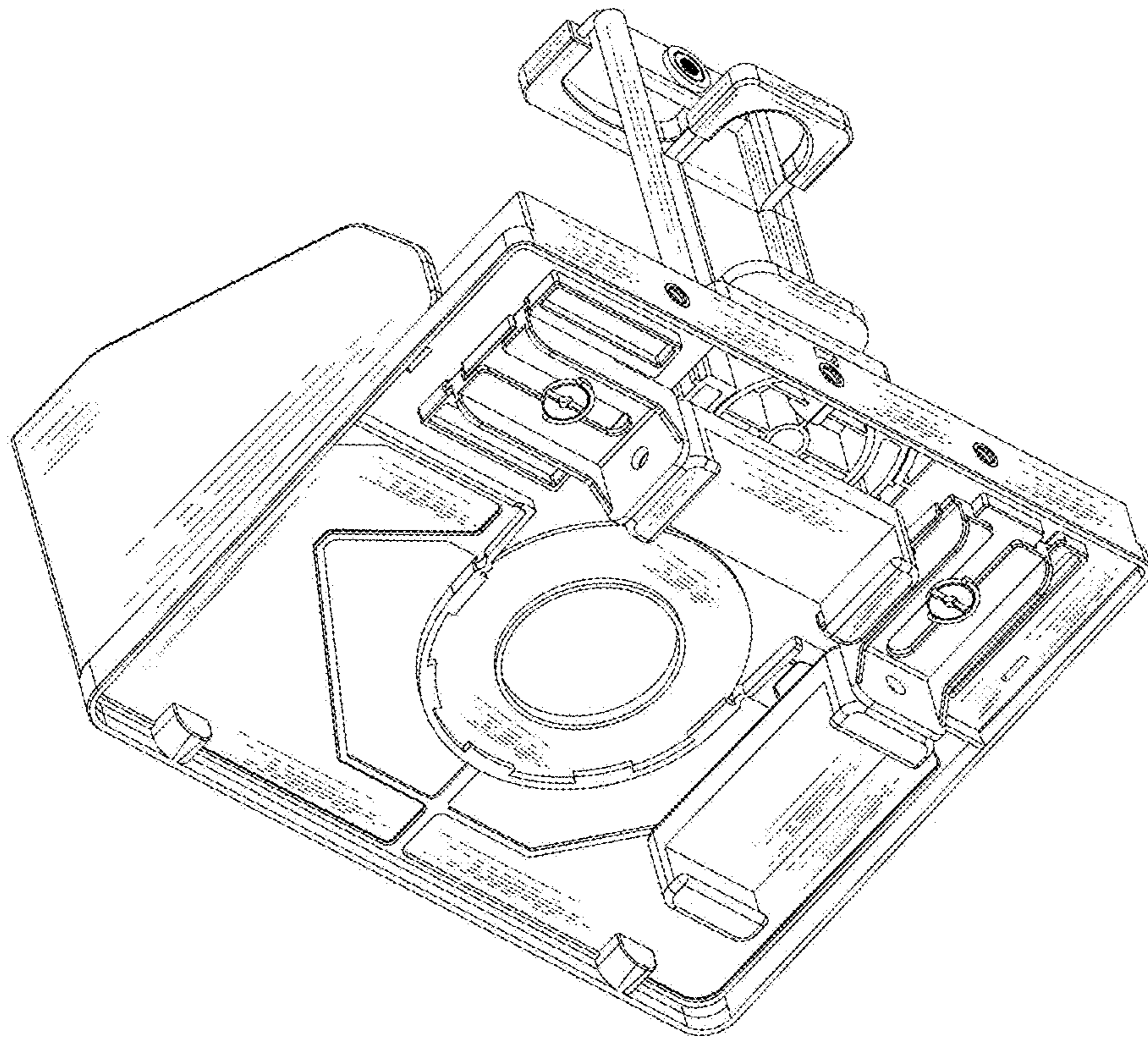


FIG.2

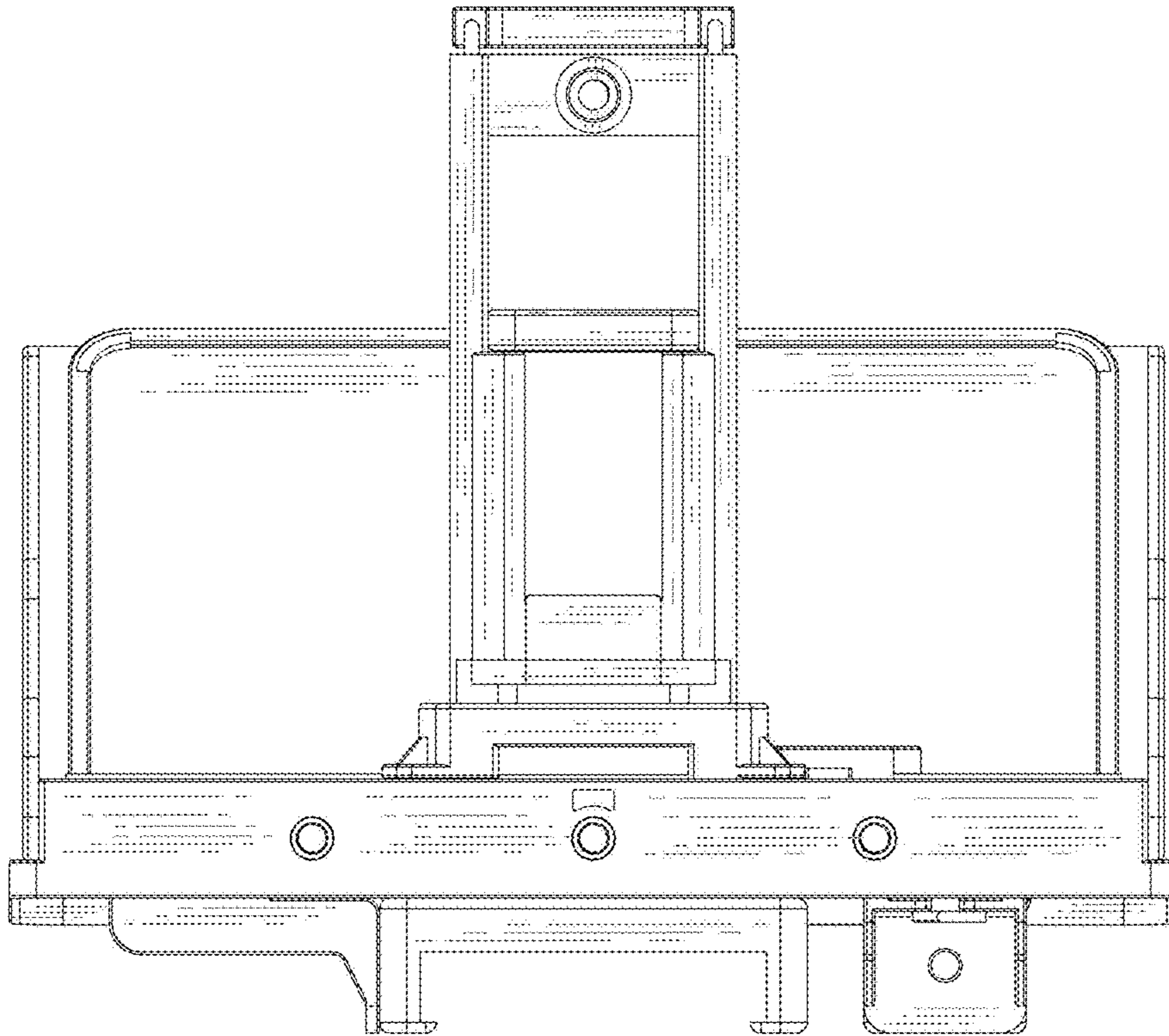


FIG.3

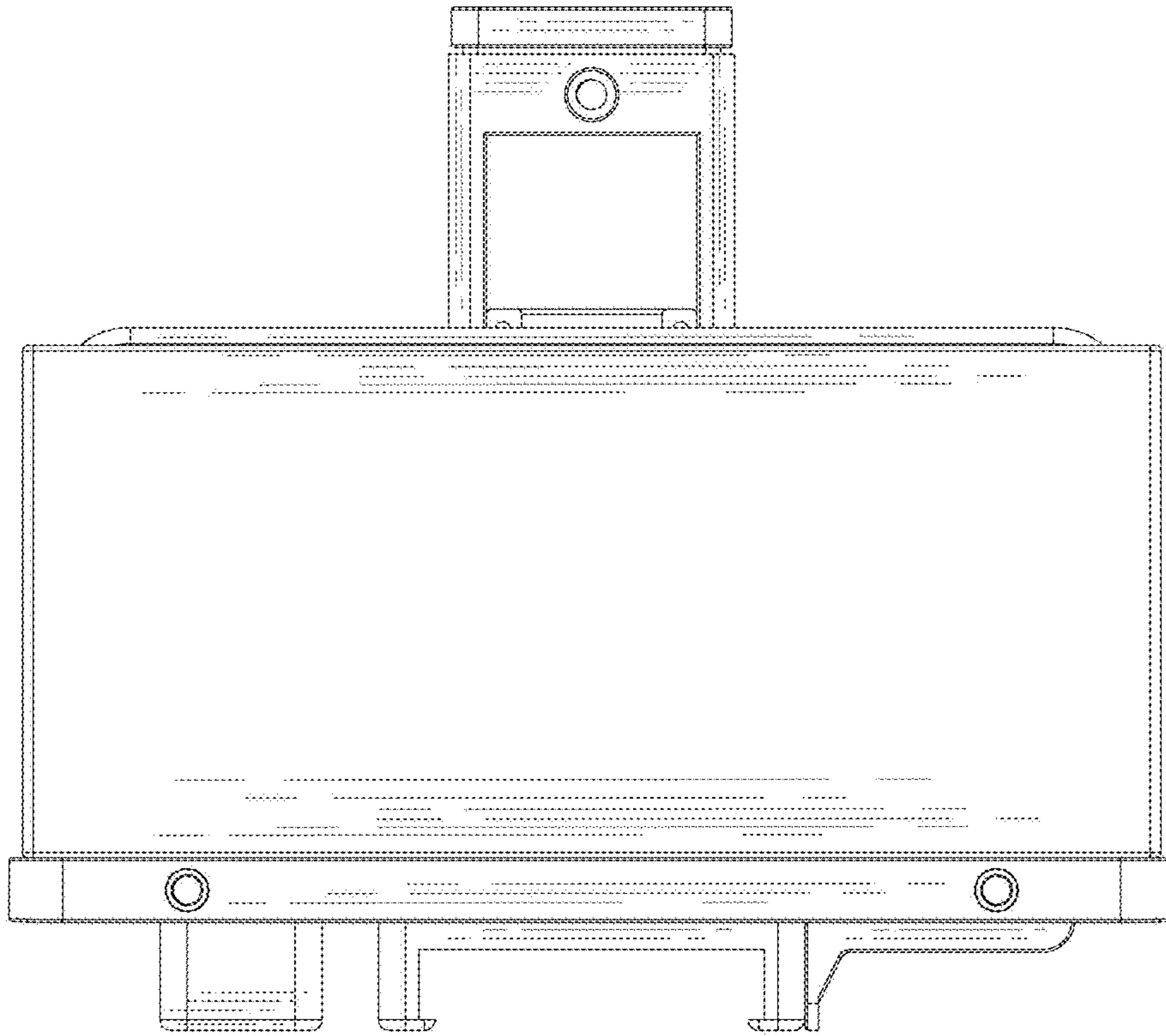


FIG.4

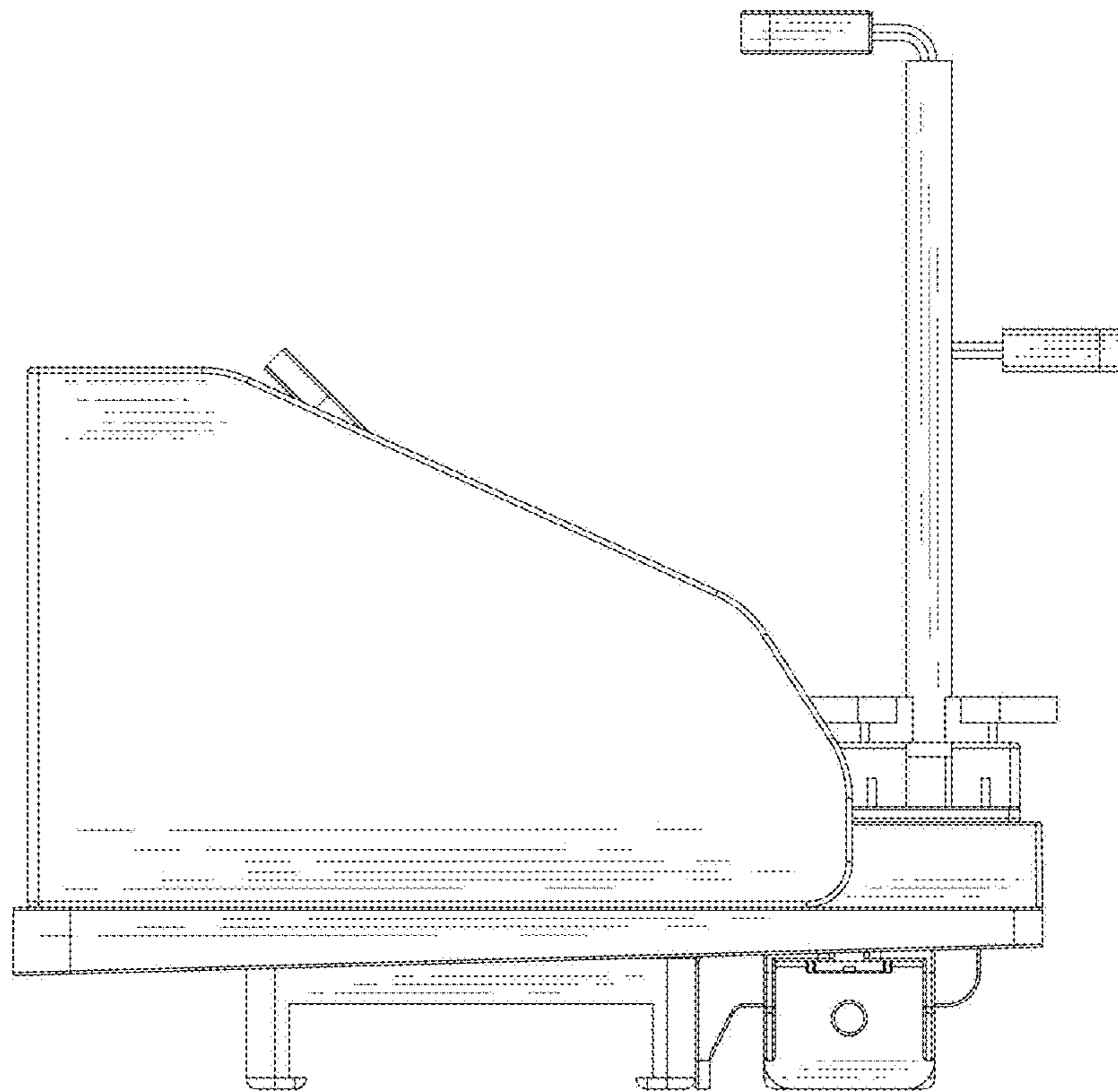


FIG. 5

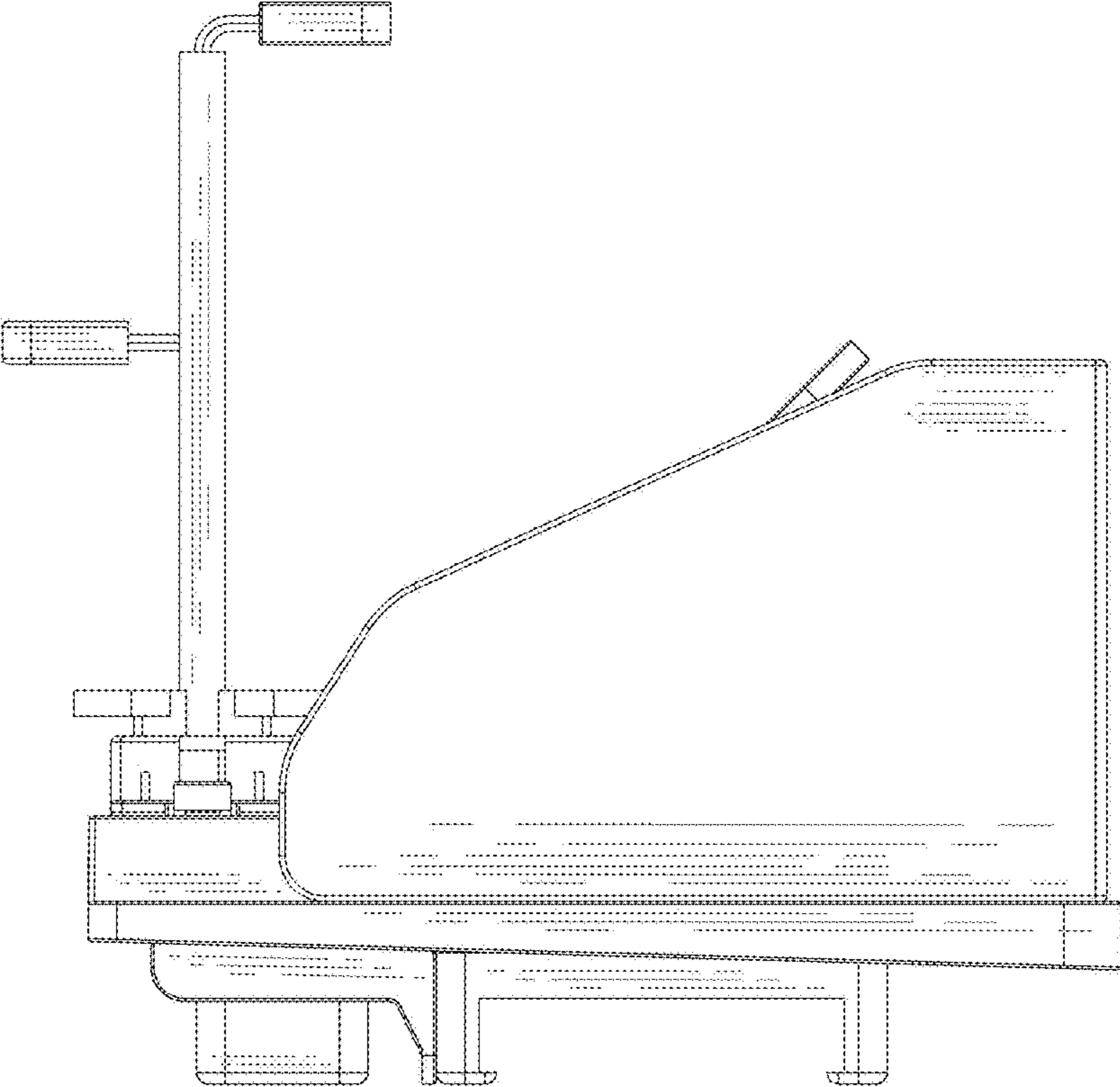


FIG.6

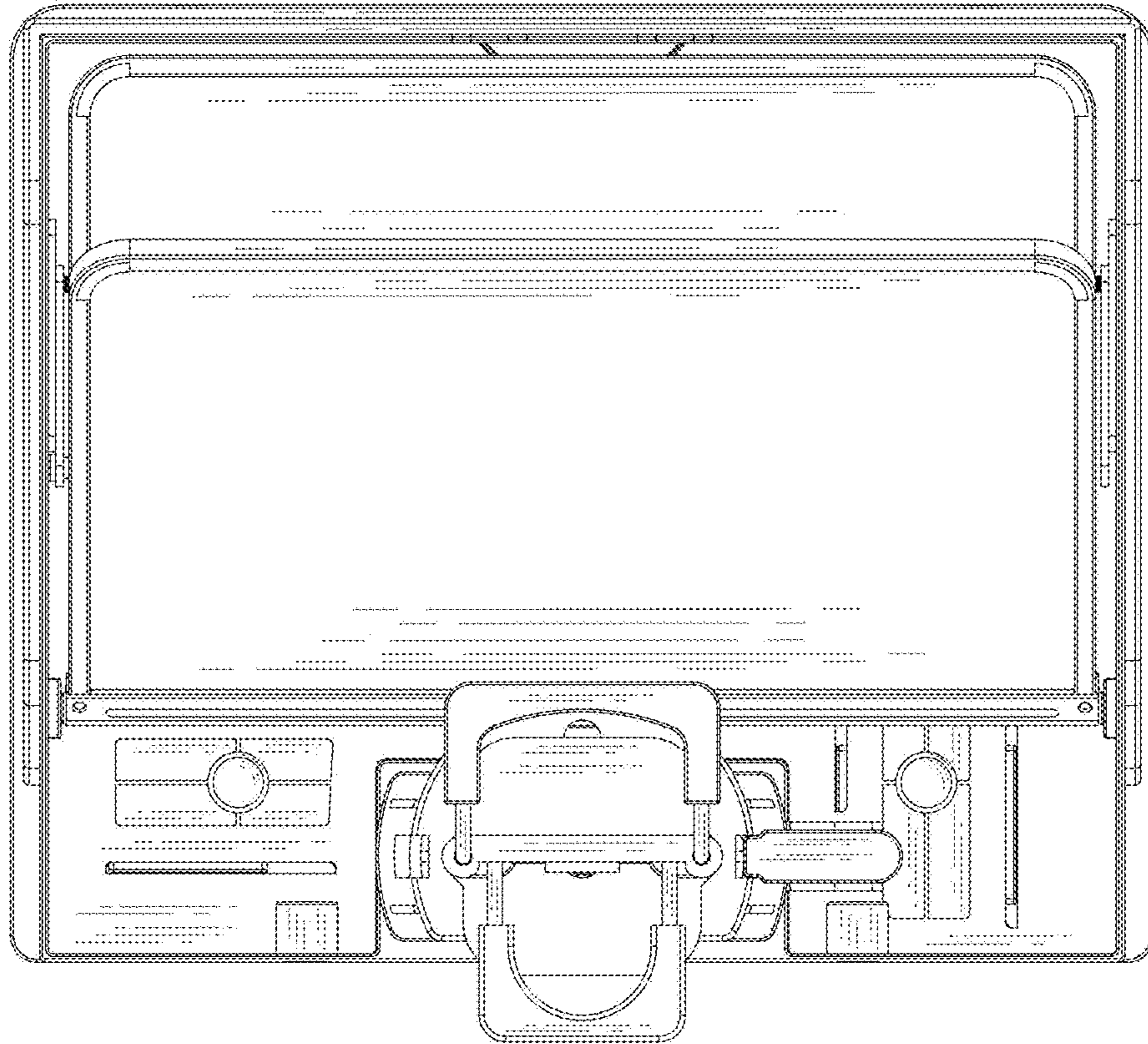


FIG. 7



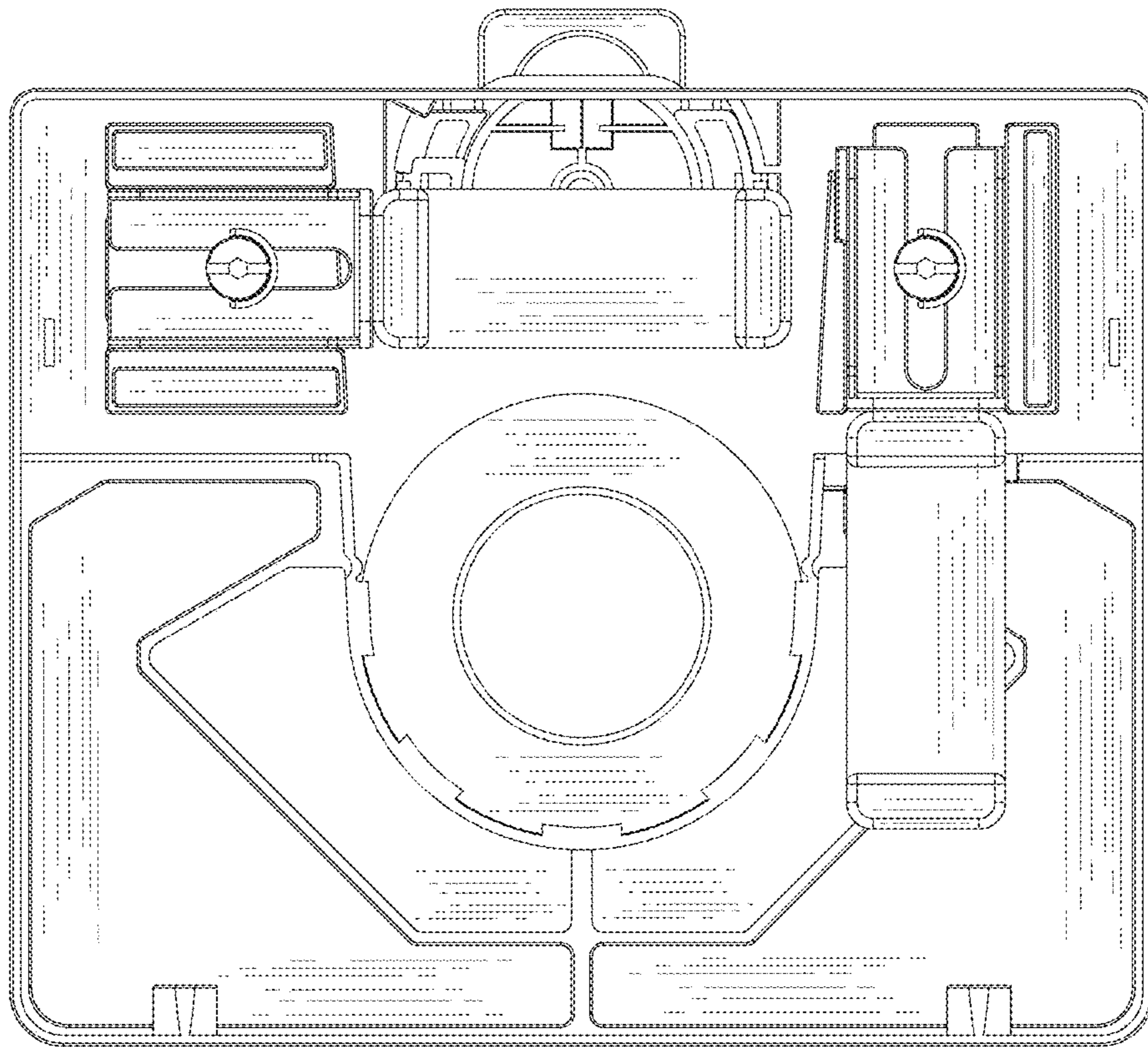


FIG. 8