



US00D986307S

(12) **United States Design Patent** (10) **Patent No.:** **US D986,307 S**  
**Paterson et al.** (45) **Date of Patent:** **\*\* May 16, 2023**

(54) **VIDEOCONFERENCE DEVICE**

(71) Applicant: **Plantronics, Inc.**, Santa Cruz, CA (US)

(72) Inventors: **Nicholas W. Paterson**, Aptos, CA (US); **Stann N. Sheperd**, Santa Cruz, CA (US); **Joseph (Hungmin) Liang**, Santa Cruz, CA (US); **George Janour**, Santa Cruz, CA (US)

(73) Assignee: **Plantronics, Inc.**, Santa Cruz, CA (US)

(\*\*) Term: **15 Years**

(21) Appl. No.: **29/768,578**

(22) Filed: **Jan. 29, 2021**

(51) **LOC (14) Cl.** ..... **16-01**

(52) **U.S. Cl.**  
USPC ..... **D16/202; D14/130**

(58) **Field of Classification Search**  
USPC ..... D16/200, 202-203, 208, 218, 219, 242;  
D14/130  
CPC ..... G03B 17/02; G03B 19/04; G03B 17/56;  
G03B 17/04; G03B 15/03; H04N  
2101/00; H04N 2007/145; H04N 7/141;  
H04N 7/142; H04N 7/147; H04N 7/148;  
H04N 7/15; H04N 7/152

See application file for complete search history.

(56) **References Cited**

**U.S. PATENT DOCUMENTS**

D193,271 S 7/1962 Noyes  
D400,549 S 11/1998 Wakefield

(Continued)

**OTHER PUBLICATIONS**

Videoconferencing units. EU 005125515-0002. (Design—© Questel) orbit.com. [online PDF] 5 pgs. Print Date May 17, 2018 [Retrieved

u Jan. 8, 2021] <https://www.orbit.com/export/QPTUJ214/pdf2/b76c2456-3d74-4b12-8bbb-739f310a7523-185625.pdf>.

(Continued)

*Primary Examiner* — Ramzi Almatrahi  
(74) *Attorney, Agent, or Firm* — Quarles & Brady LLP

(57) **CLAIM**

The ornamental design for a videoconference device, as shown and described.

**DESCRIPTION**

FIG. 1 is a top, front and right side perspective view of a first embodiment of a videoconference device showing our new design;

FIG. 2 is a bottom, front and left side perspective view thereof;

FIG. 3 is a front view thereof;

FIG. 4 is a back view thereof;

FIG. 5 is a left-side view thereof;

FIG. 6 is a right-side view thereof;

FIG. 7 is a top view thereof;

FIG. 8 is a bottom view thereof;

FIG. 9 is a top, front and right side perspective view of a second embodiment of a videoconference device showing our new design;

FIG. 10 is a bottom, front and left side perspective view thereof;

FIG. 11 is a front view thereof;

FIG. 12 is a back view thereof;

FIG. 13 is a left-side view thereof;

FIG. 14 is a right-side view thereof;

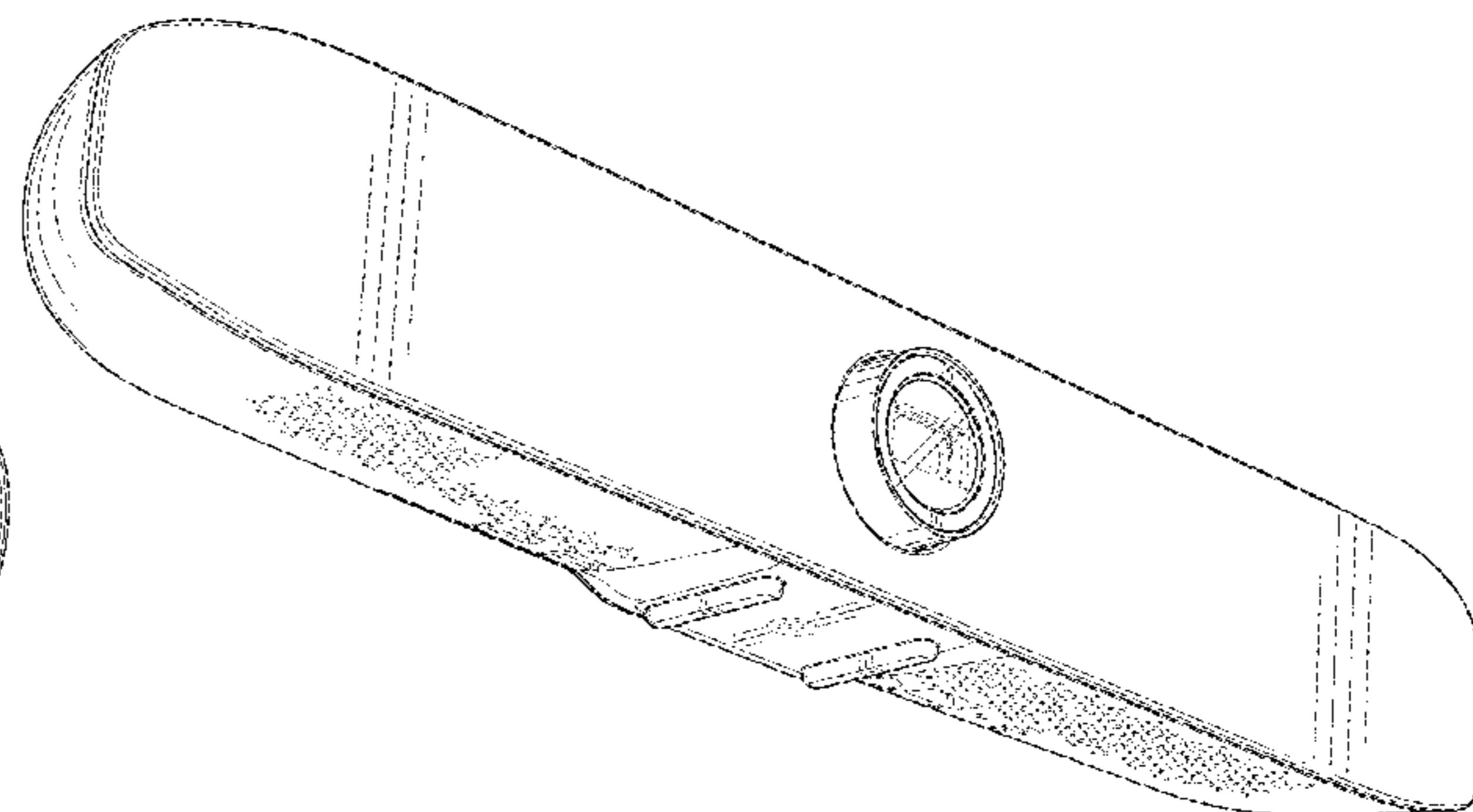
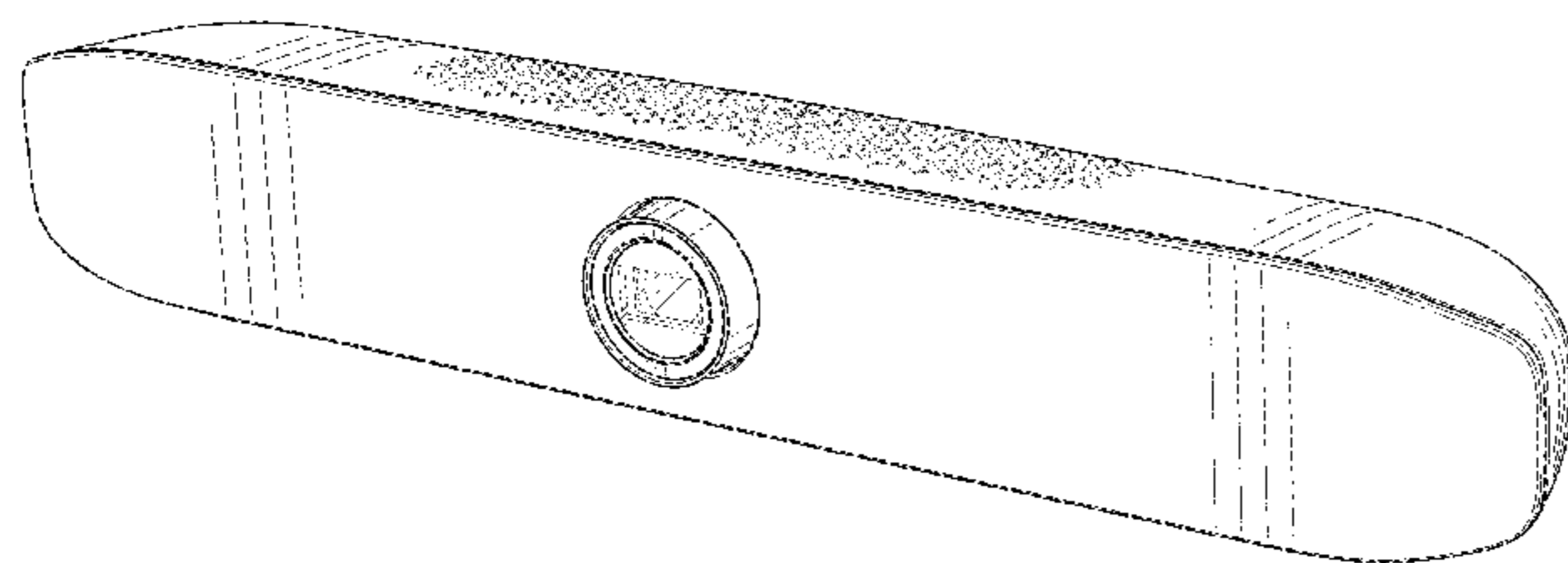
FIG. 15 is a top view thereof; and,

FIG. 16 is a bottom view thereof.

The broken lines depict portions of the videoconference device in which the design is embodied that form no part of the claimed design.

The break lines depicted with broken lines in the drawings are included to show a symbolic break and the appearance of any portion of the article between the break lines forms no part of the claimed design.

**1 Claim, 16 Drawing Sheets**



(56)

References Cited

U.S. PATENT DOCUMENTS

D441,000 S 4/2001 Vanderwilt et al.  
 D470,873 S 2/2003 Hovanky et al.  
 D471,219 S 3/2003 Hovanky et al.  
 D471,573 S 3/2003 Hovanky et al.  
 D535,676 S 1/2007 Dayan  
 D615,888 S 5/2010 Ikeda et al.  
 D616,403 S 5/2010 Roed et al.  
 D619,485 S 7/2010 Ikeda et al.  
 D641,388 S \* 7/2011 Shih ..... D16/202  
 D654,942 S 2/2012 Khamsepoor et al.  
 D655,690 S 3/2012 Yagi  
 D662,532 S \* 6/2012 Chang ..... D16/202  
 D664,579 S 7/2012 Tzeng  
 D665,439 S 8/2012 Khamsepoor et al.  
 D665,441 S 8/2012 McManigal  
 D666,163 S 8/2012 Hsu  
 D669,111 S 10/2012 Ravi et al.  
 D669,883 S 10/2012 Cheng  
 D669,884 S 10/2012 Hou  
 D671,909 S 12/2012 Choi  
 D674,430 S 1/2013 Inoue  
 D675,660 S 2/2013 Su  
 D676,829 S 2/2013 Kaneko  
 D680,569 S 4/2013 Lee et al.  
 D682,332 S 5/2013 Wang et al.  
 D685,015 S 6/2013 Wang et al.  
 D687,082 S 7/2013 Wang et al.  
 D692,858 S 11/2013 Millora et al.  
 D703,194 S 4/2014 Jacobs et al.  
 D709,481 S 7/2014 Liu  
 D712,952 S \* 9/2014 Sumii ..... D16/218  
 D715,769 S 10/2014 McManigal  
 D716,360 S 10/2014 Schechter  
 D734,804 S 7/2015 Chung  
 D735,150 S 7/2015 Baldwin et al.  
 D744,573 S \* 12/2015 Matsumiya ..... D16/218  
 D745,586 S \* 12/2015 Chou ..... D16/202

D750,601 S 3/2016 Williams et al.  
 D750,681 S 3/2016 Takami  
 D759,621 S 6/2016 Maxwell et al.  
 D759,630 S 6/2016 Huang  
 D788,725 S 6/2017 Thompkin et al.  
 D800,201 S \* 10/2017 Song ..... D16/202  
 D803,174 S 11/2017 Coffey et al.  
 D803,805 S 11/2017 Coffey et al.  
 D806,055 S 12/2017 Fischer et al.  
 D826,213 S 8/2018 Kim et al.  
 D827,596 S 9/2018 Hou  
 D836,581 S 12/2018 Andresen et al.  
 D849,086 S \* 5/2019 Russo ..... D16/202  
 D851,633 S 6/2019 Nakano et al.  
 D852,774 S 7/2019 Sugiura  
 D853,356 S 7/2019 Werle et al.  
 D861,640 S 10/2019 Werle et al.  
 D861,642 S 10/2019 Werle et al.  
 D865,029 S 10/2019 Fook  
 D865,839 S 11/2019 Hasegawa et al.  
 D874,541 S \* 2/2020 Kapuria ..... D16/208  
 D875,811 S \* 2/2020 Xiong ..... D16/208  
 D896,195 S 9/2020 Zhang et al.  
 D905,778 S 12/2020 Lenz et al.  
 D906,278 S 12/2020 Laine et al.  
 D908,156 S 1/2021 Michaelian et al.  
 D909,446 S 2/2021 Ross et al.  
 D912,717 S 3/2021 Russo et al.  
 D927,441 S \* 8/2021 Bailey ..... D16/208  
 D928,107 S \* 8/2021 Wang ..... D16/208  
 D938,380 S \* 12/2021 Wang ..... D16/208  
 D961,538 S \* 8/2022 Wang ..... D16/208

OTHER PUBLICATIONS

Wang et al., "Videoconference Device," Design U.S. Appl. No. 29/709,230, filed Oct. 11, 2019 (31 pages).  
 Bailey et al., "Videoconference Device," Design U.S. Appl. No. 29/709,231, filed Oct. 11, 2019 (32 pages).

\* cited by examiner

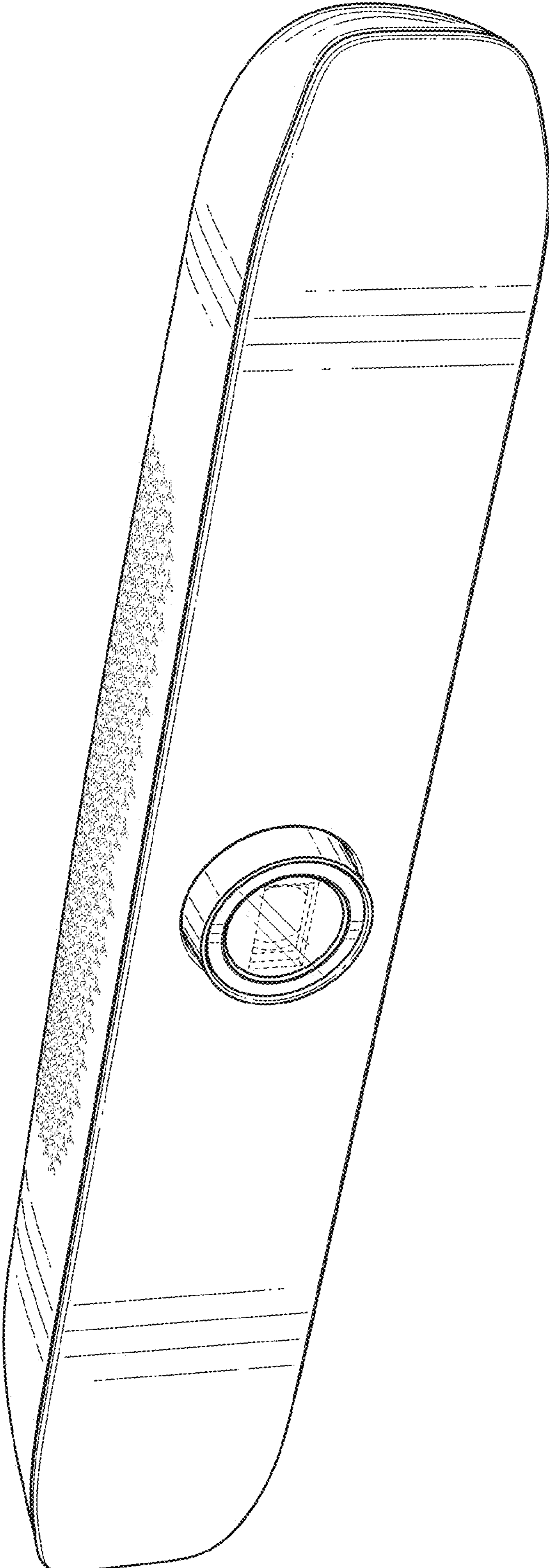


FIG. 1

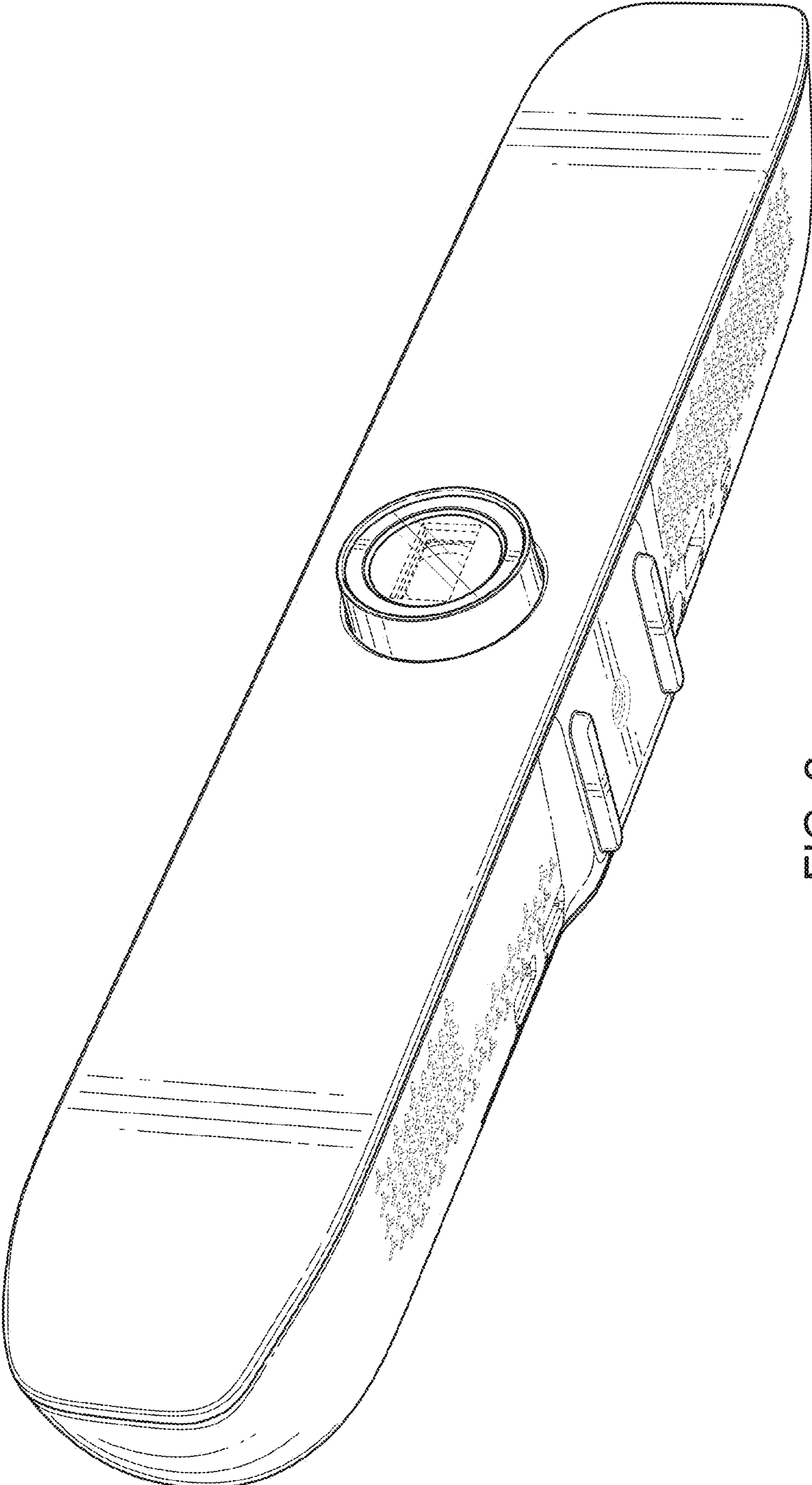


FIG. 2

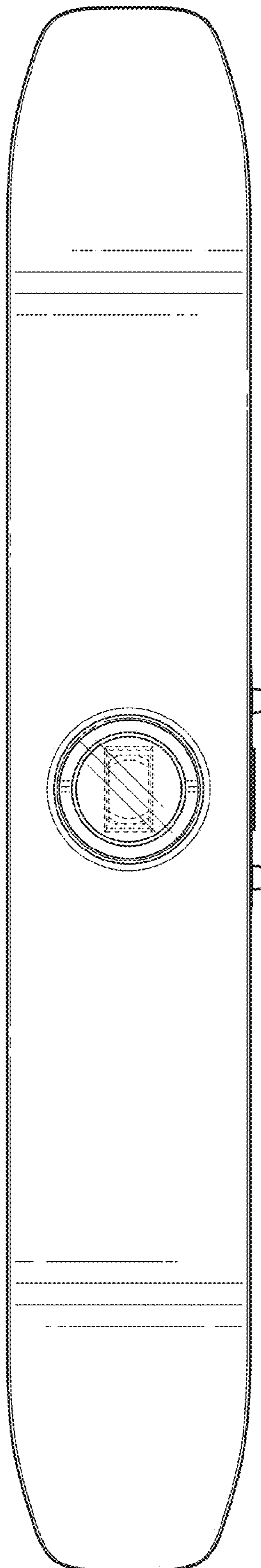


FIG. 3

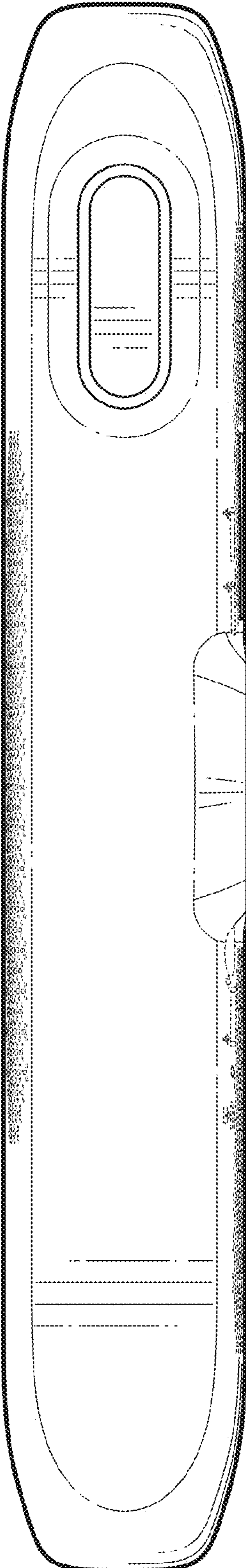


FIG. 4

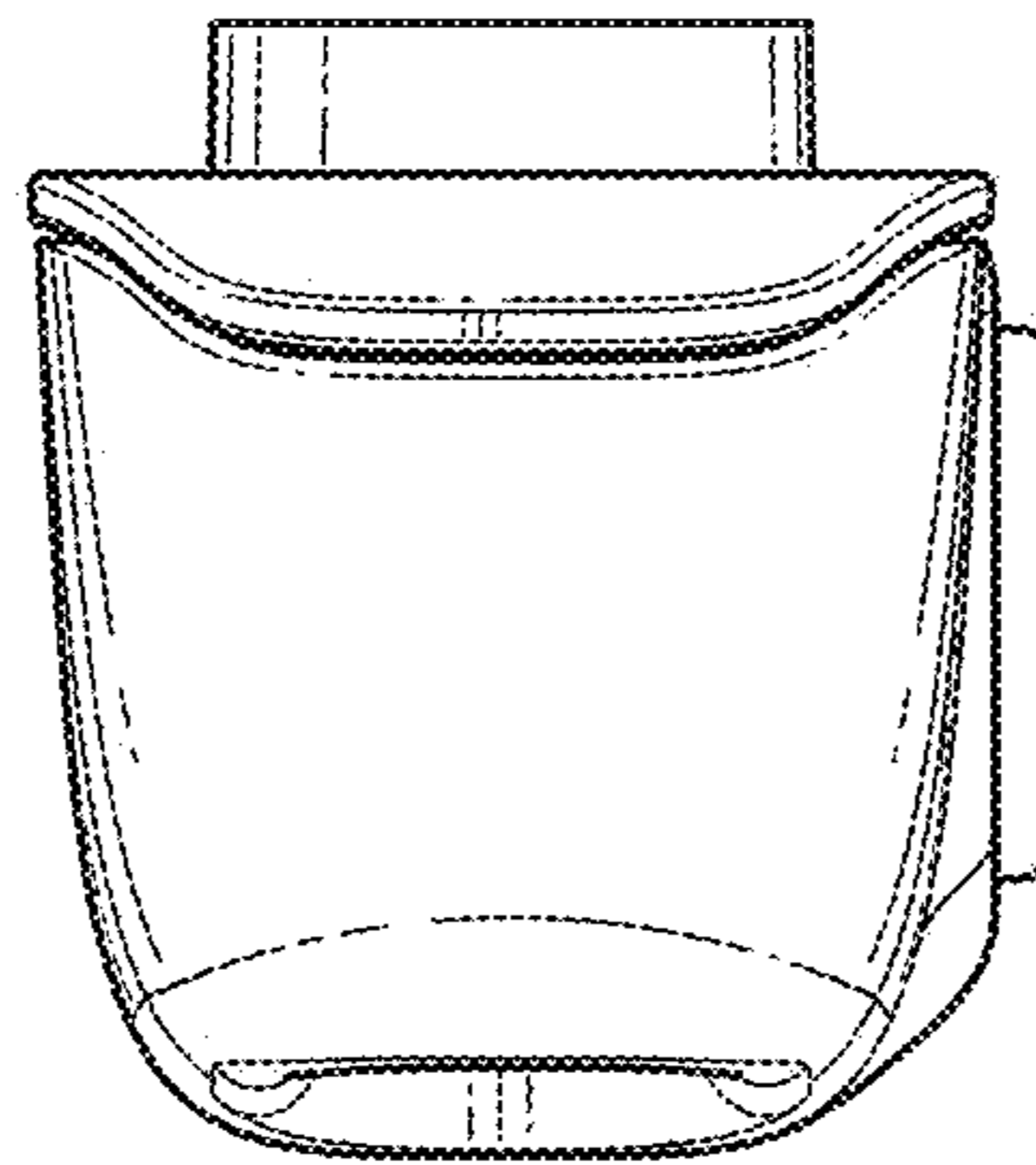


FIG. 5

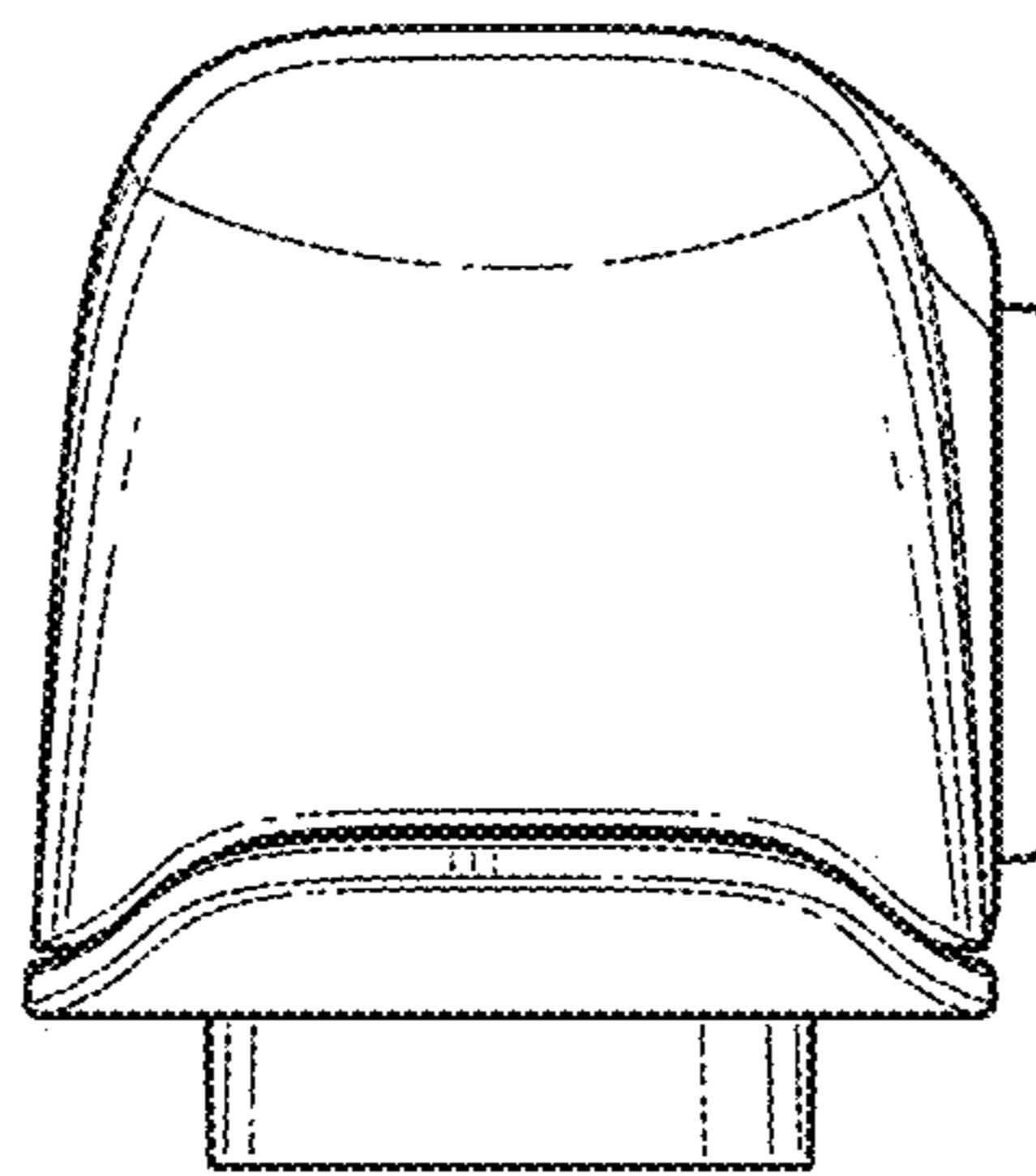


FIG. 6



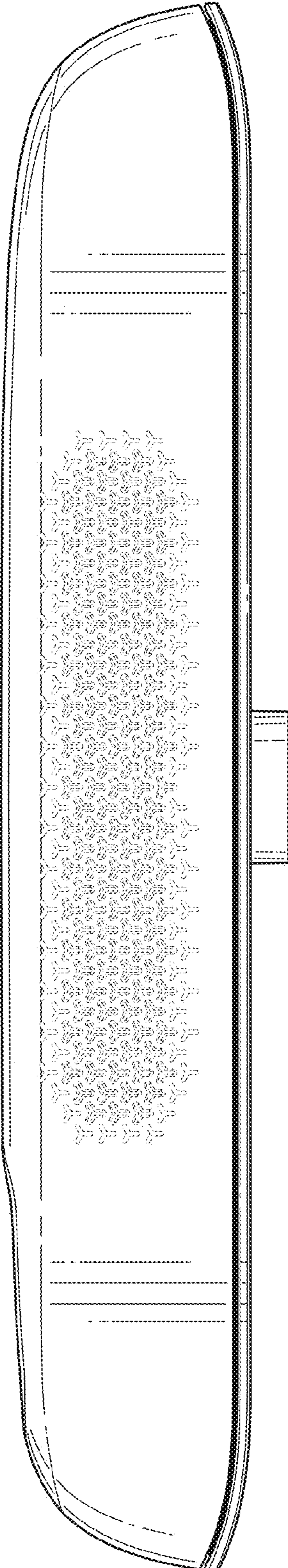


FIG. 7

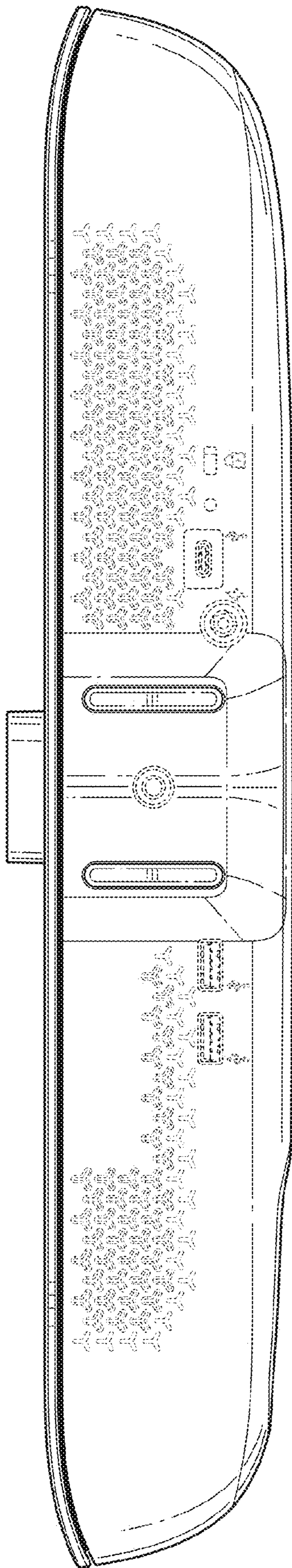


FIG. 8

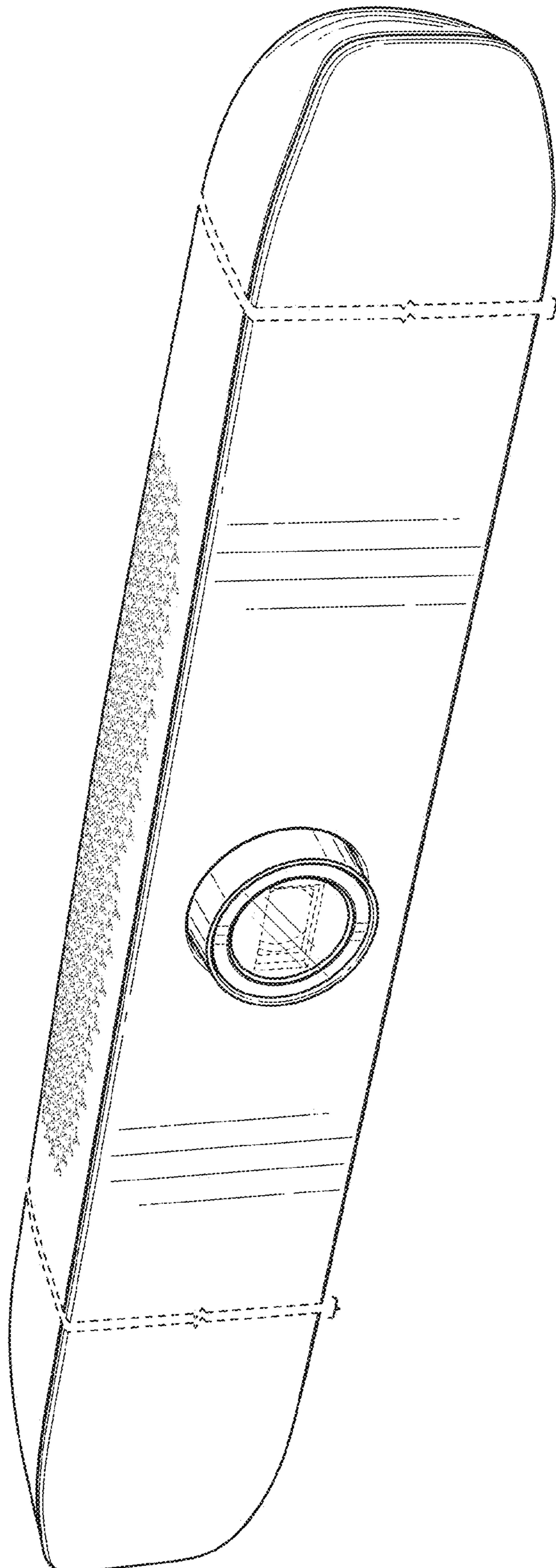


FIG. 9

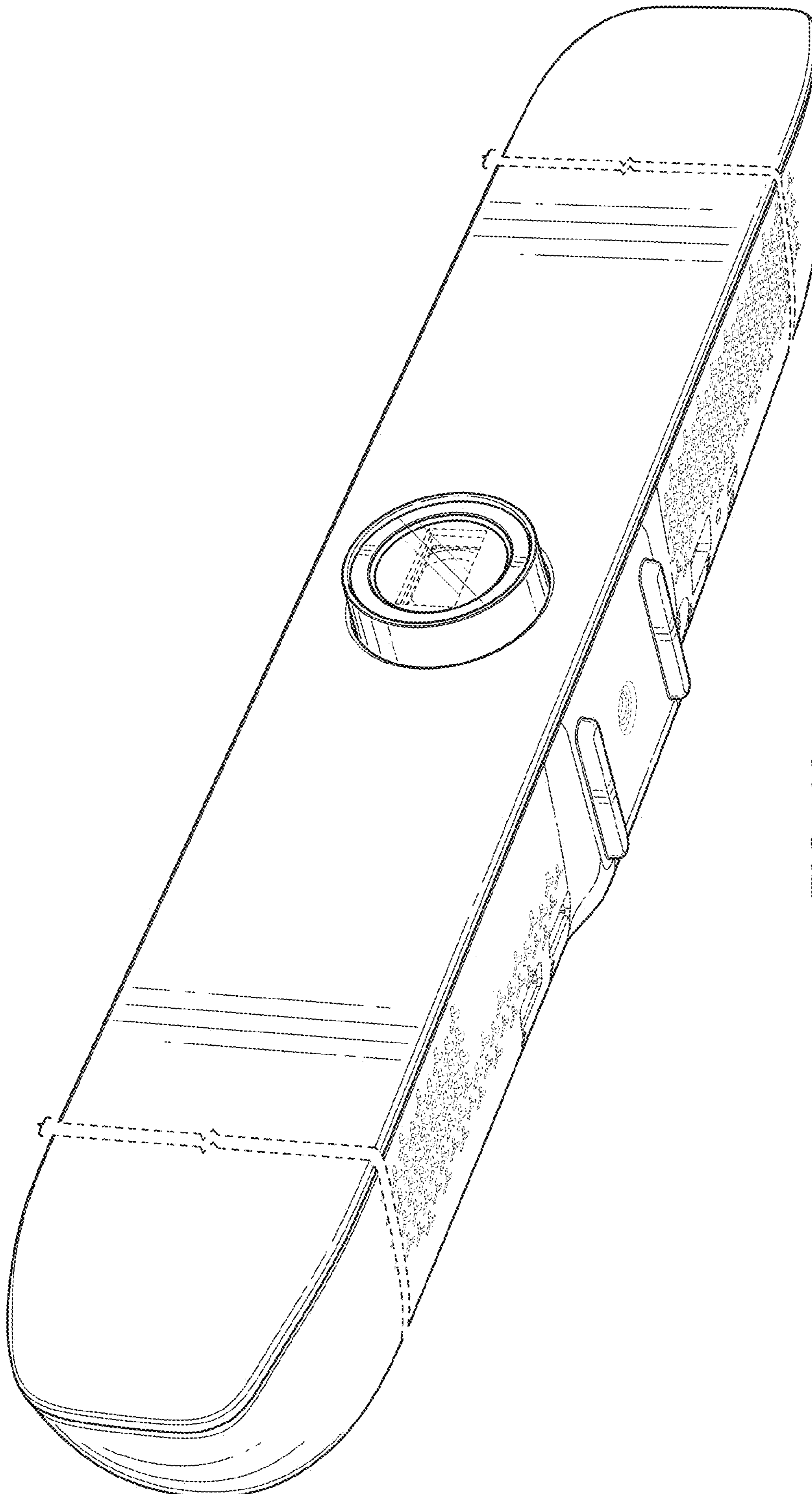


FIG. 10

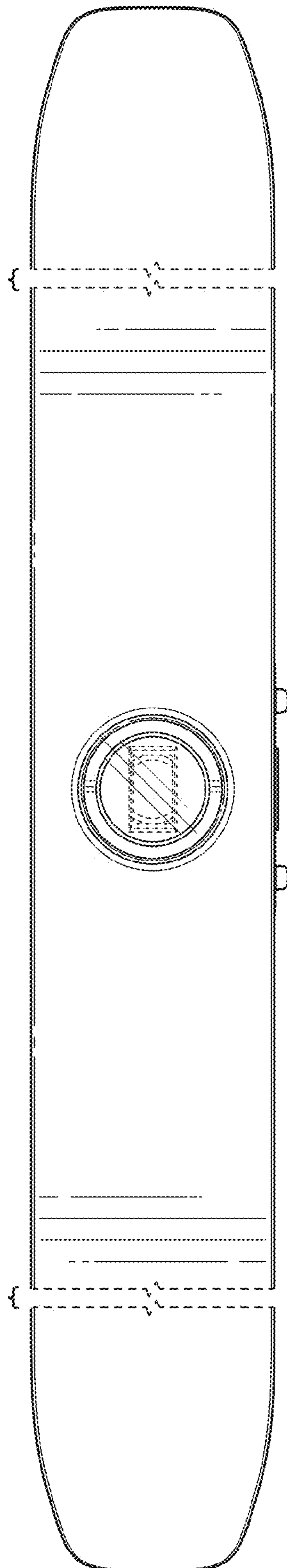


FIG. 11

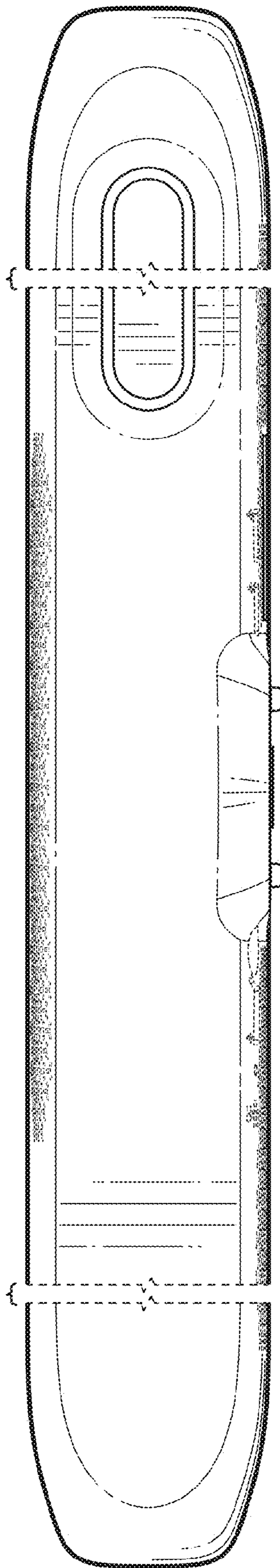


FIG. 12

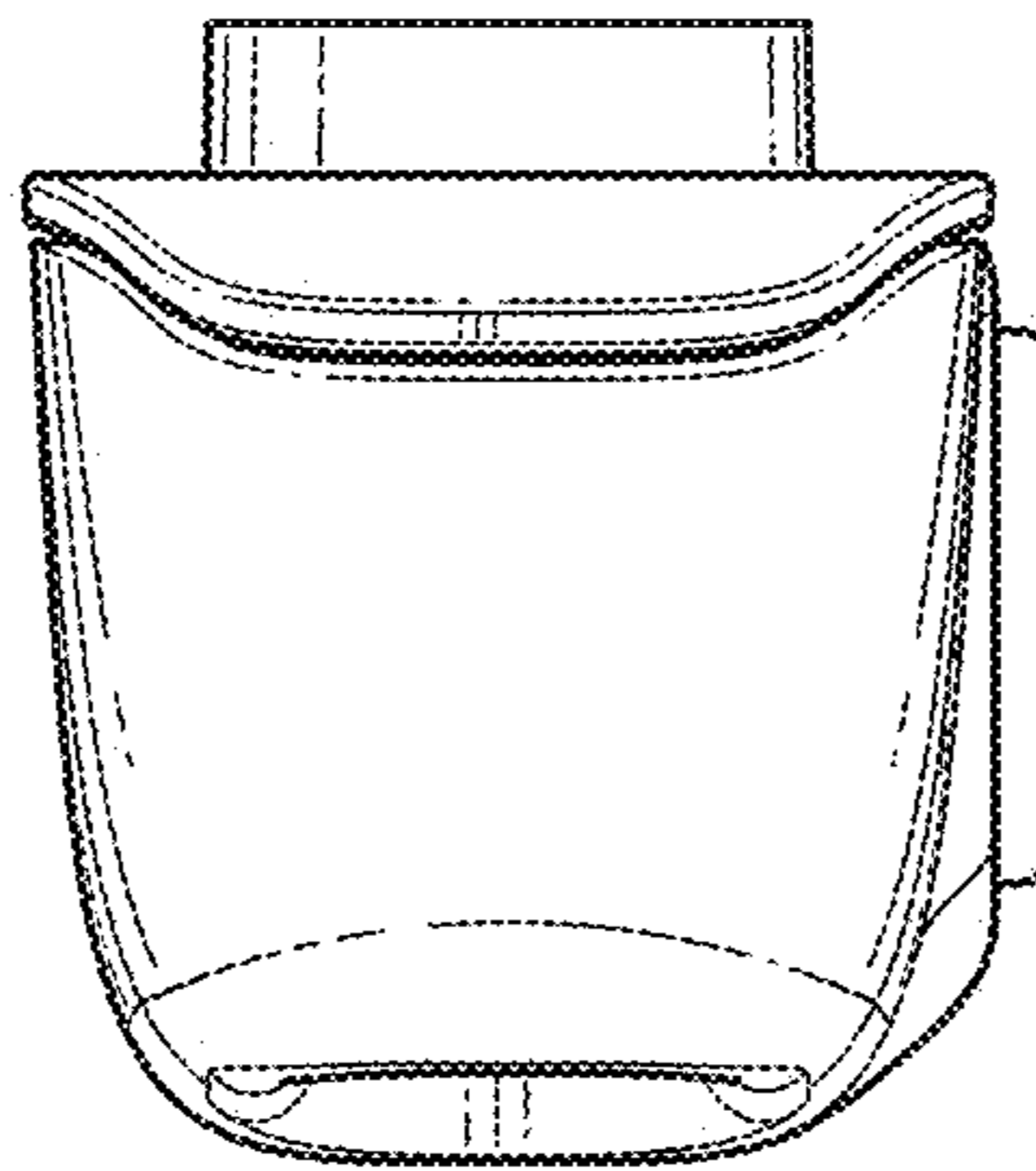


FIG. 13

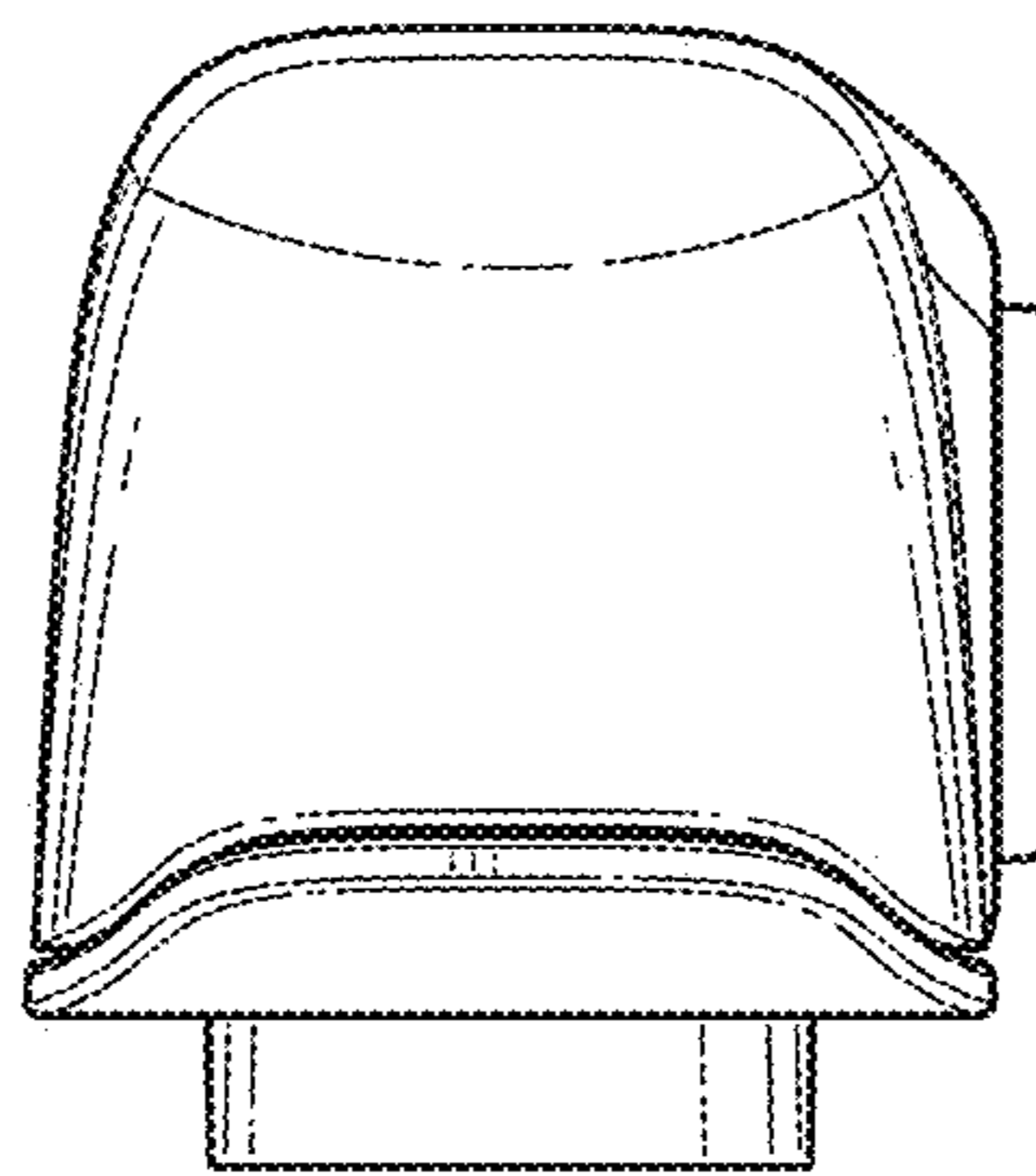


FIG. 14



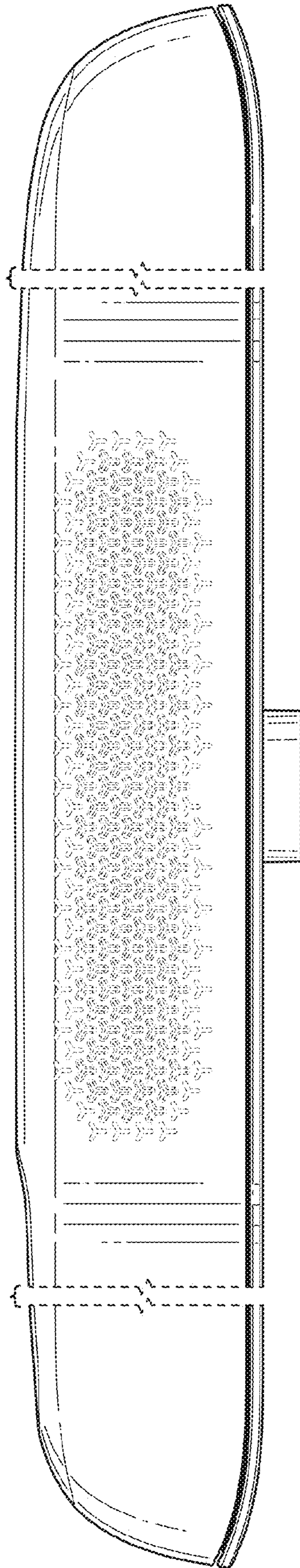


FIG. 15

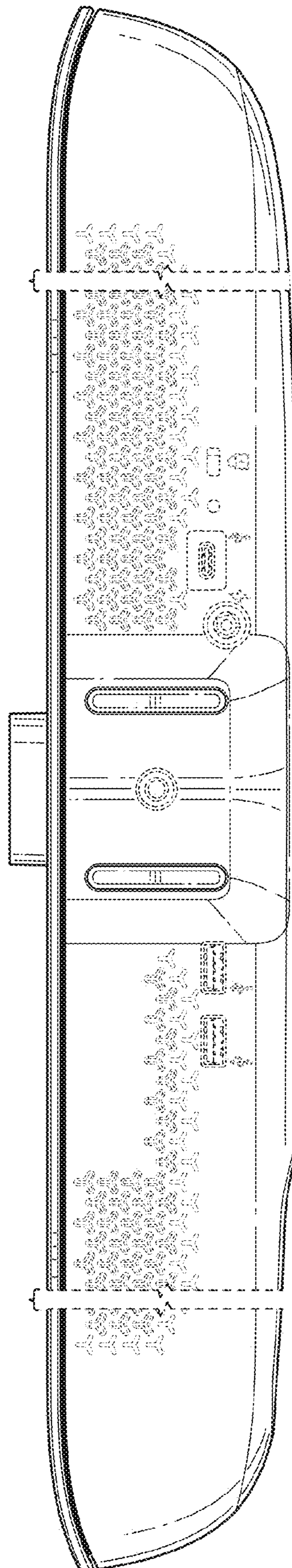


FIG. 16