



US00D986306S

(12) **United States Design Patent** (10) **Patent No.:** **US D986,306 S**
Rosenkvist et al. (45) **Date of Patent:** **** May 16, 2023**

(54) **CAMERA**

D900,191 S * 10/2020 Vozzi D16/203
D918,984 S * 5/2021 Rosenkvist D16/203
D966,384 S * 10/2022 Jiang D16/208

(71) Applicant: **Axis AB**, Lund (SE)

(72) Inventors: **Alexander Rosenkvist**, Lund (SE);
Lars Andersson, Lund (SE); **Hisham Saif**, Lund (SE); **Mariano Vozzi**, Lund (SE); **Jonas Sjögren**, Lund (SE); **Mathias Walter**, Lund (SE)

FOREIGN PATENT DOCUMENTS

CN 306840561 * 9/2021
EM 303255710 6/2016
EM 303421262 10/2016
EM 306125027 1/2019
GB 9008161368-0002 * 9/2020

(73) Assignee: **AXIS AB**, Lund (SE)

(Continued)

(**) Term: **15 Years**

OTHER PUBLICATIONS

(21) Appl. No.: **29/772,383**

Axis P1375 Network Camera, earliest pictured Jul. 2, 2019, [online], [site visited Jan. 23, 2023]. Available via Internet, <URL:https://www.cdw.com/product/axis-p1375-network-camera-network-surveillance-camera/5814098?pfm=rvi> (Year: 2019).*

(22) Filed: **Mar. 1, 2021**

(Continued)

(30) **Foreign Application Priority Data**

Sep. 4, 2020 (EM) 008161368

(51) **LOC (14) Cl.** **16-01**

(52) **U.S. Cl.**
USPC **D16/200**

(58) **Field of Classification Search**
USPC D10/104.1, 109.1, 109.2; D16/200, 202, D16/203, 218, 219
CPC G03B 17/00; G03B 17/02; G03B 19/18; G03B 2219/00

See application file for complete search history.

Primary Examiner — Sanjeev Paul

Assistant Examiner — Breana Copeland

(74) *Attorney, Agent, or Firm* — Tucker Ellis LLP

(57) **CLAIM**

The ornamental design for a camera, as shown and described.

DESCRIPTION

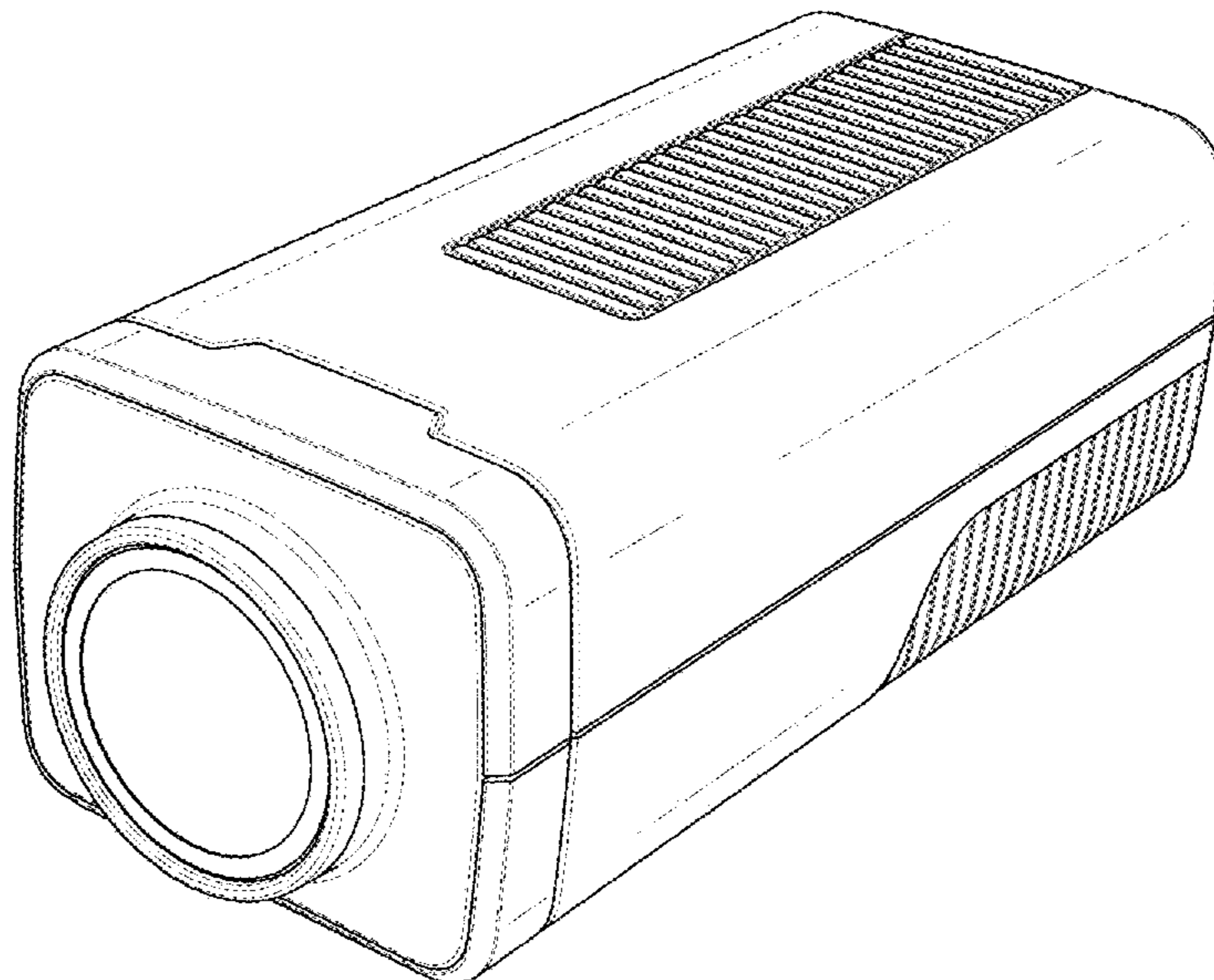
FIG. 1 is a front, left side, top perspective view of a camera embodying our new design;
FIG. 2 is a front view thereof;
FIG. 3 is a rear view thereof;
FIG. 4 is a left side view thereof;
FIG. 5 is a right side view thereof;
FIG. 6 is a top view thereof; and,
FIG. 7 is a bottom view thereof.
The broken lines in the drawings illustrate portions of the camera that form no part of the claimed design.

(56) **References Cited**

U.S. PATENT DOCUMENTS

D386,195 S * 11/1997 Oates D16/202
D826,305 S * 8/2018 Ahman D16/203
D834,632 S * 11/2018 Ahman D16/203
D849,093 S * 5/2019 Bull D16/203
D876,510 S * 2/2020 Garre D16/203
D876,516 S * 2/2020 Garre D16/203
D882,717 S * 4/2020 Delgado Acarreta D22/109
D896,862 S * 9/2020 Sun D16/202

1 Claim, 4 Drawing Sheets



(56)

References Cited

FOREIGN PATENT DOCUMENTS

KR	3009160440001	*	7/2017
TW	189517-0001	*	4/2018

OTHER PUBLICATIONS

Kintronics Sony IP Box Camera, earliest pictured Mar. 10, 2010, [online], [site visited Jan. 23, 2023]. Available via Internet, <URL:https://kintronics.com/products/ip-box-cameras/sony-ip-box-cameras/> (Year: 2010).*

A1 Security Cameras ACTi IP Box Camera, earliest pictured Dec. 31, 2015, [online], [site visited Jan. 23, 2023]. Available via Internet, <URL:https://www.a1securitycameras.com/acti-e210-ip-box-security-camera.html> (Year: 2015).*

Google Search, [online], [site visited Jan. 23, 2023]. Available via Internet <URL:https://www.google.com/search?q=box+security+cameras&tbm=isch&ved=

2ahUKEwj72Y6Ws978AhXwn3IEHREtC9EQ2-cCegQIABAA&oq=box+security+cameras&gs_lcp=CgNpbWcQAzlFCAAQgAQyCAGAEAUQBxAeMgg1ABAFEAcQHjoHCAAQgAQQGD0GCAAQBxAeOgg1ABAIEAcQHIDYCVihEGDGF2gAcAB4AIABIQGIaEMCkgEDMy4xmAEAoAEBqgELZ3dzLXdpei1pbWfAAQE&sclient=img&ei=atzOY_v8DPC_ytMPkdqsiA (Year: 2023).*

* cited by examiner

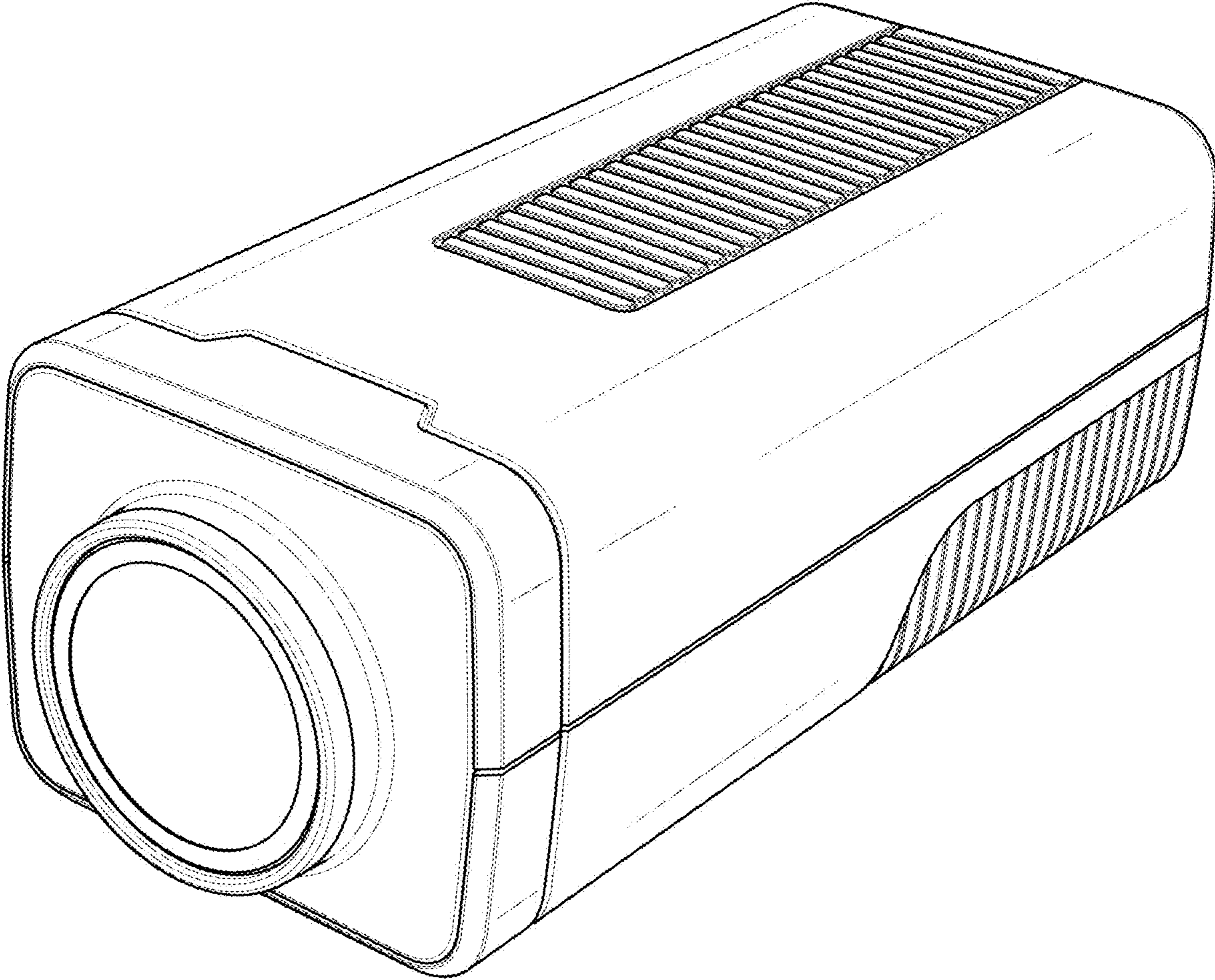


FIG. 1

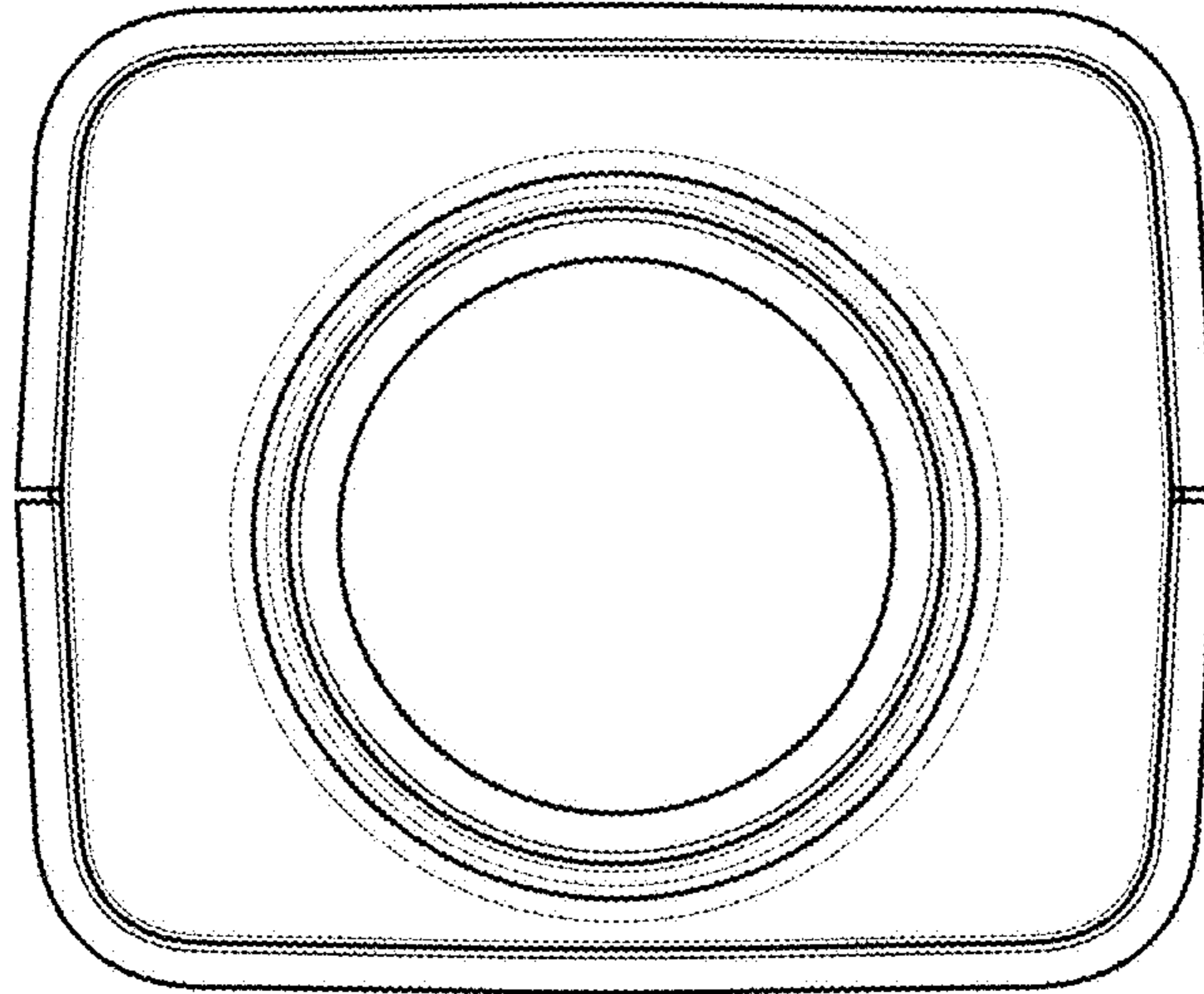


FIG. 2

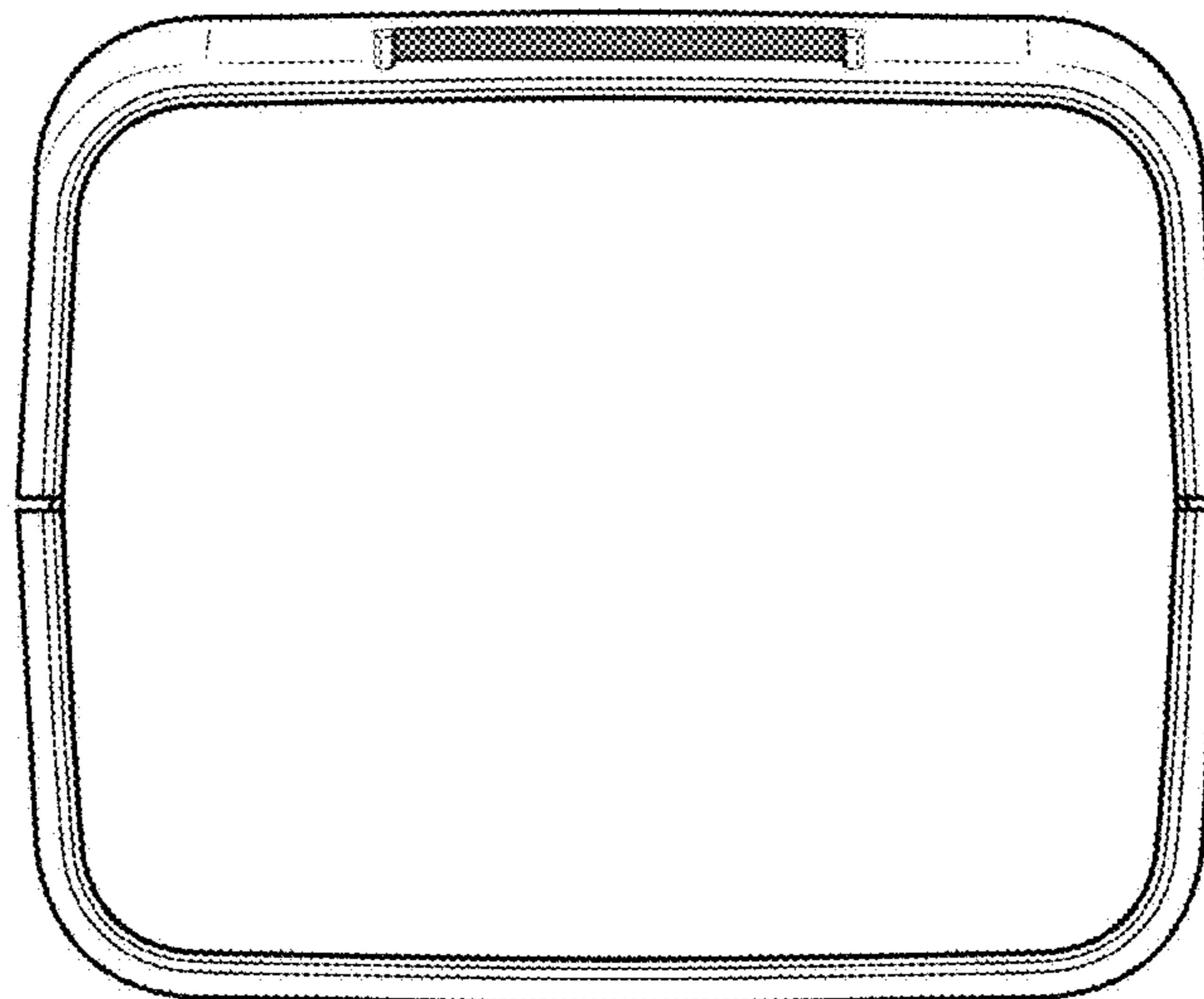


FIG. 3

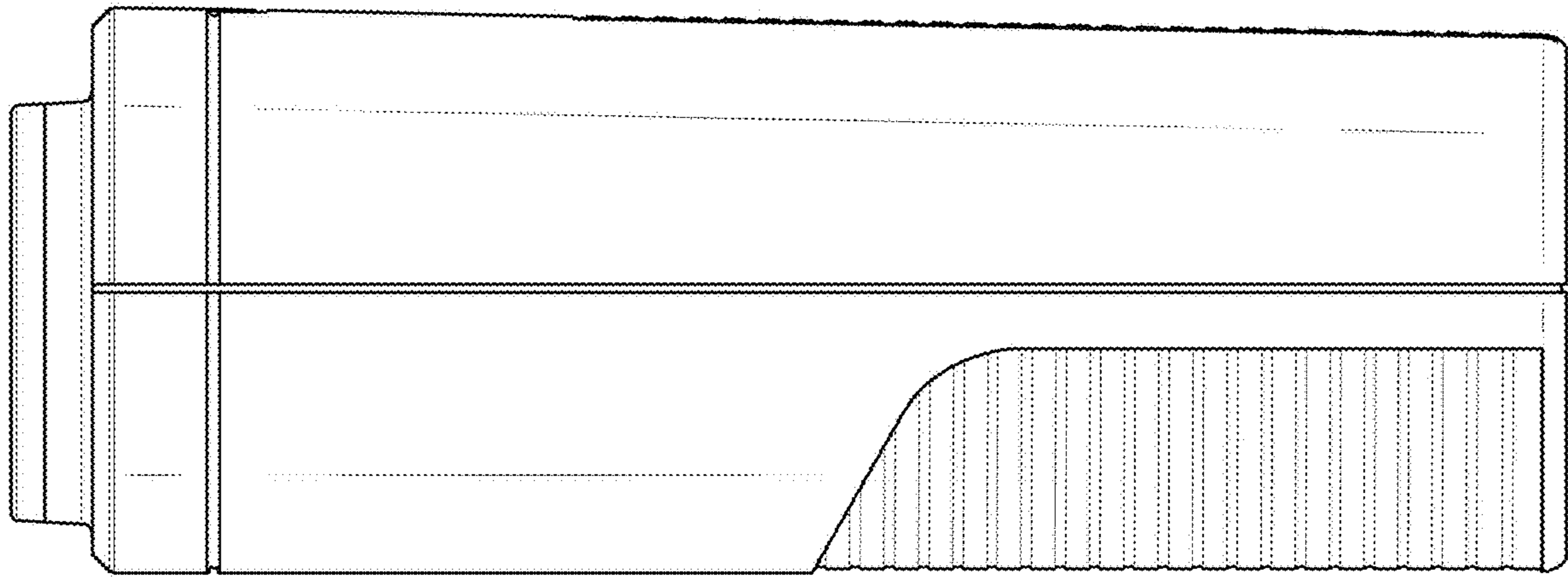


FIG. 4

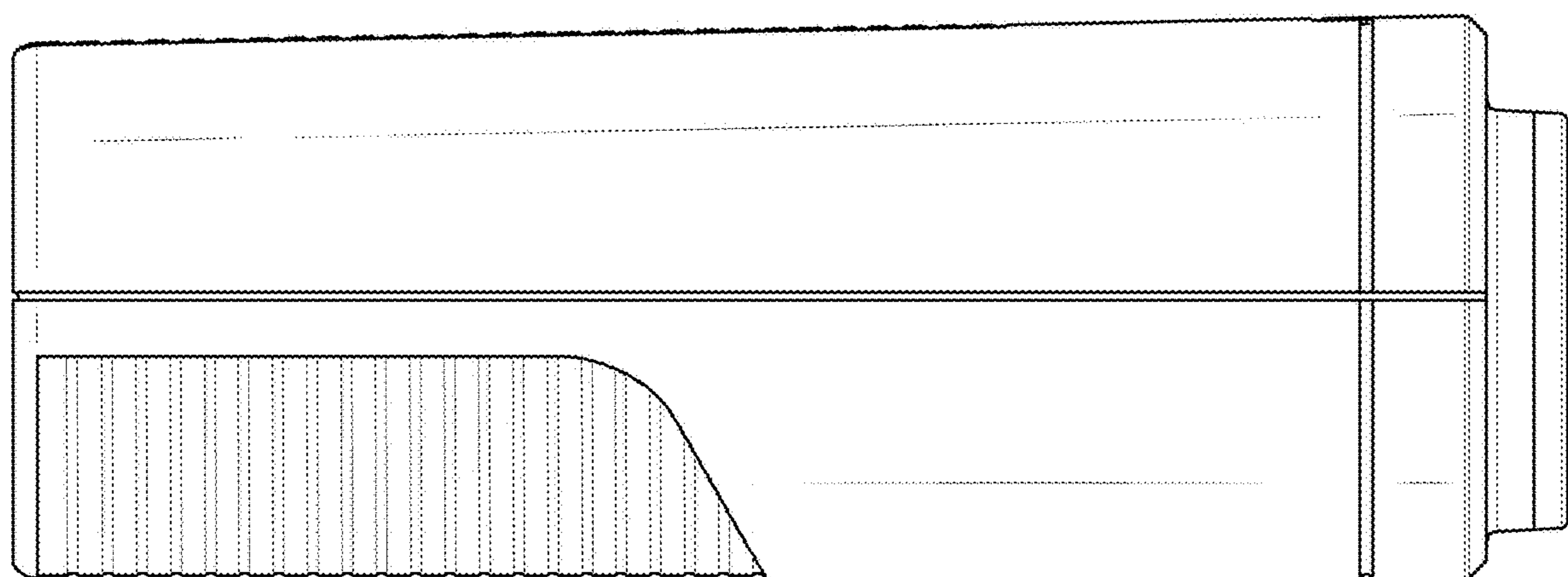


FIG. 5

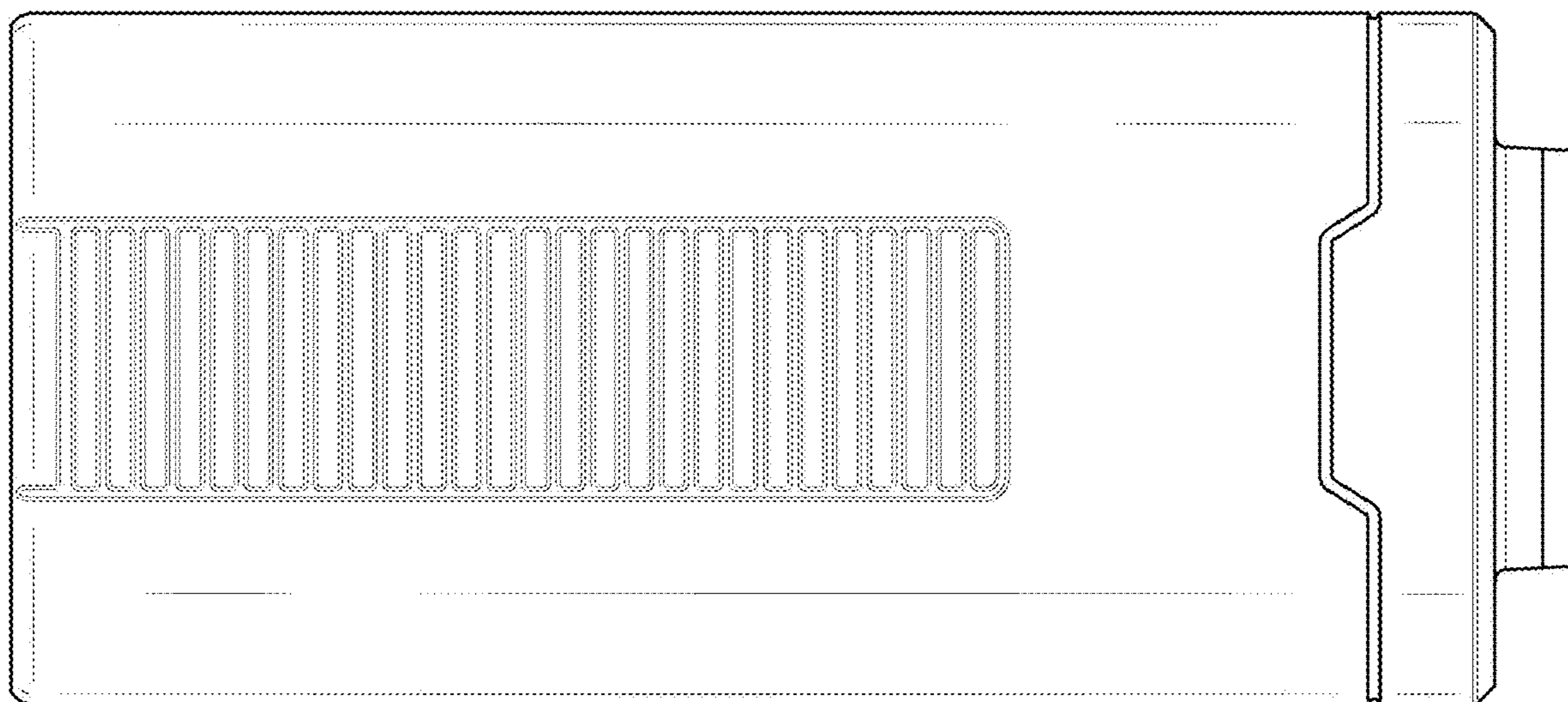


FIG. 6

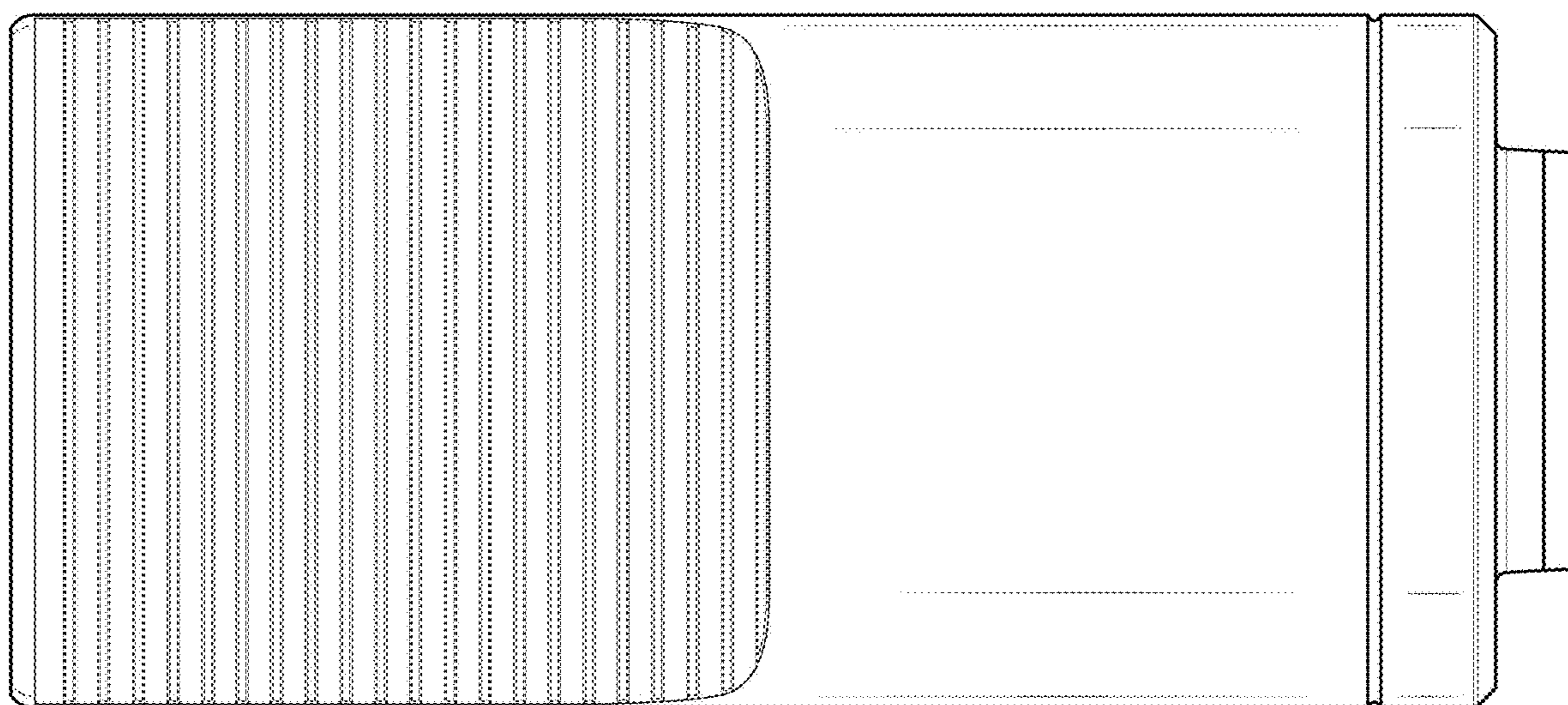


FIG. 7