



US00D986305S

(12) **United States Design Patent** (10) **Patent No.:** **US D986,305 S**
Montano (45) **Date of Patent:** **** May 16, 2023**

- (54) **ADJUSTABLE CLIP-ON MAGNIFYING GLASS**
- (71) Applicant: **Artisan Angler LLC**, Littleton, CO (US)
- (72) Inventor: **Phillip Manuel Montano**, Littleton, CO (US)
- (73) Assignee: **ARTISAN ANGLER LLC**, Littleton, CO (US)
- (**) Term: **15 Years**
- (21) Appl. No.: **29/795,067**
- (22) Filed: **Jun. 16, 2021**
- (51) **LOC (14) Cl.** **16-06**
- (52) **U.S. Cl.**
USPC **D16/135**
- (58) **Field of Classification Search**
USPC D6/309; D16/130, 134, 135, 136, 137
CPC G02B 25/002; G02B 25/02; G02B 25/005; G02B 27/021
See application file for complete search history.

- (56) **References Cited**
U.S. PATENT DOCUMENTS
6,356,400 B1 * 3/2002 Goff G02B 7/002 351/158
D463,824 S * 10/2002 Kan D6/309
D508,063 S * 8/2005 Yip D16/135
D637,220 S * 5/2011 Levine D16/135
D649,994 S * 12/2011 Stubel D16/135
D677,562 S * 3/2013 Kaehler D8/395
D697,787 S * 1/2014 Garcia D8/395
D737,132 S * 8/2015 Garcia D8/395

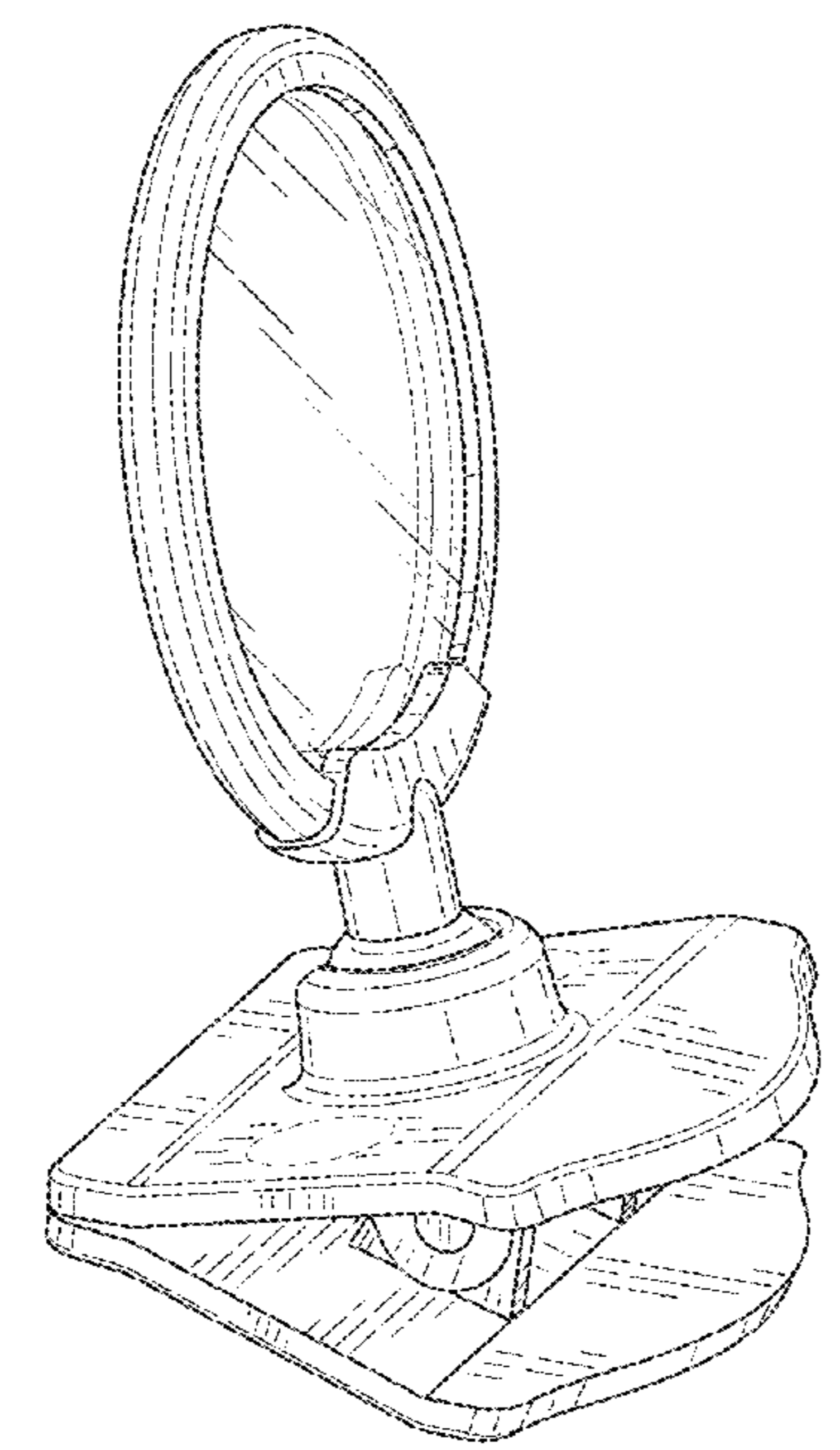
OTHER PUBLICATIONS
“Magnify Clip On Magnifier,” first available Oct. 20, 2021, retrieved Feb. 8, 2023 from <https://www.amazon.com/Hareline-Magnify-Clip-On-Magnifier/dp/B0968PTGJW/> (Year: 2021).*

* cited by examiner
Primary Examiner — Maria J. Edwards
Assistant Examiner — Dina Michelle Hoeynck
(74) *Attorney, Agent, or Firm* — Holzer Patel Drennan

(57) **CLAIM**
I claim the ornamental design for an adjustable clip-on magnifying glass, as shown and described.

DESCRIPTION
FIG. 1 illustrates a front perspective view of an adjustable clip-on magnifying glass in an open orientation according to my new design.
FIG. 2 illustrates a front perspective view of an adjustable clip-on magnifying glass in a closed orientation according to my new design.
FIG. 3 illustrates a rear perspective view of an adjustable clip-on magnifying glass in an open orientation according to my new design.
FIG. 4 illustrates a rear perspective view of an adjustable clip-on magnifying glass in a closed orientation according to my new design.
FIG. 5 illustrates a bottom plan view thereof.
FIG. 6 illustrates a top plan view thereof.
FIG. 7 illustrates a right-side elevation view thereof.
FIG. 8 illustrates a left-side elevation view thereof.
FIG. 9 illustrates a front elevation view thereof; and
FIG. 10 illustrates a rear elevation view thereof.
The broken lines in the figures show portions of the adjustable clip-on magnifying glass that form no part of the claimed design.

1 Claim, 10 Drawing Sheets



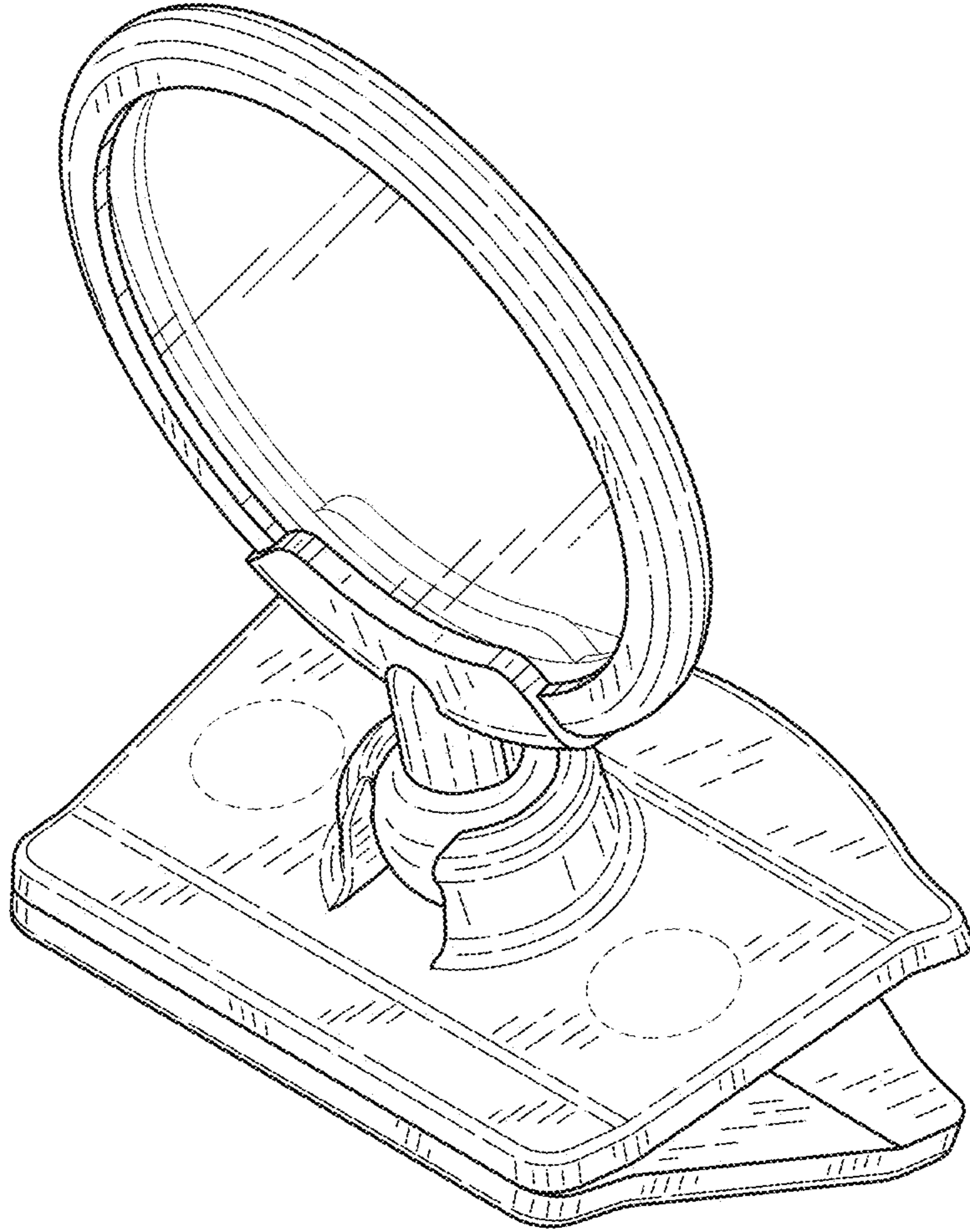


FIG. 1

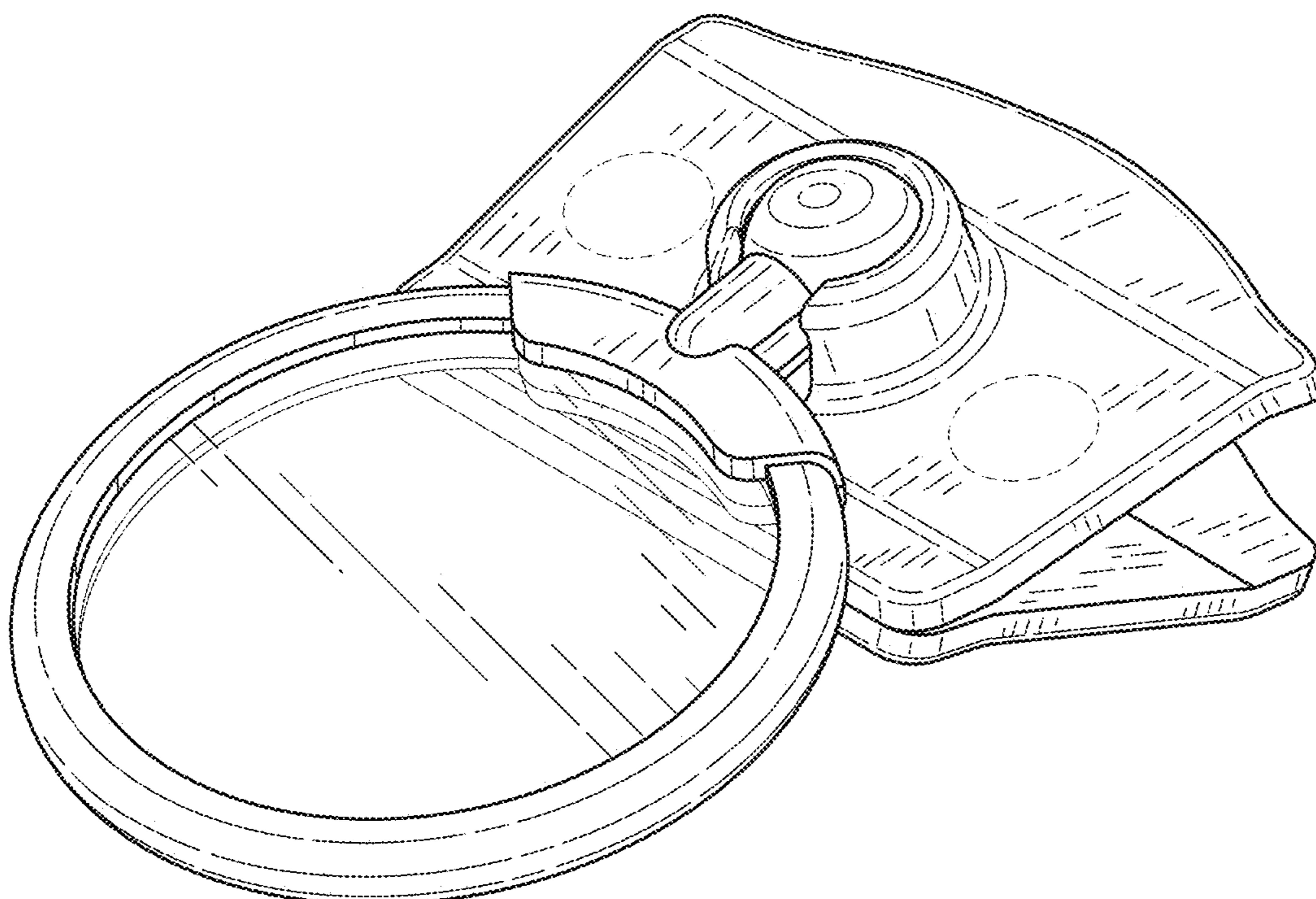


FIG.2

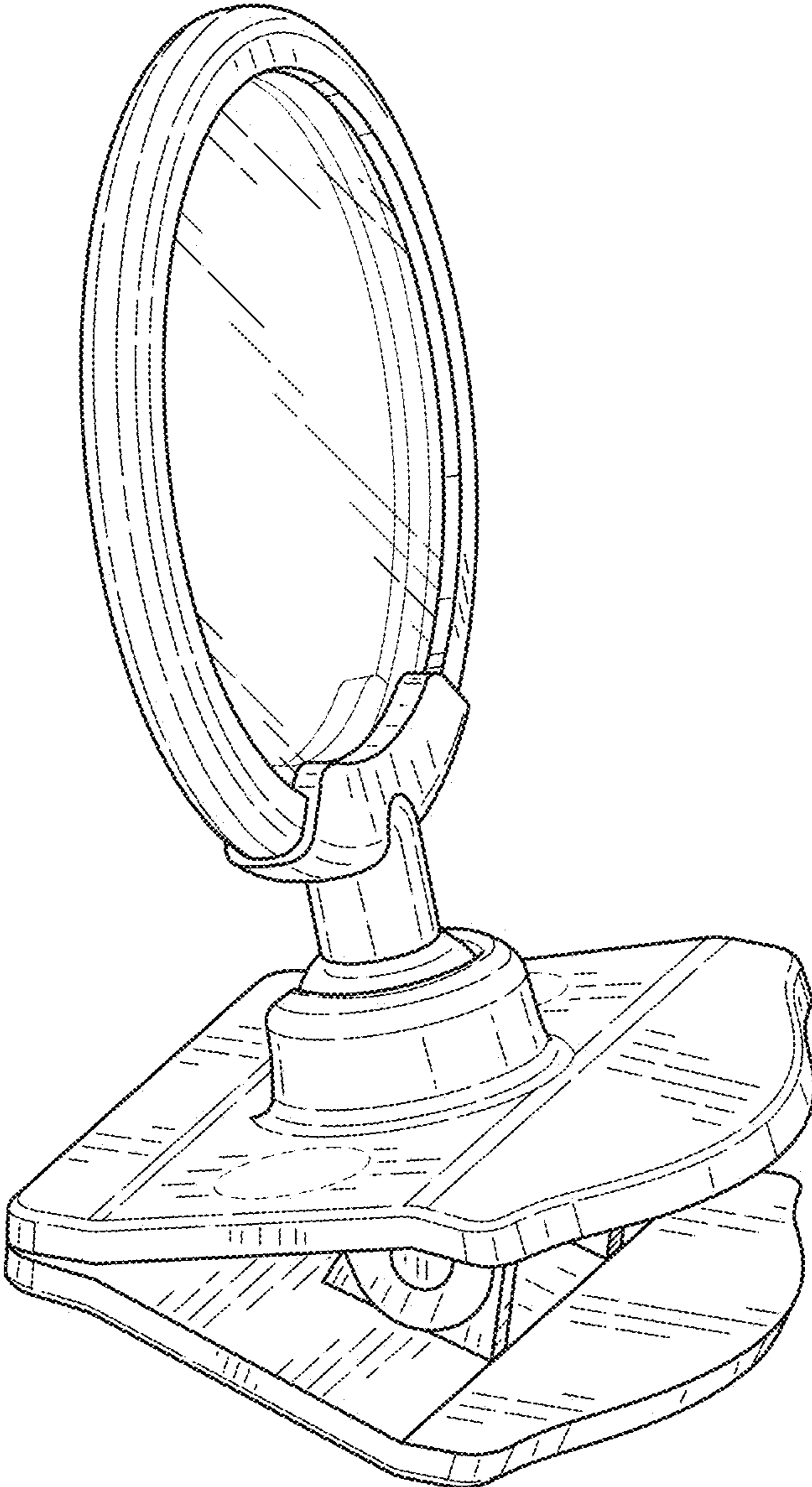


FIG.3

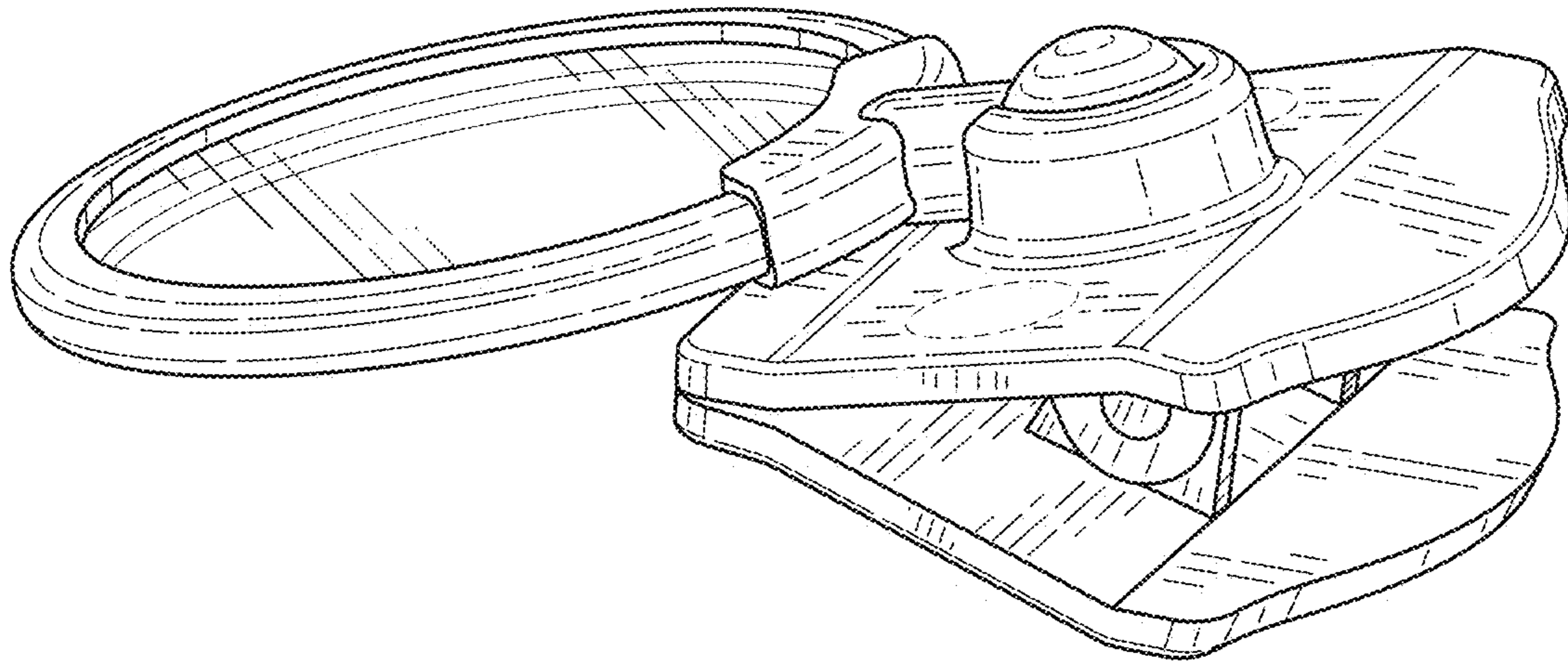


FIG.4

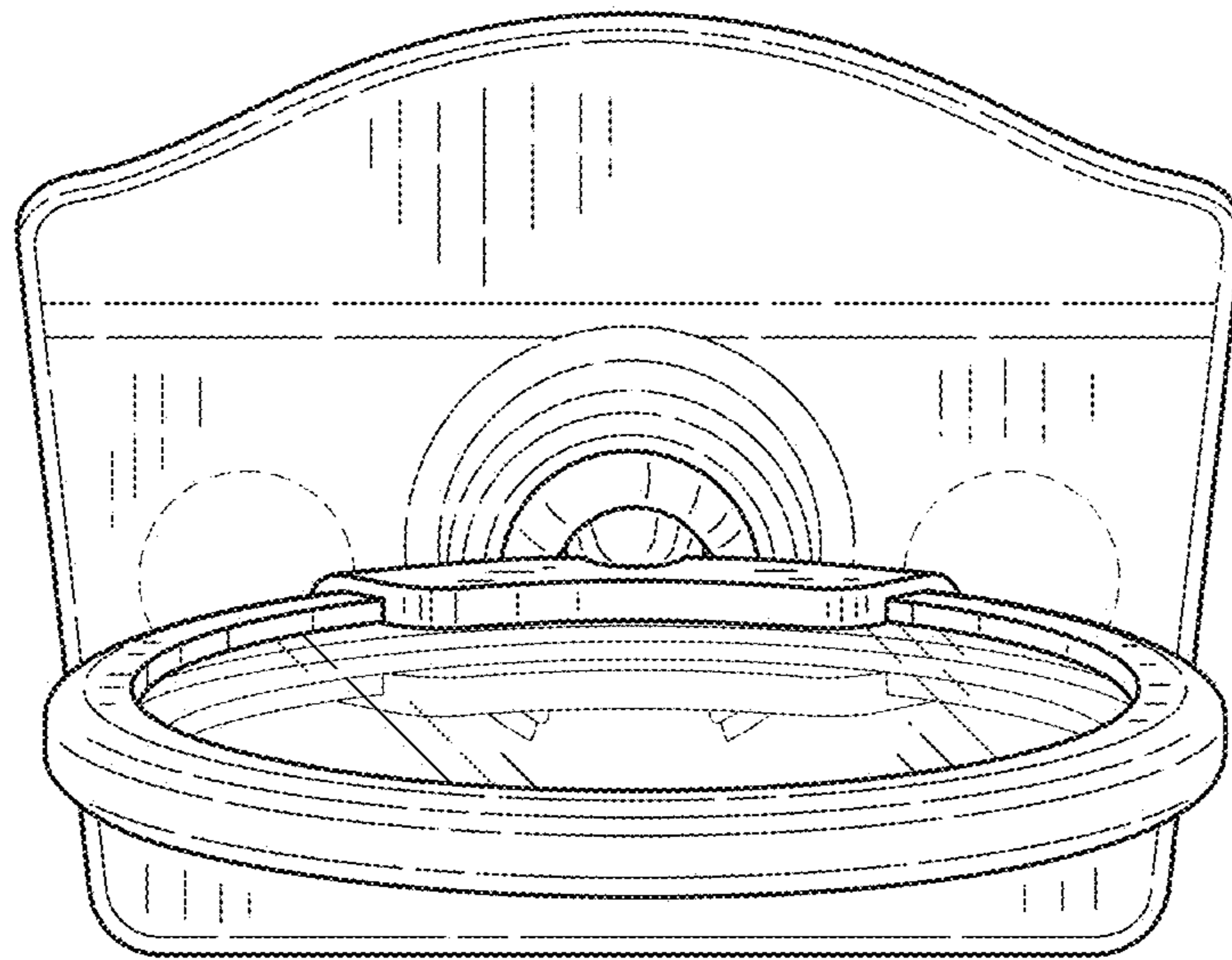


FIG. 5

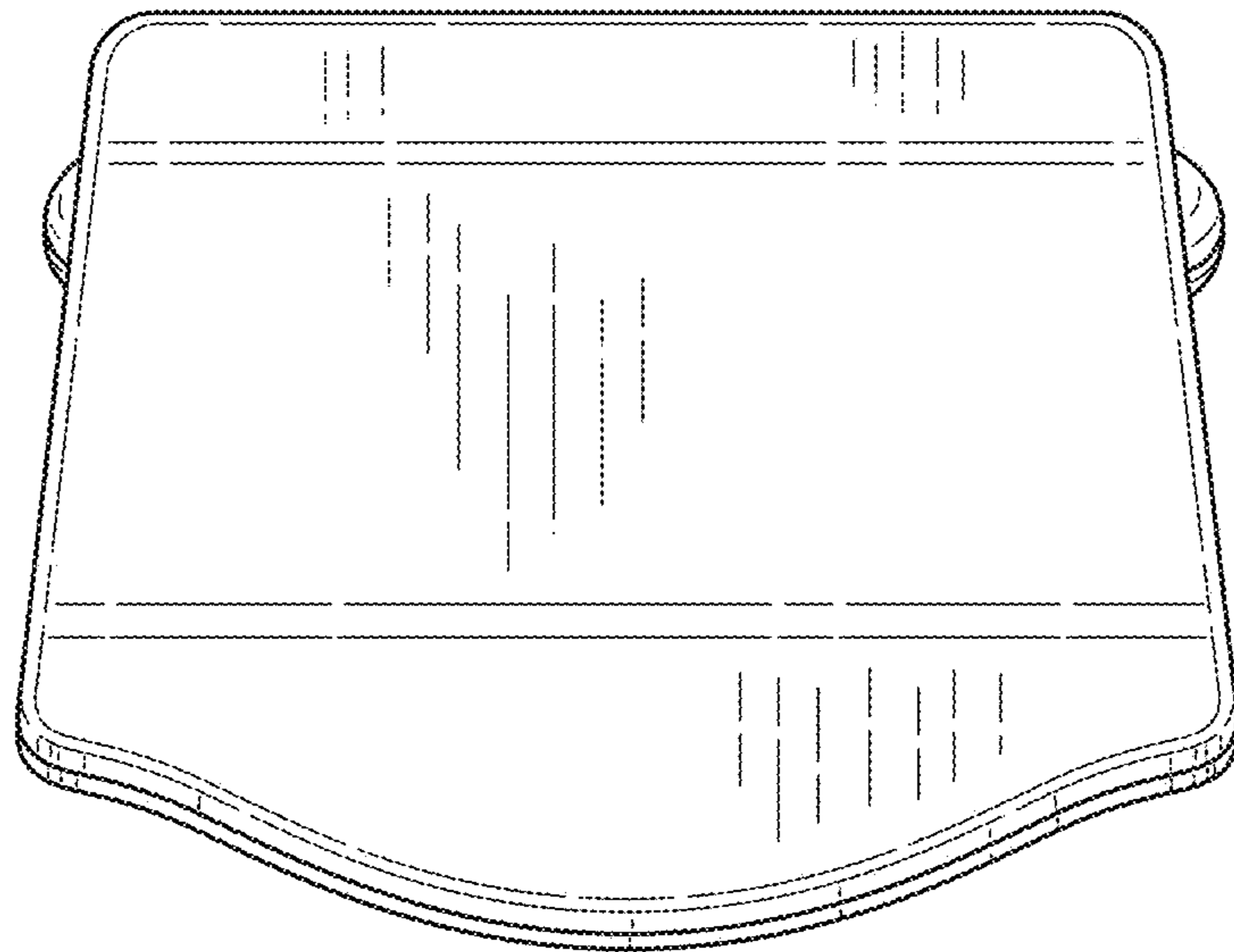


FIG.6

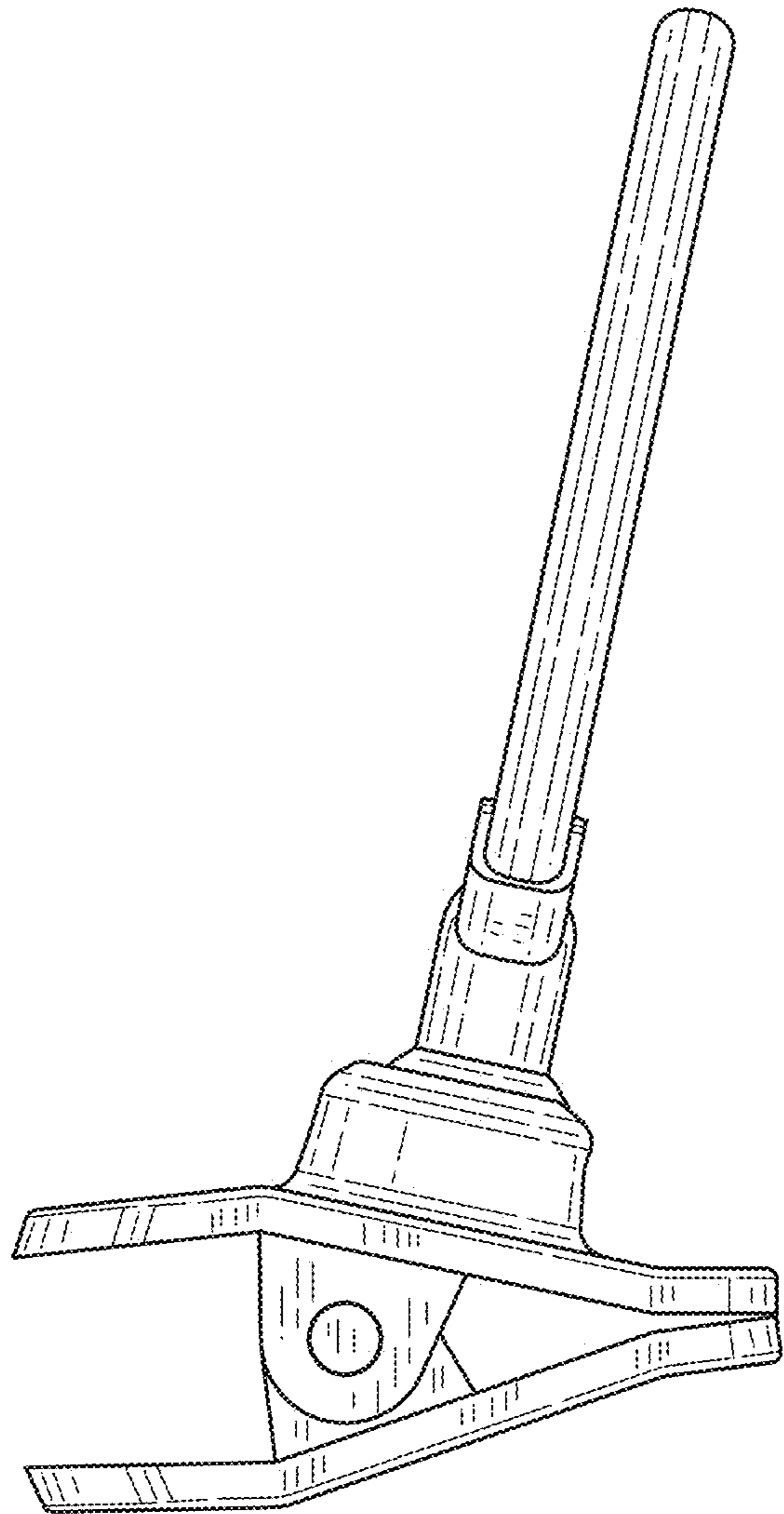


FIG.7

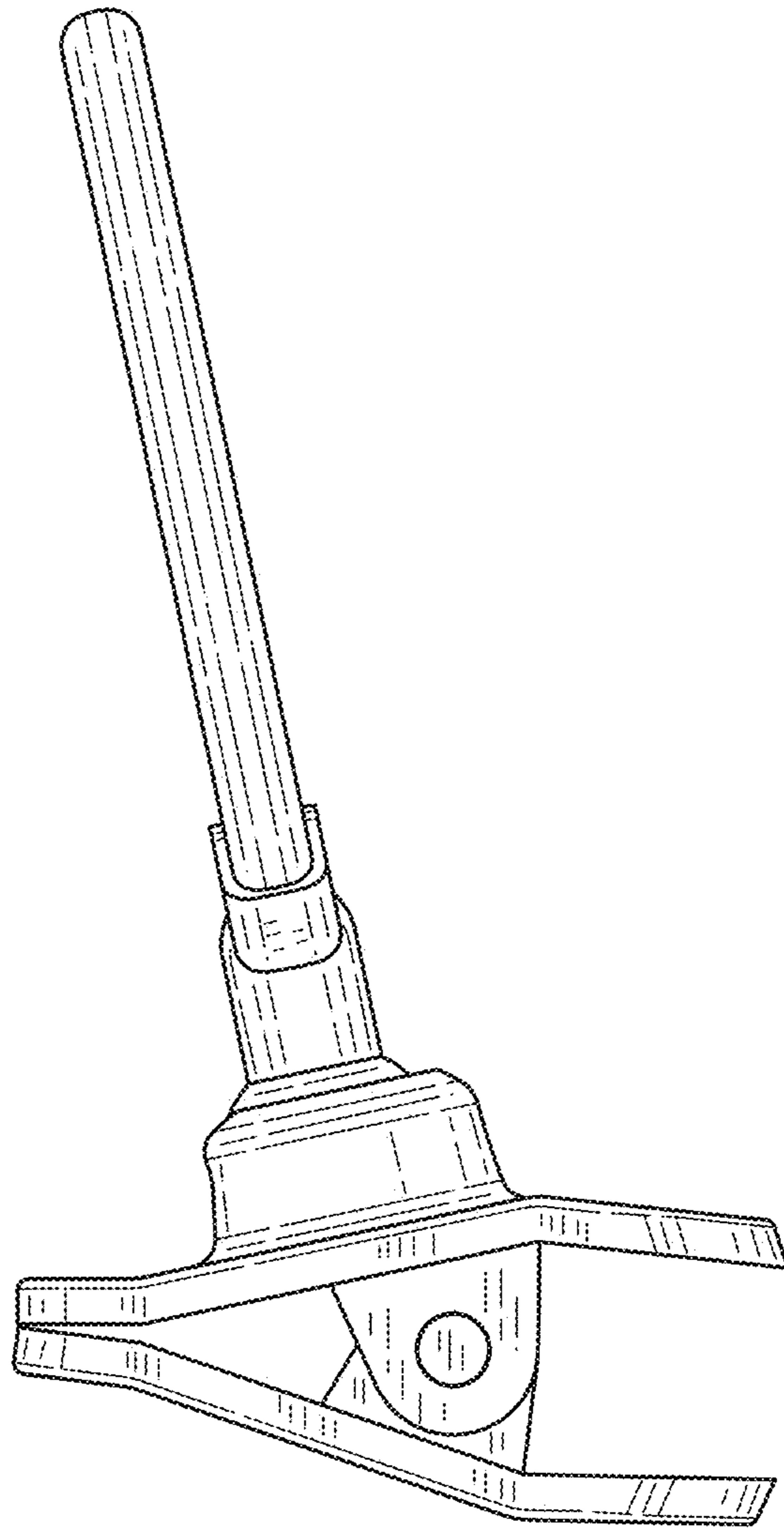


FIG.8

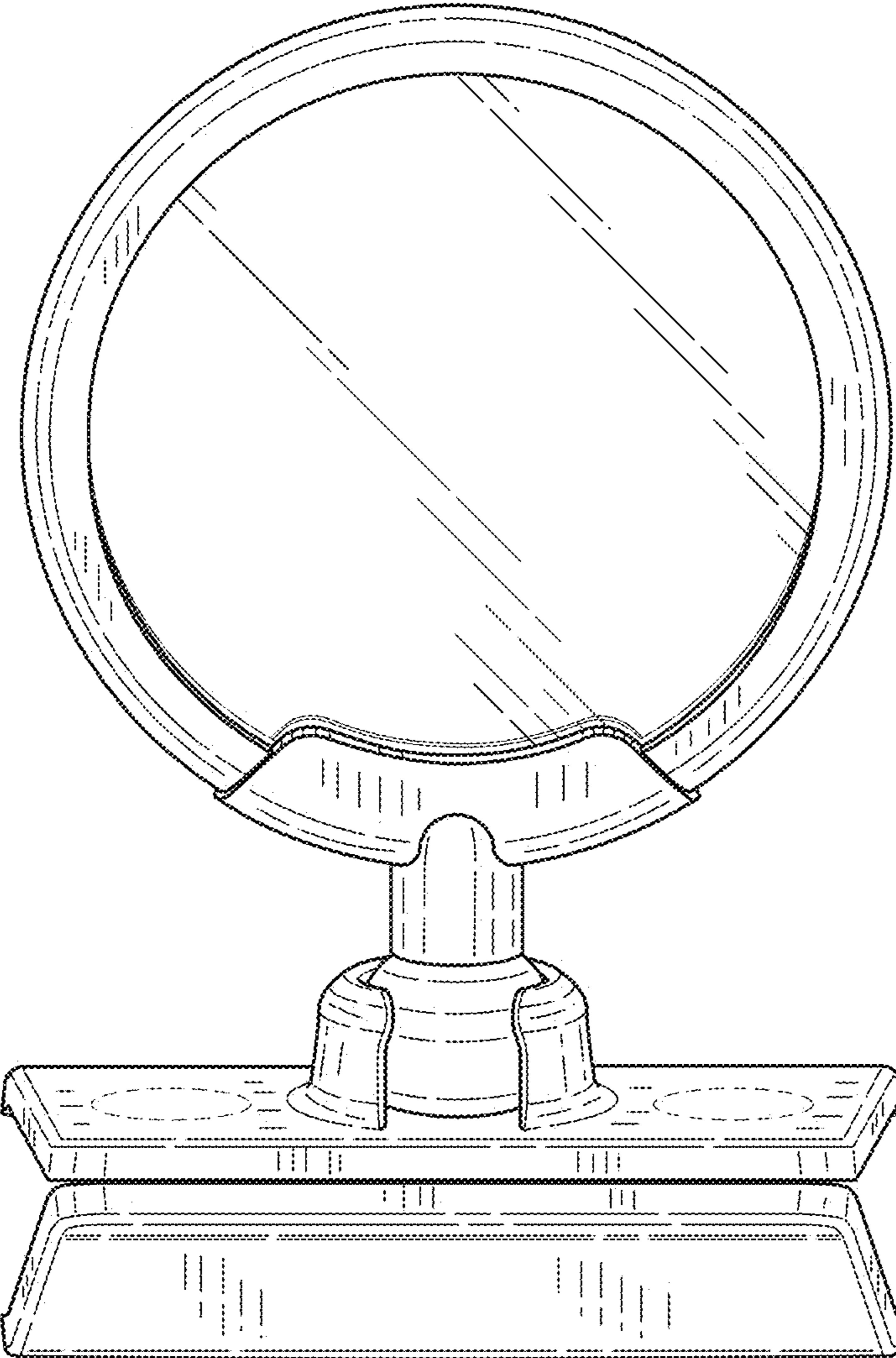


FIG.9

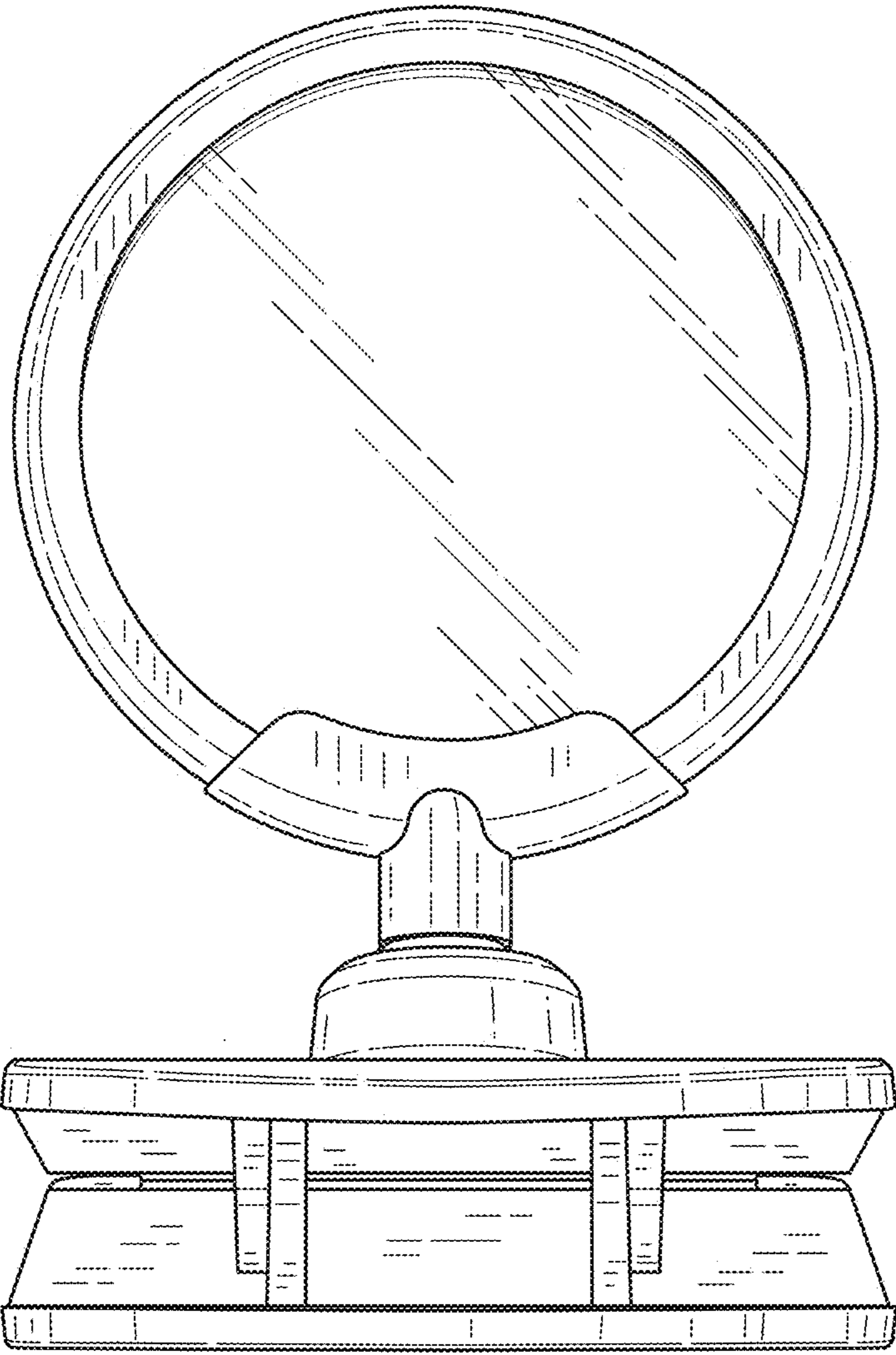


FIG. 10