



US00D986304S

(12) **United States Design Patent** (10) **Patent No.:** **US D986,304 S**  
**Huang** (45) **Date of Patent:** **\*\* May 16, 2023**

- (54) **WINDER FOR WATCHES**
- (71) Applicant: **Yuemi Huang**, Shenzhen (CN)
- (72) Inventor: **Yuemi Huang**, Shenzhen (CN)
- (\*\*) Term: **15 Years**
- (21) Appl. No.: **29/853,236**
- (22) Filed: **Sep. 14, 2022**

D722,633 S *	2/2015	Au	.....	D15/199
D781,944 S *	3/2017	Lee	.....	D15/199
D886,879 S *	6/2020	Liu	.....	D15/199
D886,880 S *	6/2020	Liu	.....	D15/199
D905,144 S *	12/2020	Liang	.....	D15/199
D905,773 S *	12/2020	Liang	.....	D15/199
D930,059 S *	9/2021	Huang	.....	D15/199
D931,923 S *	9/2021	Huang	.....	D15/199
D931,924 S *	9/2021	Huang	.....	D15/199
D932,532 S *	10/2021	Huang	.....	D15/199
D937,921 S *	12/2021	Huang	.....	D15/199
D939,005 S *	12/2021	Huang	.....	D15/199
D945,508 S *	3/2022	Huang	.....	D15/199
D952,722 S *	5/2022	Huang	.....	D15/199
D952,723 S *	5/2022	Huang	.....	D15/199

**Related U.S. Application Data**

- (62) Division of application No. 29/755,190, filed on Oct. 19, 2020.

\* cited by examiner

(30) **Foreign Application Priority Data**

Apr. 23, 2020 (EM) ..... 007832316

- (51) **LOC (14) Cl.** ..... **15-99**

- (52) **U.S. Cl.**  
USPC ..... **D15/199**

- (58) **Field of Classification Search**  
USPC ..... D3/273, 274, 278, 283, 284, 286, 288,  
D3/294, 302, 309, 310, 315, 319, 903,  
D3/201, 208, 217, 266; D15/199  
CPC ..... G04B 5/00; G04D 7/009  
See application file for complete search history.

(56) **References Cited**

**U.S. PATENT DOCUMENTS**

D511,537 S *	11/2005	Huang	.....	G04D 7/009	D15/199
D512,448 S *	12/2005	Christianson	.....	D15/199	
D513,024 S *	12/2005	Christianson	.....	G04D 7/009	D15/199
D543,054 S *	5/2007	Au	.....	G04D 7/009	D3/298
D556,227 S *	11/2007	Au	.....	D15/199	

*Primary Examiner* — Michael C Stout  
*Assistant Examiner* — Fritzgerald L Butac  
(74) *Attorney, Agent, or Firm* — Westbridge IP LLC

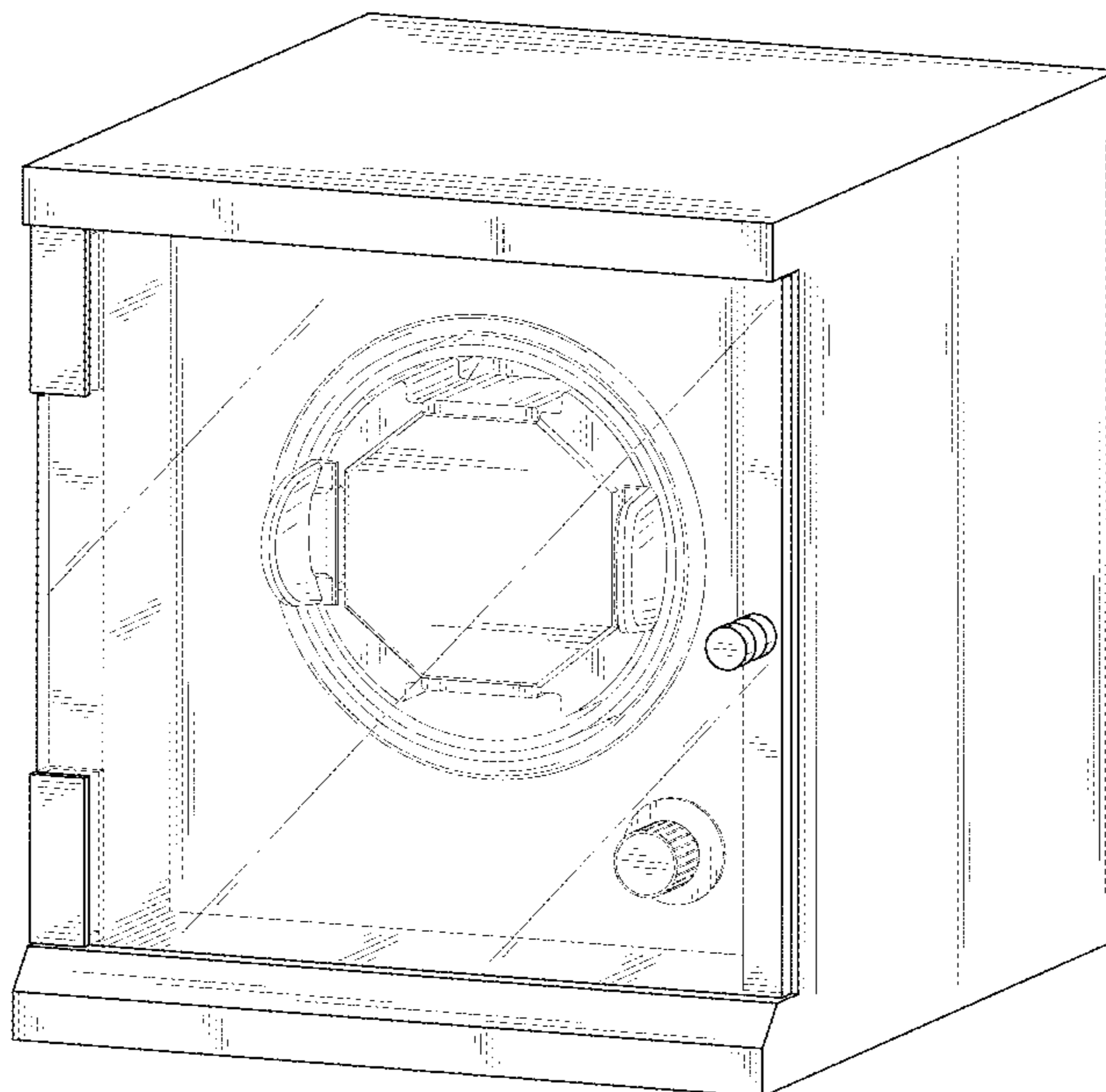
(57) **CLAIM**

The ornamental design for a winder for watches, as shown and described.

**DESCRIPTION**

FIG. 1 is a front perspective view of a winder for watches showing my new design;  
FIG. 2 is a rear perspective view thereof;  
FIG. 3 is a front elevational view thereof;  
FIG. 4 is a rear elevational view thereof;  
FIG. 5 is a left side elevational view thereof;  
FIG. 6 is a right side elevational view thereof;  
FIG. 7 is a top plan view thereof; and,  
FIG. 8 is a bottom plan view thereof.  
The broken lines in the drawings illustrate the portions of the winder for watches which form no part of the claimed design.

**1 Claim, 8 Drawing Sheets**



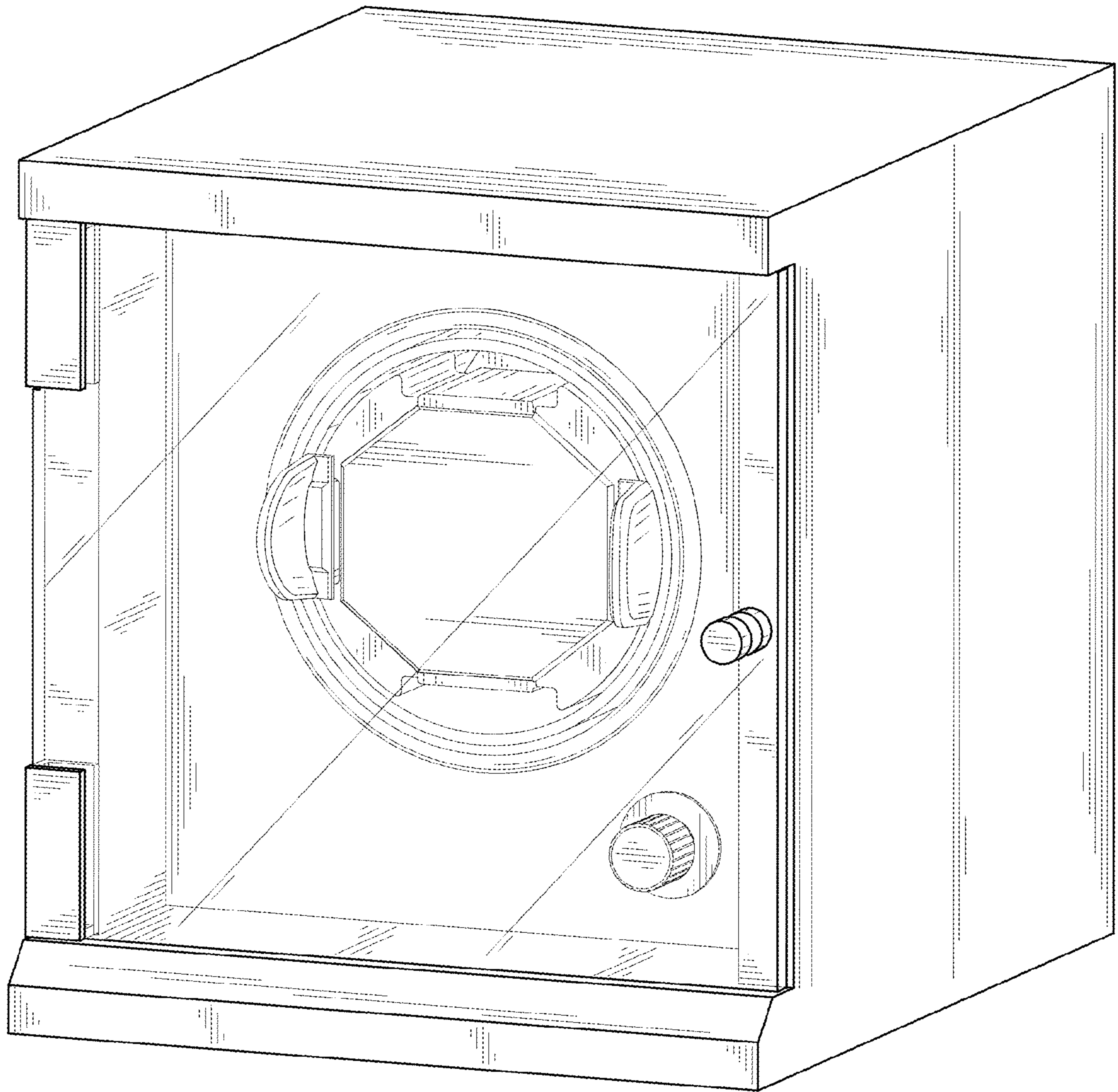


FIG. 1

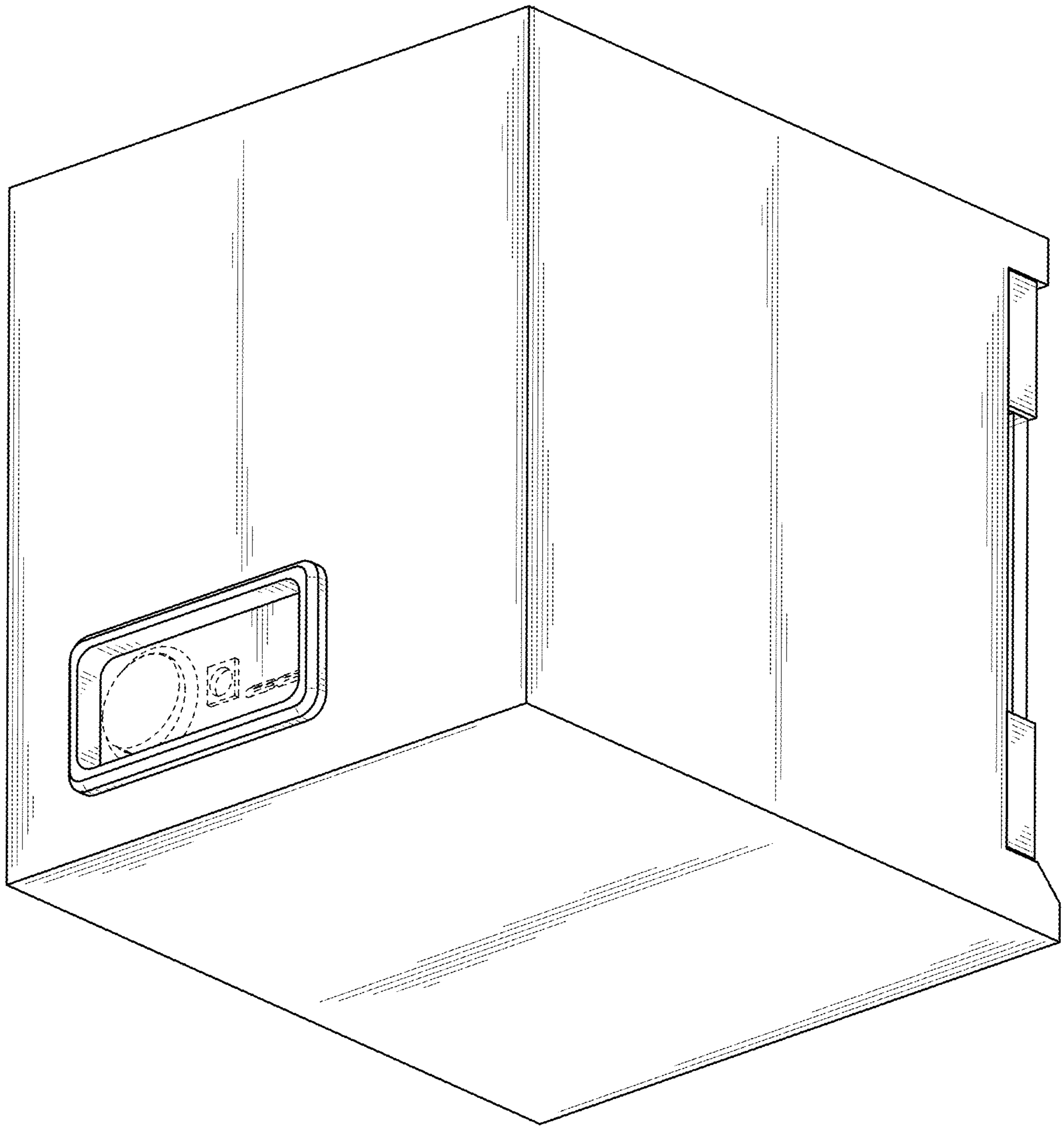


FIG. 2



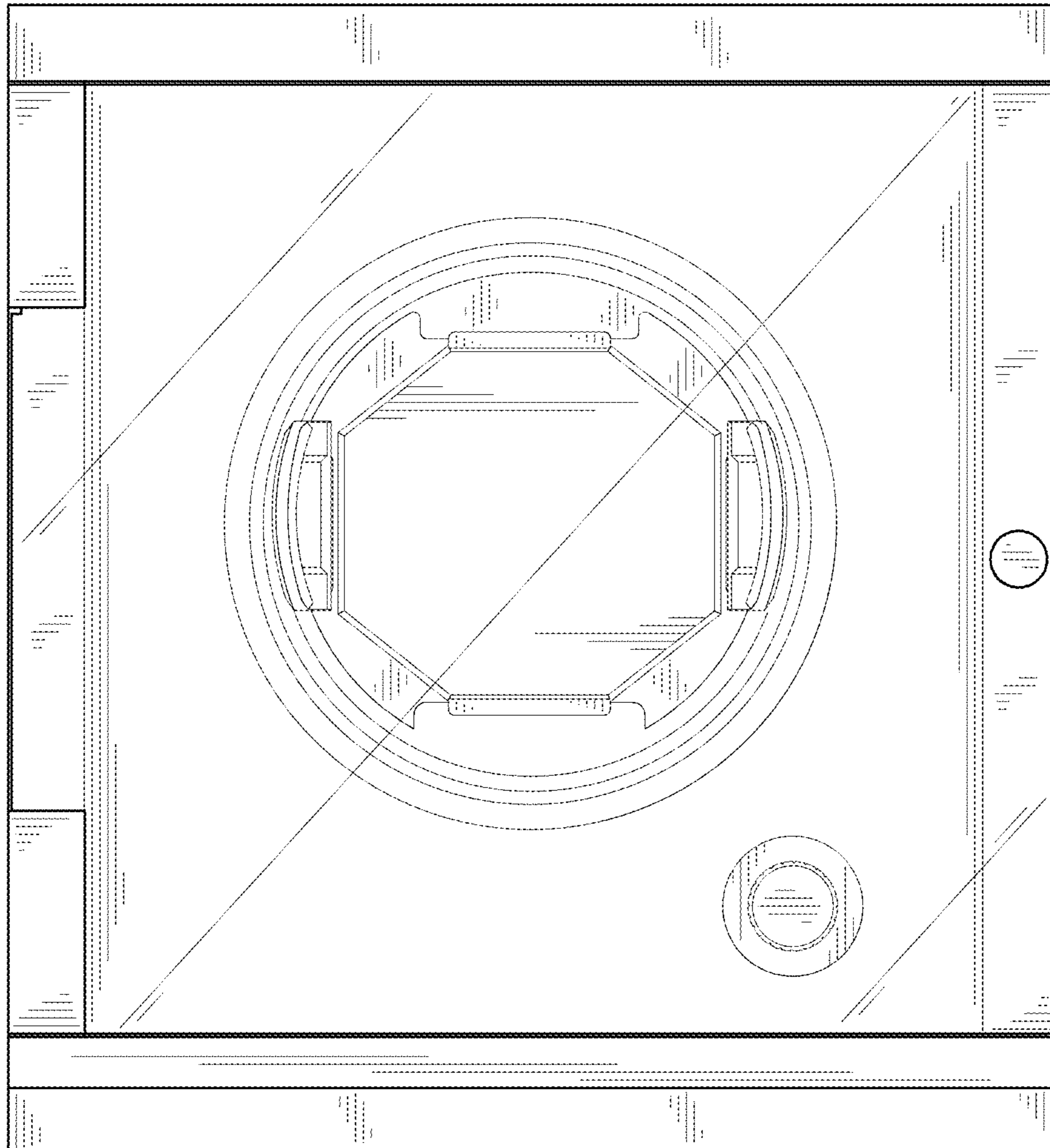


FIG. 3

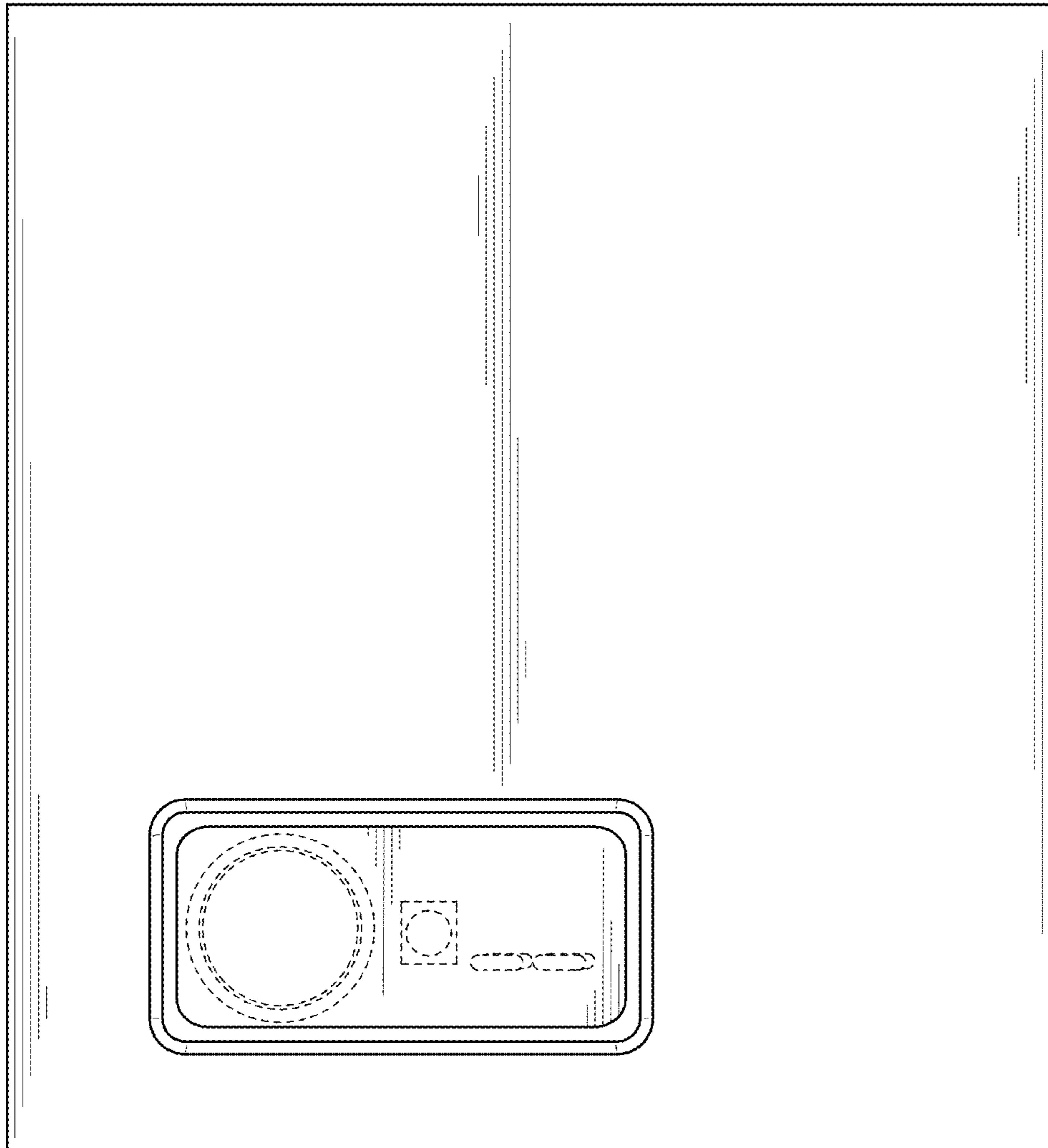


FIG. 4

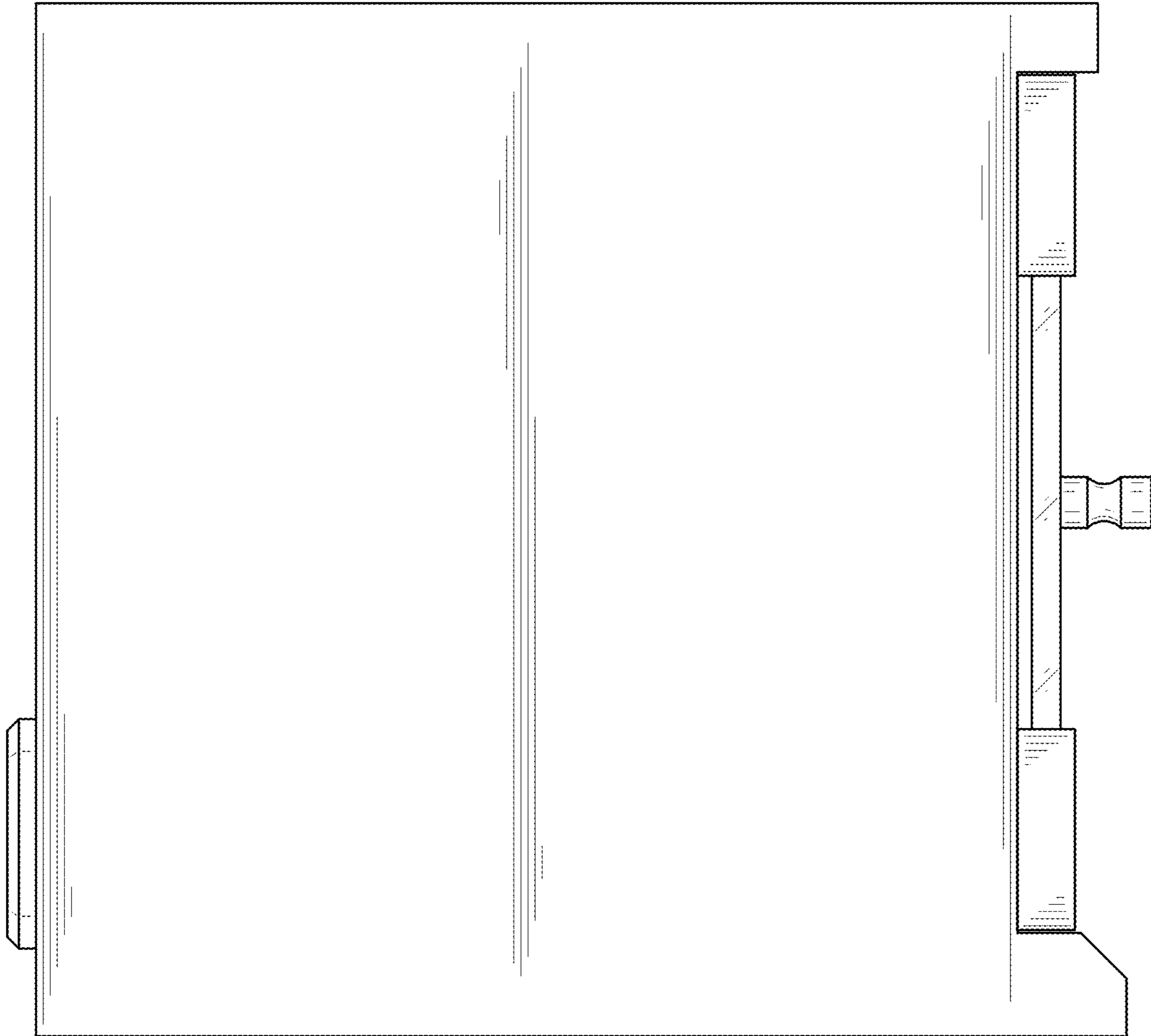


FIG. 5

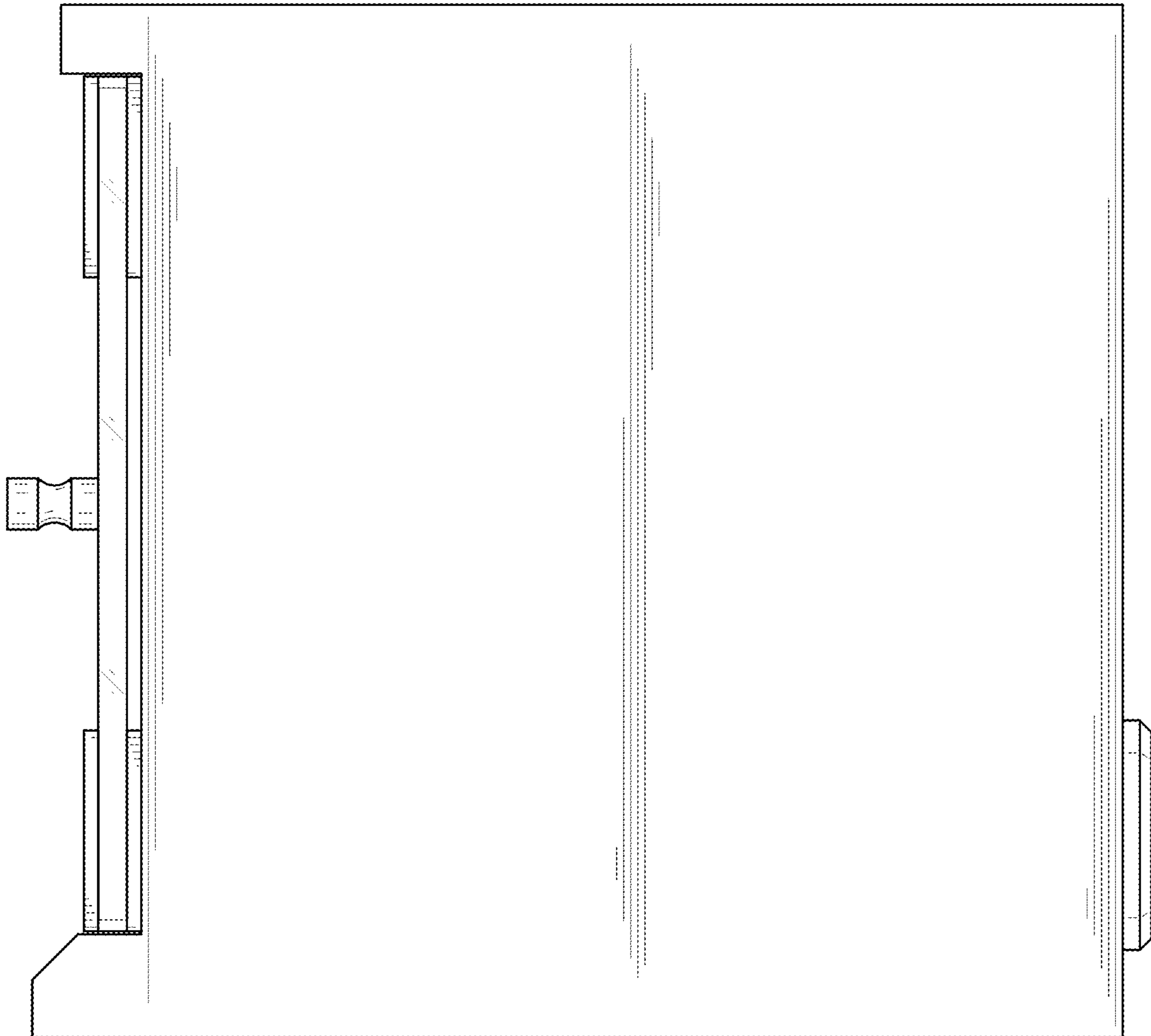


FIG. 6

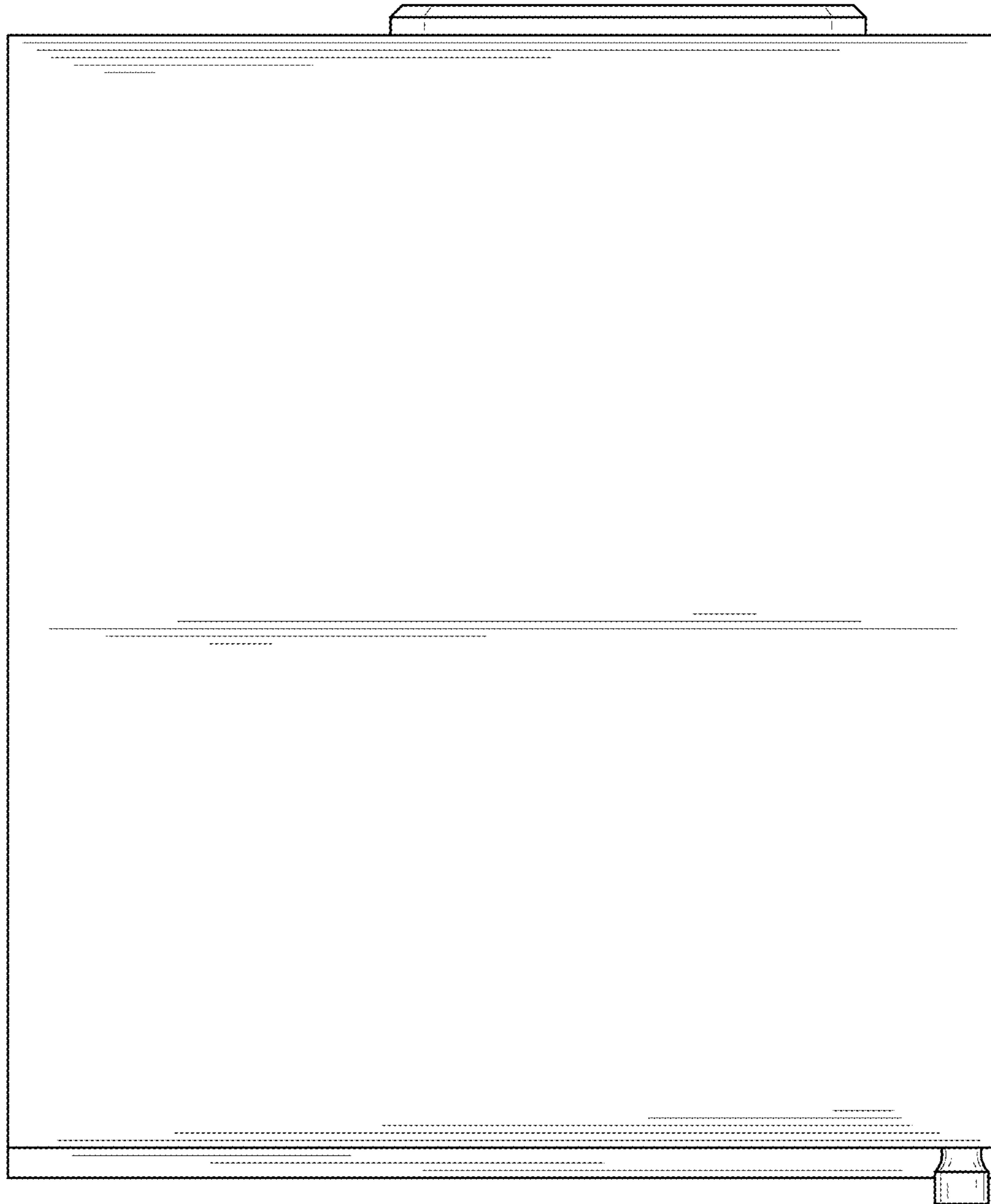


FIG. 7



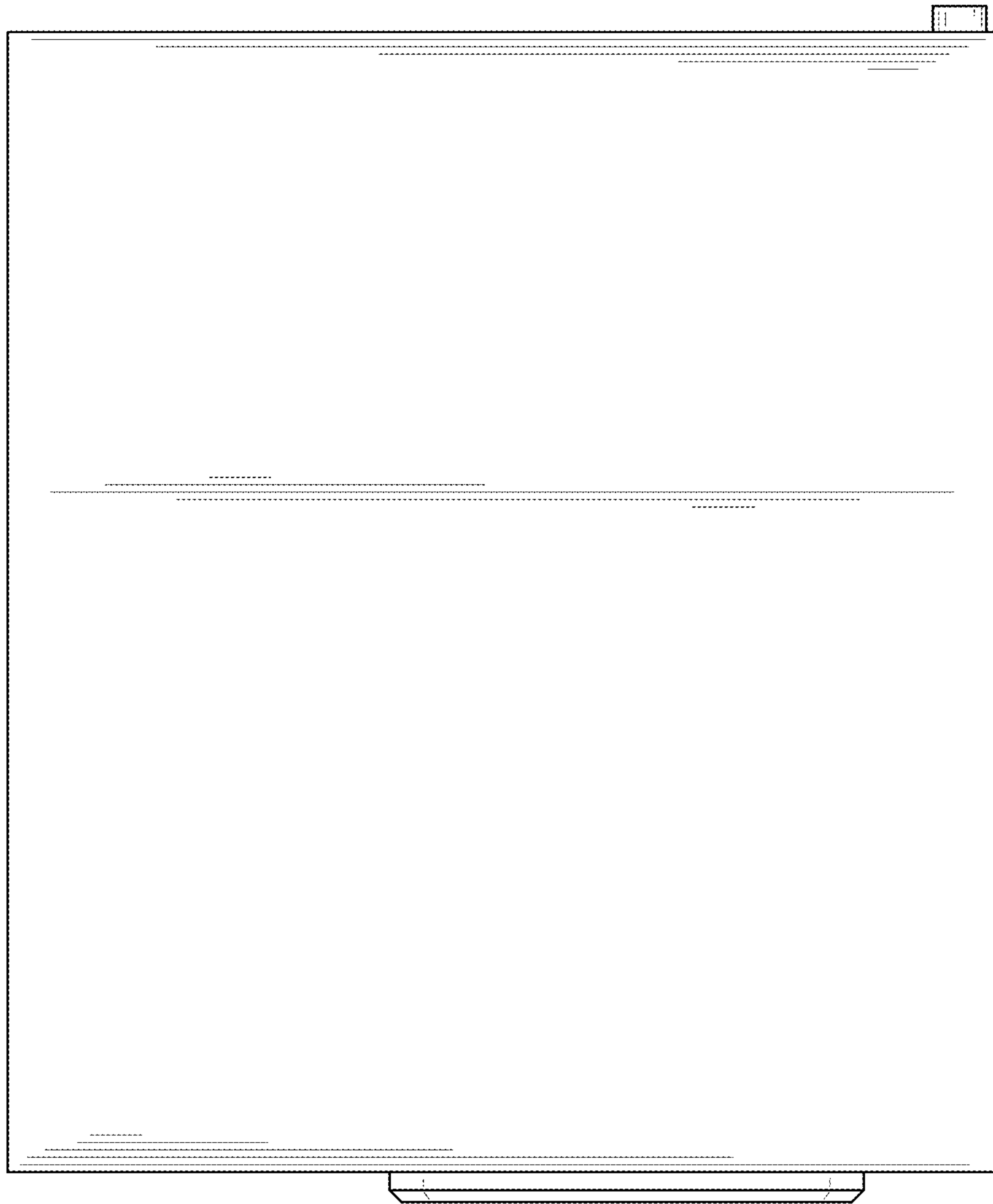


FIG. 8