



US00D986303S

(12) **United States Design Patent**  
**Gou**

(10) **Patent No.:** **US D986,303 S**

(45) **Date of Patent:** **\*\* May 16, 2023**

(54) **SOLDERING STATION**

(71) Applicant: **Guangzhou Yihua Electronic Equipment Co., Ltd.**, Guangdong (CN)

(72) Inventor: **Mingkang Gou**, Guangdong (CN)

(73) Assignee: **Guangzhou Yihua Electronic Equipment Co., Ltd.**, Guangdong (CN)

(\*\*) Term: **15 Years**

(21) Appl. No.: **29/804,765**

(22) Filed: **Aug. 23, 2021**

(51) **LOC (14) Cl.** ..... **15-04**

(52) **U.S. Cl.**  
USPC ..... **D15/144.2; D8/71**

(58) **Field of Classification Search**  
USPC ..... D8/29.1, 29.2, 30, 60, 71; D15/144, D15/144.1, 144.2  
CPC ..... B23K 3/023; B23K 3/0346; B23K 3/033; B23K 3/022; B23K 3/021  
See application file for complete search history.

(56) **References Cited**

**U.S. PATENT DOCUMENTS**

D155,342 S \* 9/1949 Humpal ..... D8/30  
D375,904 S \* 11/1996 Fukuda ..... D10/50

D490,448 S \* 5/2004 Ishihara ..... D15/144  
D832,321 S \* 10/2018 Gou ..... D15/144  
D832,901 S \* 11/2018 Gou ..... D15/144  
D911,403 S \* 2/2021 Gou ..... D15/144.2  
D912,112 S \* 3/2021 Gou ..... D15/144.2  
D937,918 S \* 12/2021 Gou ..... D15/144.2

\* cited by examiner

*Primary Examiner* — Michael C Stout

*Assistant Examiner* — Fitzgerald L Butac

(74) *Attorney, Agent, or Firm* — Lucas & Mercanti, LLP

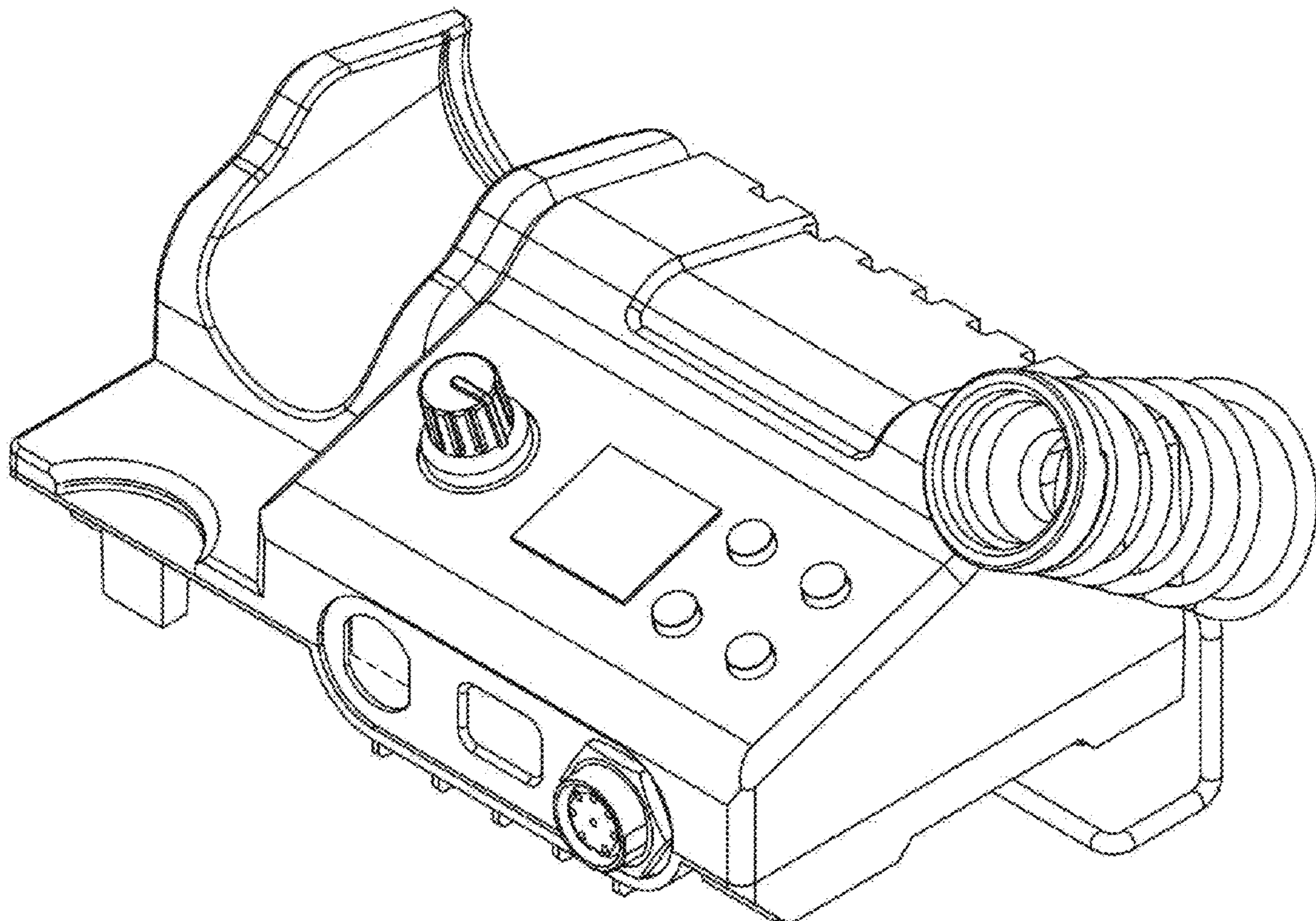
(57) **CLAIM**

The ornamental design for a soldering station, as shown and described.

**DESCRIPTION**

FIG. 1 is a perspective view of the soldering iron;  
FIG. 2 is a front view thereof  
FIG. 3 is a rear view thereof;  
FIG. 4 is a left side view thereof;  
FIG. 5 is a right side view thereof;  
FIG. 6 is a top view thereof; and,  
FIG. 7 is a bottom view thereof.  
The broken lines show portions of a soldering station which form no part of the claimed design.

**1 Claim, 7 Drawing Sheets**



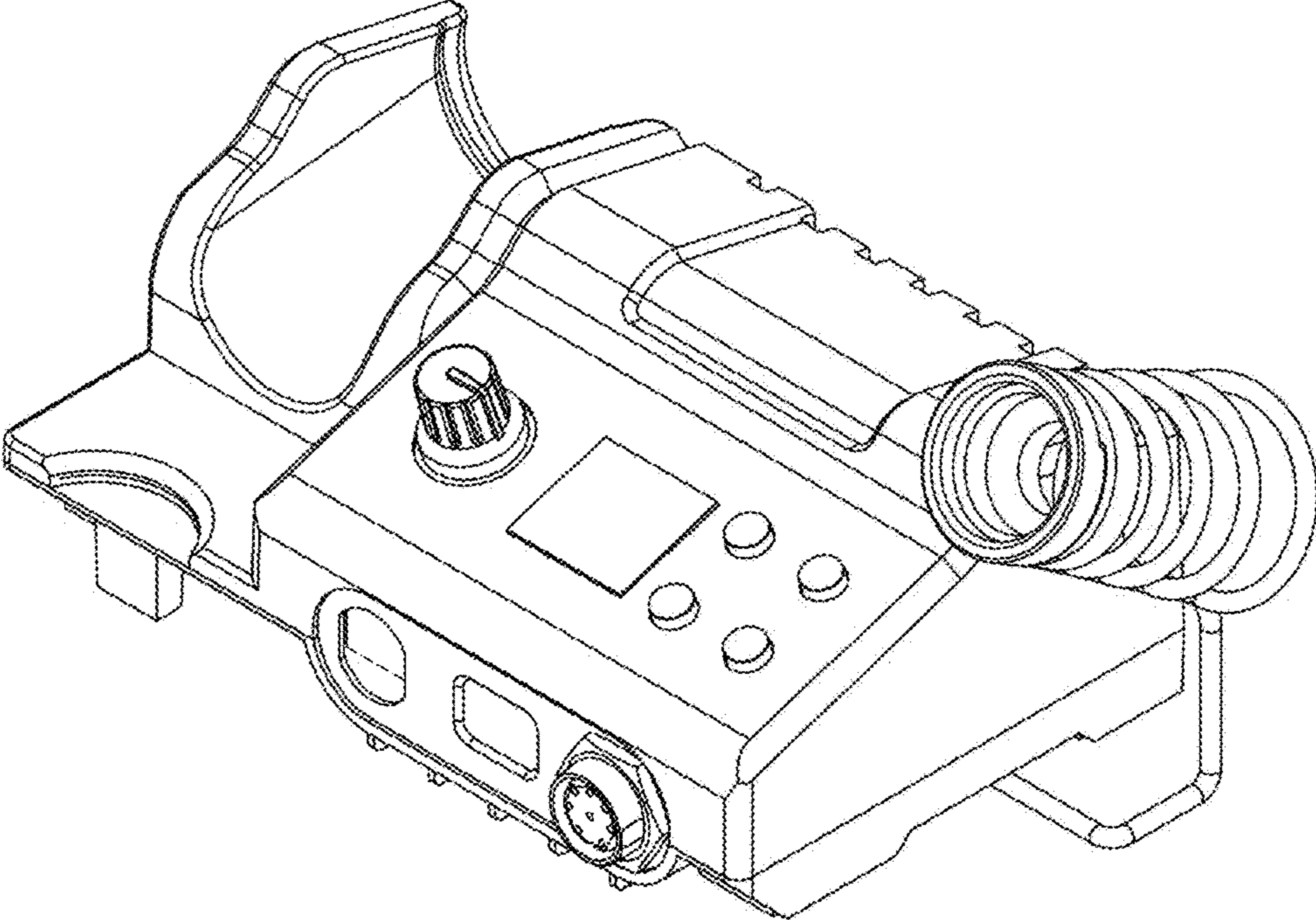


FIG. 1

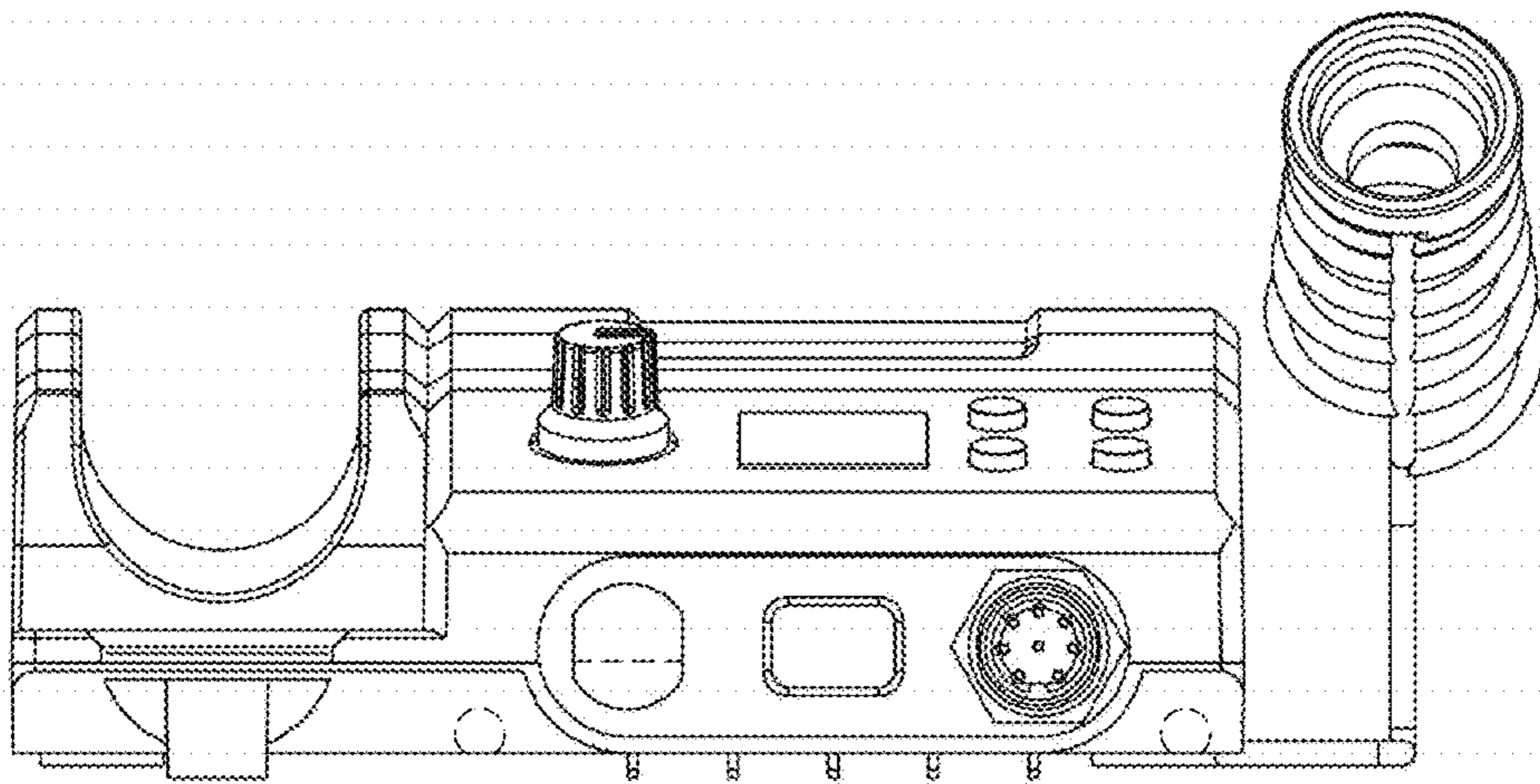


FIG. 2

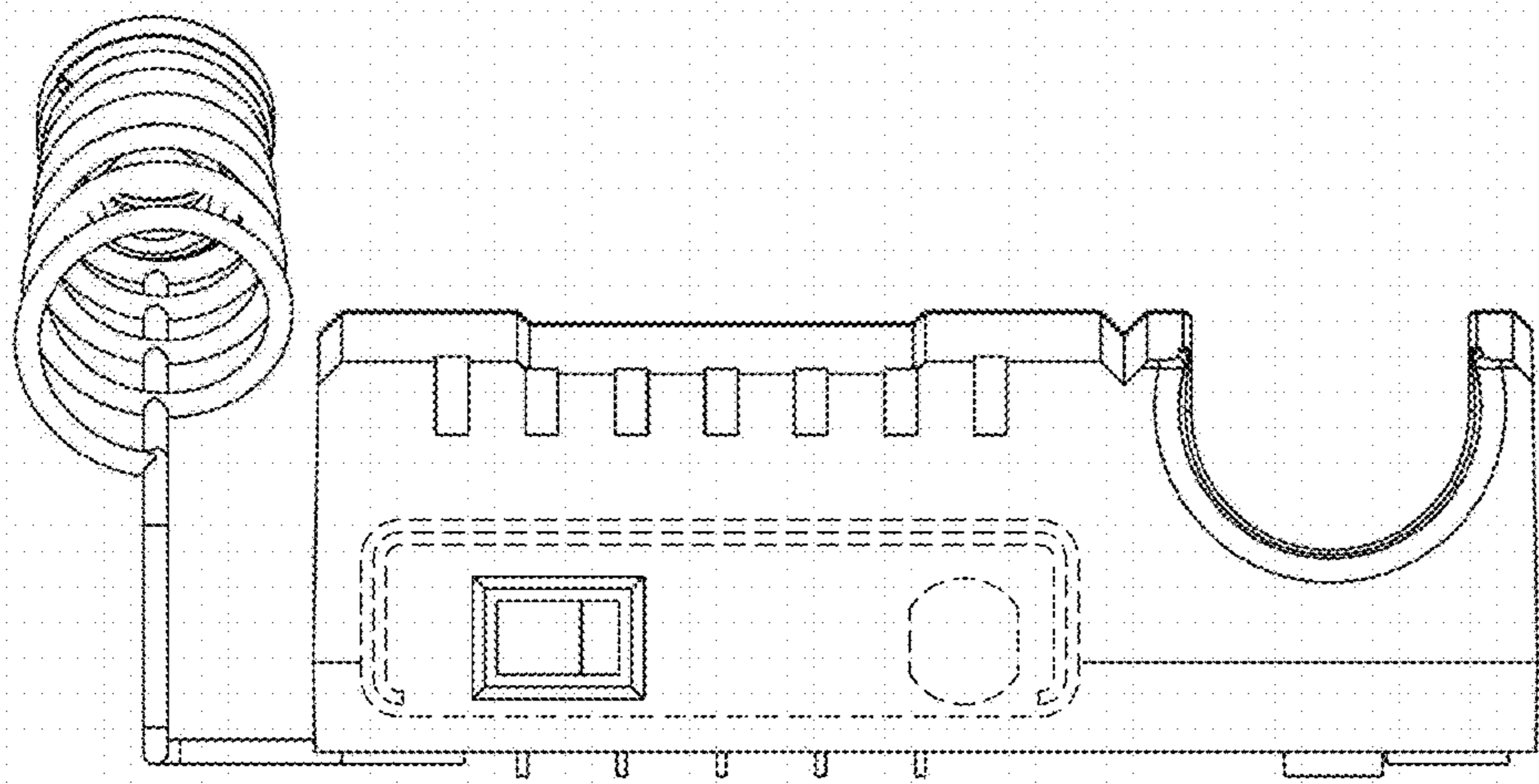


FIG. 3

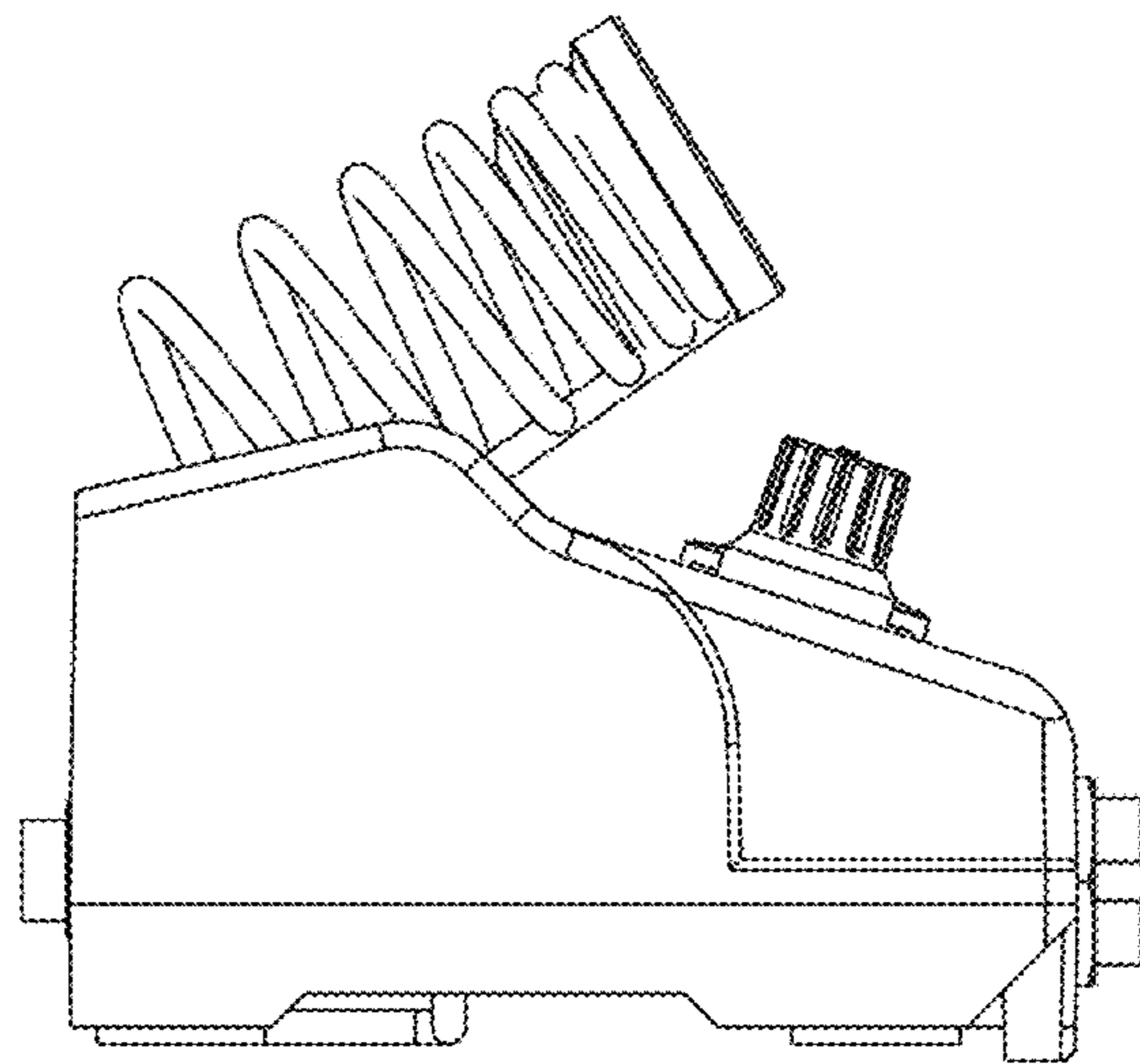


FIG. 4

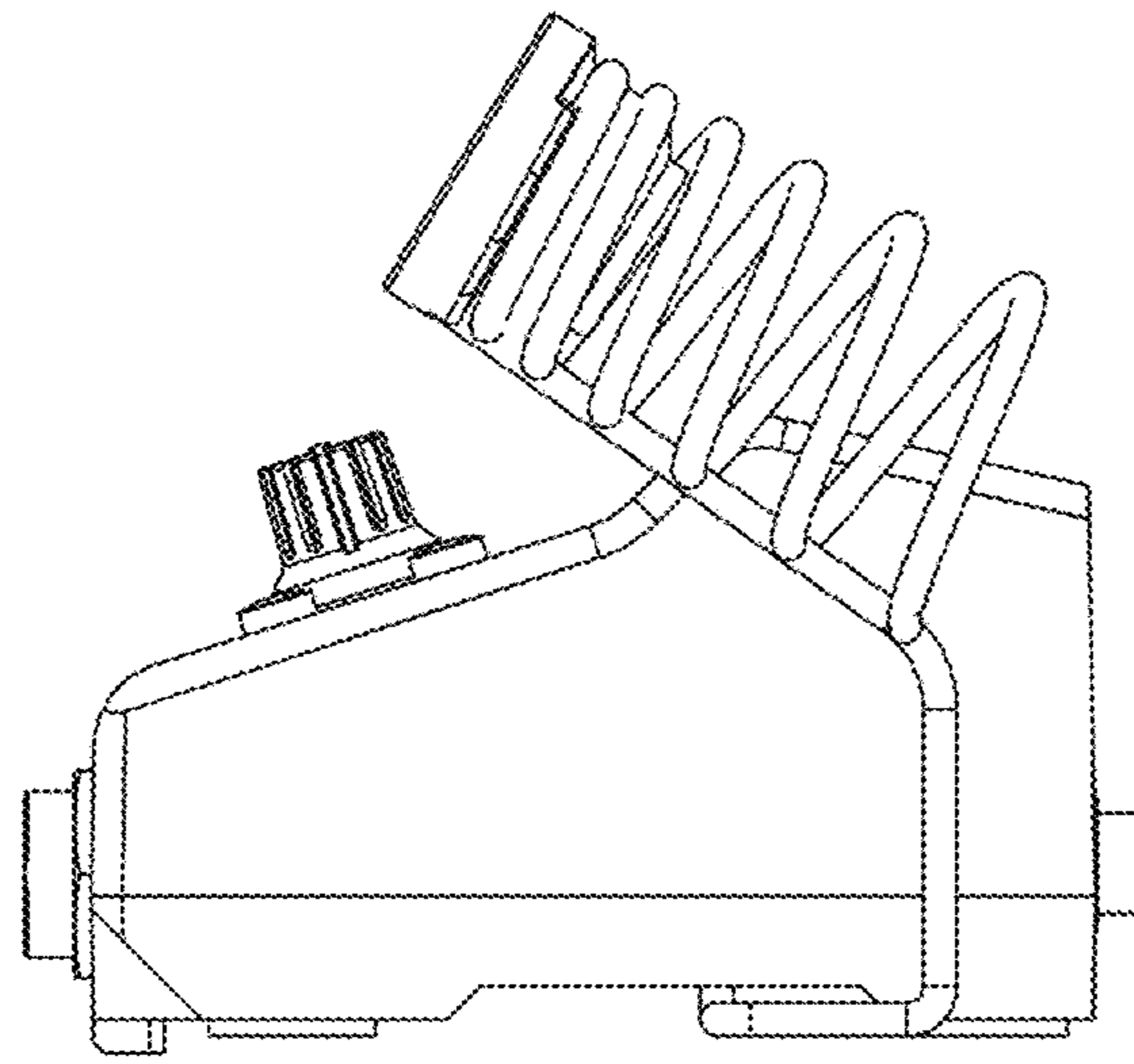


FIG. 5

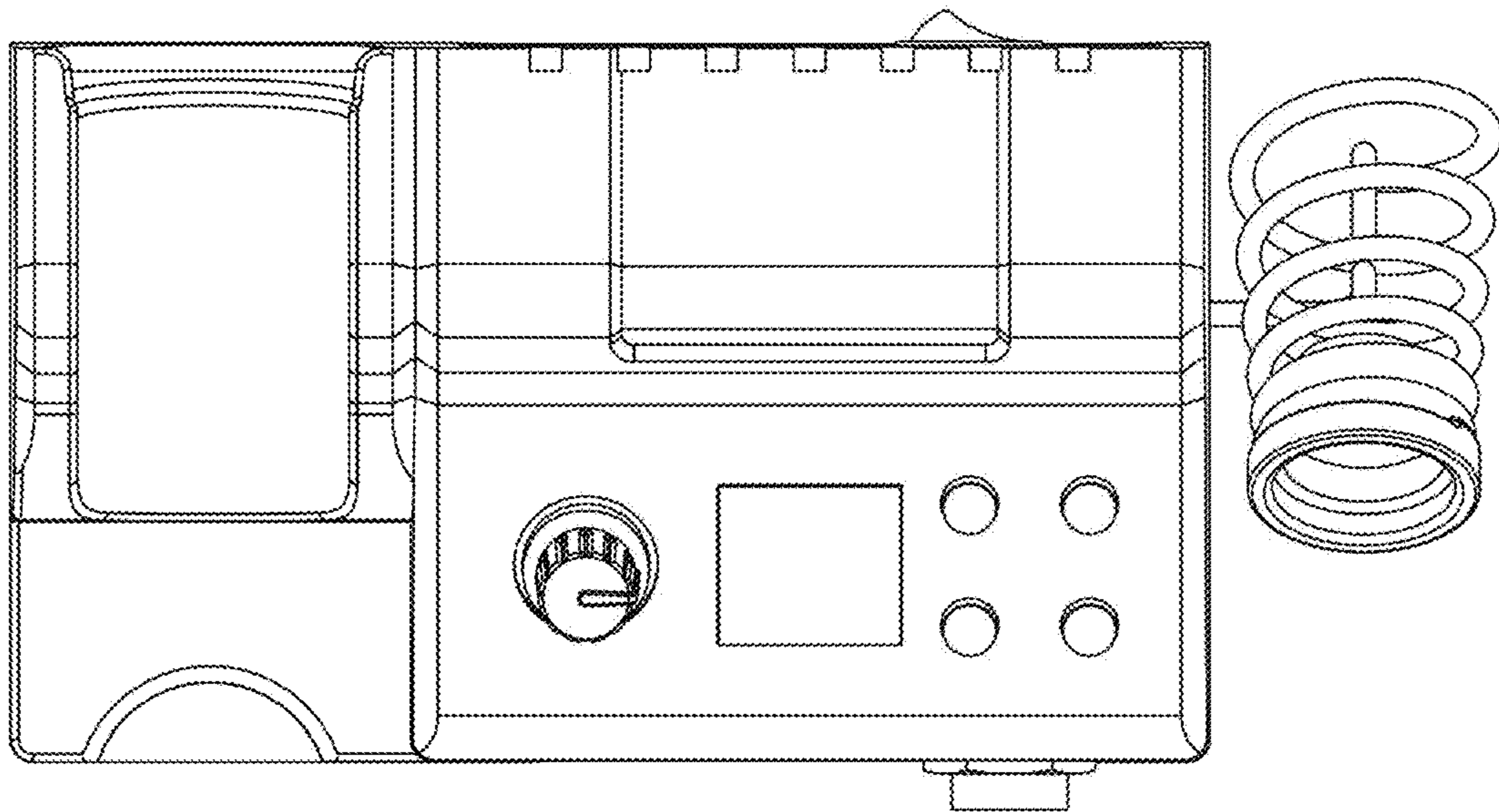


FIG. 6

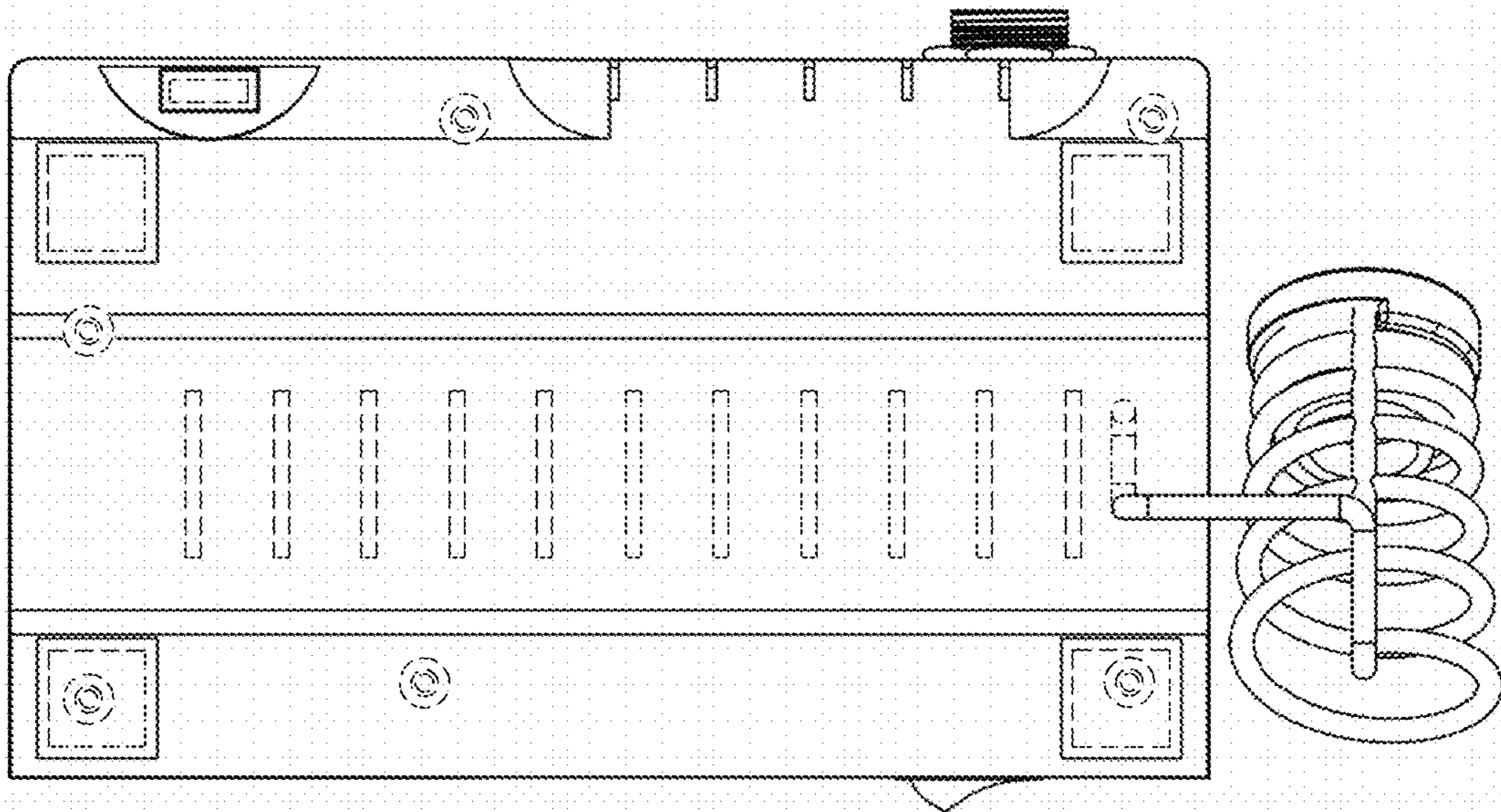


FIG. 7