



US00D986301S

(12) **United States Design Patent** (10) **Patent No.:** **US D986,301 S**
Ludwig (45) **Date of Patent:** **** *May 16, 2023**

(54) **ROAD MILLING AND PLANING PICK TOOL**

(71) Applicant: **Element Six GmbH**, Burghaun (DE)

(72) Inventor: **Michael Ludwig**, Burghaun (DE)

(73) Assignee: **Element Six GmbH**, Burghaun (DE)

(*) Notice: This patent is subject to a terminal disclaimer.

(**) Term: **15 Years**

(21) Appl. No.: **35/513,561**

(22) Filed: **Aug. 5, 2021**

(80) **Hague Agreement Data**

Int. Filing Date: **Aug. 5, 2021**

Int. Reg. No.: **DM/216268**

Int. Reg. Date: **Aug. 5, 2021**

Int. Reg. Pub. Date: **Feb. 11, 2022**

(30) **Foreign Application Priority Data**

Feb. 11, 2021 (EM) 008433262-0005

(51) **LOC (14) Cl.** **15-09**

(52) **U.S. Cl.**
USPC **D15/139**

(58) **Field of Classification Search**
USPC D8/70-74; D15/131, 132, 138, 139, 140
CPC E21B 29/00; E21B 10/48
See application file for complete search history.

(56) **References Cited**

U.S. PATENT DOCUMENTS

- D520,035 S * 5/2006 Kammerer D15/139
- D558,241 S * 12/2007 Chiang D15/139
- D570,886 S * 6/2008 Chiang D15/139
- D585,918 S * 2/2009 Chiang D15/139
- D627,809 S * 11/2010 Kammerer D15/139
- D643,864 S * 8/2011 Jackson D15/140

- D710,174 S * 8/2014 Moss D8/70
- D710,175 S * 8/2014 Moss D8/70
- D742,948 S * 11/2015 Kenno D15/139
- D742,949 S * 11/2015 Kenno D15/139
- D745,585 S * 12/2015 Heilmeier D15/139
- D750,674 S * 3/2016 Dunnahoe D15/139
- D808,449 S * 1/2018 Buhr D15/139
- D819,098 S * 5/2018 Buhr B28D 1/186
D15/139
- D841,063 S * 2/2019 Friederichs D15/139
- D868,122 S * 11/2019 Rose D15/139
- D918,973 S * 5/2021 Friederichs E21C 35/197
D15/131
- D920,401 S * 5/2021 Congdon D15/139
- D934,318 S * 10/2021 Mills D15/139
- D938,999 S * 12/2021 Congdon D15/139
- D940,768 S * 1/2022 Mills D15/139
- D941,375 S * 1/2022 Mills D15/139
- D959,519 S * 8/2022 Mills D15/139
- D967,880 S * 10/2022 Mills D15/139

* cited by examiner

Primary Examiner — Michael C Stout

Assistant Examiner — Fritzgerald L Butac

(74) *Attorney, Agent, or Firm* — Kilpatrick Townsend & Stockton LLP

(57) **CLAIM**

The ornamental design for a road milling and planing pick tool, as shown and described.

DESCRIPTION

1. Road milling and planing pick tool

1.1 : Front

1.2 : Back

1.3 : Top

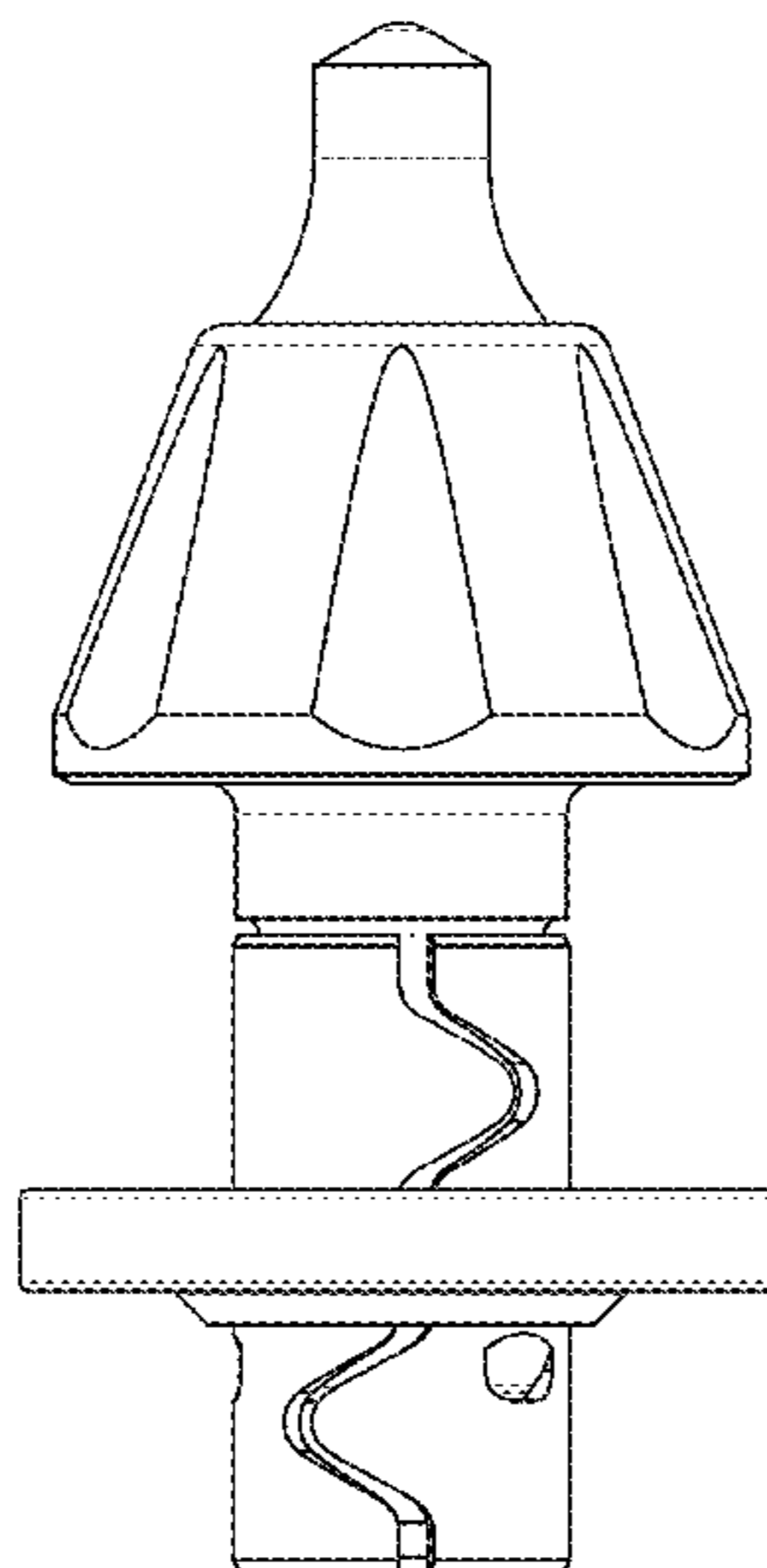
1.4 : Bottom

1.5 : Left

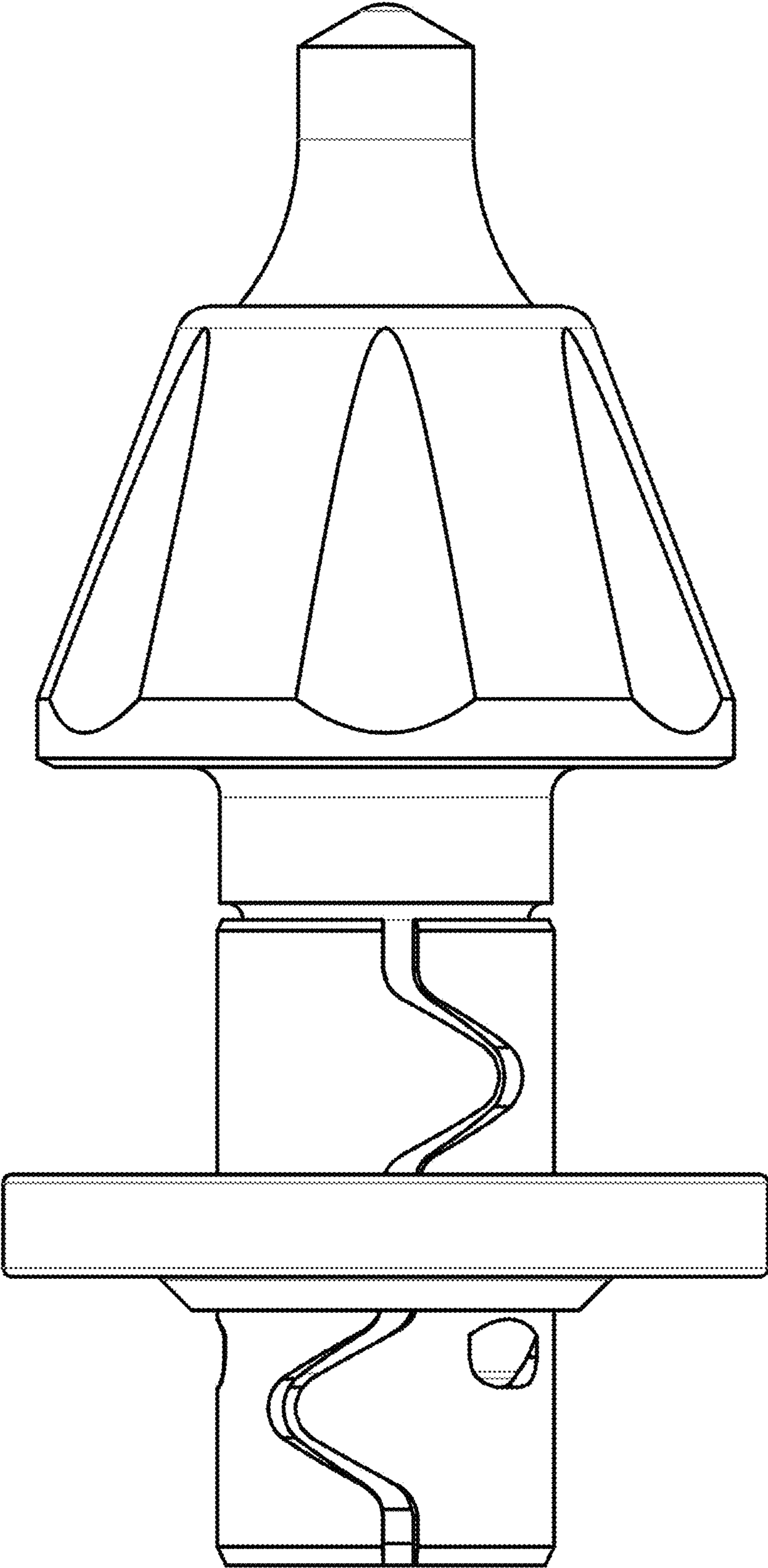
1.6 : Right

This design relates to a pick tool for road planing or milling. The broken lines show portions of a road milling and planing pick tool which form no part of the claimed design.

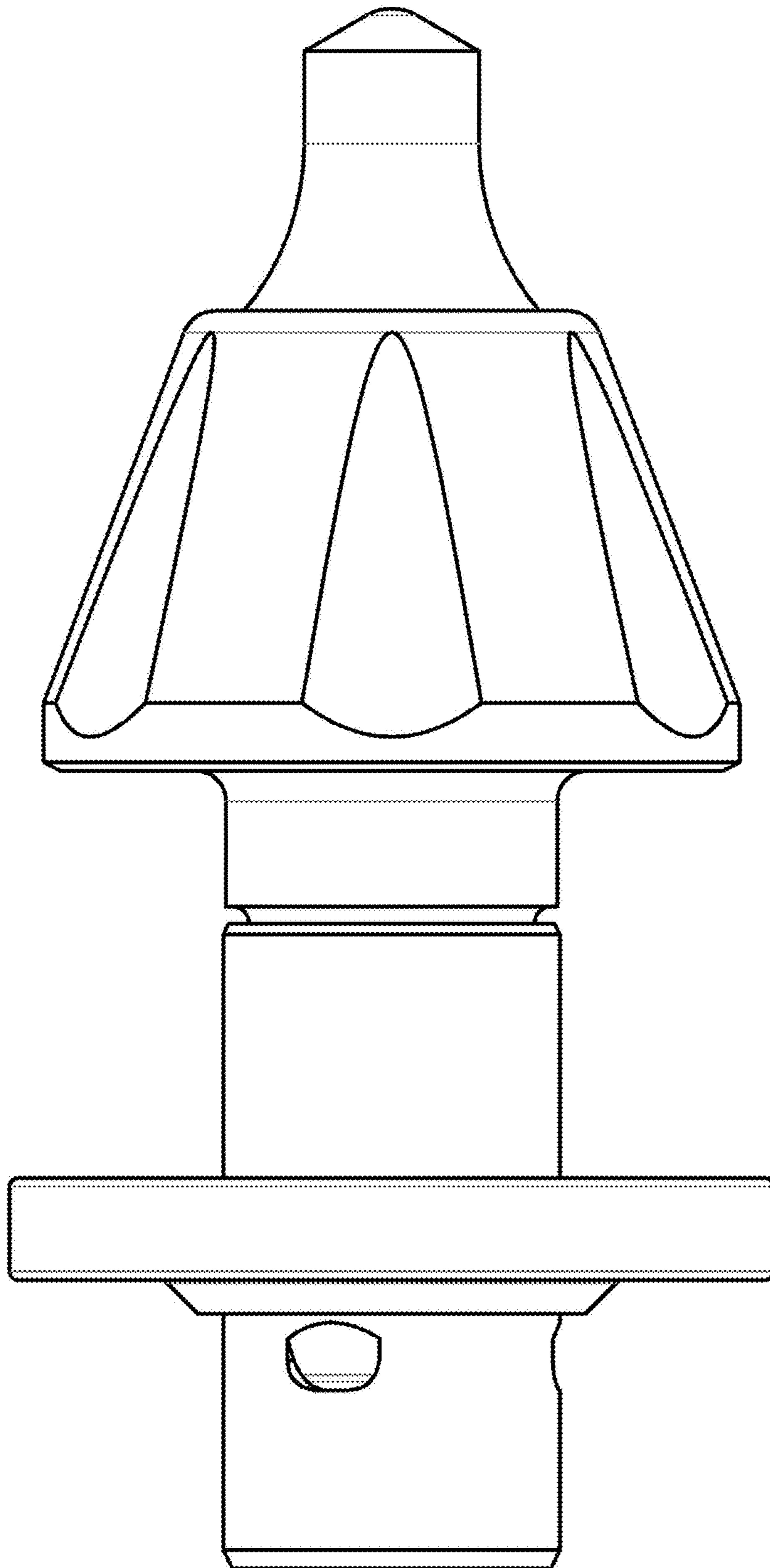
1 Claim, 6 Drawing Sheets



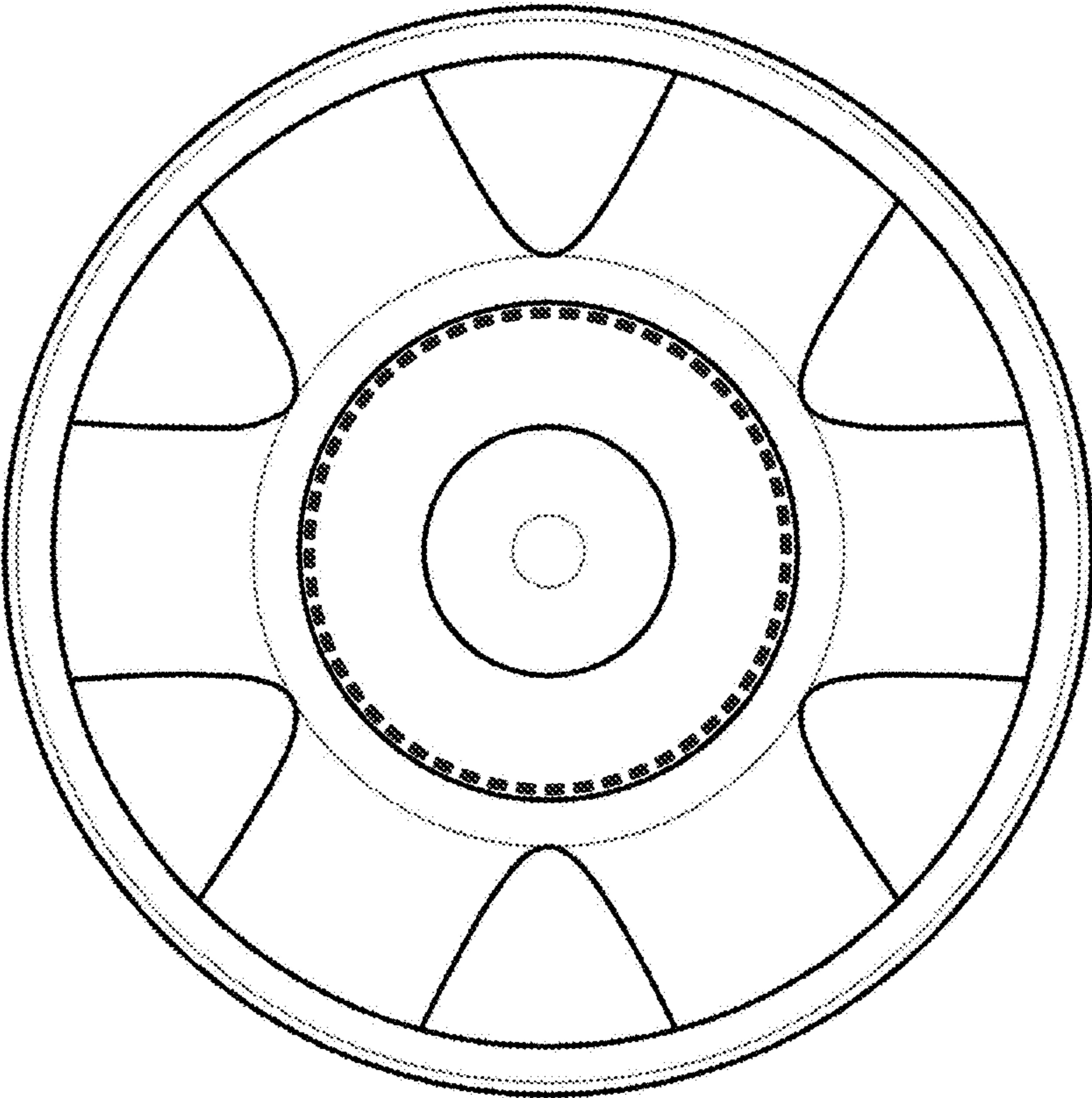
1.1



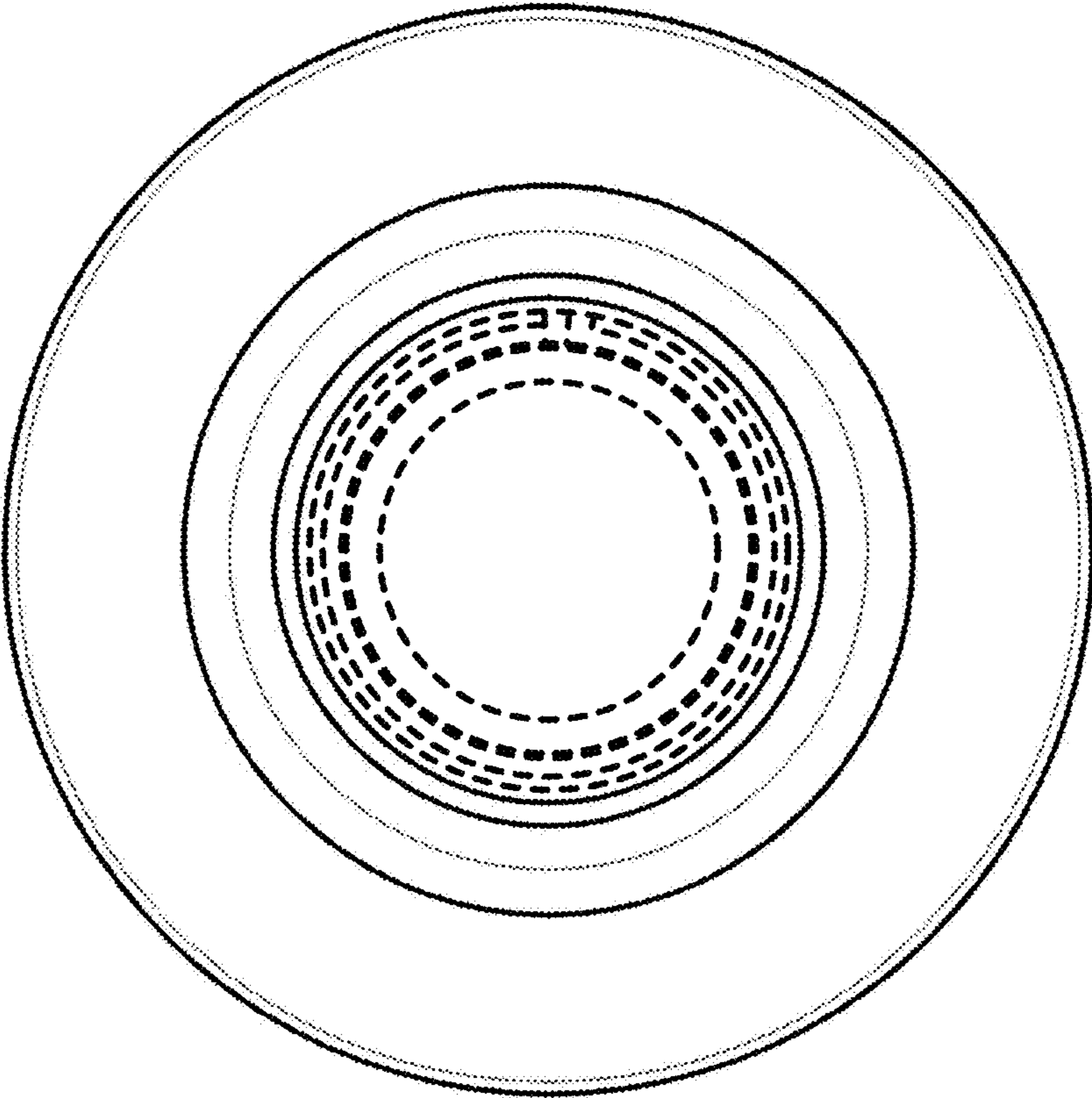
1.2



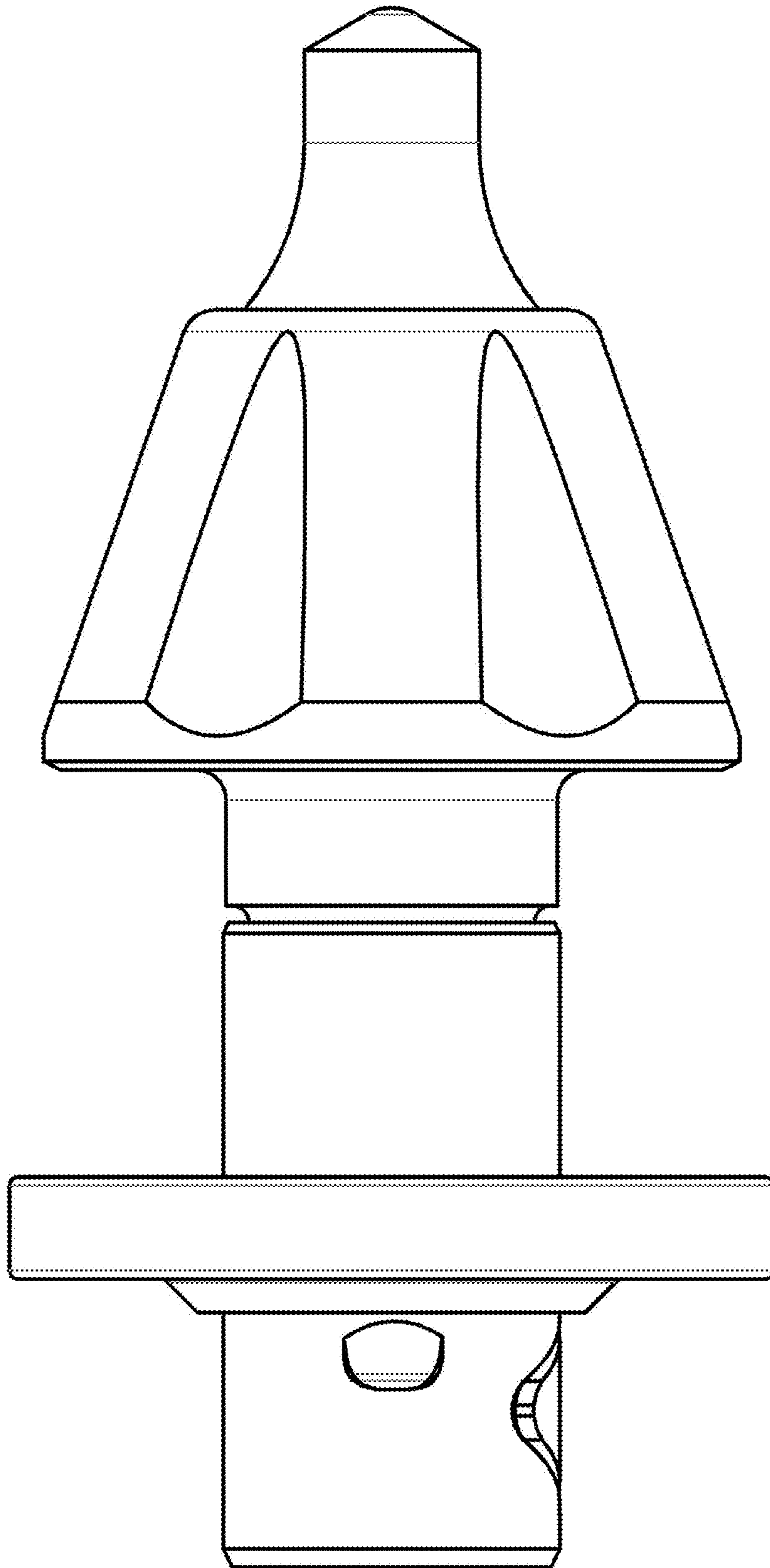
1.3



1.4



1.5



1.6

