



US00D986300S

(12) **United States Design Patent** (10) **Patent No.:** **US D986,300 S**  
**Ludwig** (45) **Date of Patent:** **\*\* \*May 16, 2023**

(54) **ROAD MILLING AND PLANING PICK TOOL**

(71) Applicant: **Element Six GmbH**, Burghaun (DE)

(72) Inventor: **Michael Ludwig**, Burghaun (DE)

(73) Assignee: **Element Six GmbH**, Burghaun (DE)

(\* ) Notice: This patent is subject to a terminal disclaimer.

(\*\*) Term: **15 Years**

(21) Appl. No.: **35/513,553**

(22) Filed: **Aug. 5, 2021**

(80) **Hague Agreement Data**

Int. Filing Date: **Aug. 5, 2021**

Int. Reg. No.: **DM/216267**

Int. Reg. Date: **Aug. 5, 2021**

Int. Reg. Pub. Date: **Feb. 11, 2022**

(30) **Foreign Application Priority Data**

Feb. 11, 2021 (EM) ..... 008433262-0004

(51) **LOC (14) Cl.** ..... **15-09**

(52) **U.S. Cl.**  
USPC ..... **D15/139**

(58) **Field of Classification Search**  
USPC ..... D8/70-74; D15/131, 132, 138, 139, 140  
CPC ..... E21B 29/00; E21B 10/48  
See application file for complete search history.

(56) **References Cited**

**U.S. PATENT DOCUMENTS**

- D520,035 S \* 5/2006 Kammerer ..... D15/139
- D558,241 S \* 12/2007 Chiang ..... D15/139
- D570,886 S \* 6/2008 Chiang ..... D15/139
- D585,918 S \* 2/2009 Chiang ..... D15/139
- D627,809 S \* 11/2010 Kammerer ..... D15/139
- D643,864 S \* 8/2011 Jackson ..... D15/140

- D710,174 S \* 8/2014 Moss ..... D8/70
- D710,175 S \* 8/2014 Moss ..... D8/70
- D742,948 S \* 11/2015 Kenno ..... D15/139
- D742,949 S \* 11/2015 Kenno ..... D15/139
- D745,585 S \* 12/2015 Heilmeier ..... D15/139
- D750,674 S \* 3/2016 Dunnahoe ..... D15/139
- D808,449 S \* 1/2018 Buhr ..... D15/139
- D819,098 S \* 5/2018 Buhr ..... B28D 1/186  
D15/139
- D841,063 S \* 2/2019 Friederichs ..... D15/139
- D868,122 S \* 11/2019 Rose ..... D15/139
- D918,973 S \* 5/2021 Friederichs ..... E21C 35/197  
D15/131
- D920,401 S \* 5/2021 Congdon ..... D15/139
- D934,318 S \* 10/2021 Mills ..... D15/139
- D938,999 S \* 12/2021 Congdon ..... D15/139
- D940,768 S \* 1/2022 Mills ..... D15/139
- D941,375 S \* 1/2022 Mills ..... D15/139
- D959,519 S \* 8/2022 Mills ..... D15/139
- D967,880 S \* 10/2022 Mills ..... D15/139

\* cited by examiner

*Primary Examiner* — Michael C Stout

*Assistant Examiner* — Fritzgerald L Butac

(74) *Attorney, Agent, or Firm* — Kilpatrick Townsend & Stockton LLP

(57) **CLAIM**

The ornamental design for a road milling and planing pick tool, as shown and described.

**DESCRIPTION**

1. Road milling and planing pick tool

1.1 : Front

1.2 : Back

1.3 : Top

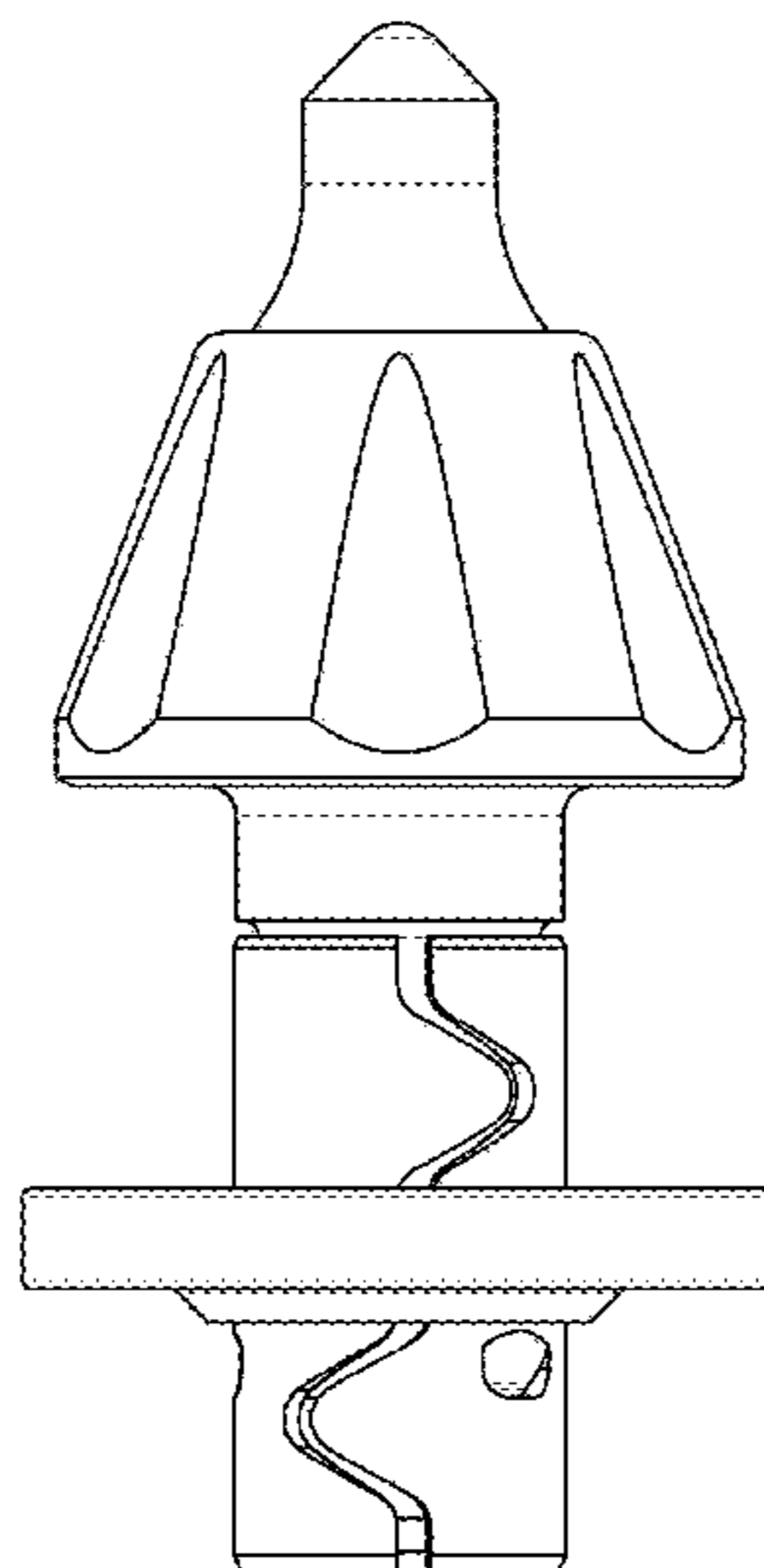
1.4 : Bottom

1.5 : Left

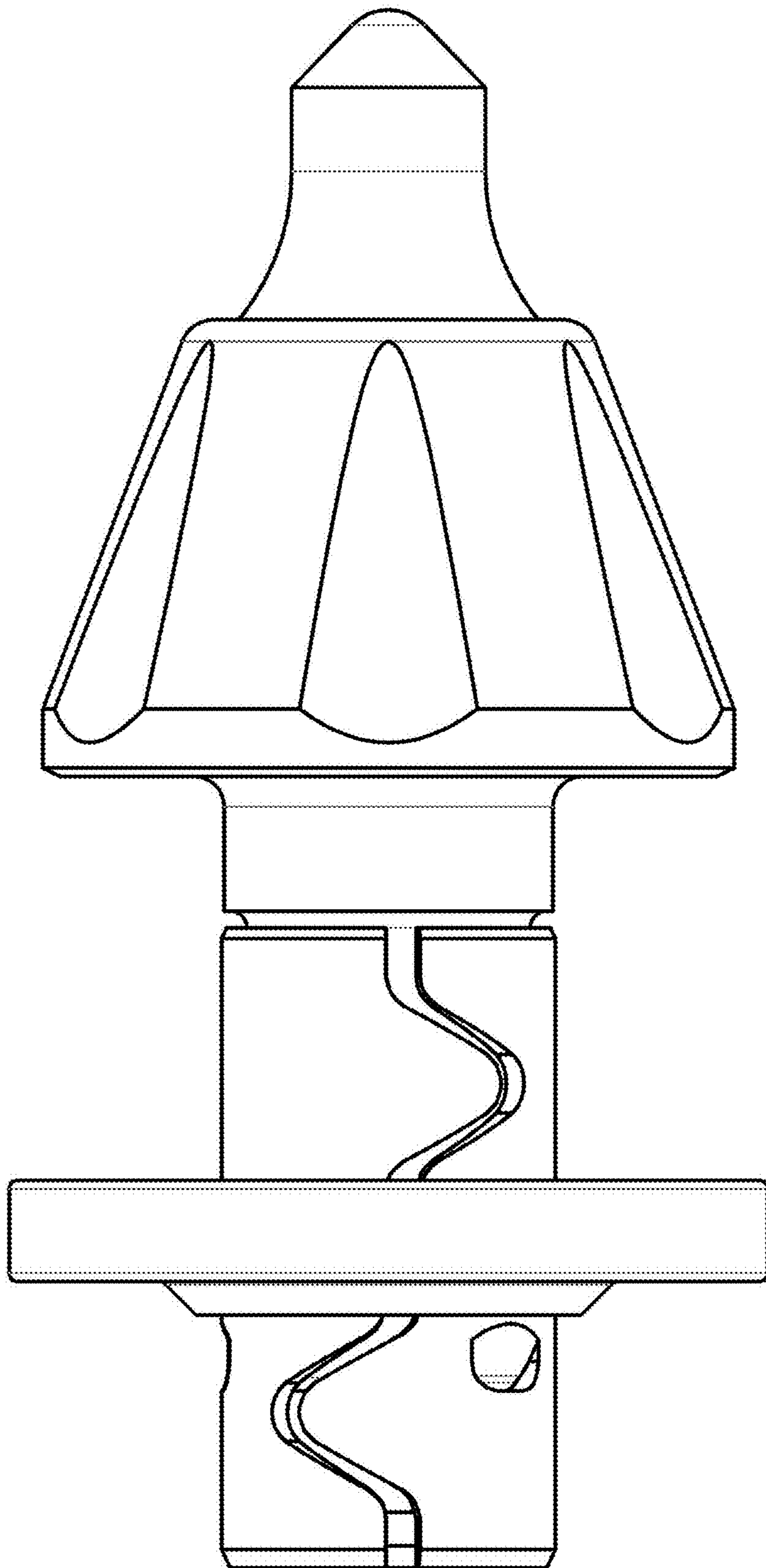
1.6 : Right

This design relates to a pick tool for road planing or milling. The broken lines show portions of a road milling and planing pick tool which form no part of the claimed design.

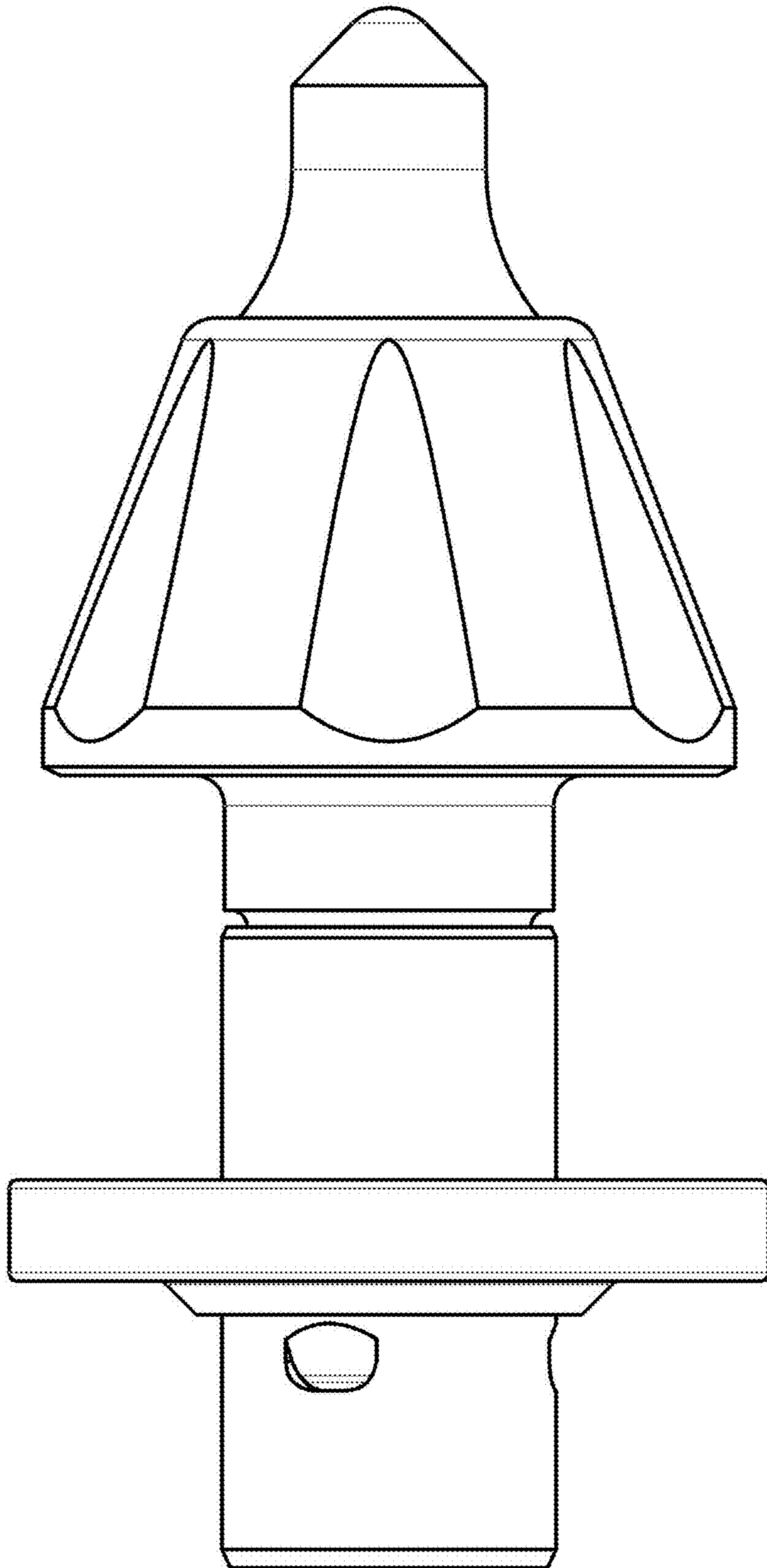
**1 Claim, 6 Drawing Sheets**



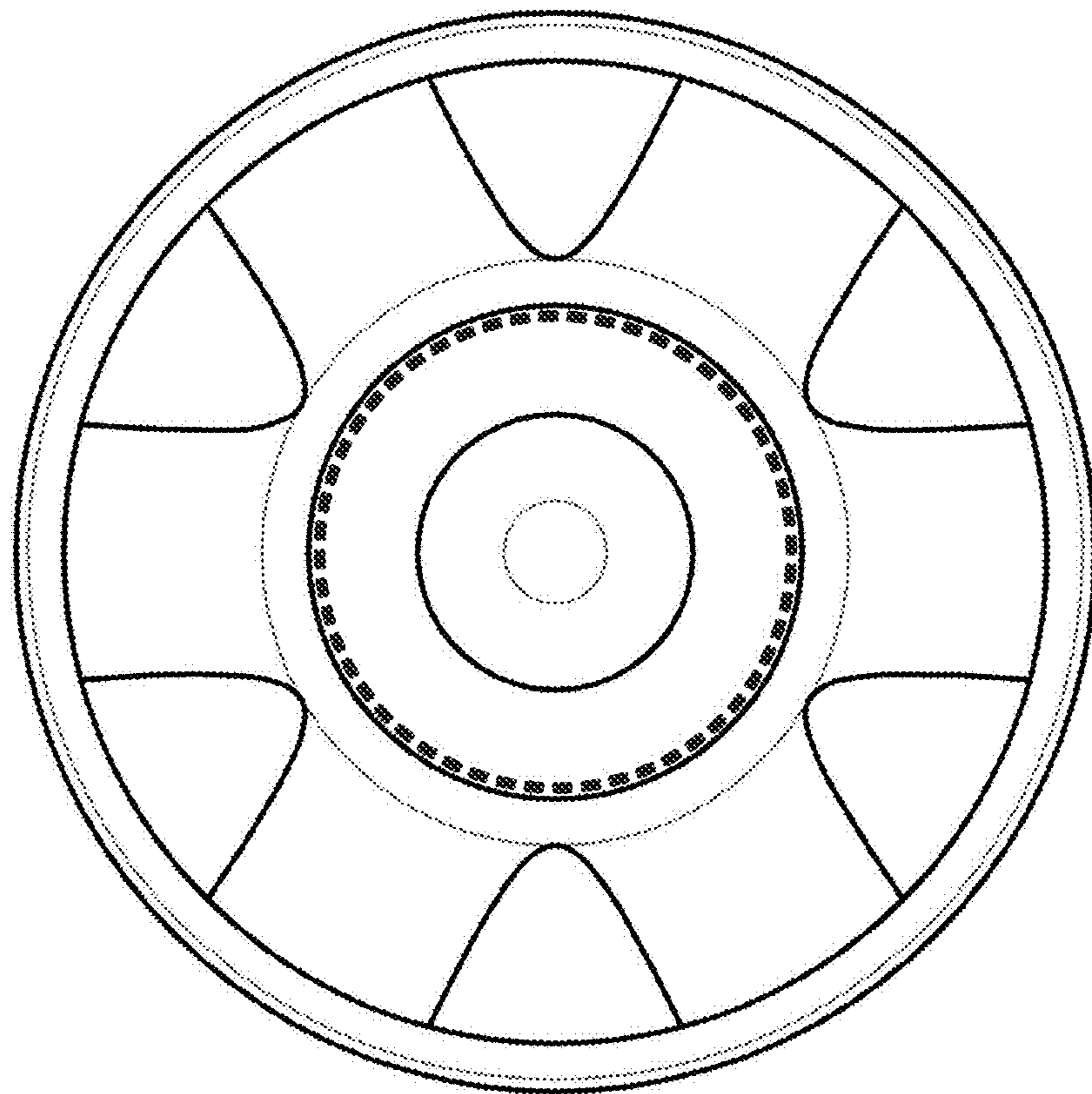
1.1



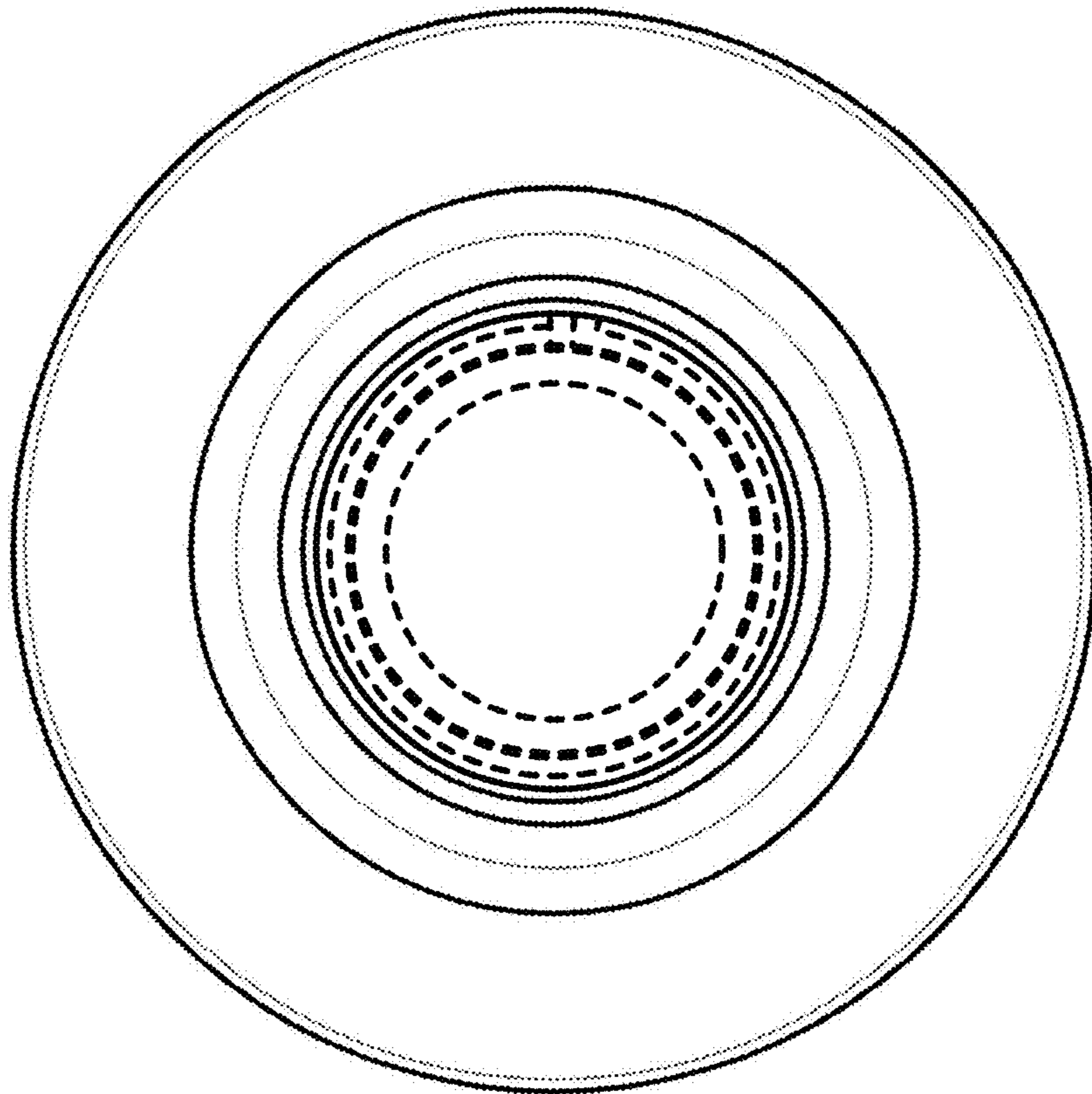
1.2



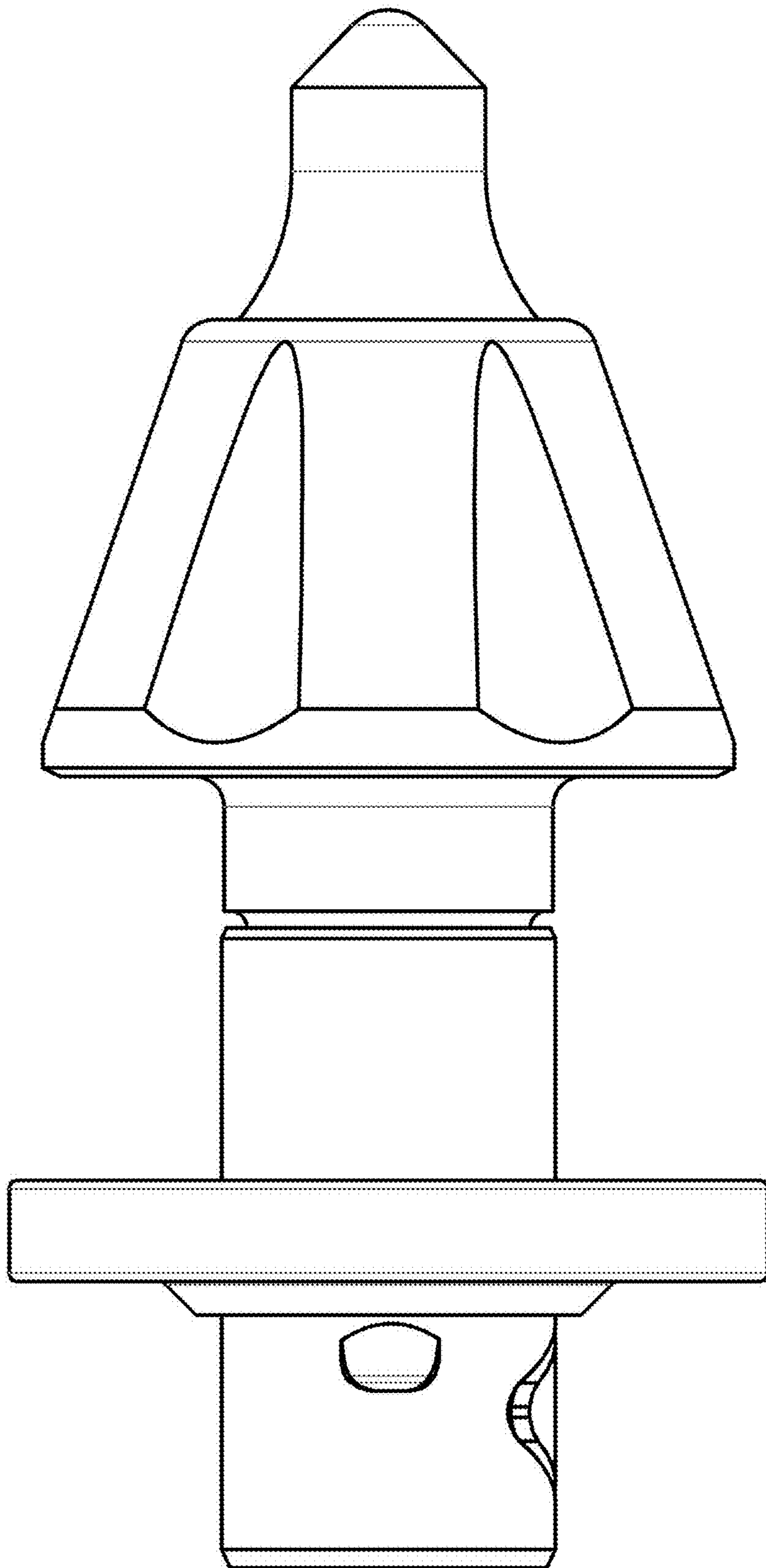
1.3



1.4



1.5



1.6

