



US00D986299S

(12) **United States Design Patent**
Yoon et al.

(10) **Patent No.:** **US D986,299 S**
(45) **Date of Patent:** **** May 16, 2023**

(54) **REFRIGERATOR**

DESCRIPTION

(71) Applicant: **SAMSUNG ELECTRONICS CO., LTD.**, Suwon-si (KR)
(72) Inventors: **Hyojin Yoon**, Suwon-si (KR); **Kisang Yoon**, Suwon-si (KR)
(73) Assignee: **SAMSUNG ELECTRONICS CO., LTD.**, Gyeonggi-do (KR)
(**) Term: **15 Years**
(21) Appl. No.: **29/812,193**
(22) Filed: **Oct. 20, 2021**
(30) **Foreign Application Priority Data**
Jul. 22, 2021 (KR) 30-2021-0034951
(51) **LOC (14) Cl.** **15-07**
(52) **U.S. Cl.**
USPC **D15/91**
(58) **Field of Classification Search**
USPC D15/79-91
(Continued)

(56) **References Cited**
U.S. PATENT DOCUMENTS
D868,852 S * 12/2019 Lee D15/91
D963,710 S * 9/2022 Lee D15/89
(Continued)

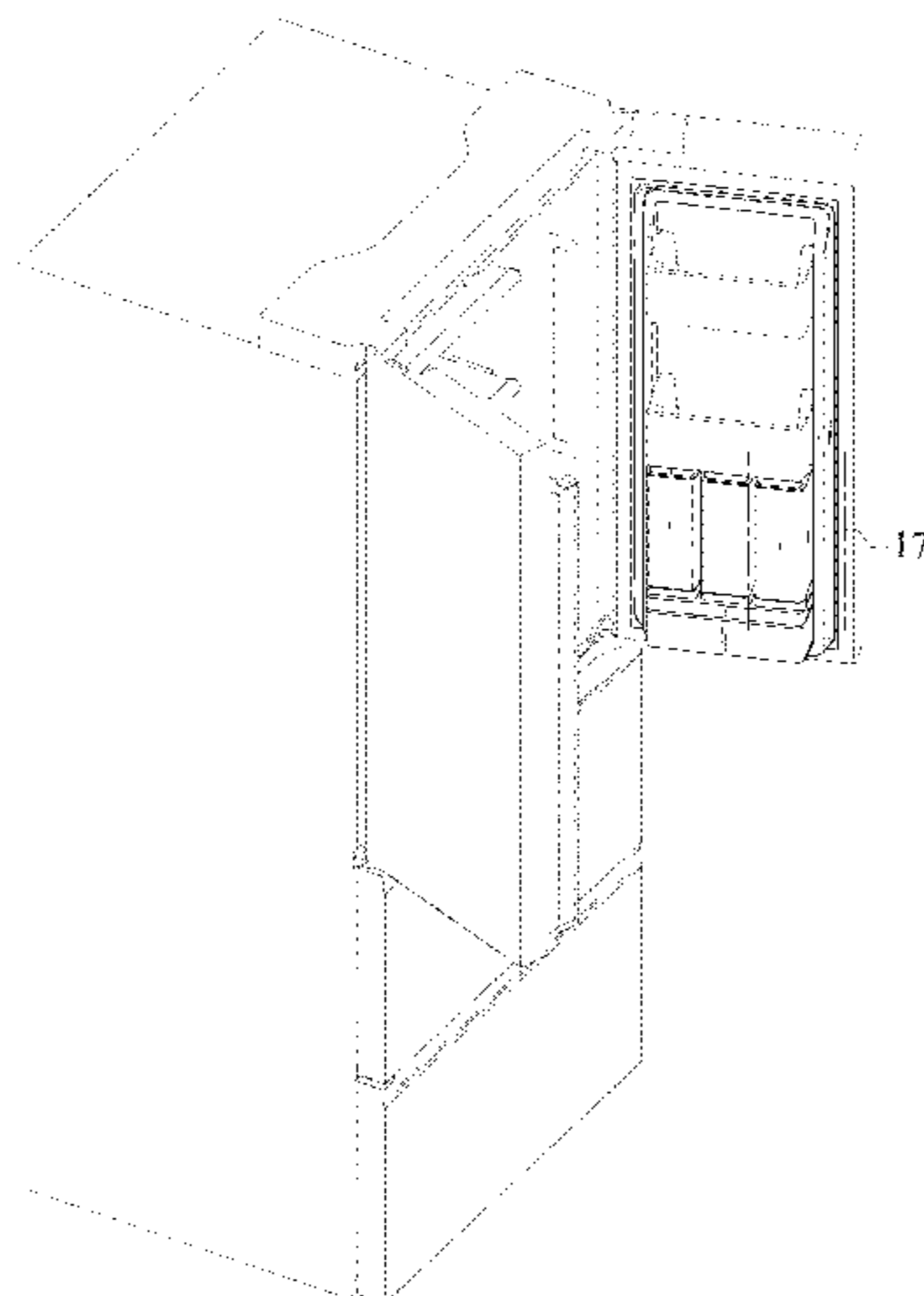
FOREIGN PATENT DOCUMENTS
CN 306125150 S 10/2020
EM 000071907-0003 9/2003
(Continued)

Primary Examiner — Khawaja Anwar
(74) *Attorney, Agent, or Firm* — Cantor Colburn LLP

(57) **CLAIM**
The ornamental design for a refrigerator, as shown and described.

FIG. 1 is a front perspective view of a refrigerator, showing our new design;
FIG. 2 is a front view thereof;
FIG. 3 is a rear view thereof;
FIG. 4 is a left-side view thereof;
FIG. 5 is a right-side view thereof;
FIG. 6 is a top plan view thereof;
FIG. 7 is a bottom plan view thereof;
FIG. 8 is a partial perspective view thereof showing a refrigerator door portion;
FIG. 9 is a partial front view thereof showing the refrigerator door portion;
FIG. 10 is a partial rear view thereof showing the refrigerator door portion;
FIG. 11 is a partial left-side view thereof showing the refrigerator door portion;
FIG. 12 is a partial right-side view thereof showing the refrigerator door portion;
FIG. 13 is a partial top plan view thereof showing the refrigerator door portion;
FIG. 14 is a partial bottom plan view thereof showing the refrigerator door portion;
FIG. 15 is a cross-sectional view taken along line 15-15 of FIG. 9;
FIG. 16 is another partial perspective view thereof showing the refrigerator door portion, wherein an unclaimed portion is omitted for clarity;
FIG. 17 is an enlarged view of the encircled portion 17 in FIG. 1; and,
FIG. 18 is an enlarged view of the encircled portion 18 in FIG. 2.
The even-dash broken lines illustrating portions of the refrigerator form no part of the claimed design. The dot-dash broken lines encircling enlargement portions of the claimed design form no part of the claimed design.

1 Claim, 18 Drawing Sheets



(58) **Field of Classification Search**

CPC .. F25D 11/00; F25D 17/065; F25D 2325/022;
F25D 23/069; F25D 25/025; F25D 11/02;
F25D 17/062; F25D 21/12; F25D 21/125;
F25D 21/14; F25D 2317/061; F25D
2317/067; F25D 2323/021; F25D
2323/024; F25D 23/028; F25D 23/04;
F25D 23/066; F25D 23/085; F25D
23/087; F25D 23/126; F25D 2400/02;
F25D 2400/06; F25D 2400/361; F25D
2400/40; F25D 25/005; F25D 25/02;
F25D 2600/02; F25D 2700/02; F25D
2700/12; F25D 2700/121; F25D 2700/14;
F25D 29/00

See application file for complete search history.

(56) **References Cited**

U.S. PATENT DOCUMENTS

D966,352	S	*	10/2022	Lee	D15/89
D967,877	S	*	10/2022	Choi	D15/89
D967,878	S	*	10/2022	Yoon	D15/91
D970,565	S	*	11/2022	Yang	D15/89

FOREIGN PATENT DOCUMENTS

EM	000071907-0007	9/2003
EM	001290563-0001	8/2011
KR	300761686 S	9/2014

* cited by examiner

FIG. 1

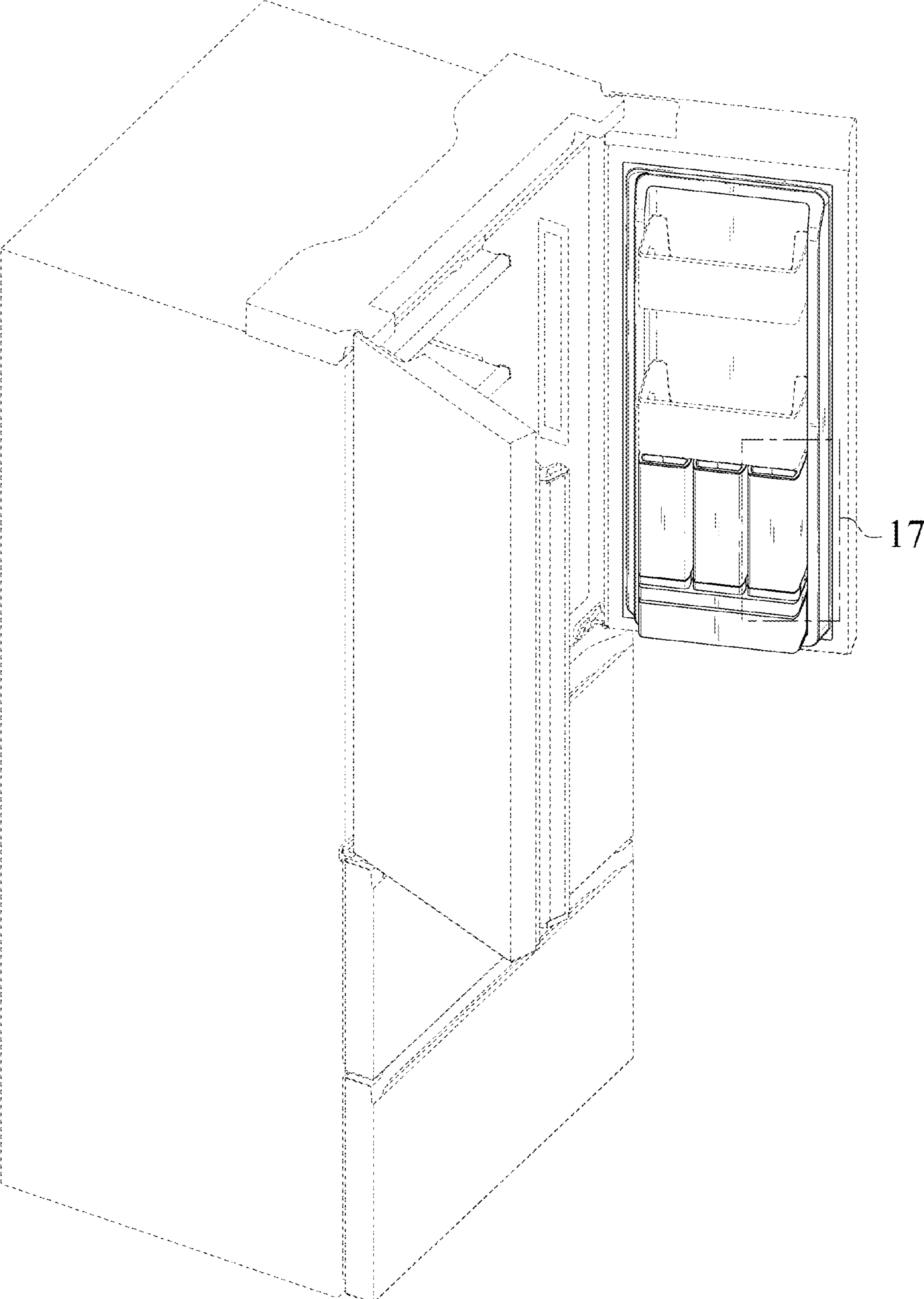


FIG. 2

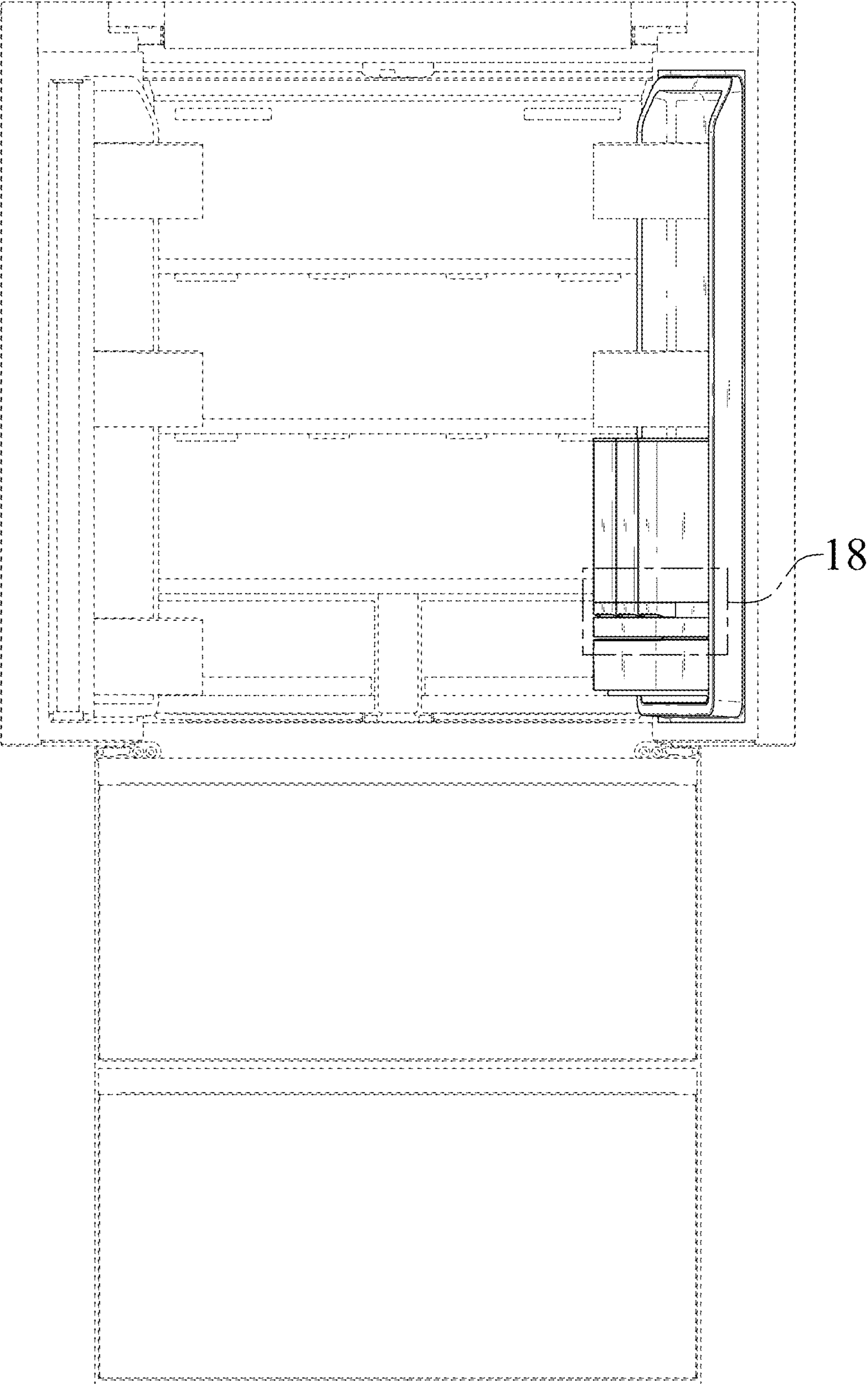


FIG. 3

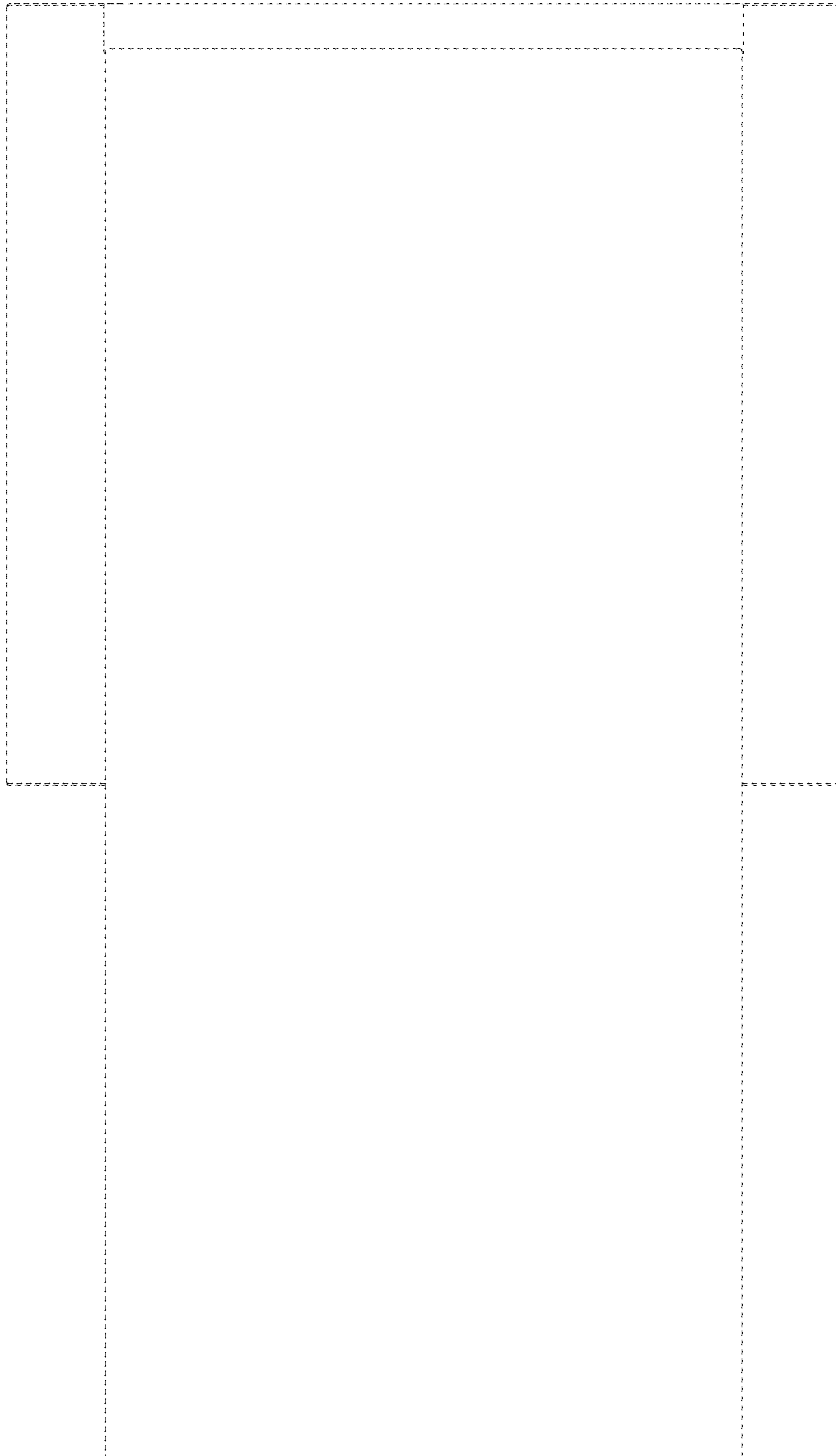


FIG. 4

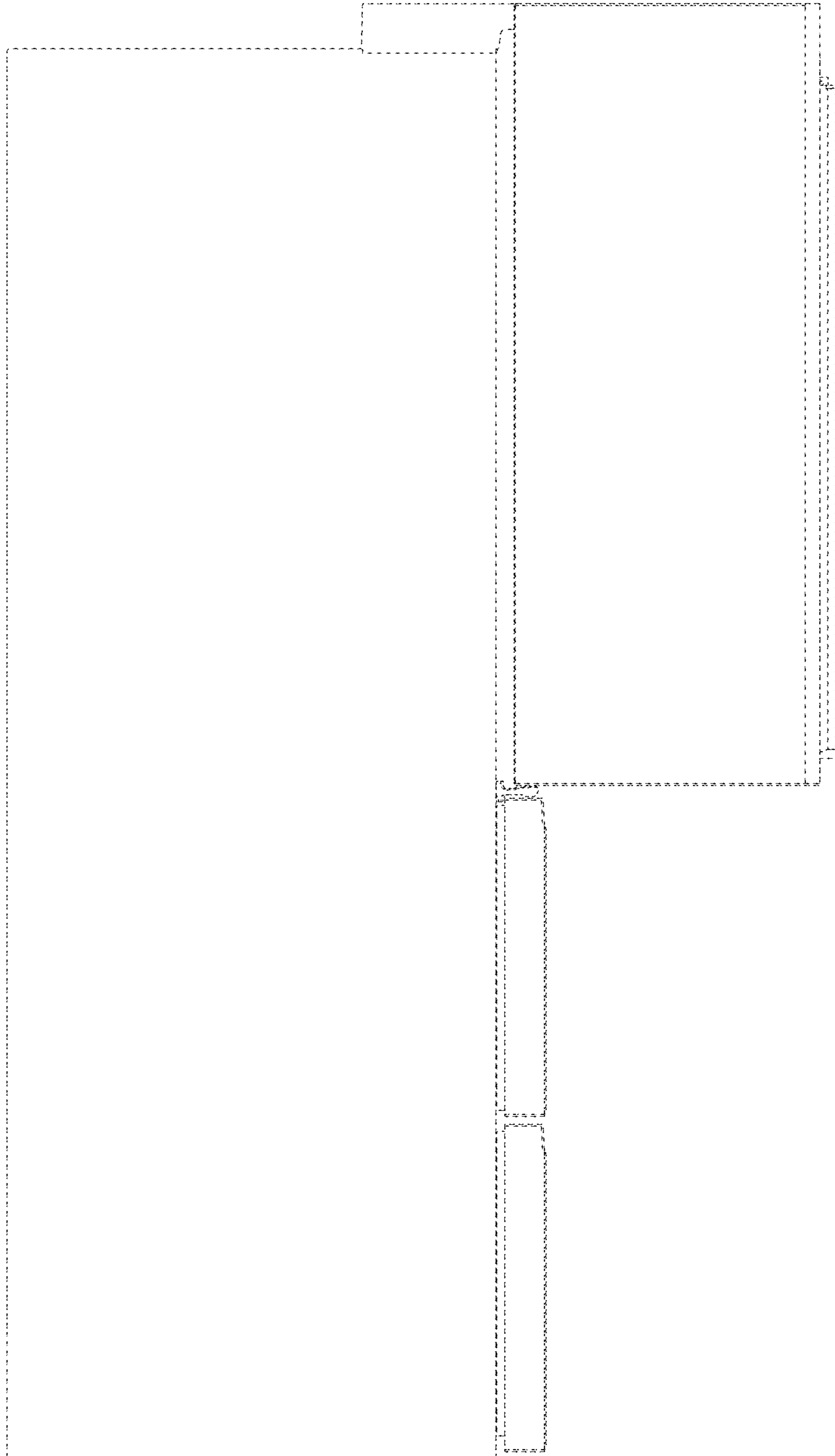


FIG. 5

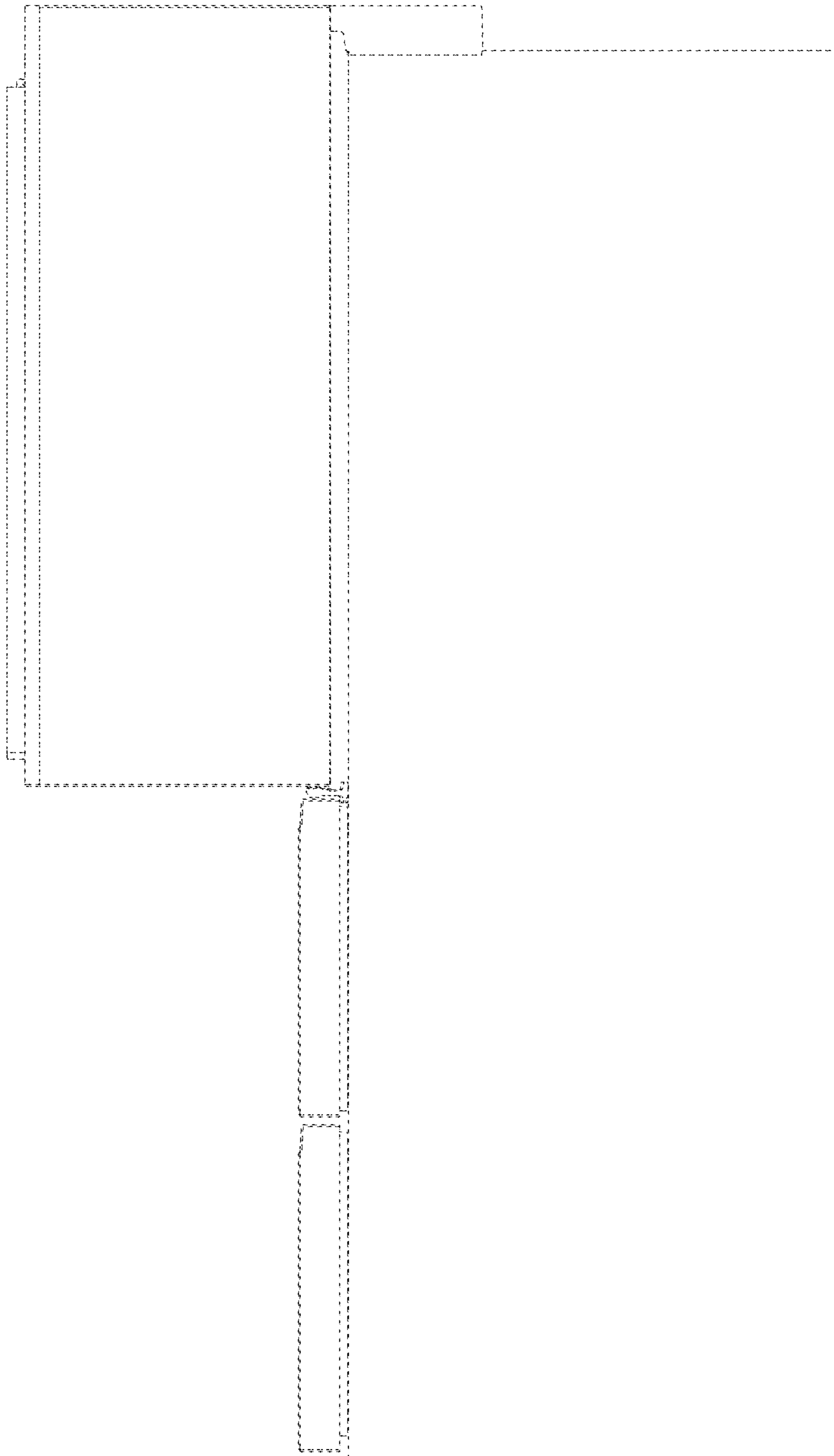


FIG. 6

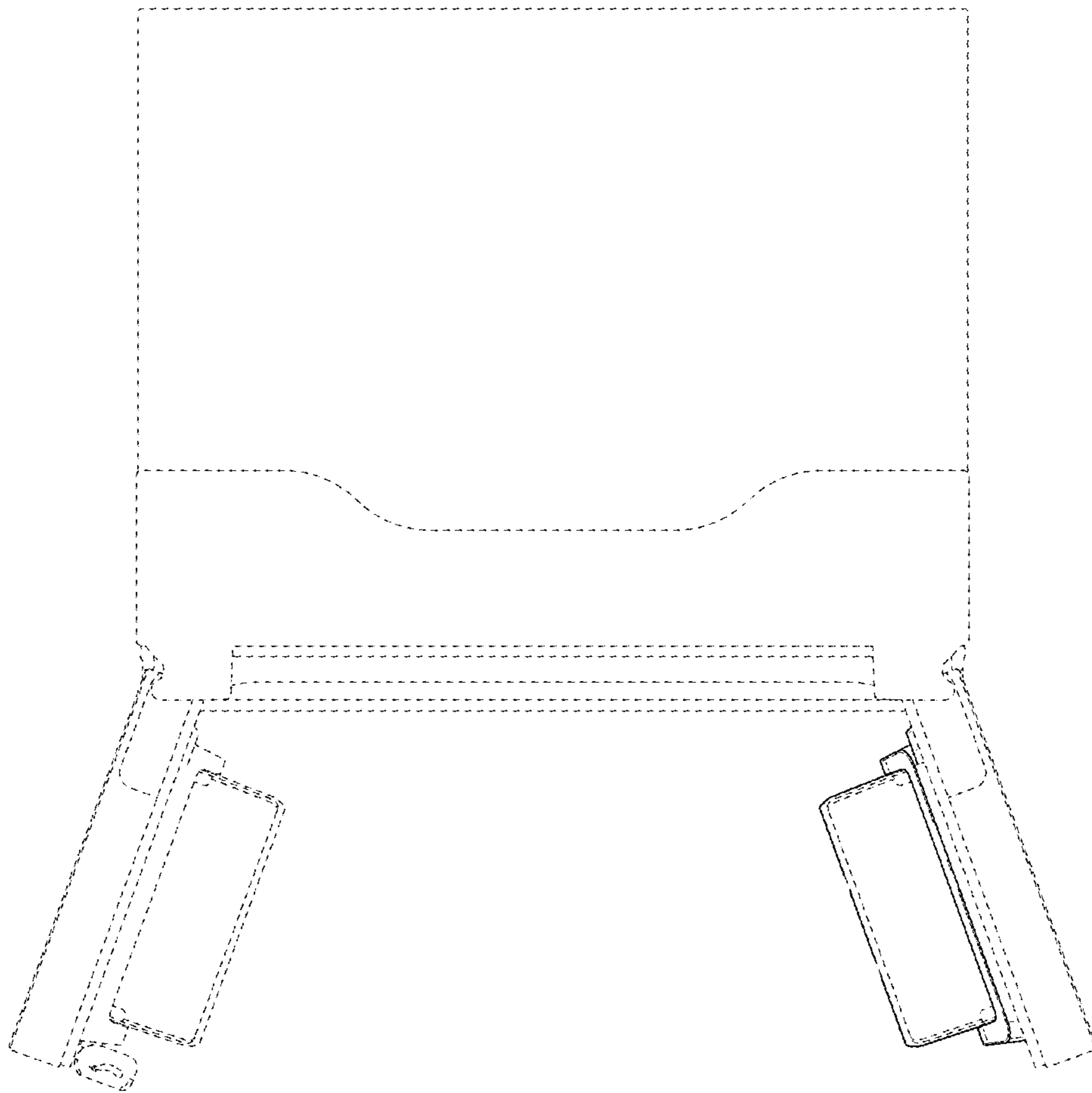


FIG. 7

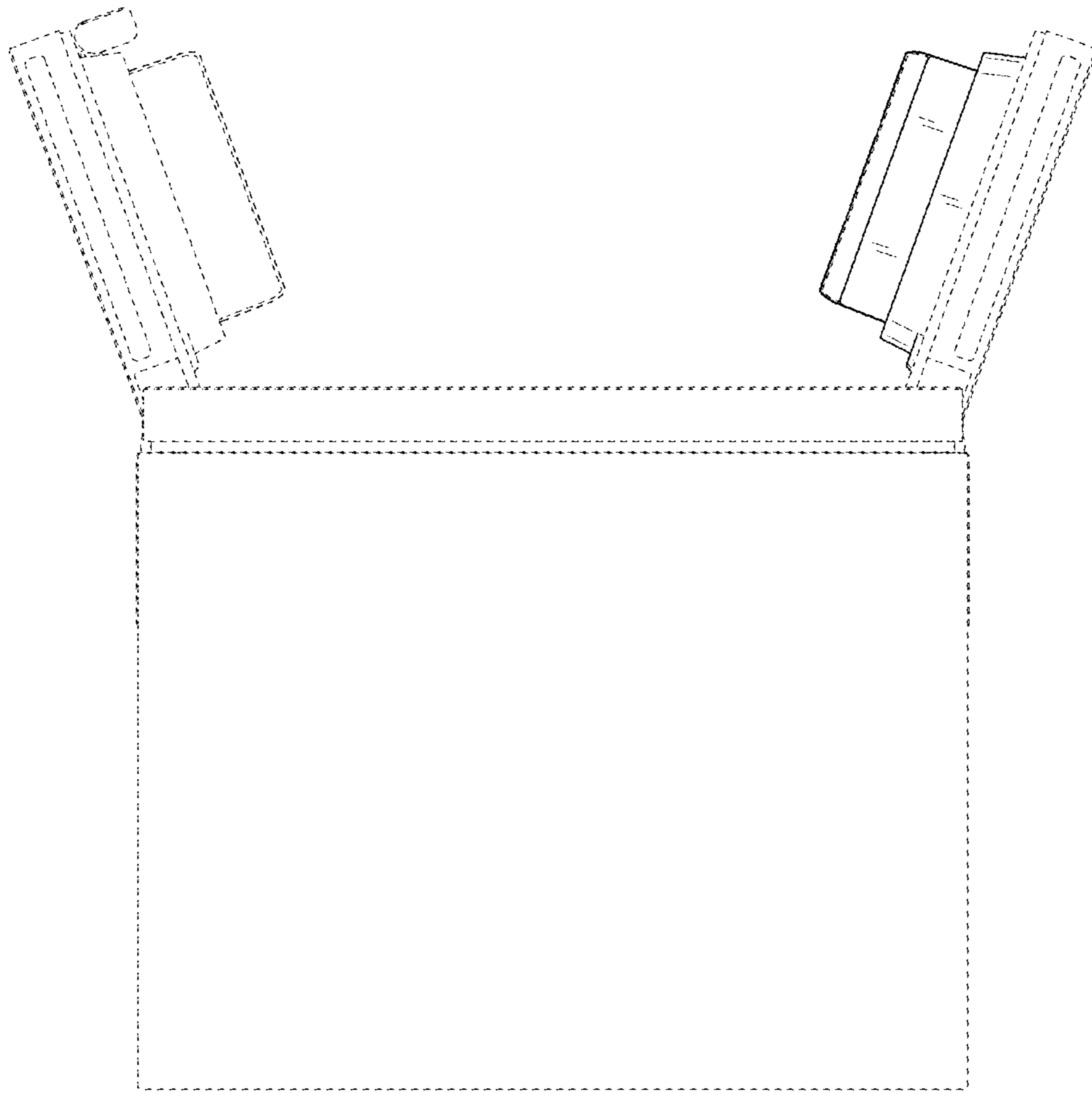


FIG. 8

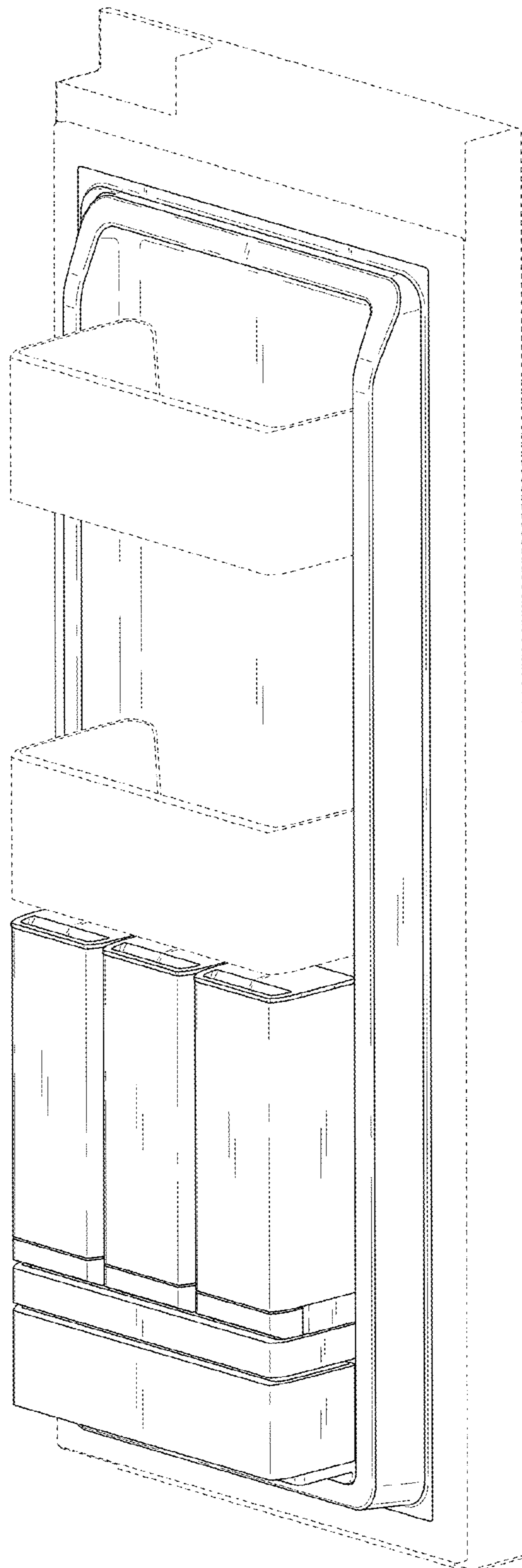
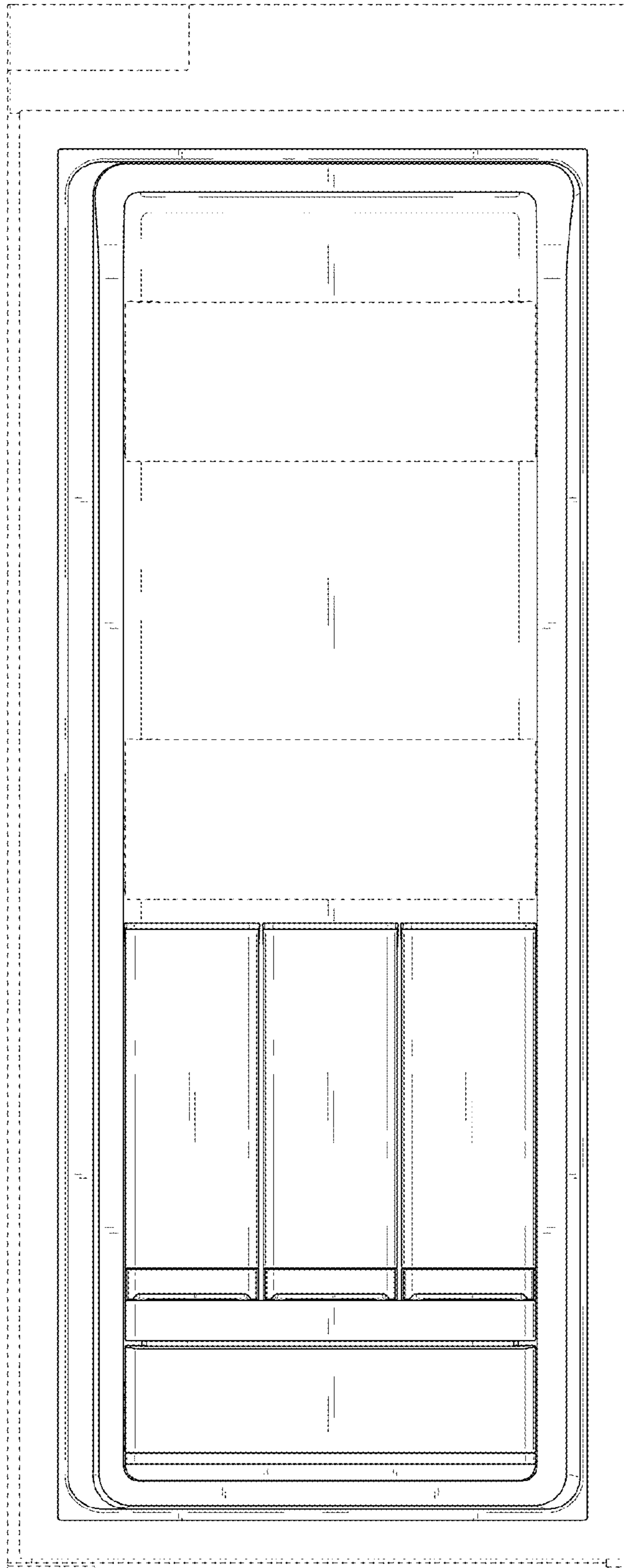


FIG. 9

15 →



15 →

FIG. 10

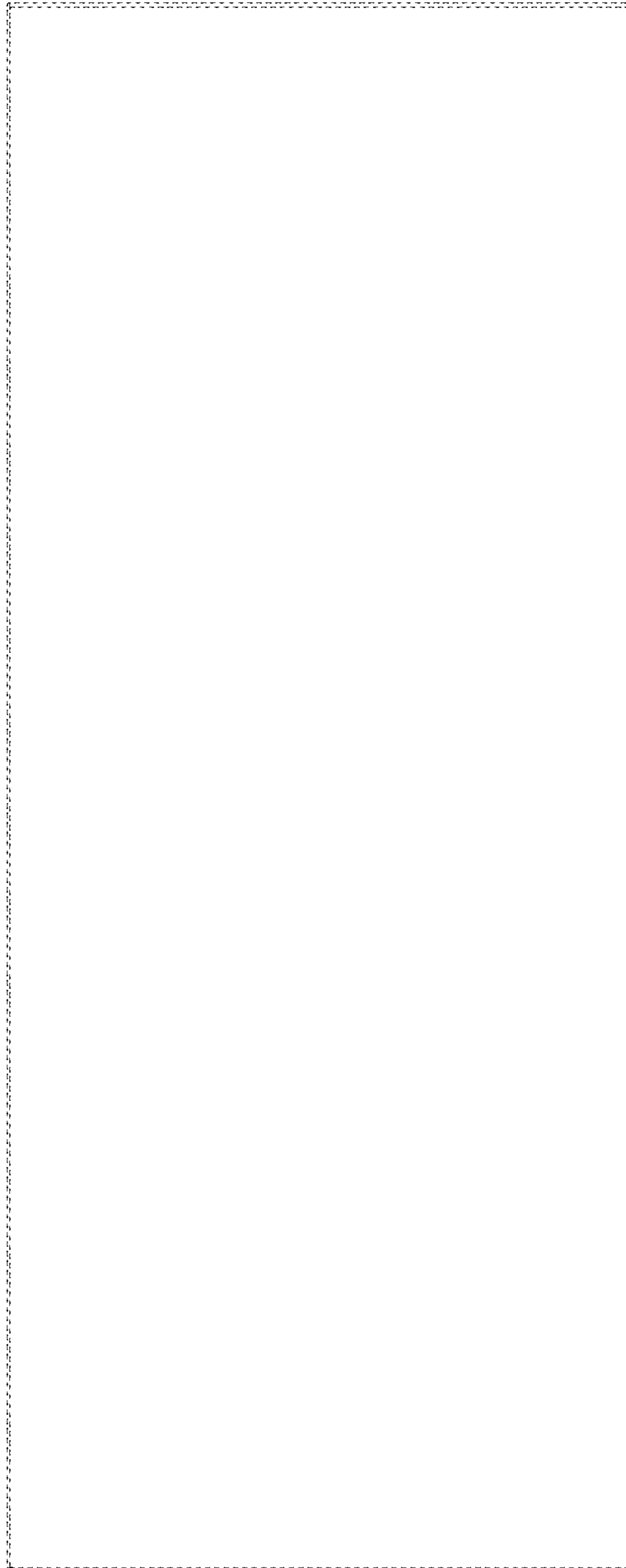


FIG. 11

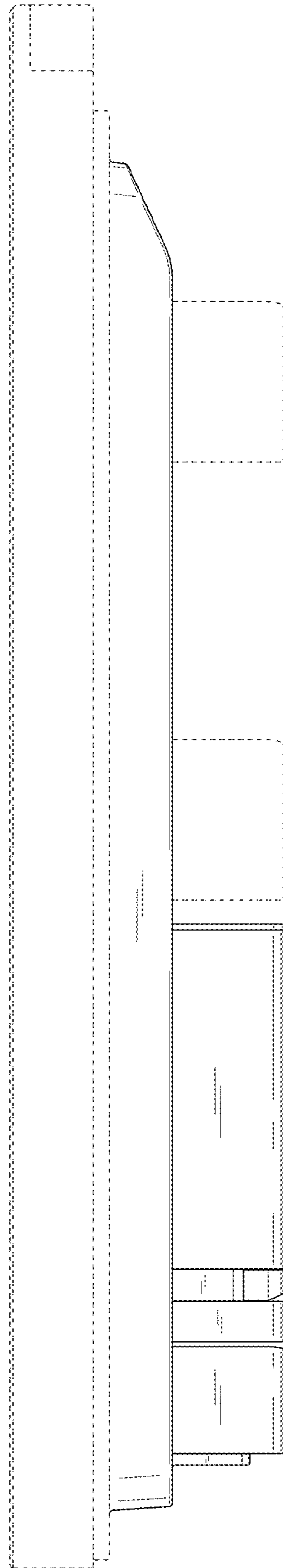


FIG. 12

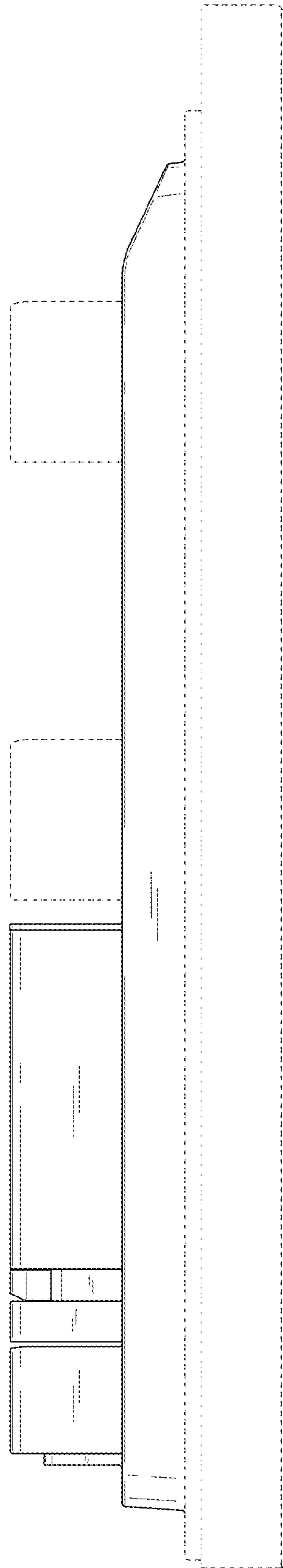


FIG. 13

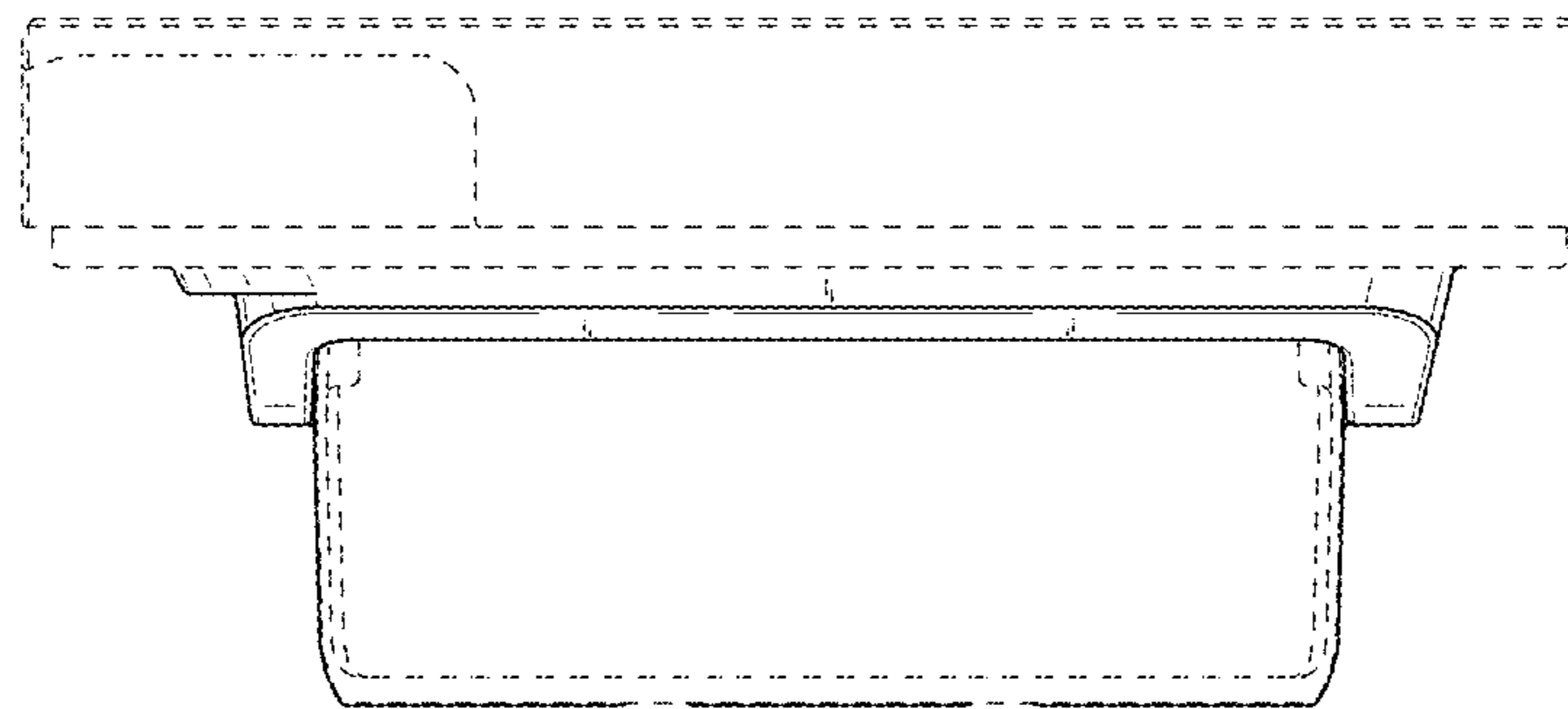


FIG. 14

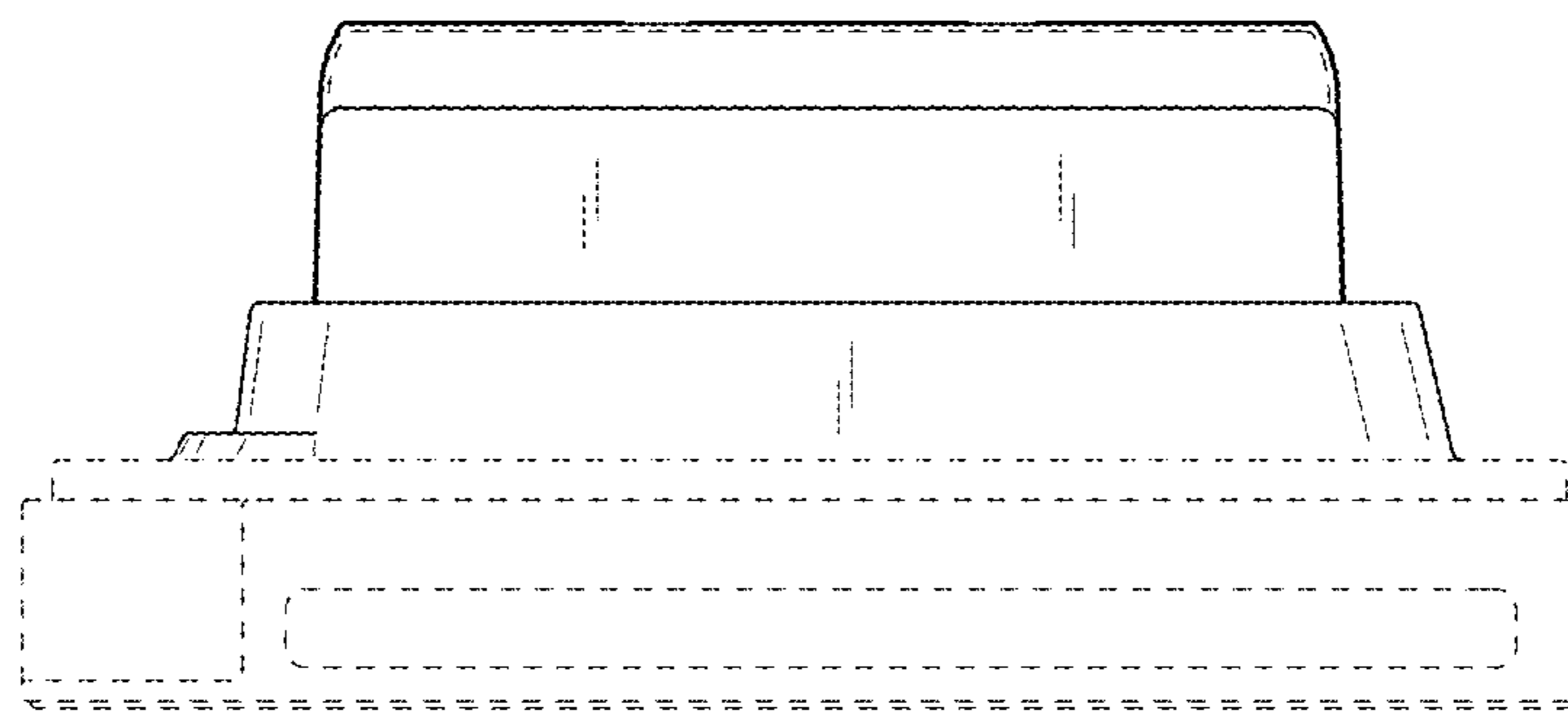


FIG. 15

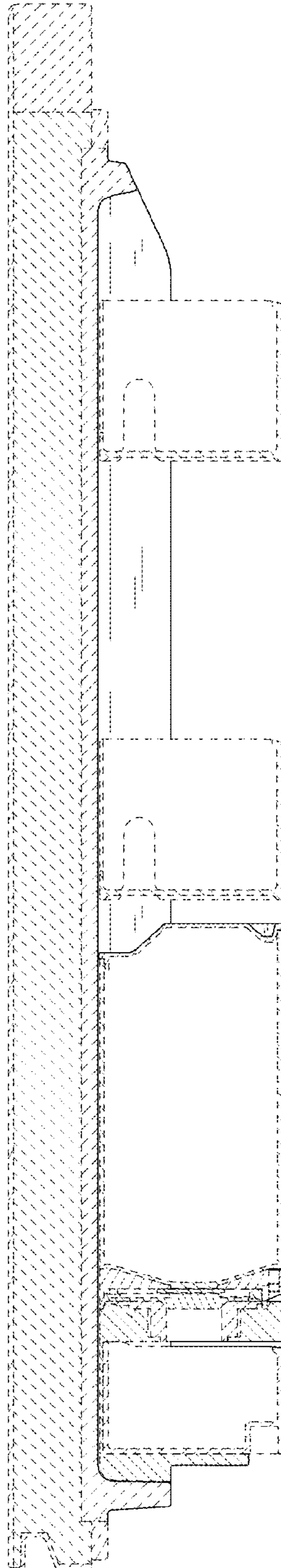


FIG. 16

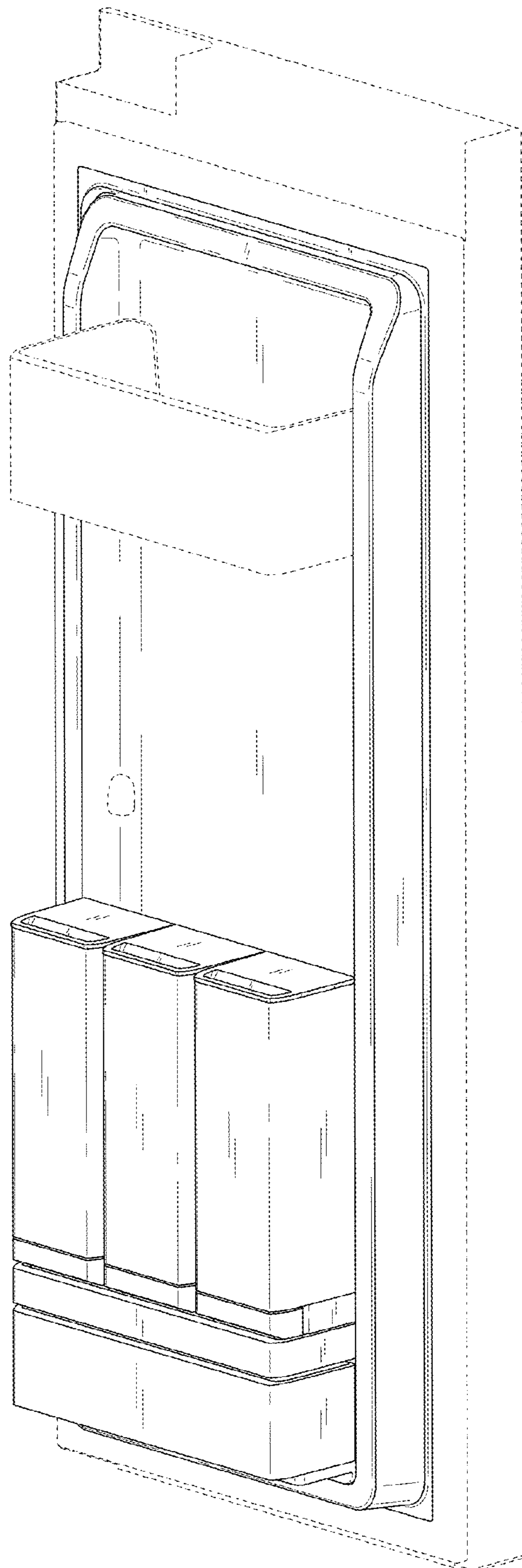


FIG. 17

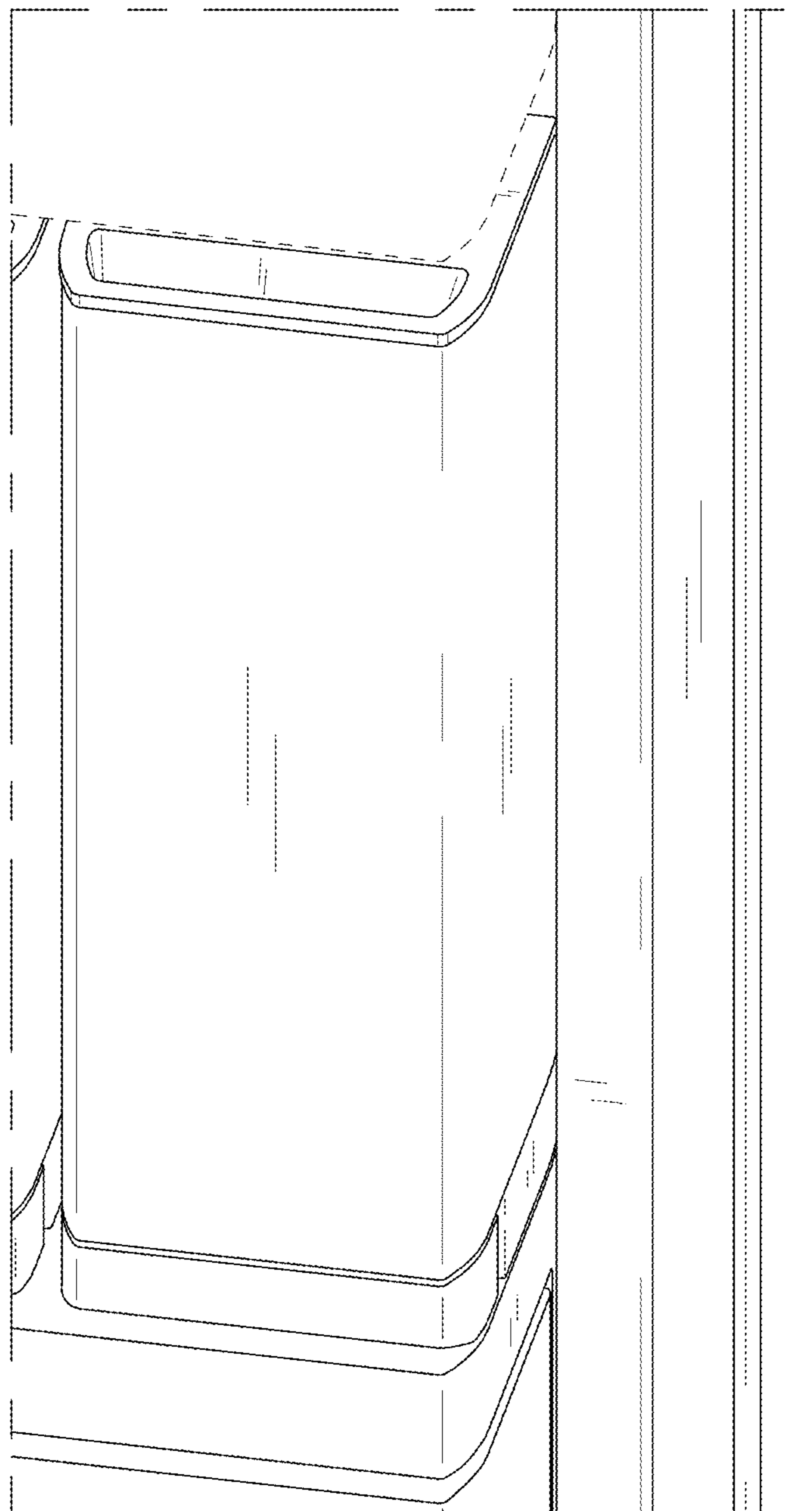


FIG. 18

