



US00D986298S

(12) **United States Design Patent**
Tang

(10) **Patent No.:** **US D986,298 S**

(45) **Date of Patent:** **** May 16, 2023**

(54) **PORTABLE REFRIGERATOR**

(71) Applicant: **ACOSOLAR INC.**, Walnut, CA (US)

(72) Inventor: **Longhua Tang**, Walnut, CA (US)

(**) Term: **15 Years**

(21) Appl. No.: **29/785,428**

(22) Filed: **May 25, 2021**

(51) **LOC (14) Cl.** **15-07**

(52) **U.S. Cl.**

USPC **D15/79**; D15/81; D15/83

(58) **Field of Classification Search**

USPC D15/79, 81, 83

CPC F25D 11/00; F25D 11/003; F25D 3/00;

F25D 3/06; F25D 3/08; F25D 2400/10;

F25D 2400/12; F25D 2331/804

See application file for complete search history.

(56) **References Cited**

U.S. PATENT DOCUMENTS

D328,689 S *	8/1992	Riskowski	D15/83
D352,420 S *	11/1994	Costello	D7/323
D548,249 S *	8/2007	Okamoto	D15/84
D558,239 S *	12/2007	Takemoto	D15/79
D750,140 S *	2/2016	Cross	D15/81
D802,028 S *	11/2017	Li	D15/81
D802,029 S *	11/2017	Li	D15/81
D802,630 S *	11/2017	Li	D15/81
D851,138 S *	6/2019	Murobayashi	D15/81
D880,540 S *	4/2020	Xie	D15/83
10,641,538 B1 *	5/2020	Tang	F25B 27/00
D898,083 S *	10/2020	Yao	D15/79
D905,129 S *	12/2020	Deng	D15/81
D906,377 S *	12/2020	Tang	D15/79
D909,432 S *	2/2021	Xu	D15/79
D916,144 S *	4/2021	Deng	D15/79
D922,454 S *	6/2021	Tang	D15/79
11,072,484 B1 *	7/2021	Silva	B65D 43/16
D929,471 S *	8/2021	Meda	D15/79

D937,328 S *	11/2021	Tang	D15/79
D939,434 S *	12/2021	Tang	D13/103
D944,299 S *	2/2022	Astle	D15/79
D946,635 S *	3/2022	Deng	D15/79
D948,292 S *	4/2022	Deng	D7/605
D952,701 S *	5/2022	Shi	D15/83
D954,764 S *	6/2022	Meda	D15/79
D958,201 S *	7/2022	Zhao	D15/79
D958,203 S *	7/2022	Tang	D15/83

(Continued)

Primary Examiner — Calvin E Vansant

Assistant Examiner — Eidiol Ghigliotty Torres

(74) *Attorney, Agent, or Firm* — Tsz Lung Yeung

(57) **CLAIM**

The ornamental design for a portable refrigerator, as shown and described.

DESCRIPTION

FIG. 1 is a perspective view of a portable refrigerator showing my new design;

FIG. 2 is a front view thereof;

FIG. 3 is a rear view thereof;

FIG. 4 is a left side view thereof;

FIG. 5 is a right side view thereof;

FIG. 6 is a top view thereof;

FIG. 7 is a bottom view thereof;

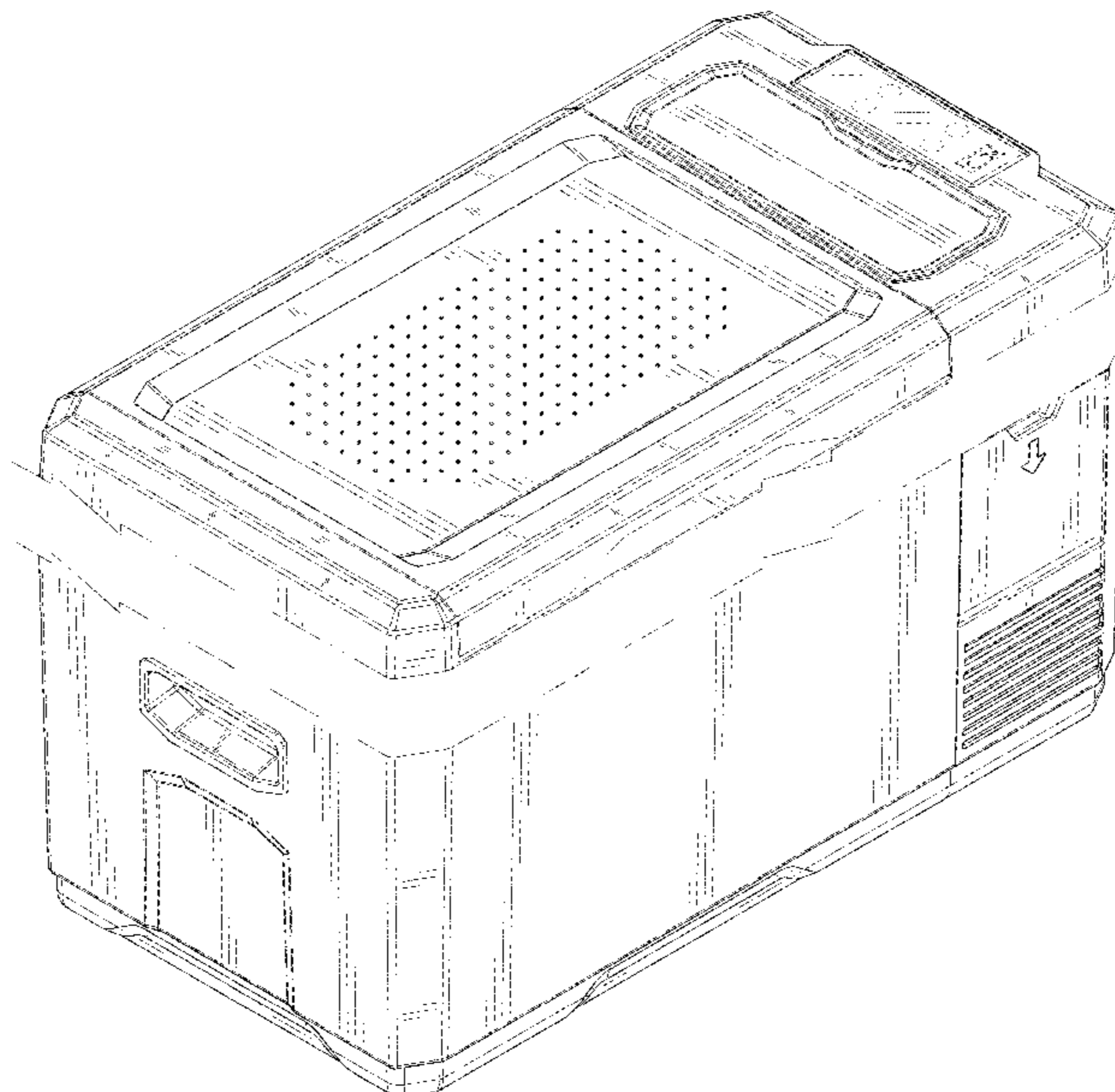
FIG. 8 is a perspective view thereof, showing the cup holder cover in an open position;

FIG. 9 is a perspective view thereof, shown in a small-size in-use condition; and,

FIG. 10 is a perspective view thereof, shown in a medium-size in-use condition.

The portable refrigerator is shown with a symbolic break in its length. The appearance of any portion of the portable refrigerator between the break lines forms no part of the claimed design. The broken lines depict portions of the portable refrigerator that form no part of the claimed design.

1 Claim, 10 Drawing Sheets



(56)

References Cited

U.S. PATENT DOCUMENTS

D958,846	S	*	7/2022	Zhao	D15/79
D960,940	S	*	8/2022	Deng	D15/79
D961,629	S	*	8/2022	Zhao	D15/79
D961,635	S	*	8/2022	Shi	D15/83
D962,300	S	*	8/2022	Keetch	D15/79
D963,706	S	*	9/2022	Deng	D15/79
D963,707	S	*	9/2022	Zhang	D15/79
D964,436	S	*	9/2022	Yang	F25B 27/00 D15/83

* cited by examiner

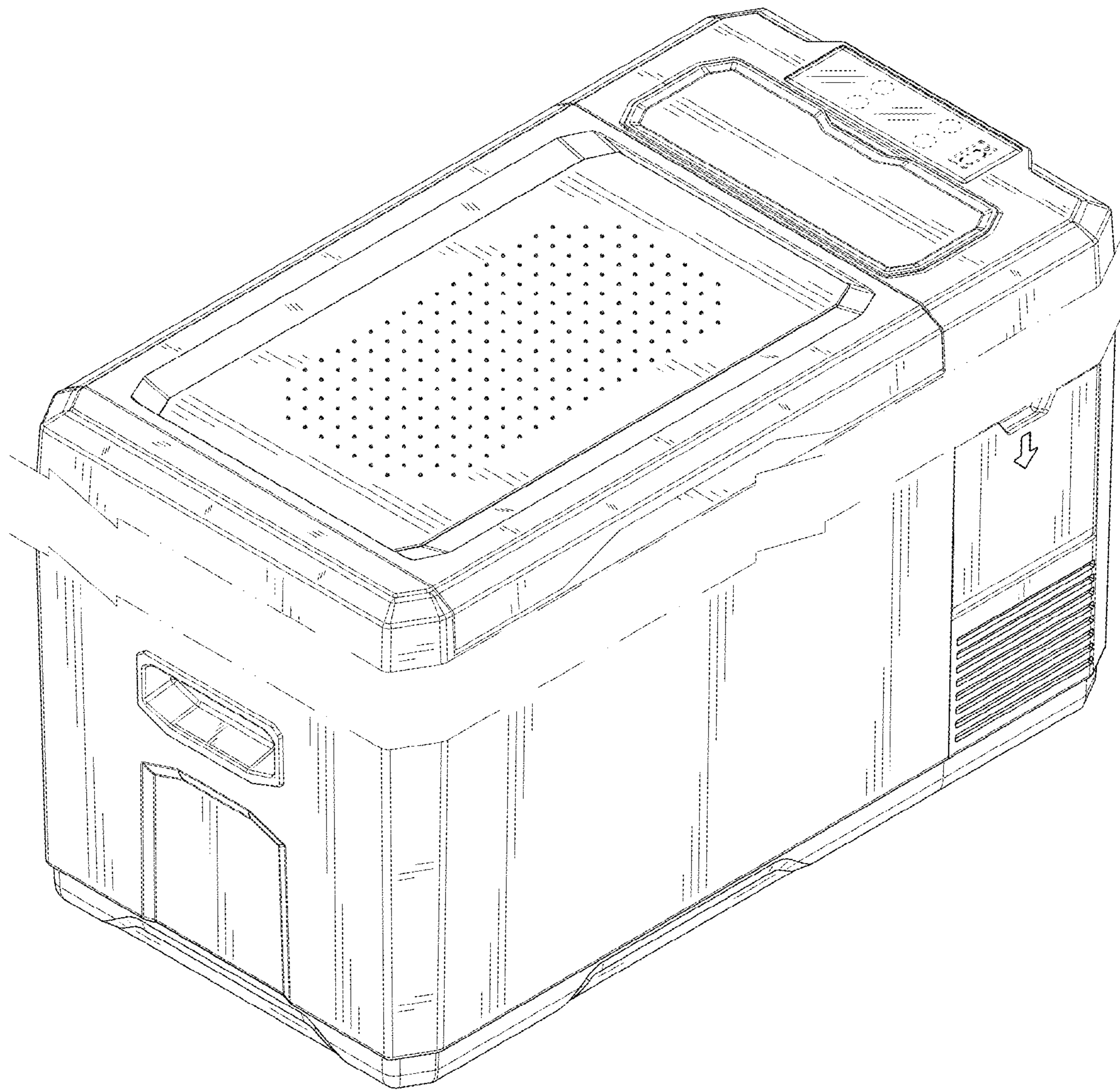


FIG. 1

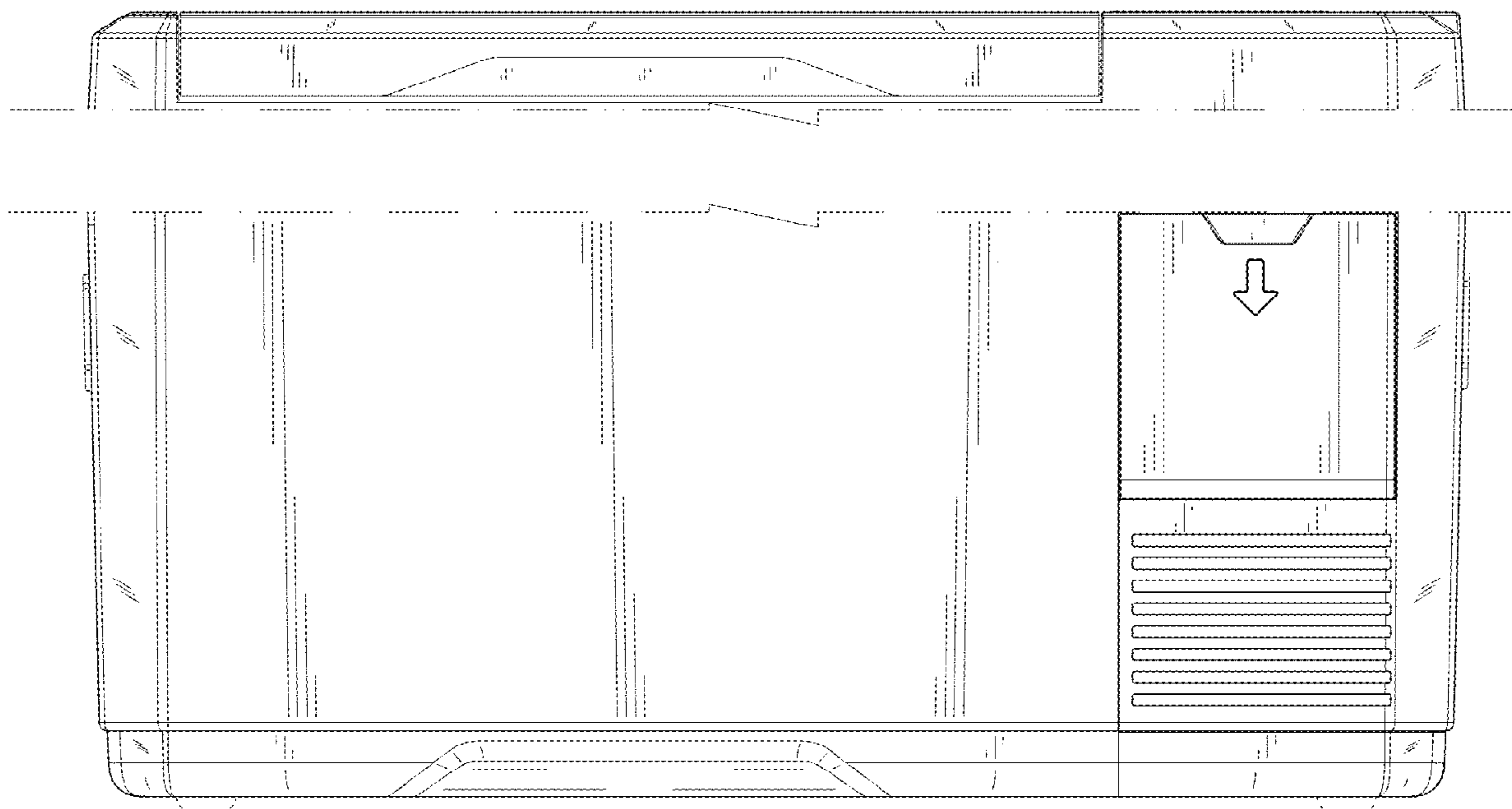


FIG. 2

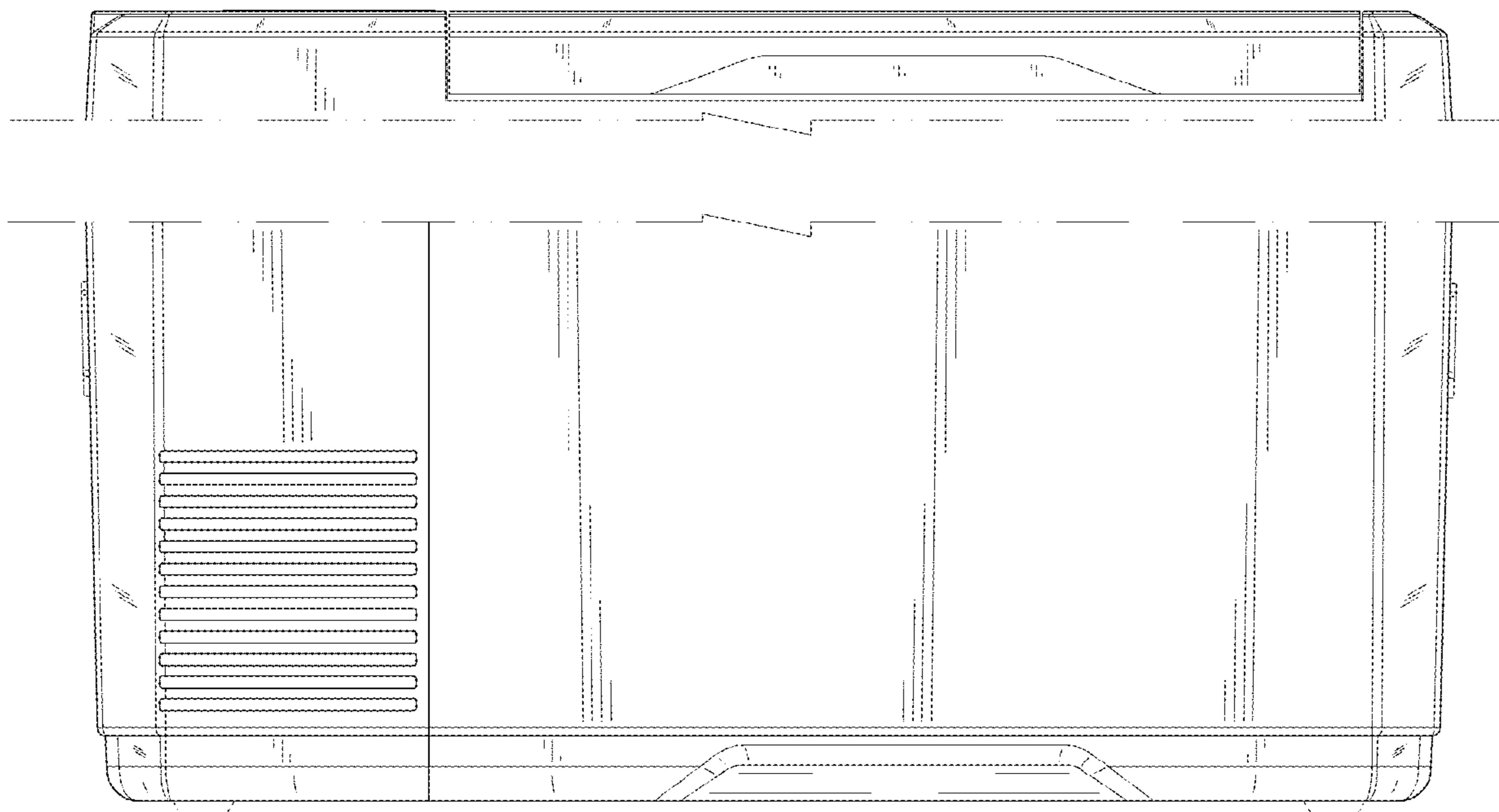


FIG. 3

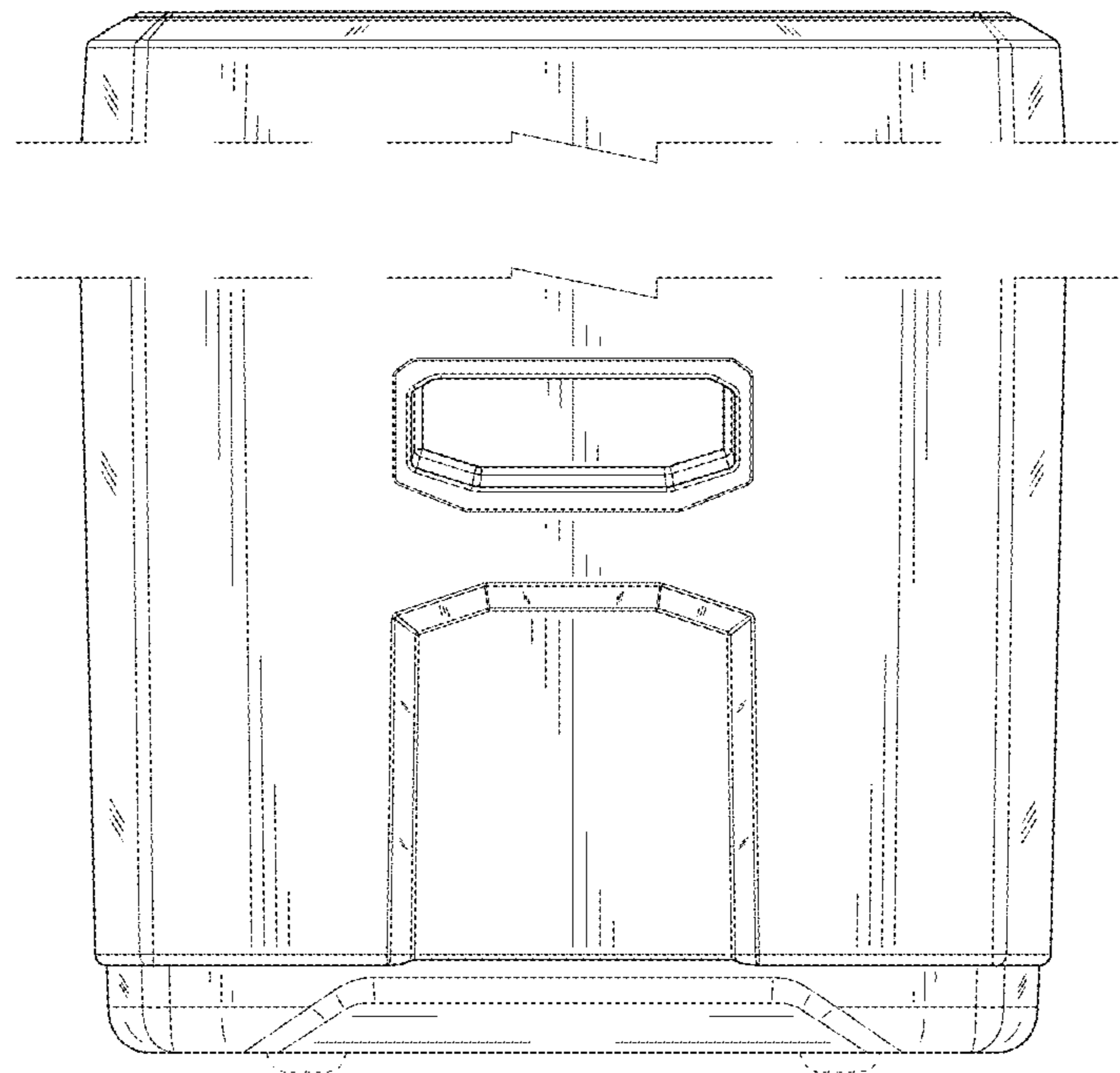


FIG. 4

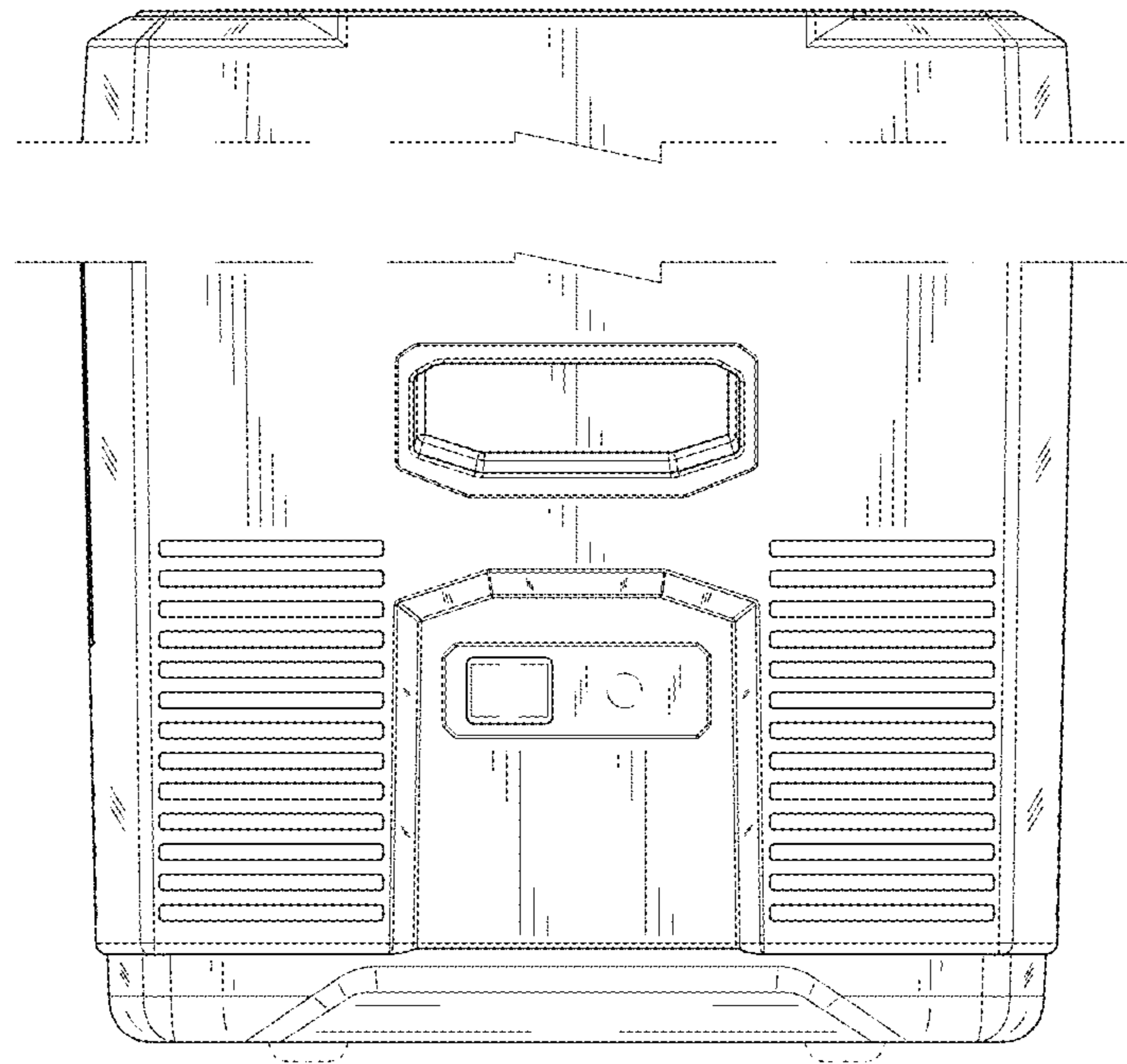


FIG. 5

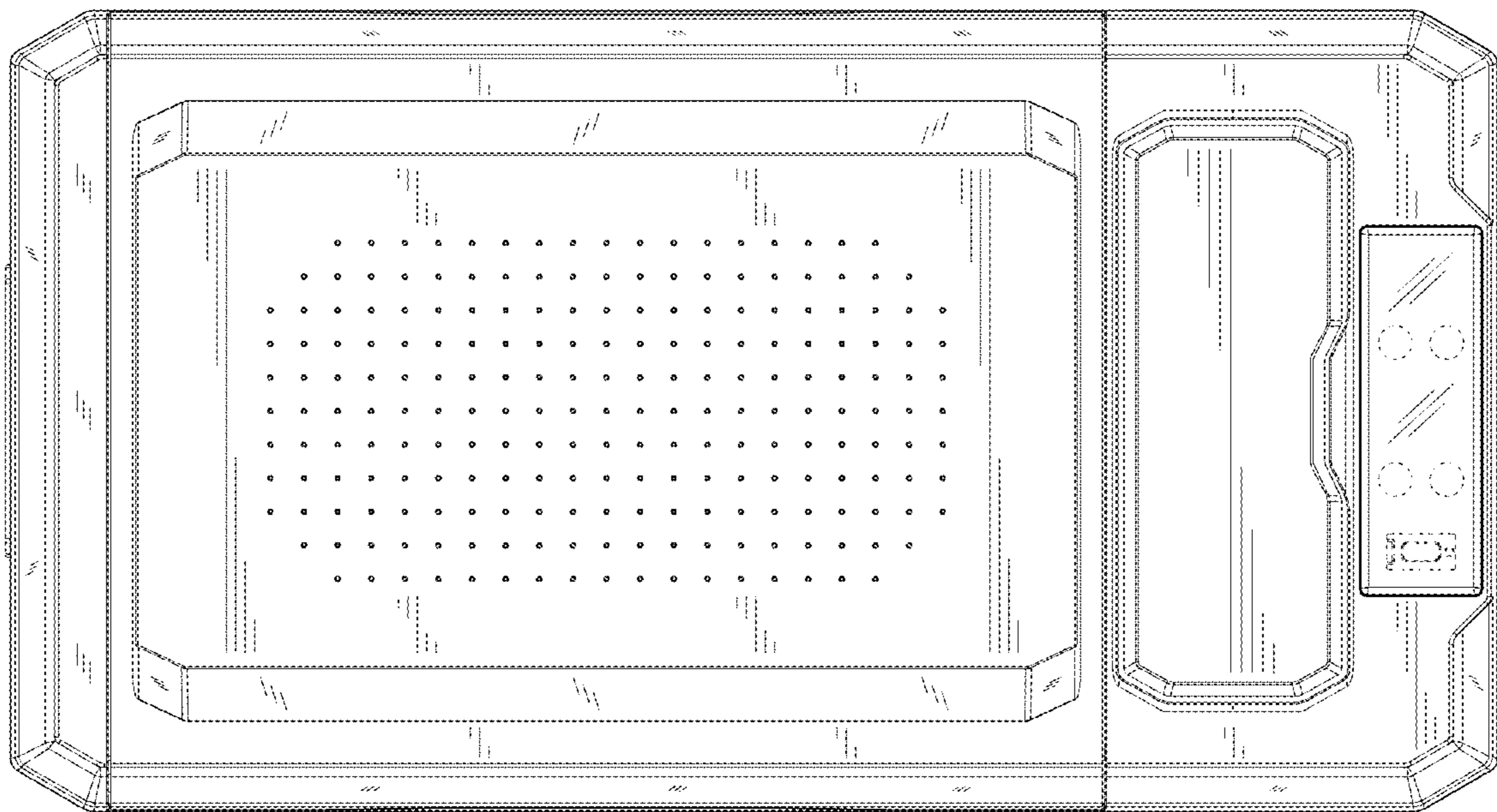


FIG. 6

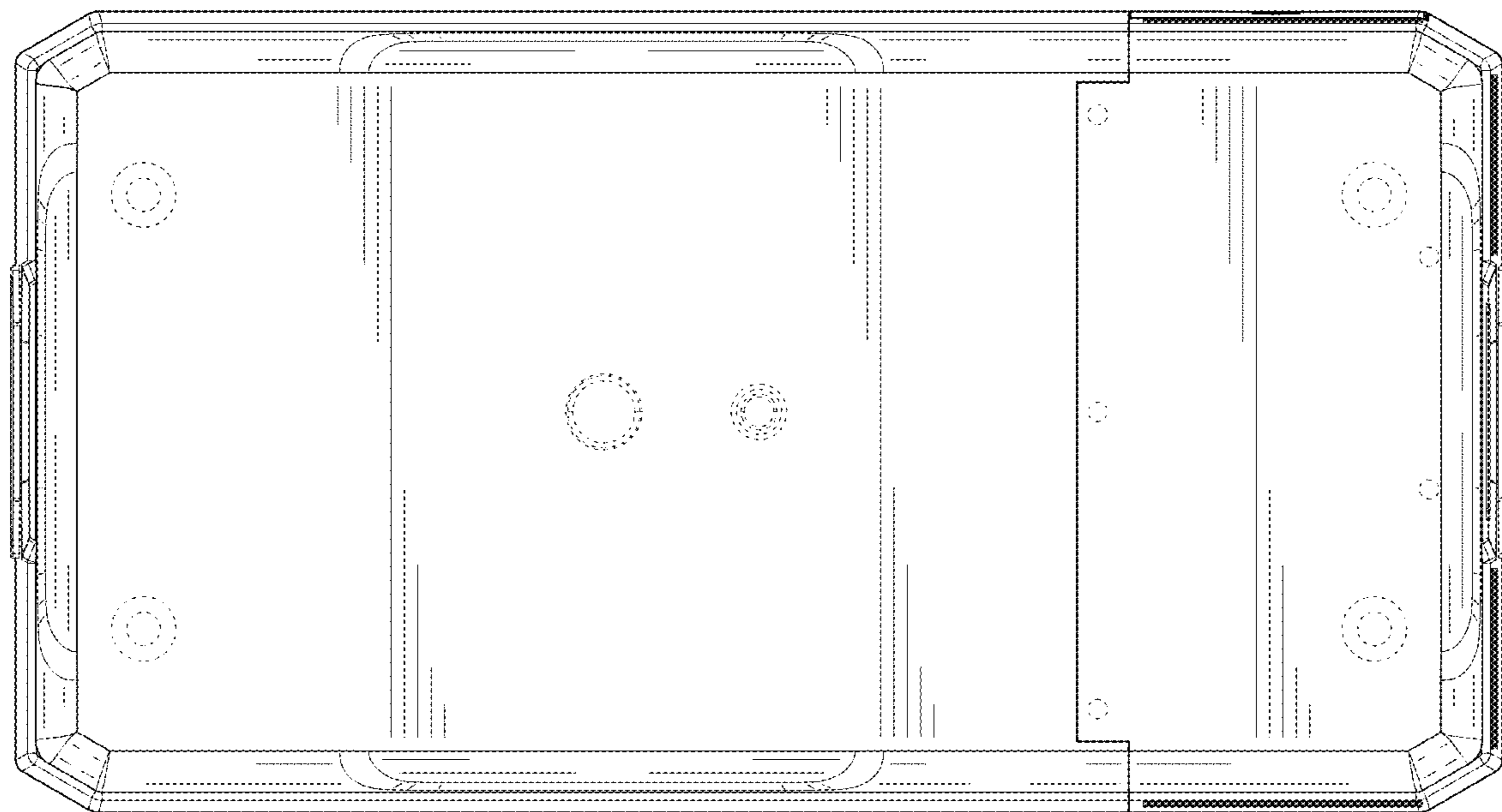


FIG. 7

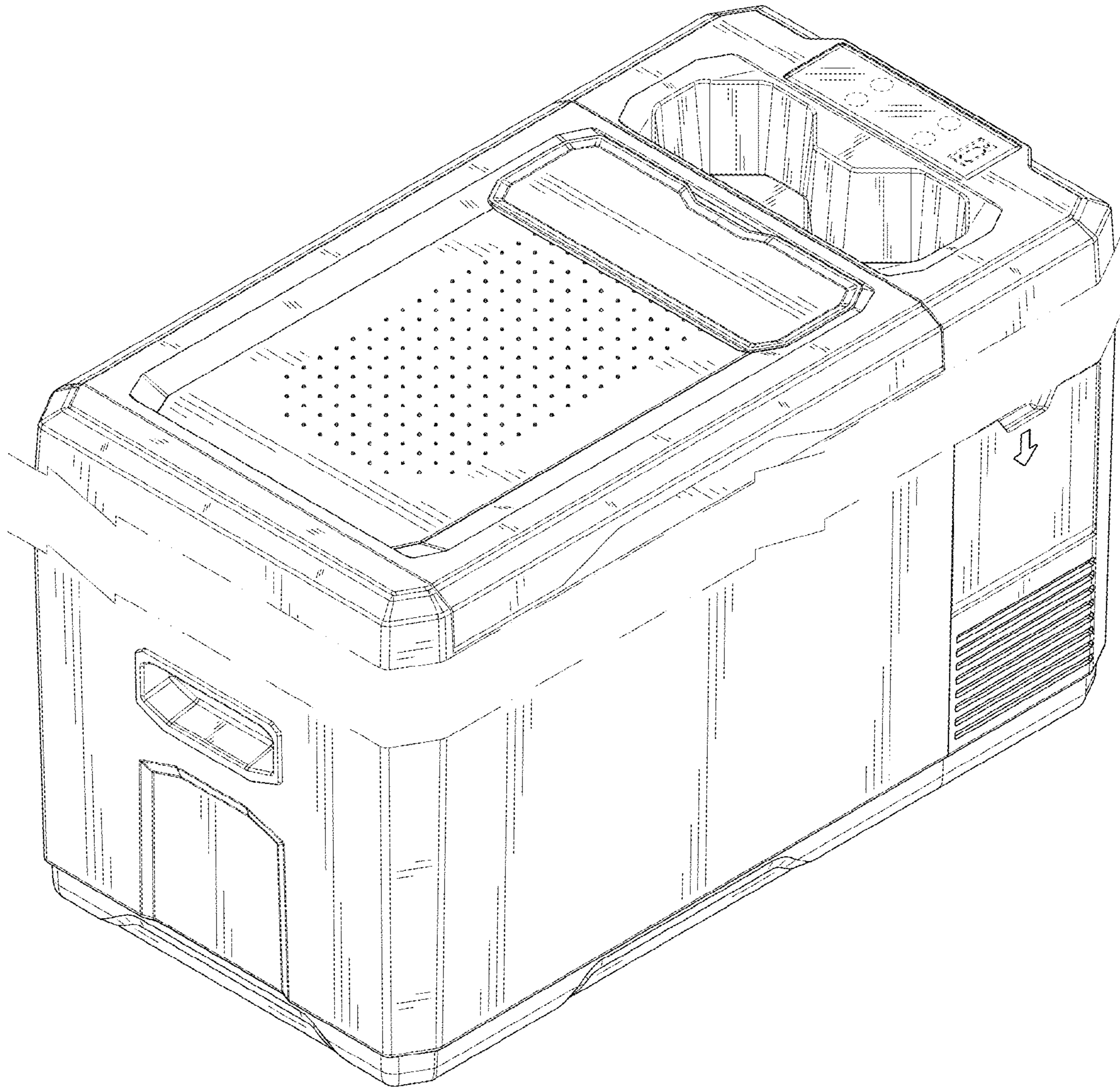


FIG. 8

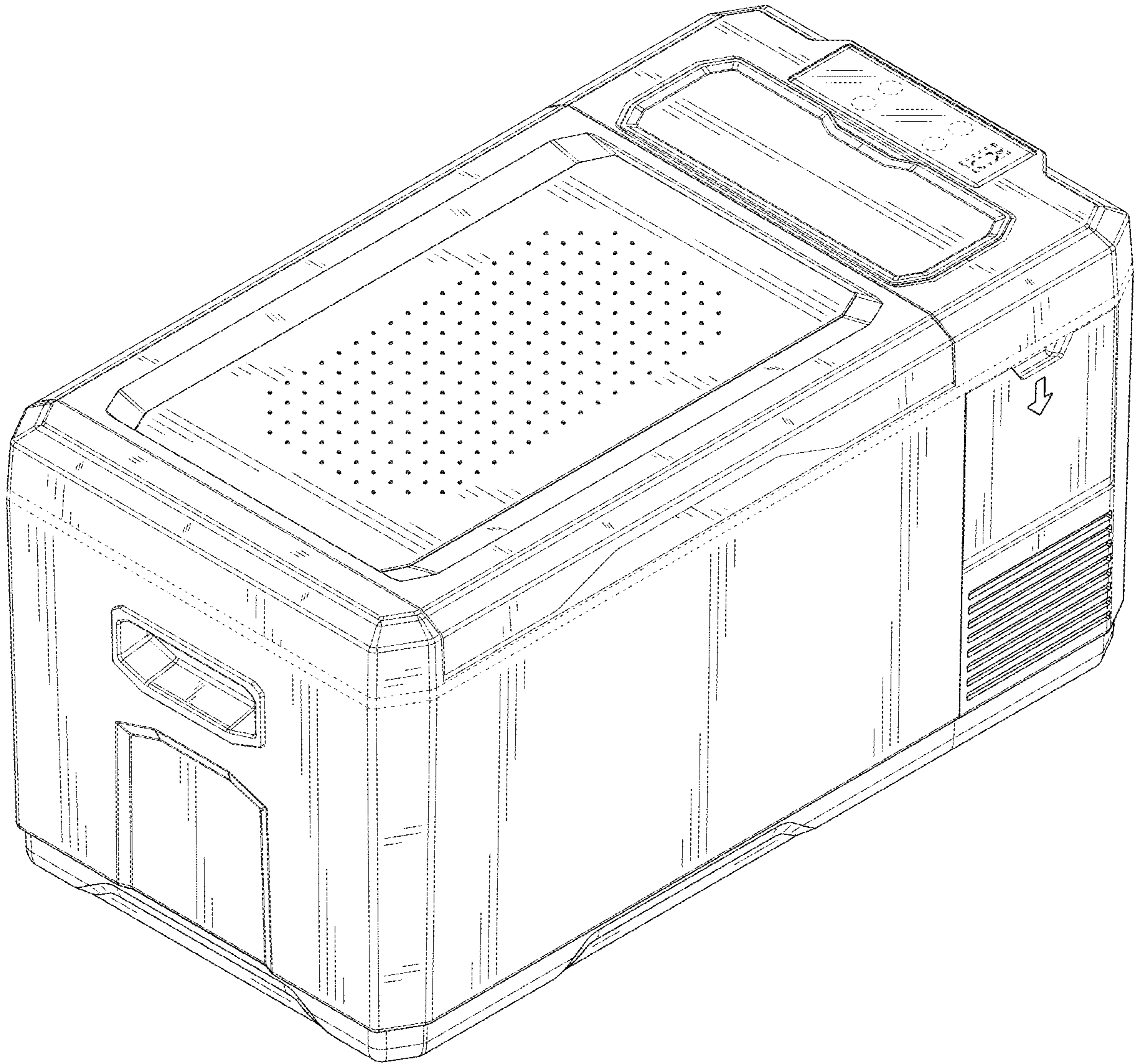


FIG. 9

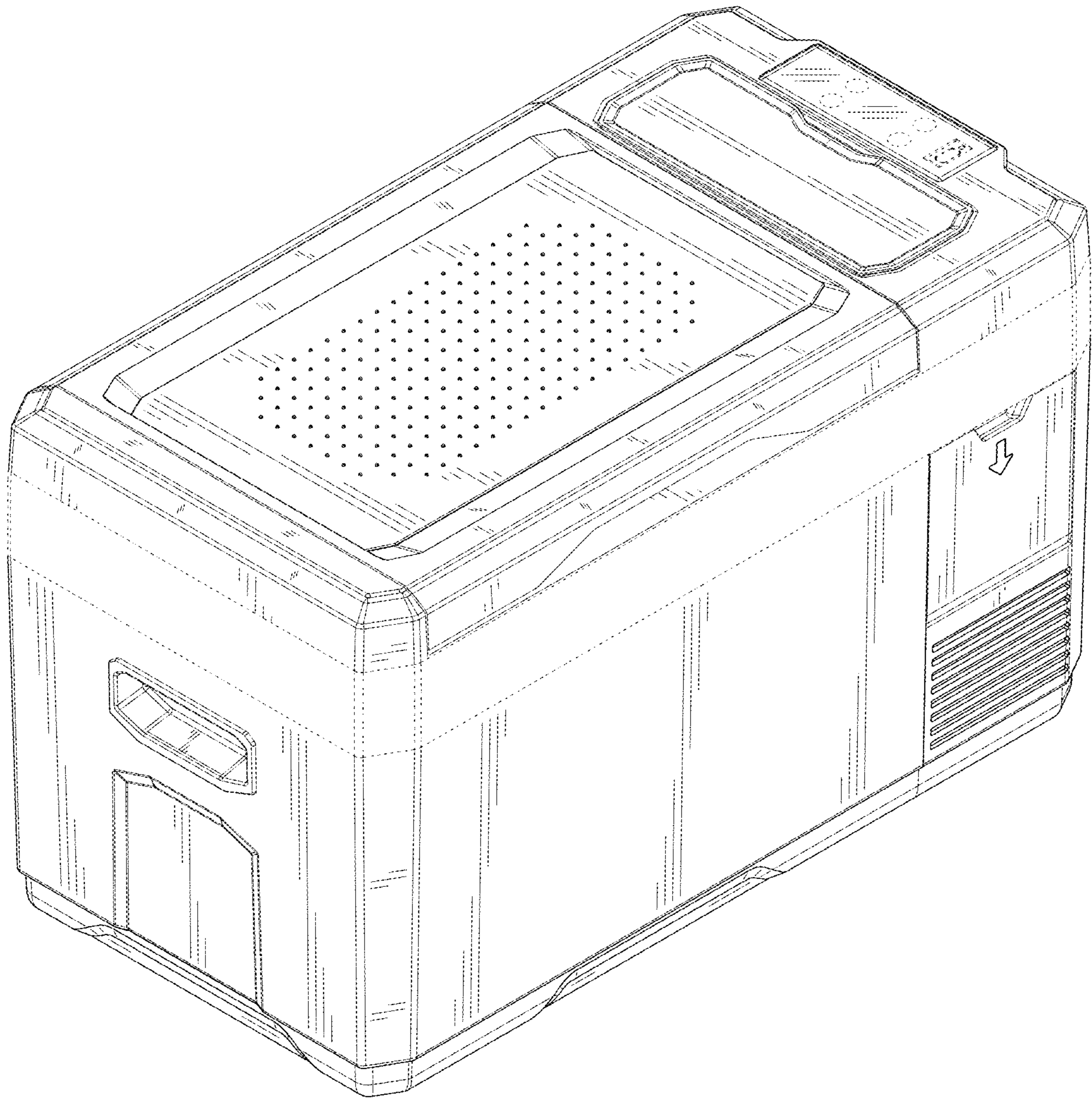


FIG. 10