



US00D986297S

(12) **United States Design Patent** (10) **Patent No.:** **US D986,297 S**
Anderson (45) **Date of Patent:** **** May 16, 2023**

(54) **BOBBIN HOLDER**

FOREIGN PATENT DOCUMENTS

(71) Applicant: **PRYM CONSUMER USA, INC.**,
Spartanburg, SC (US)

SE 525333 C2 * 2/2005 B65H 49/38

(72) Inventor: **Victoria L. Anderson**, Greenville, SC
(US)

OTHER PUBLICATIONS

(73) Assignee: **PRYM CONSUMER USA, INC.**,
Spartanburg, SC (US)

Bobbin Storage, available in Amazon.com, date first available Dec. 11, 2020 [online], [Dec. 7, 2022], Available from the internet URL: https://www.amazon.com/Dritz-Bobbin-Boat-10-Green/dp/B08QDQ61S8/ref=sr_1_4?crd=40852HZTYI0D&keywords=bobbin+boat&qid=1670453819&sprefix=bobbin+boat%2Caps%2C177&sr=8-4 (Year: 2020).*

(**) Term: **15 Years**

* cited by examiner

(21) Appl. No.: **29/779,601**

Primary Examiner — Calvin E Vansant

(22) Filed: **Apr. 20, 2021**

Assistant Examiner — Eldiol Ghigliotty Torres

(51) **LOC (14) Cl.** **02-07**

(74) *Attorney, Agent, or Firm* — Nelson Mullins Riley & Scarborough LLP

(52) **U.S. Cl.**

USPC **D3/24**; D3/20; D3/23; D3/25; D15/78

(58) **Field of Classification Search**

USPC D3/18, 20, 23, 24, 25, 26; D8/71;
D15/78

CPC . D05C 1/065; D04B 3/06; B65D 1/00; B65D
1/34; B65D 1/38; D05B 91/14; B65H
2701/31

See application file for complete search history.

(57) **CLAIM**

The ornamental design for a bobbin holder, as shown and described.

DESCRIPTION

FIG. 1 is a top perspective view of the bobbin holder according to the present design;

FIG. 2 is a front view of the bobbin holder as seen in FIG. 1;

FIG. 3 is a rear view of the bobbin holder as seen in FIG. 1;

FIG. 4 is a left side view of the bobbin holder as seen in FIG. 1;

FIG. 5 is a right side view of the bobbin holder as seen in FIG. 1;

FIG. 6 is a top view of the bobbin holder as seen in FIG. 1; and,

FIG. 7 a bottom view of the bobbin holder as seen in FIG. 1.

(56) **References Cited**

U.S. PATENT DOCUMENTS

D338,328 S * 8/1993 King B65H 49/38
D30/131

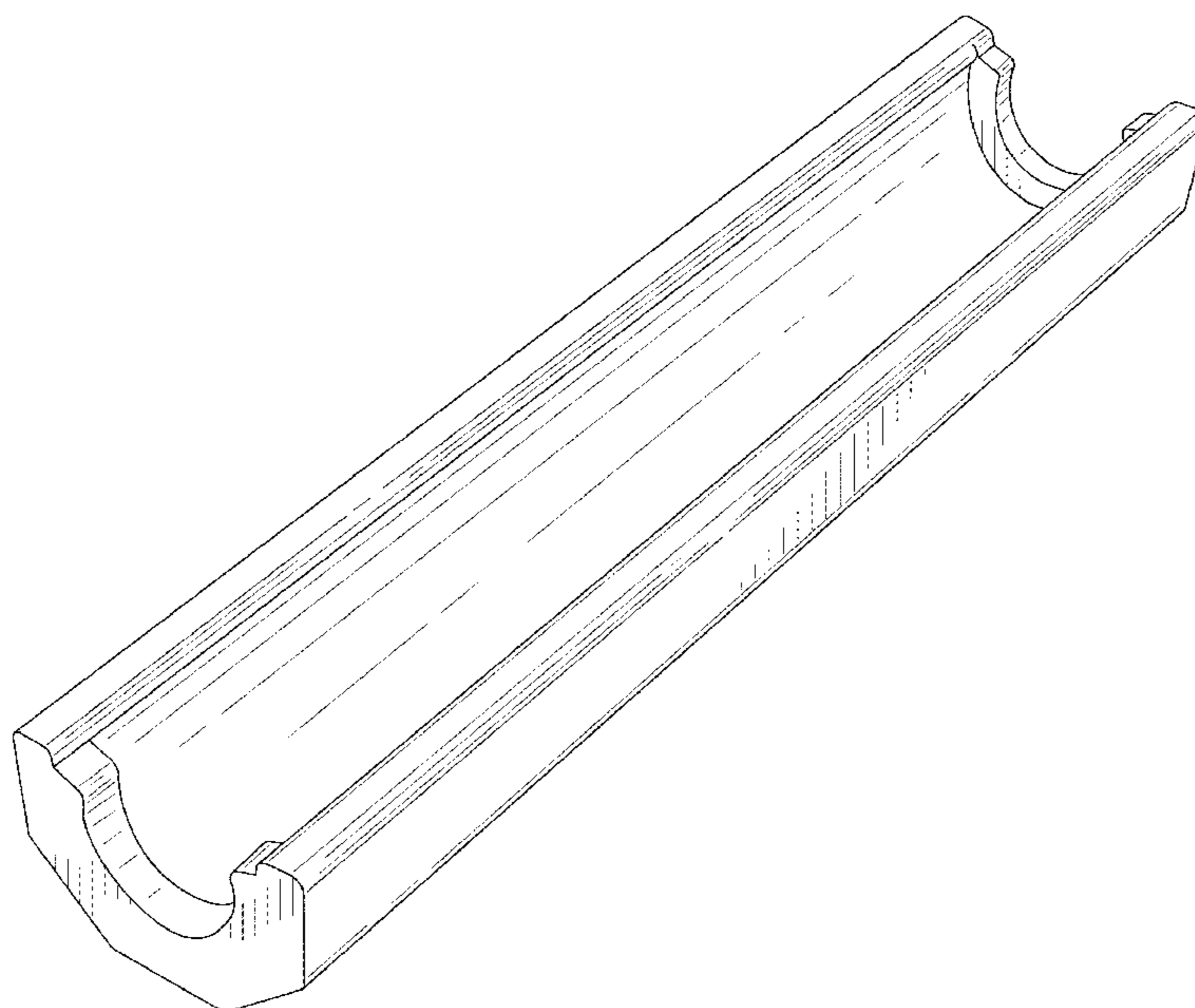
6,540,075 B2 * 4/2003 King B65H 49/38
206/391

D909,842 S * 2/2021 Kukucka D3/312

D927,953 S * 8/2021 Myerson D8/71

2003/0010662 A1 * 1/2003 King B65H 49/38
206/391

1 Claim, 4 Drawing Sheets



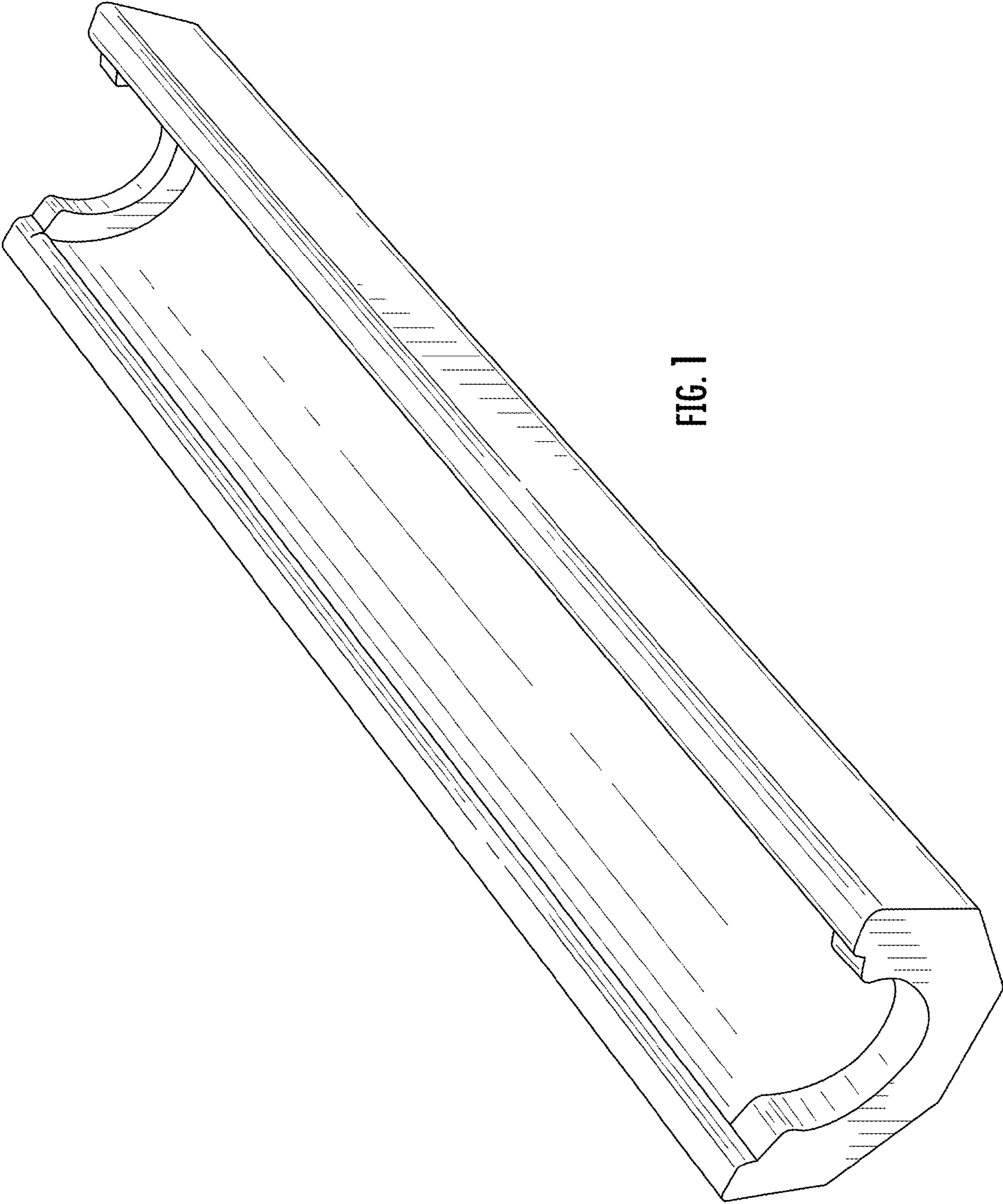


FIG. 1

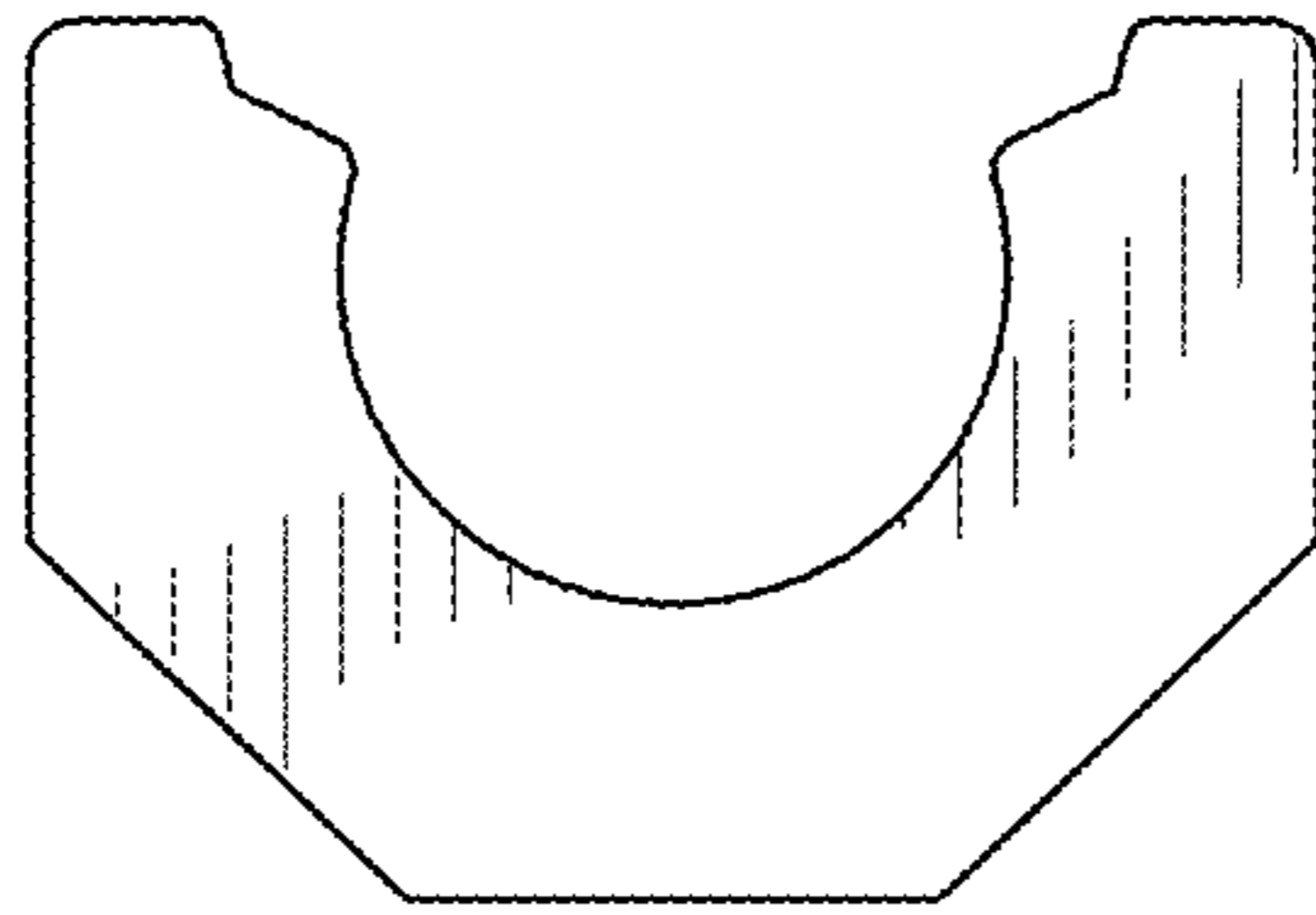


FIG. 2

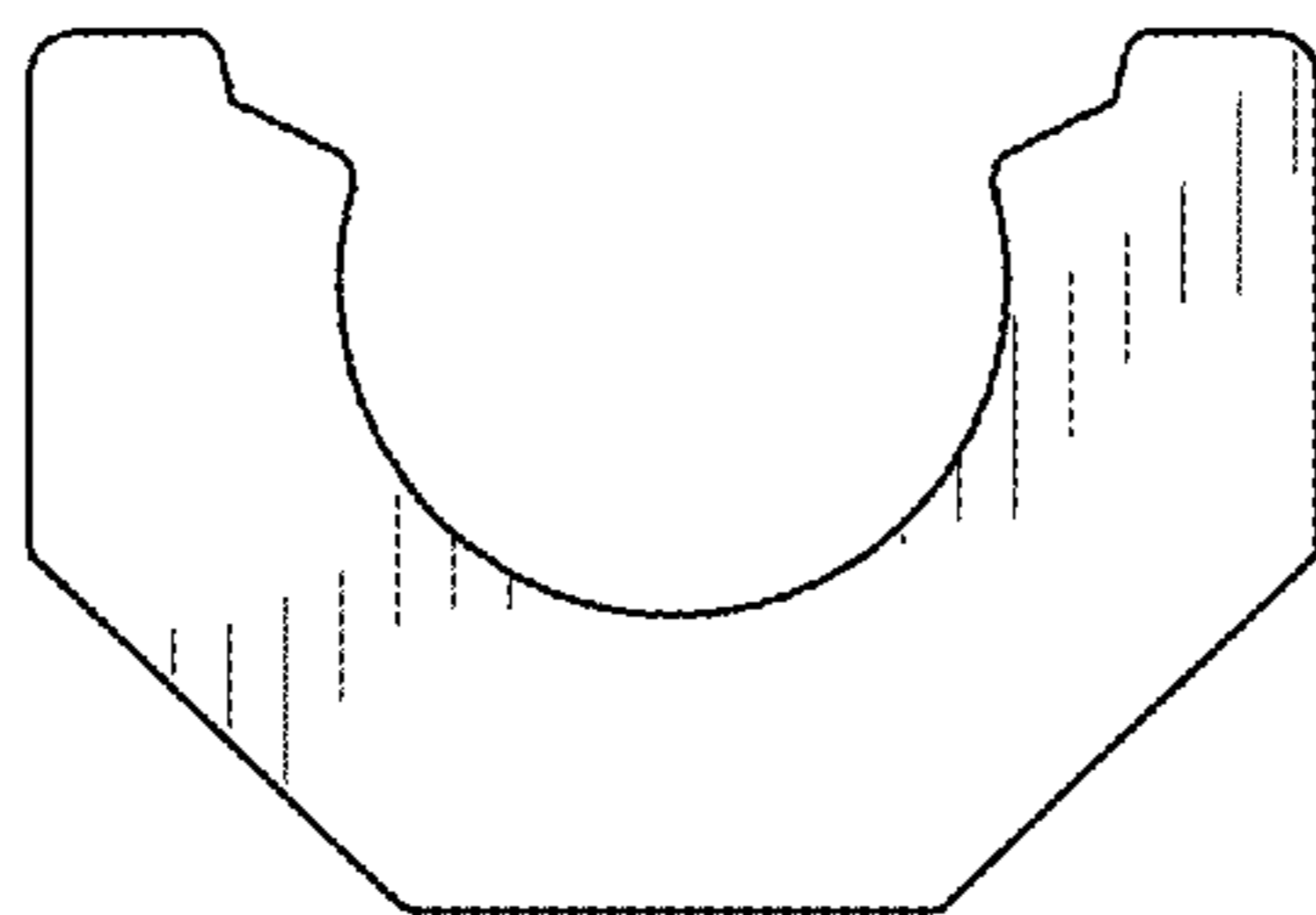


FIG. 3

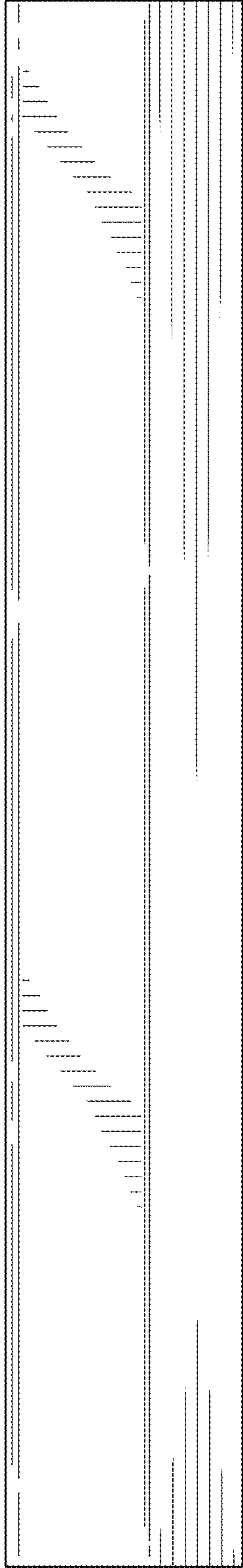


FIG. 4

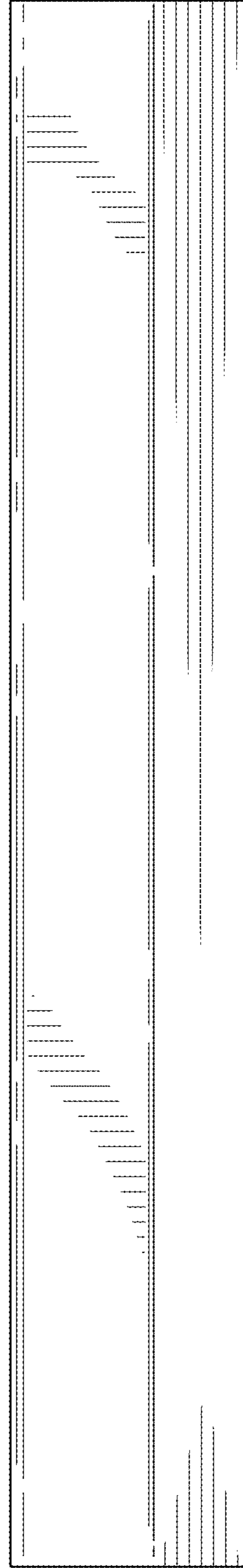


FIG. 5

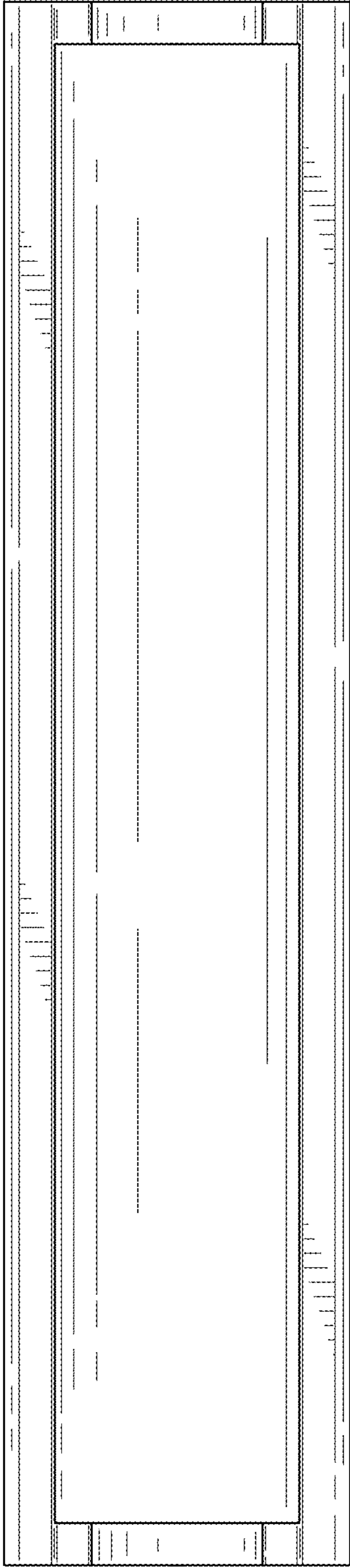


FIG. 6

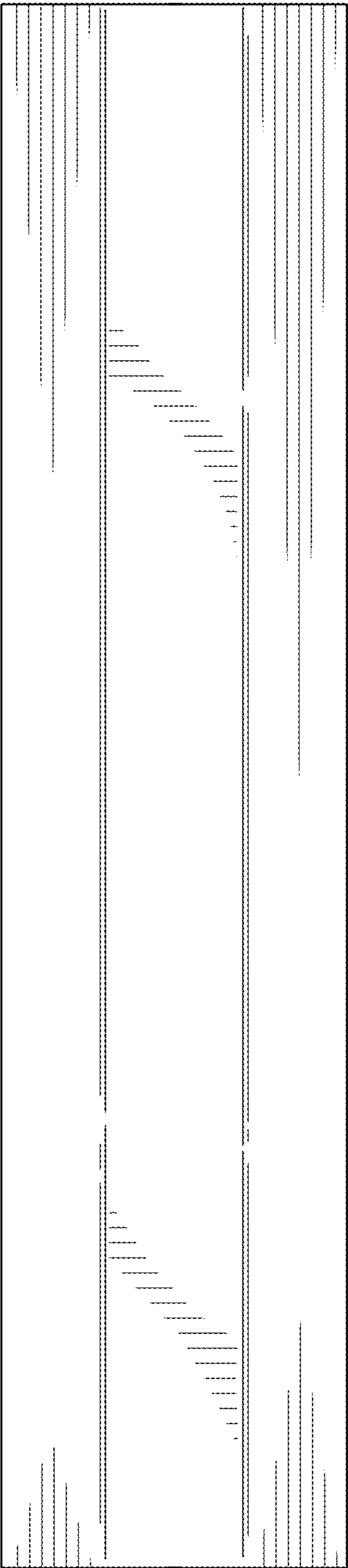


FIG. 7