



US00D986294S

(12) **United States Design Patent** (10) **Patent No.:** **US D986,294 S**
Rajopadhye et al. (45) **Date of Patent:** **** May 16, 2023**

(54) **HARVESTER VEHICLE, TOY AND/OR REPLICA THEREOF**

(71) Applicant: **Deere & Company**, Moline, IL (US)

(72) Inventors: **Dhananjay Rajopadhye**, Pune (IN); **Paul M. Richardel**, Polk City, IA (US); **Paul J. McCredie**, Bettendorf, IA (US); **Shantanu Acharya**, Pune (IN); **Vivek Vedpathak**, Pune (IN); **Omkar Thurumalla**, Mississauga (CA); **Felix Nagelin**, Malibu, CA (US); **Tobias Adami**, Munich (DE)

(73) Assignee: **DEERE & COMPANY**, Moline, IL (US)

(**) Term: **15 Years**

(21) Appl. No.: **29/724,244**

(22) Filed: **Feb. 13, 2020**

Related U.S. Application Data

(63) Continuation of application No. 29/712,598, filed on Nov. 8, 2019, now Pat. No. Des. 914,066.

(30) **Foreign Application Priority Data**

May 9, 2019 (EM) 006437083
May 9, 2019 (EM) 006437091

(51) **LOC (14) Cl.** **15-03**

(52) **U.S. Cl.**
USPC **D15/33; D15/26**

(58) **Field of Classification Search**
USPC D15/10-12, 22-26, 28
CPC A01B 73/00; A01D 75/00; A01D 41/06;
A01D 41/1208; A01D 41/00; A01D 67/00; A01D 45/00; A01D 45/02; A01D 45/021; A01D 43/081
See application file for complete search history.

(56) **References Cited**

U.S. PATENT DOCUMENTS

2,216,366 A 10/1940 Greene
4,502,270 A 3/1985 Shupert
(Continued)

FOREIGN PATENT DOCUMENTS

CN 302092321 S 9/2012
CN 302220180 S 12/2012
(Continued)

OTHER PUBLICATIONS

50 HP Blue Sonalika DI 47 Rx Tractor, retrieved from Internet <<https://www.indiamart.com/proddetail/sonalika-di-47-rx-tractor-19114279955.html>> Jun. 26, 2019, 5 pages.

(Continued)

Primary Examiner — Mark A Goodwin

(74) *Attorney, Agent, or Firm* — Klintworth & Rozenblat IP LLP

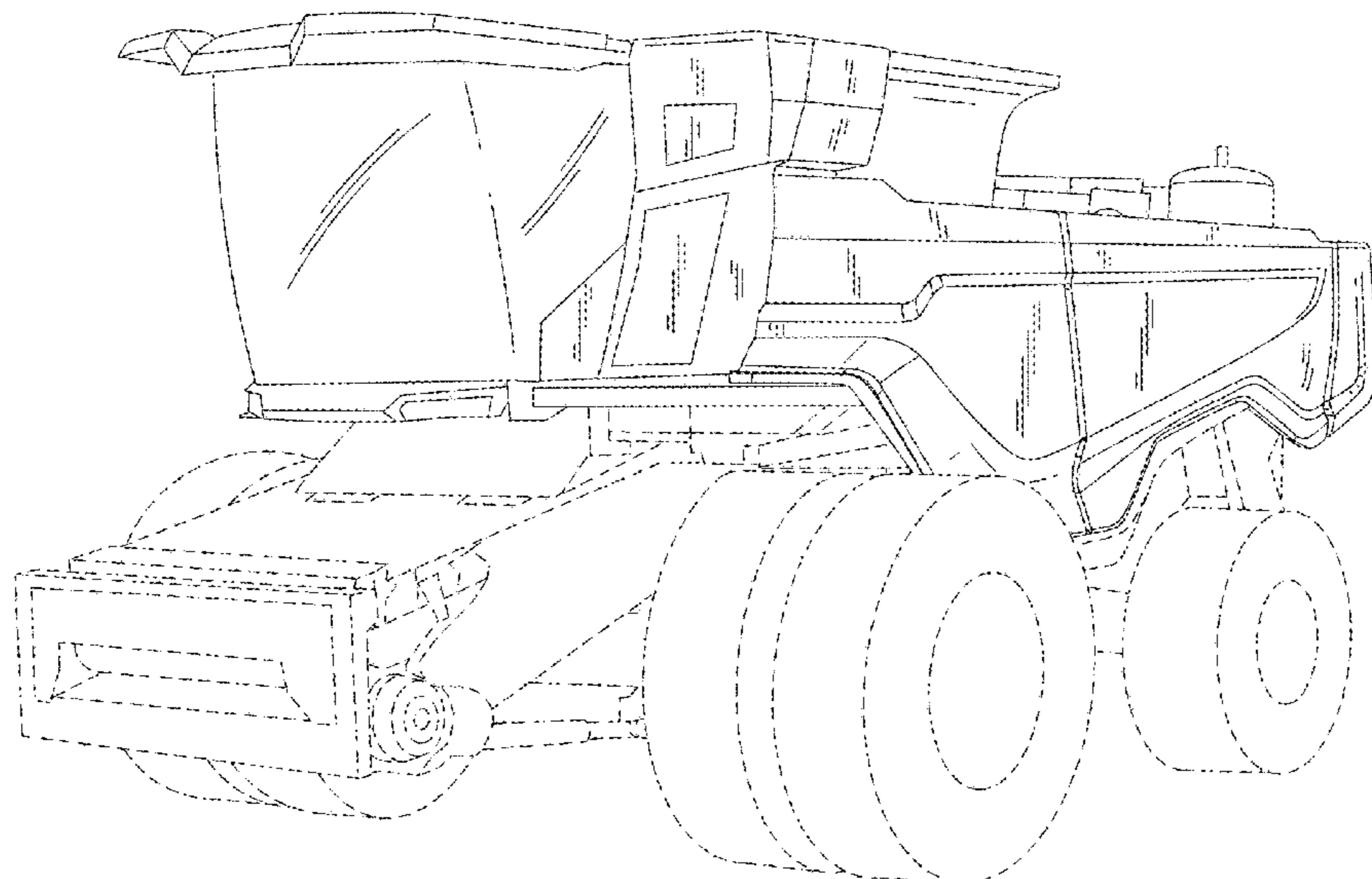
(57) **CLAIM**

The ornamental design for a harvester vehicle, toy and/or replica thereof, as shown and described.

DESCRIPTION

FIG. 1 is a perspective view of a harvester vehicle, toy and/or replica thereof according to our new design; FIG. 2 is a first end elevational view thereof; FIG. 3 is a second end elevational view thereof; FIG. 4 is a first side elevational view thereof; FIG. 5 is a second side elevational view thereof; FIG. 6 is a top plan view thereof; and, FIG. 7 is a bottom plan view thereof. The dashed lines depict environment subject matter that forms no part of the claimed design.

1 Claim, 7 Drawing Sheets



(56)

References Cited

U.S. PATENT DOCUMENTS

D283,135 S	3/1986	Funabashi et al.	D594,908 S	6/2009	Sauter
D288,206 S	2/1987	Moscovitch	D595,778 S	7/2009	Sauter
D294,223 S	2/1988	Gollon et al.	D595,779 S	7/2009	Sauter
D297,142 S	8/1988	Funabashi et al.	D596,205 S	7/2009	Kawashiri et al.
D304,589 S	11/1989	Lanphere et al.	D596,671 S	7/2009	Sauter
D311,543 S	10/1990	Hardzinski et al.	D597,007 S	7/2009	Ferman
D327,276 S	6/1992	Sorensen	D598,831 S	8/2009	Honsel et al.
D348,678 S	7/1994	Budde	D600,183 S	9/2009	Habib
D353,704 S	12/1994	Bhambra	D600,185 S	9/2009	Habib
D398,616 S	9/1998	Kwak et al.	D600,376 S	9/2009	Sugiura
D416,266 S	11/1999	Del Torchio	D601,730 S	10/2009	Richards et al.
D419,164 S	1/2000	Heiler et al.	D602,047 S	10/2009	Kushita et al.
D424,580 S	5/2000	Moehle et al.	D602,507 S	10/2009	Kushita
6,058,637 A	5/2000	Duncan	D602,616 S	10/2009	Okamura et al.
D430,579 S	9/2000	Westendorf et al.	D602,991 S	10/2009	Sauter
D443,852 S	6/2001	Huang	D603,881 S	11/2009	Tamplain, III et al.
D447,153 S	8/2001	Hornung	D605,207 S	12/2009	Menges et al.
D447,754 S	9/2001	Smith	D605,668 S	12/2009	Matsumoto et al.
D448,037 S	9/2001	Westimayer et al.	D607,391 S	1/2010	Krauss
D451,106 S	11/2001	Crookes et al.	D609,750 S	2/2010	Sauter
D451,870 S	12/2001	Hurayt	D611,963 S	3/2010	Kuwae et al.
D458,944 S	6/2002	Crookes et al.	D613,220 S	4/2010	Ikeda et al.
D470,811 S	2/2003	Carroll	D613,224 S	4/2010	Beigel et al.
D471,142 S	3/2003	Carroll	D613,313 S	4/2010	Bhanuprakash
D471,143 S	3/2003	Carroll	D614,105 S	4/2010	Elliott et al.
D476,100 S	6/2003	Lin	D614,205 S	4/2010	Kuwae et al.
6,595,550 B1	7/2003	Meazzi	D620,157 S	7/2010	Frenzel et al.
D483,383 S	12/2003	Crookes et al.	D620,503 S	7/2010	Krogh et al.
D484,080 S	12/2003	Yamamoto et al.	D621,757 S	8/2010	Denet
D492,922 S	7/2004	Numata	D623,104 S	9/2010	Akasawa et al.
D495,344 S	8/2004	Farlow et al.	D625,741 S	10/2010	Seidel et al.
D495,345 S	8/2004	Farlow et al.	D628,599 S	12/2010	Major
D496,314 S	9/2004	Perfetti et al.	D629,017 S	12/2010	Major
D499,680 S	12/2004	Lucas	D629,818 S	12/2010	Rummer et al.
D512,079 S	11/2005	Farlow et al.	D631,489 S	1/2011	Booth et al.
D512,445 S	12/2005	Farlow et al.	D632,312 S	2/2011	Booth et al.
D517,121 S	3/2006	Li	D632,704 S	2/2011	Seidel et al.
D520,527 S	5/2006	Crookes et al.	D636,000 S	4/2011	Kim
D521,532 S	5/2006	Higashikawa	D637,127 S	5/2011	Faghihzadeh
D522,425 S	6/2006	Beigel et al.	D639,826 S	* 6/2011	Barrelmeyer D15/26
D528,134 S	9/2006	Vandendriessche et al.	D641,027 S	7/2011	Kawashiri et al.
D531,646 S	11/2006	McCarren, Jr. et al.	D642,597 S	8/2011	Krogh et al.
D531,647 S	11/2006	Stender et al.	D643,444 S	8/2011	Colvin et al.
D533,569 S	12/2006	Mursch	D646,305 S	10/2011	Krogh et al.
D533,882 S	12/2006	Higashikawa	D646,333 S	10/2011	Davis
D541,825 S	5/2007	Pettersson	D649,584 S	11/2011	Kovaliv
D541,826 S	5/2007	Brush et al.	D650,816 S	12/2011	Koponen et al.
D546,254 S	7/2007	Teng	D655,317 S	3/2012	Hagele et al.
D546,255 S	7/2007	Teng	D655,318 S	3/2012	Hagele et al.
D553,159 S	10/2007	Higashikawa et al.	D659,060 S	5/2012	Inoue et al.
D553,161 S	10/2007	Matsumoto	D659,722 S	5/2012	Blind et al.
D553,268 S	10/2007	Pfeiffer	D660,753 S	5/2012	Faghihzadeh
D554,669 S	11/2007	Crookes et al.	D660,755 S	5/2012	Inoue et al.
D556,789 S	12/2007	Kitayama et al.	D660,874 S	5/2012	Werner et al.
D557,714 S	12/2007	Higashikawa	D660,879 S	5/2012	Laugurette
D558,797 S	1/2008	Yamamoto et al.	D660,881 S	5/2012	Bohme et al.
D558,799 S	1/2008	Higashikawa	D661,323 S	6/2012	Krogh et al.
D560,693 S	1/2008	Moen et al.	D662,524 S	6/2012	Crookes et al.
D561,205 S	2/2008	Pettersson	D663,229 S	7/2012	Waltersdorf
D565,211 S	3/2008	Haller et al.	D663,752 S	7/2012	Hickman et al.
D567,257 S	4/2008	Wilkens	D663,753 S	7/2012	Hickman et al.
D568,342 S	* 5/2008	Kleingraeber D15/26	D665,428 S	8/2012	Hickman et al.
D568,905 S	5/2008	Heusinger et al.	D665,429 S	8/2012	Hickman et al.
D570,015 S	5/2008	Hsu	D667,851 S	9/2012	Warr
D570,378 S	6/2008	Heusinger et al.	D668,693 S	10/2012	Ringer
D570,382 S	6/2008	Higashikawa	D668,695 S	10/2012	Ringer
D571,378 S	6/2008	Bernard et al.	D670,744 S	11/2012	Ewringmann
D574,022 S	7/2008	Higashikawa	D670,745 S	11/2012	Warr
D579,028 S	10/2008	VanDeVeer et al.	D671,566 S	11/2012	Fang et al.
D581,467 S	11/2008	Winningham et al.	D673,489 S	1/2013	Hanson et al.
D581,955 S	12/2008	Matsumoto et al.	D674,410 S	1/2013	Blind et al.
D591,437 S	4/2009	Saridakis et al.	D674,820 S	1/2013	Budde
D591,777 S	5/2009	Kokitkar et al.	D674,821 S	1/2013	Budde
D593,233 S	5/2009	Bai et al.	D674,938 S	1/2013	Lai
D594,797 S	6/2009	Lee	D675,233 S	1/2013	Kushita et al.
			D676,463 S	2/2013	Ewringmann et al.
			D676,466 S	2/2013	Ewringmann et al.
			D676,786 S	2/2013	Werner et al.
			D682,323 S	5/2013	Ryan et al.

(56)

References Cited

U.S. PATENT DOCUMENTS

D682,324 S 5/2013 Ryan et al.
 D687,868 S 8/2013 Watson et al.
 D688,176 S 8/2013 Campbell et al.
 D690,635 S 10/2013 Hovind et al.
 D697,536 S 1/2014 Nuebel
 D699,765 S 2/2014 Tentinger et al.
 D699,766 S 2/2014 Ryan et al.
 D702,608 S 4/2014 Hall et al.
 D702,610 S 4/2014 Hall et al.
 D703,699 S 4/2014 Shimomura et al.
 D704,749 S 5/2014 Shimomura et al.
 D704,750 S 5/2014 Shimomura et al.
 D706,841 S 6/2014 Shimomura et al.
 D707,729 S 6/2014 Jackson et al.
 D707,730 S 6/2014 Jackson et al.
 D709,419 S 7/2014 Watkins
 D710,264 S 8/2014 Watkins et al.
 D711,302 S 8/2014 van Braeckel
 D711,930 S 8/2014 Kuwae et al.
 D713,075 S 9/2014 Lee
 D714,838 S 10/2014 Shimomura et al.
 D715,332 S 10/2014 Kuwae
 D716,348 S 10/2014 Ryan et al.
 D716,846 S 11/2014 Carter et al.
 D717,838 S 11/2014 Kuwae et al.
 D720,370 S 12/2014 Carter et al.
 D720,371 S 12/2014 Furukawa et al.
 D720,871 S 1/2015 Lim et al.
 D721,105 S 1/2015 Okuyama et al.
 D721,742 S 1/2015 Lee et al.
 D721,994 S 2/2015 Graber et al.
 D722,187 S 2/2015 Gerardo
 D727,371 S 4/2015 Rhayakar et al.
 D728,631 S 5/2015 Richard et al.
 D728,640 S 5/2015 Turner et al.
 D729,281 S 5/2015 Carter et al.
 D729,282 S 5/2015 Sasaki
 D733,767 S 7/2015 Kushita et al.
 D733,945 S 7/2015 Kennemer et al.
 D734,781 S 7/2015 Schnering et al.
 D736,270 S 8/2015 Jackson et al.
 D740,976 S 10/2015 Ko et al.
 D743,065 S 11/2015 Weil
 D745,717 S 12/2015 Wu
 D748,677 S 2/2016 Kushita et al.
 D749,148 S 2/2016 Darekar et al.
 D749,149 S 2/2016 McAdam et al.
 D751,611 S 3/2016 Smith et al.
 D753,194 S 4/2016 Jackson et al.
 D753,195 S 4/2016 Jackson et al.
 D754,210 S 4/2016 Margutti et al.
 D755,256 S 5/2016 Okuyama et al.
 D756,003 S 5/2016 Kong et al.
 D756,421 S 5/2016 Okuyama et al.
 D757,826 S 5/2016 Hartz et al.
 D759,129 S 6/2016 Kushita et al.
 D760,410 S 6/2016 Arroba
 D760,815 S 7/2016 Okuyama et al.
 D763,756 S 8/2016 Enz
 D765,740 S 9/2016 Jackson et al.
 D766,340 S 9/2016 Jackson et al.
 D766,341 S 9/2016 Jacobsthal et al.
 D768,210 S 10/2016 Jacobsthal et al.
 D772,309 S 11/2016 Underhill et al.
 D774,111 S 12/2016 Underhill et al.
 D775,033 S 12/2016 Wang
 D775,244 S 12/2016 Hart et al.
 D777,215 S 1/2017 Moritaka et al.
 D777,219 S 1/2017 Hanke et al.
 D777,220 S 1/2017 Powell
 D777,805 S 1/2017 Steinhardt et al.
 D777,957 S 1/2017 Ha et al.
 D778,963 S 2/2017 Yang et al.
 D780,231 S 2/2017 Saari et al.
 D780,232 S 2/2017 Saari et al.

D780,233 S 2/2017 Saari et al.
 D780,235 S 2/2017 Kim
 D783,059 S 4/2017 Okuyama et al.
 D783,476 S 4/2017 Huang
 D784,425 S 4/2017 Cooksey et al.
 D784,887 S 4/2017 Woolley
 D785,050 S 4/2017 Okuyama et al.
 D785,051 S 4/2017 Okuyama et al.
 D785,053 S 4/2017 Okuyama et al.
 D785,681 S 5/2017 Okuyama et al.
 D786,945 S 5/2017 Smith et al.
 D787,721 S 5/2017 Lai
 D789,427 S 6/2017 Jackson et al.
 D791,659 S 7/2017 Ito et al.
 D792,300 S 7/2017 Ferman
 D792,483 S 7/2017 Jackson et al.
 D794,521 S 8/2017 Tseng
 D797,332 S 9/2017 Lin
 D797,813 S * 9/2017 Budde D15/26
 D799,728 S 10/2017 Whitla et al.
 D800,038 S 10/2017 Ferman
 D802,871 S 11/2017 Knie
 D803,435 S 11/2017 Cotner et al.
 D804,539 S 12/2017 Okuyama et al.
 D808,315 S 1/2018 Danze
 D809,682 S 2/2018 Lin
 D815,001 S 4/2018 Banceu et al.
 D815,577 S 4/2018 Chiang
 D822,241 S 7/2018 Lee et al.
 D824,058 S 7/2018 Hong et al.
 D824,305 S 7/2018 Henry et al.
 D826,994 S * 8/2018 De Smet D15/26
 D828,245 S 9/2018 Scott
 D837,837 S 1/2019 Park
 D843,421 S 3/2019 Gonzales et al.
 D843,621 S 3/2019 Yang
 D851,794 S 6/2019 Lin
 D854,056 S 7/2019 Futagami et al.
 D863,160 S 10/2019 Gifford et al.
 D865,600 S 11/2019 Goodrich et al.
 D866,824 S 11/2019 Lin
 D867,249 S 11/2019 Chen
 D871,462 S 12/2019 Svitek et al.
 D874,033 S 1/2020 Park Cheng et al.
 D874,524 S 2/2020 Iwata et al.
 D877,209 S 3/2020 Winkel et al.
 D883,535 S 5/2020 He
 D887,041 S 6/2020 Lin
 D888,108 S * 6/2020 Loggan D15/33
 D890,382 S 7/2020 Wu
 D892,369 S 8/2020 Lin
 D893,066 S 8/2020 Lin
 D895,688 S * 9/2020 Wagner D15/26
 D895,730 S 9/2020 Nagelin et al.
 D898,782 S * 10/2020 Wagner D15/26
 D902,815 S 11/2020 Wheel
 D908,740 S * 1/2021 Damani D15/26
 D920,391 S * 5/2021 Rajopadhye D15/33
 D920,392 S * 5/2021 Rajopadhye D15/33
 D920,393 S * 5/2021 Rajopadhye D15/33
 2004/0123504 A1 7/2004 Williams
 2014/0217718 A1 8/2014 ODonnell et al.
 2015/0307033 A1 10/2015 Preisler et al.
 2017/0086374 A1 3/2017 Engel
 2018/0117954 A1 5/2018 Brown

FOREIGN PATENT DOCUMENTS

CN 304913471 S 11/2018
 CN 305100471 S 5/2019
 KR 300611812 S 9/2011
 KR 300789169 S 3/2015

OTHER PUBLICATIONS

Case Farmall A Series Tractors Brochure, 2011, 7 pages.
 Case Farmall C Tractors Brochure, 2013, 16 pages.
 Case Farmall U Tractors Brochure Nov. 13, 2013, 12 pages.

(56)

References Cited

OTHER PUBLICATIONS

- Case Maxxum Series Tractors Brochure, 2012, 24 pages.
- Case Steiger Tractor Brochure, 2014, 32 pages.
- Challenger MT 465 B Tractor Decals, retrieved from Internet <<https://equipment-decals.myshopify.com/products/challenger-mt-465-b-tractor-decals>> Jun. 26, 2019, 5 pages.
- Deutz 5 series brochure, publicly available before May 2015, 24 pages.
- Deutz 308 8514 34-1 Series 7 Agrotan, publicly available before May 2015, 28 pages.
- Deutz-Fahr, Deutz Agroclimber F-V—Tractors Crawlers, retrieved from internet <<http://www.deutz-fahr.com/en-US/products/tractors/722-agroclimber-f-v>> May 19, 2015, 5 pages.
- Deutz Agrofarm-g brochure, publicly available before May 2015, 11 pages.
- Deutz-Fahr, Deutz Agrolux 65-75—Tractors Open field, retrieved from internet <<http://www.deutz-fahr.com/en-US/products/tractors/835-agrolux-65-75>> May 19, 2015, 4 pages.
- Deutz-Fahr, Deutz Agrolux 310-320-410—Tractors Open field, retrieved from internet <<http://www.deutz-fahr.com/en-US/products/tractors/864-agrolux-310-320-410>> May 19, 2015, 4 pages.
- Agco, Fendt 200Vario, publicly available before May 2015, 17 pages.
- John Deere Pedal Tractor Decals Tractors, retrieved from internet <<http://todayview.co/ideas/>> Jun. 26, 2019, 3 pages.
- Mahindra JIVO 245, retrieved from internet <<https://tractorsinfo.com/mahindra-jivo-245-di-4wd-mini-tractor-price-list/>> Jun. 26, 2019, 9 pages.
- Mahindra Tractor JIVO 245 DI, retrieved from internet <<https://www.tractorjunction.com/product/370/mahindra-tractor-ivo-245-di>> Jun. 26, 2019, 5 pages.
- Solis 75N Traktor Schlepper Kein New Holland, retrieved from internet <<https://www.mascus.com/agriculture/used-tractors/solis-75n-tractor-schlepper-kein-new-h>> Jun. 26, 2019, 3 pages.
- Tractor Decals, retrieved from internet <<https://www.indlamart.com/proddetail/tractor-decals-10179545988.html>>, Jun. 29, 2019, 4 pages.
- Mahindra targets 50% share in domestic tractor market with Trakstar brand, retrieved from internet <<https://www.moneycontrol.com/news/technology/auto/mahindra-targets-50-share-in-domestic-tractor-market-with-trakstar-brand-2645381.html>> Jun. 27, 2019, 6 pages.
- Hagner et al., Operator Station for Work Vehicle, unpublished U.S. design U.S. Appl. No. 29/647,298, filed May 11, 2018, 101 pages.
- Big 4, available at least as early as May 2015, 1 page.
- Cub Cadet, available at least as early as May 2015, 1 page.
- Massey Ferguson, available at least as early as May 2015, 1 page.
- International Harvester, available at least as early as May 2015, 1 page.
- Deutz-Fahr (7250 TTV Warrior), available at least as early as May 2015, 4 pages.
- Deere & Company, Deere 3R-8RT Series, 2015, 6 pages.
- Agco, Fendt 900 Series, 2012, 28 pages.
- Case Magnum 180-380 Brochure, 2014, 28 pages.
- Agco, Fendt 300Vario, available at least as early as May 2015, 23 pages.
- Agco, Fendt 500Vario, available at least as early as May 2015, 25 pages.
- Agco, Fendt 700 series brochure, 2012, 32 pages.
- Agco, Fendt 800 Vario, 2014, 4 pages.
- Agco, Fendt X Concept Tractors, retrieved from <<http://www.fendt.com/us/2466.asp>> May 18, 2015, 3 pages.
- Case Puma Series Brochure, 2011, 28 pages.
- Deutz-Fahr 6 Series, available at least as early as May 2015, 32 pages.
- Deere Flared Fenders, available at least as early as May 2015, 1 page.
- Deere Reverse Decal, available at least as early as May 2015, 1 page.
- Agritechnica 2017—Gold and Silver, <https://www.agritechnica.com/en/innovation-award/gold-and-silver/>, accessed Feb. 5, 2017, 18 pages.
- Deere & Company, Grain Harvesting Combines and Front End Equipment, Brochure, Oct. 2018.
- Claas of America, Improves Profitability with Increasing Revenue, Google Search, <https://www.serbia.claas.com/news-testimonials/current/claas-news/claas-improves-profitability-with-increasing-revenue-/1904264>, 2019.
- Claas of America, photograph of header, 2017.
- New Holland, Overview—Corn Heads Leading From The Front, Combines & Headers, <https://agriculture.newholland.com/nar/en-us/equipment/products/combines-and-headers/com-heads>, 2019.
- Macdon Industries LTD, D65 Draper Header, Draper Headers for Combine, <https://www.macdon.com/en/products/d65-draper-headers-for-combine/>, 2019.
- New Holland, Draper Heads—Overview Combines & Headers New Holland (US) NHAG, <https://agriculture.newholland.com/nar/en-us/equipment/products/combines-and-headers/draper-heads>, 2019.
- Case IH, Draper Heads Combine Harvester, Case IH 3100 Series II Draper Heads, <https://www.caseih.com/northamerica/en-us/products/harvesting/draper-heads>. Copyright 2020.
- Massey Ferguson, 9250 DynaFlex Draper Header, <http://www.masseyferguson.us/products/combine-harvesting/9250-dynaflex-draper-headers.html#0>. Copyright 2020.

* cited by examiner

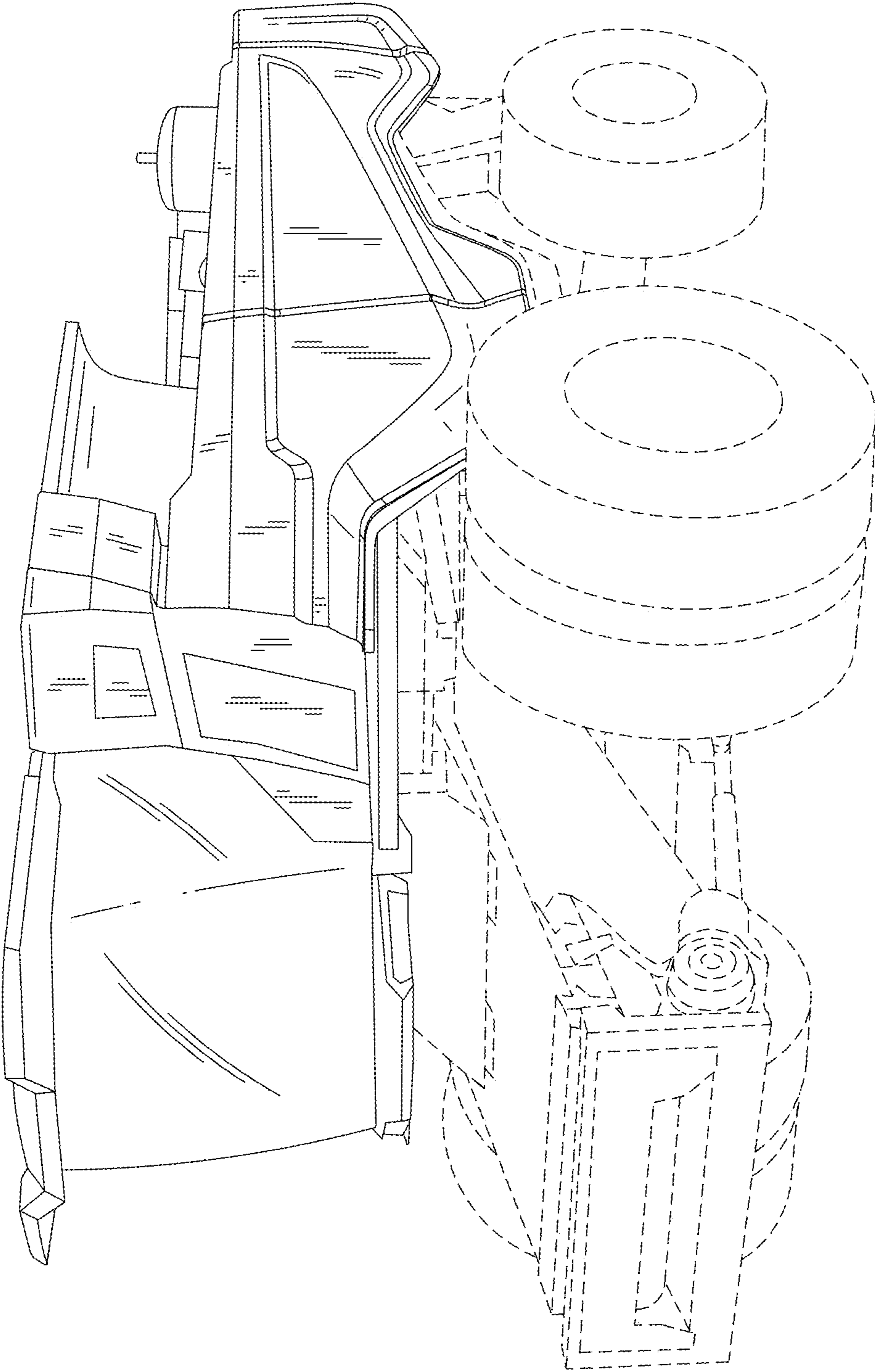


FIG. 1

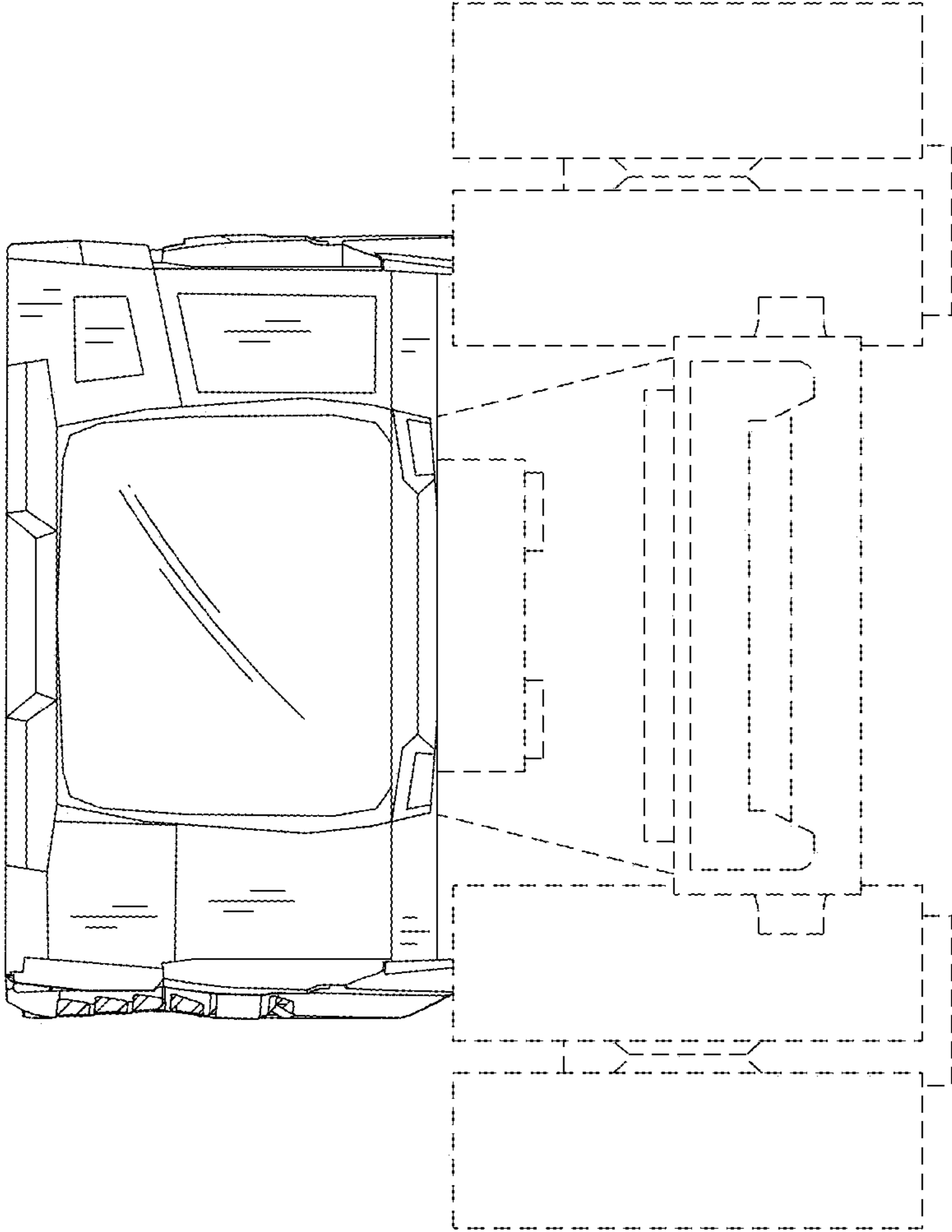


FIG. 2

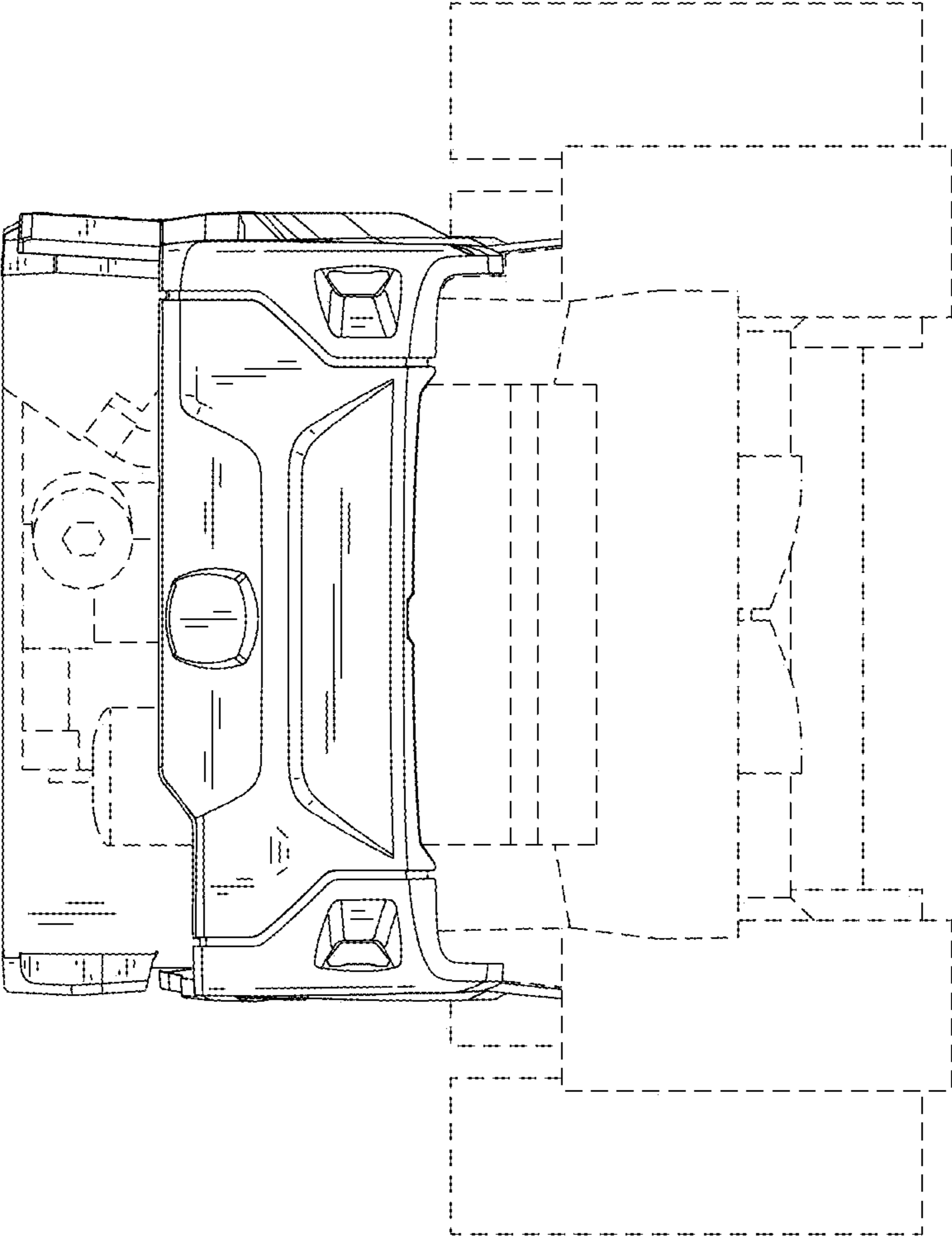


FIG. 3

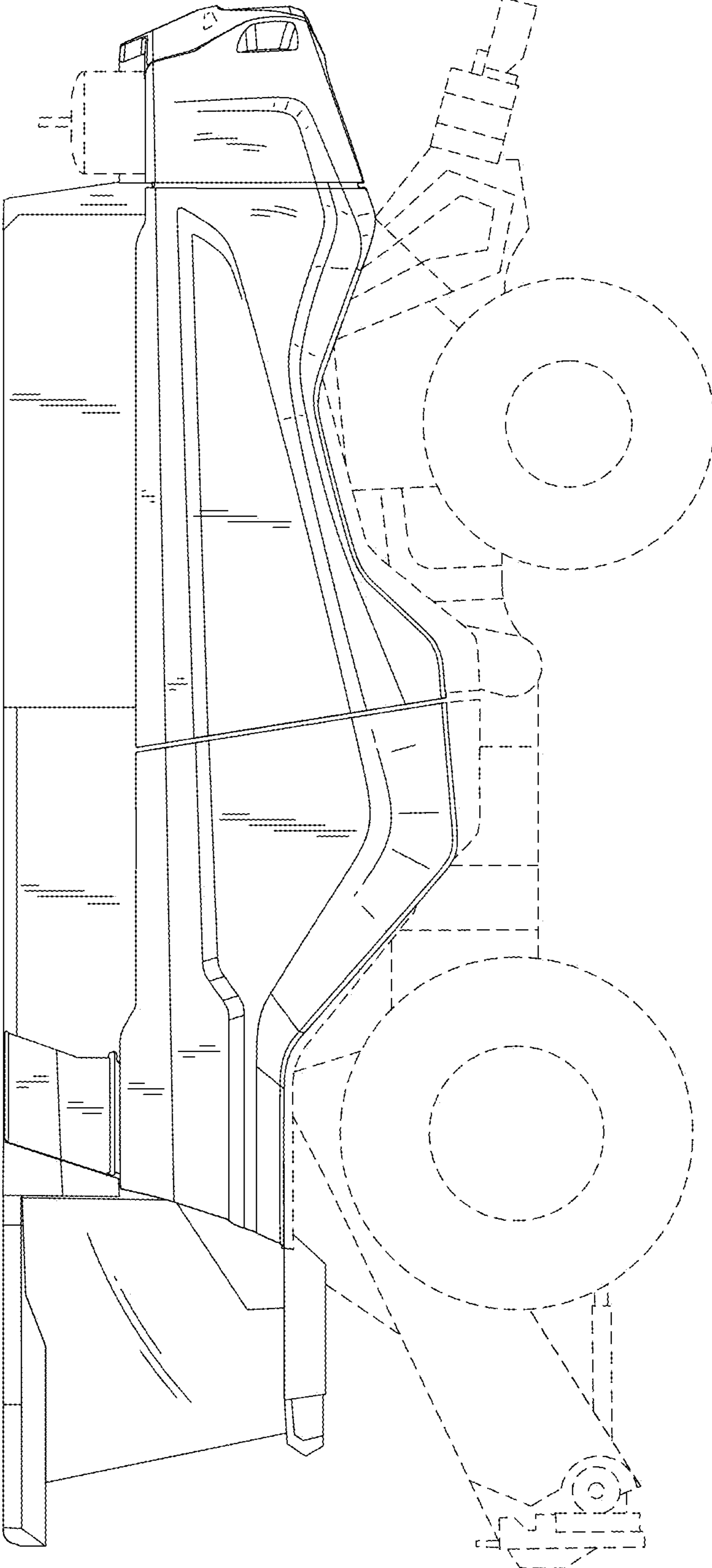


FIG. 4

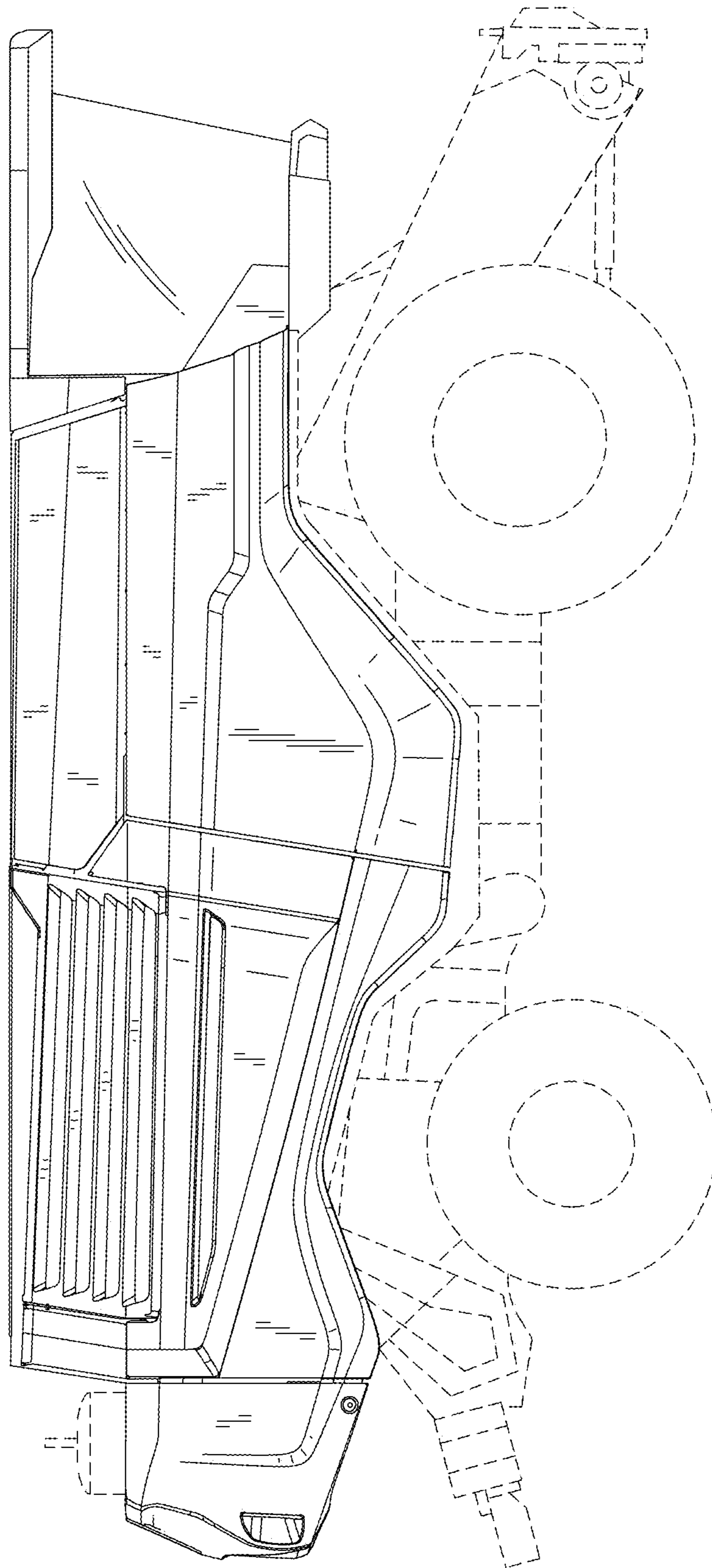


FIG. 5

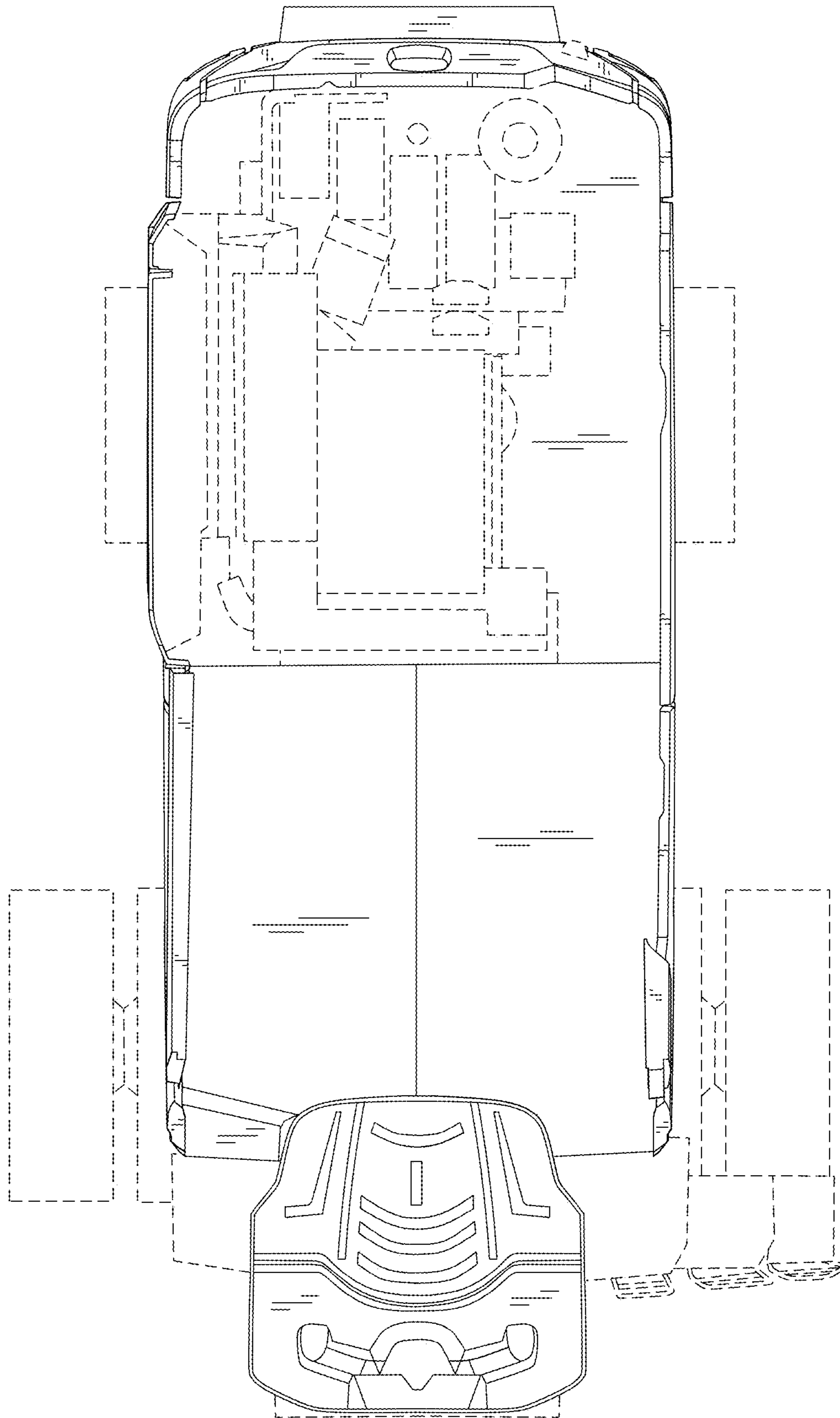


FIG. 6

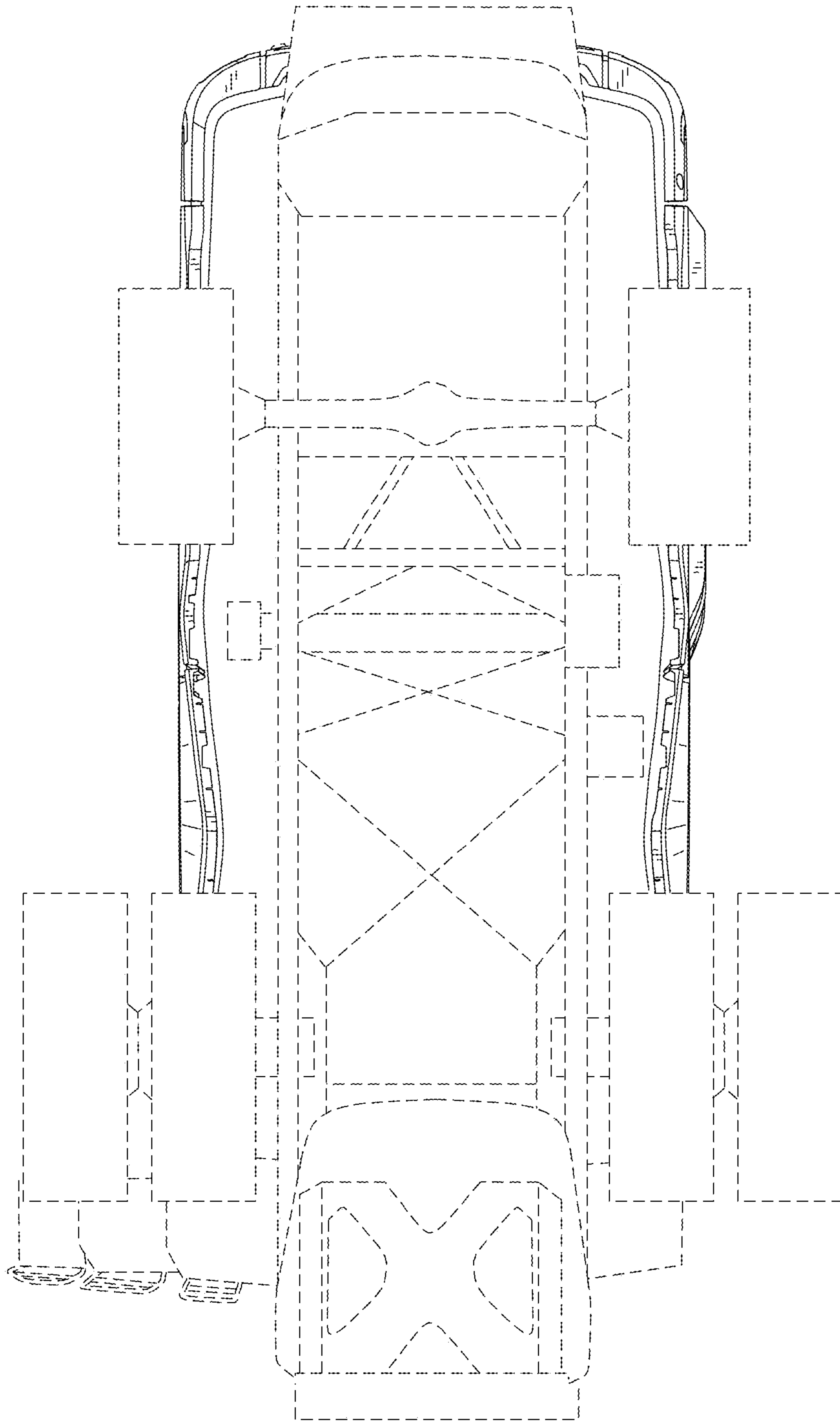


FIG. 7