



US00D986293S

(12) **United States Design Patent** (10) **Patent No.:** **US D986,293 S**
Winter (45) **Date of Patent:** **** May 16, 2023**

(54) **PLOW GUARD**
(71) Applicant: **Winter Equipment Company,**
Willoughby, OH (US)
(72) Inventor: **Kent Winter,** Willoughby, OH (US)
(**) Term: **15 Years**
(21) Appl. No.: **29/848,043**
(22) Filed: **Jul. 29, 2022**

D824,962 S * 8/2018 Winter D15/11
D839,315 S * 1/2019 Winter D15/28
D839,925 S * 2/2019 Winter D15/28
D839,926 S * 2/2019 Winter D15/28
D839,927 S * 2/2019 Winter D15/28
D839,928 S * 2/2019 Winter D15/28
D879,156 S * 3/2020 Winter D15/28
D889,515 S * 7/2020 Winter D15/28
2015/0047234 A1 * 2/2015 Winter B23K 1/0008
228/121
2016/0069047 A1 * 3/2016 Winter B23K 35/24
37/444
2017/0191236 A1 * 7/2017 Winter E02F 9/26
2018/0058026 A1 * 3/2018 Williams E01H 5/066
2022/0341111 A1 * 10/2022 Winter E01H 5/066

Related U.S. Application Data

(63) Continuation-in-part of application No. 17/236,809,
filed on Apr. 21, 2021.
(51) **LOC (14) Cl.** **15-03**
(52) **U.S. Cl.**
USPC **D15/11; D15/28**
(58) **Field of Classification Search**
USPC D15/11, 21, 28, 32
CPC ... E01H 5/06-062; E01H 5/066; E01H 5/065;
E01H 5/12; E01H 5/04; E02F 3/76-848;
E02F 3/08; E02F 3/8157; E02F 3/8152;
B62B 15/00
See application file for complete search history.

* cited by examiner

Primary Examiner — Mark A Goodwin
(74) *Attorney, Agent, or Firm* — Brennan Manna &
Diamond, LLC

(57) **CLAIM**

I claim the ornamental design for a plow guard, as shown
and described.

DESCRIPTION

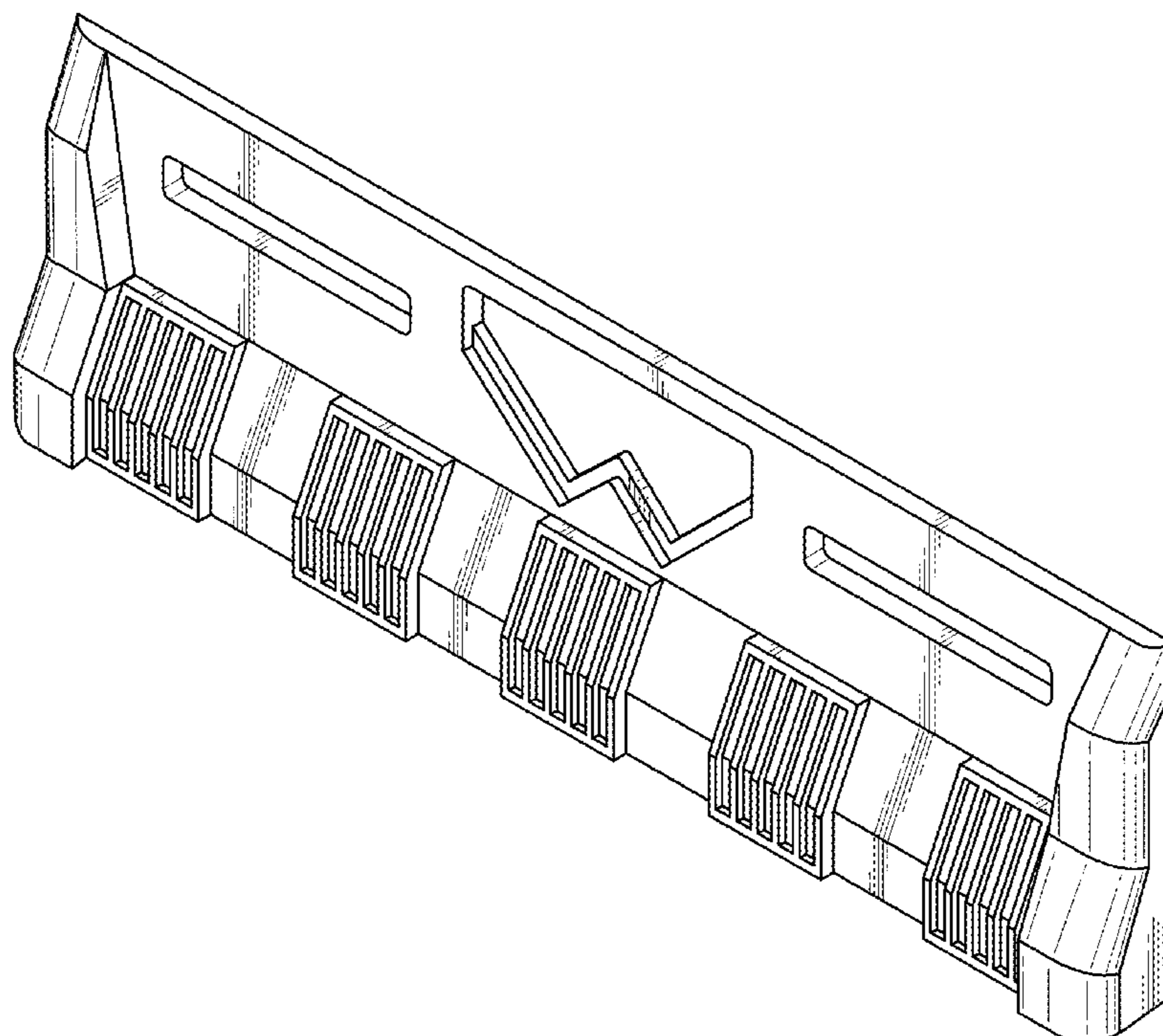
FIG. 1 is a front perspective view of a plow guard;
FIG. 2 is a rear perspective view thereof;
FIG. 3 is a front elevation view thereof;
FIG. 4 is a left elevation view thereof;
FIG. 5 is a right elevation view thereof;
FIG. 6 is a top plan view thereof;
FIG. 7 is a bottom plan view thereof; and,
FIG. 8 is a rear elevation view thereof.

1 Claim, 4 Drawing Sheets

(56) **References Cited**

U.S. PATENT DOCUMENTS

4,899,472 A * 2/1990 Winter E01H 5/066
37/270
6,240,662 B1 * 6/2001 Borowiak E01H 5/061
37/270
7,874,085 B1 * 1/2011 Winter E01H 5/061
37/270



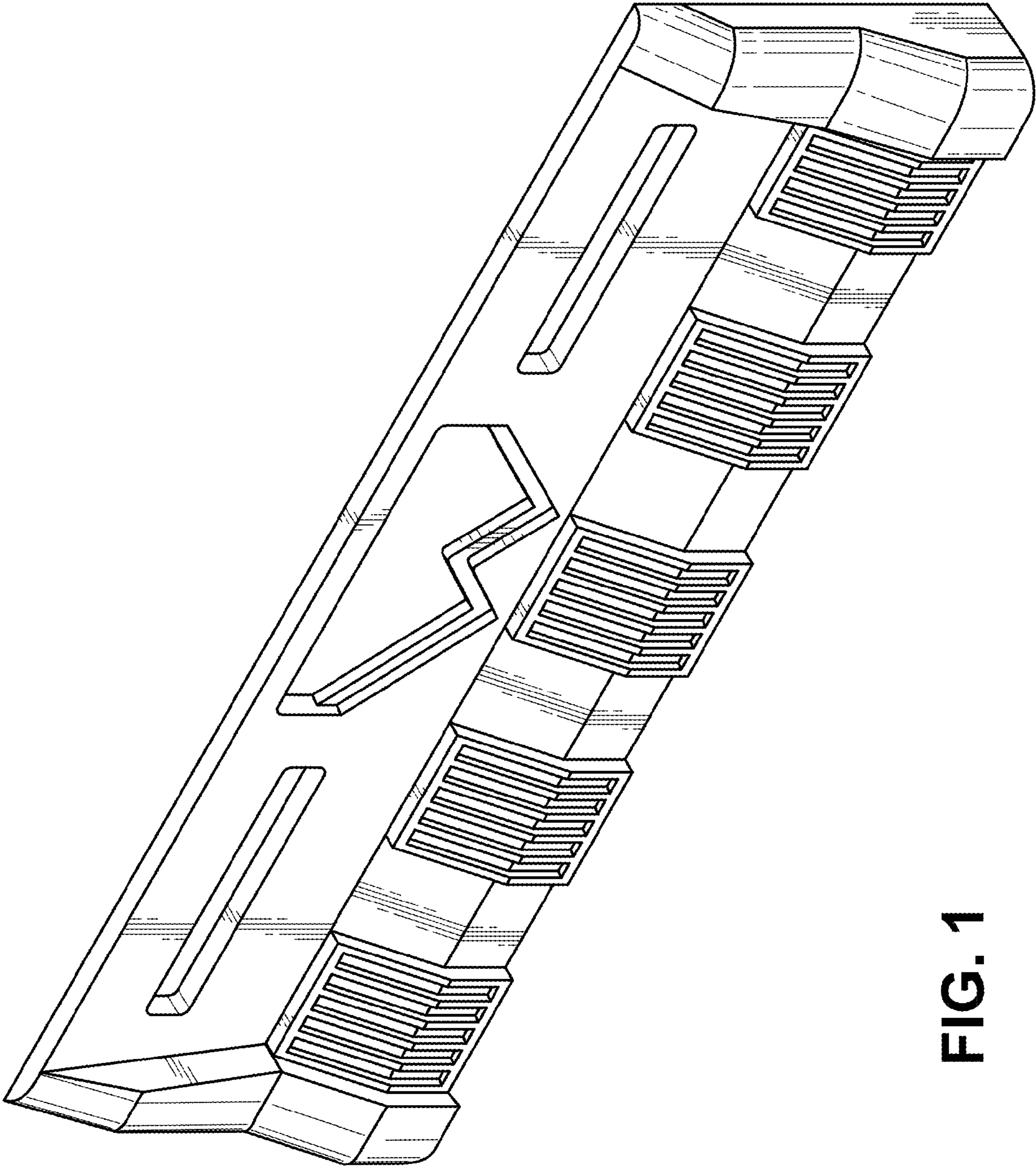


FIG. 1

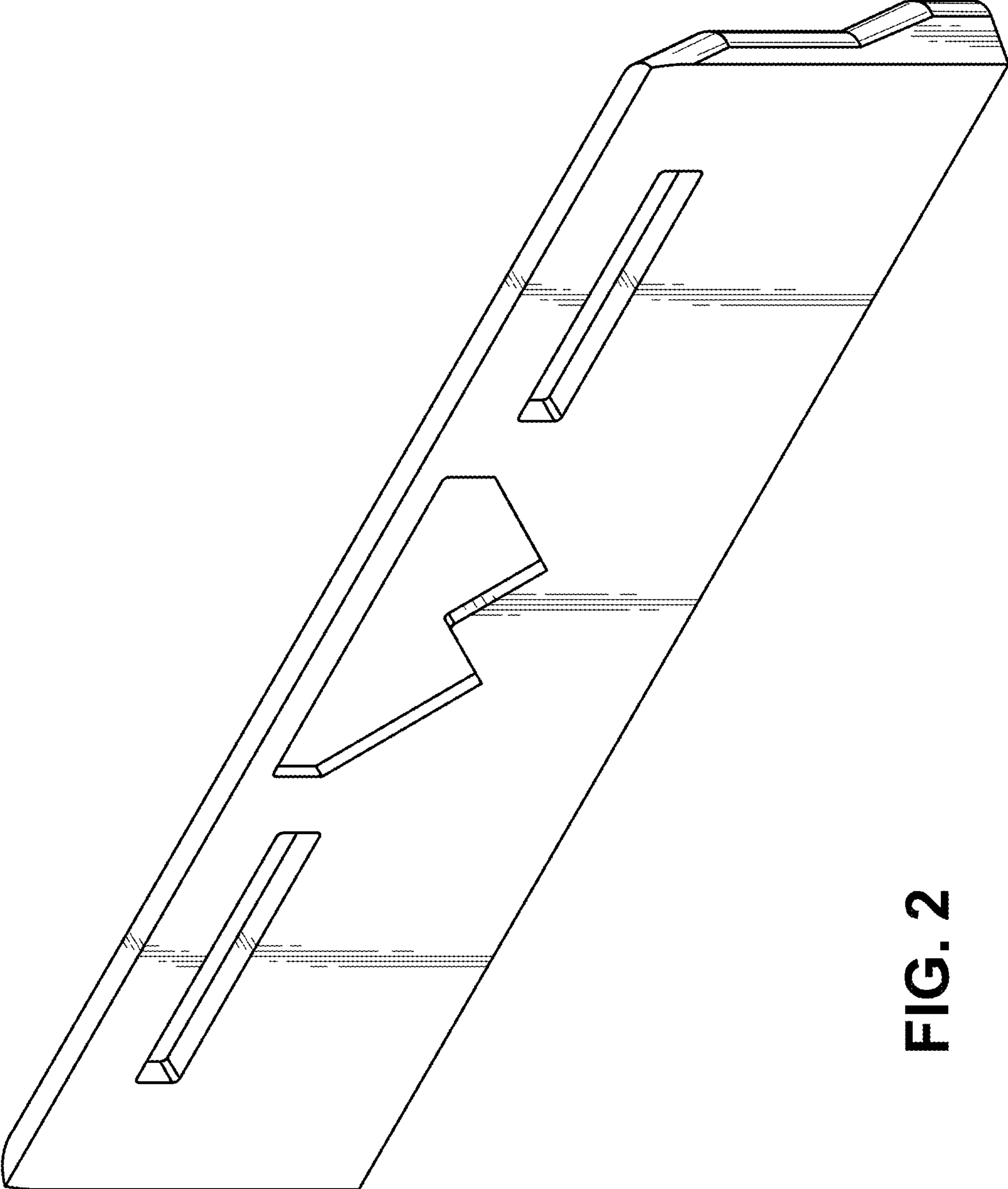


FIG. 2

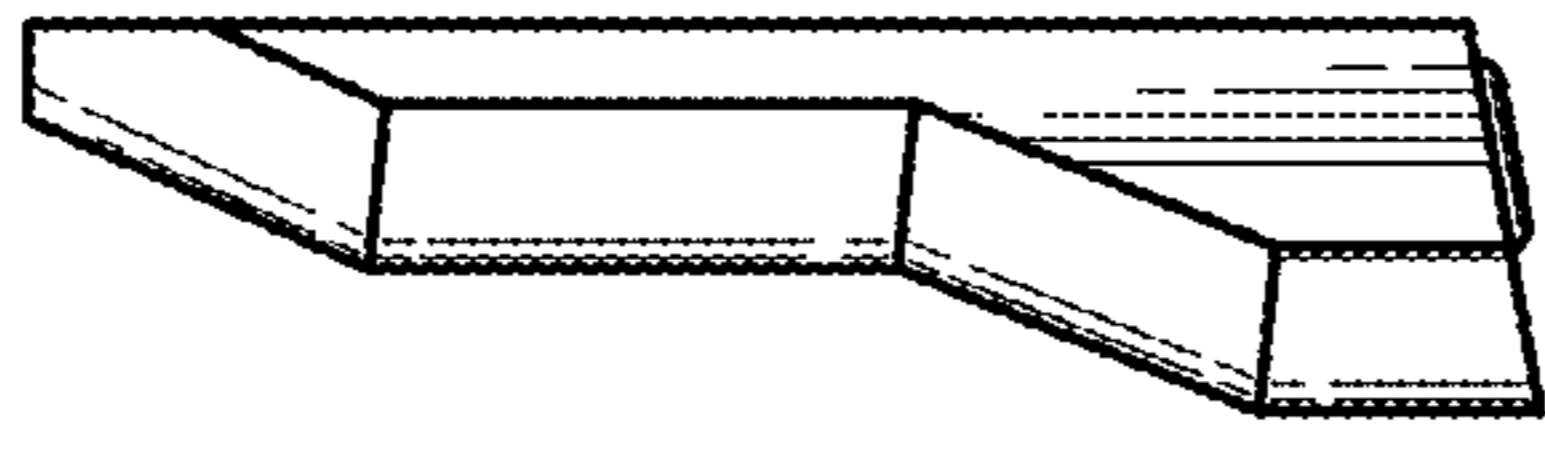


FIG. 5

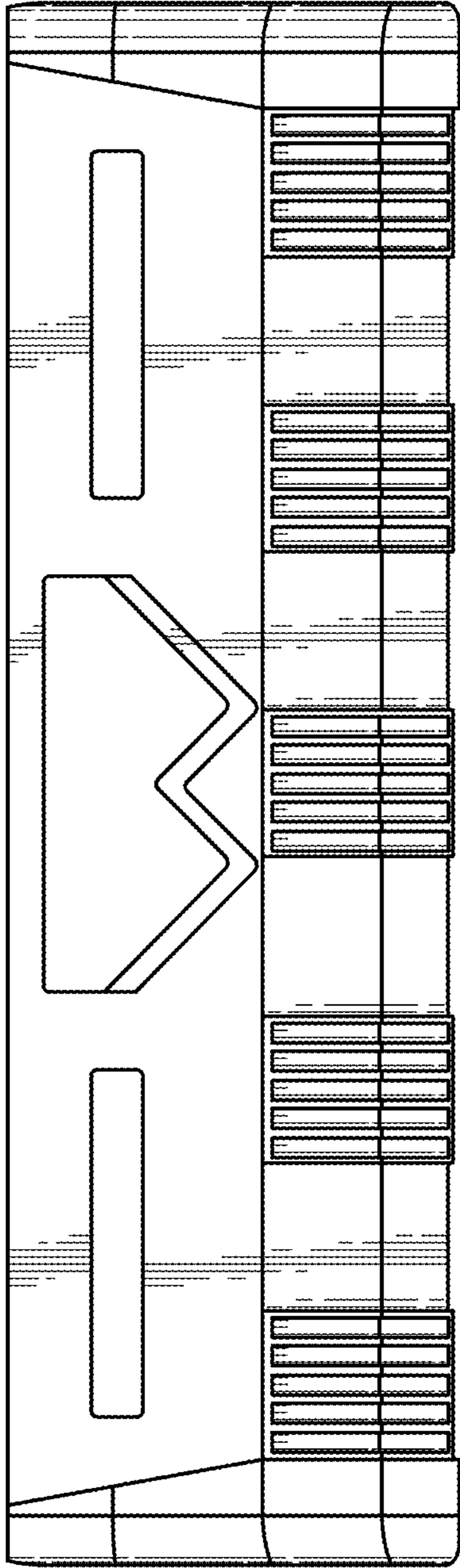


FIG. 3

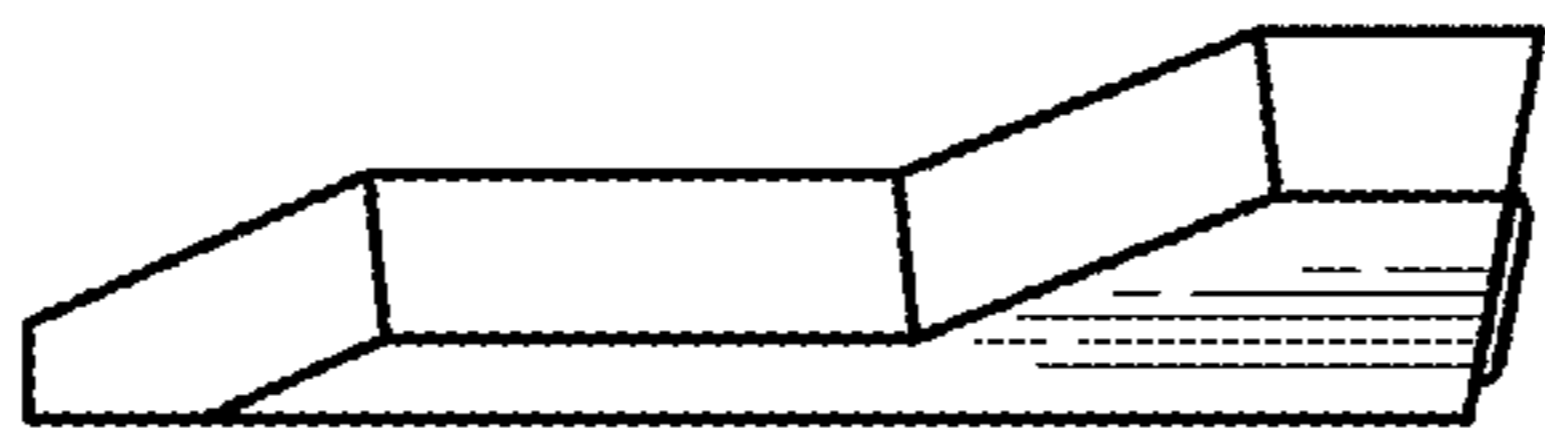


FIG. 4

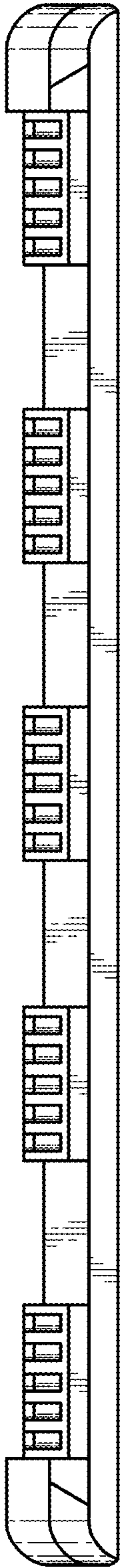


FIG. 6

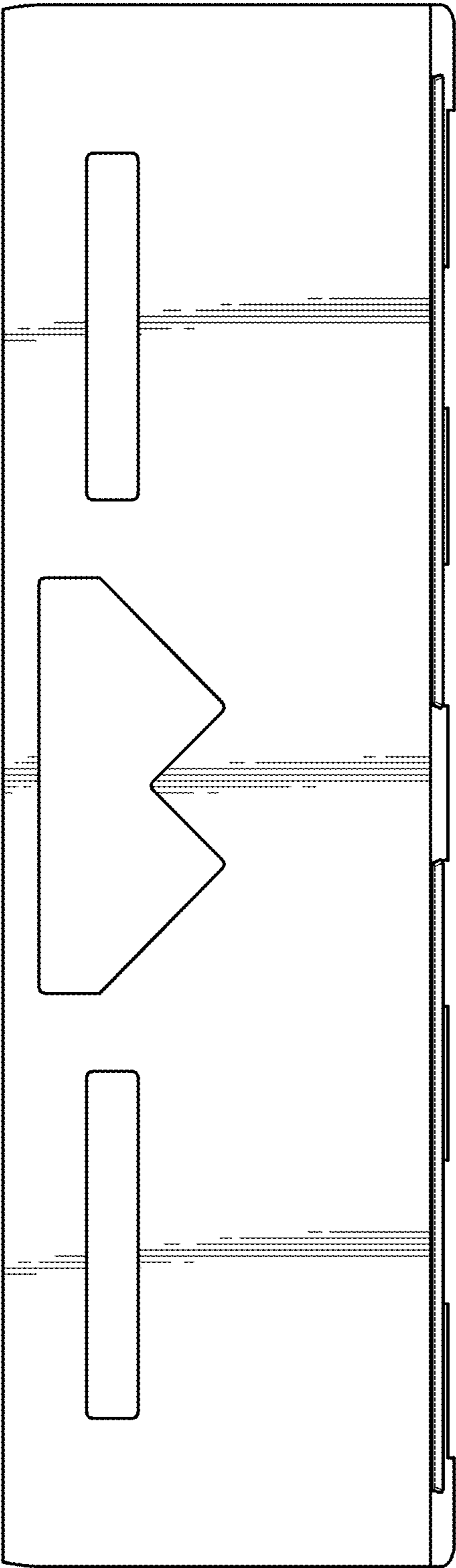


FIG. 8

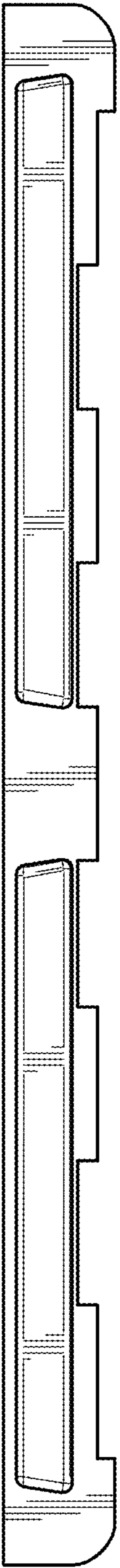


FIG. 7