



US00D986291S

(12) **United States Design Patent** (10) **Patent No.:** **US D986,291 S**  
**Corona et al.** (45) **Date of Patent:** **\*\* May 16, 2023**

(54) **PUMP FOR LIQUIDS**

B23K 9/32; B23K 9/028; B23K 9/1006;  
B23K 9/1735; B23K 11/28; B23K 37/053

See application file for complete search history.

(71) Applicant: **LEOTECH S.r.l.**, Canal San Bovo (IT)

(72) Inventors: **Italo Corona**, Canal San Bovo (IT);  
**Andrea Corona**, Canal San Bovo (IT);  
**Paolo Kaltenhauser**, Canal San Bovo  
(IT)

(56) **References Cited**

U.S. PATENT DOCUMENTS

D603,871	S	*	11/2009	Steinfels	.....	D15/7
D806,753	S	*	1/2018	Wood	.....	D15/7
D879,948	S	*	3/2020	Bunoz	.....	D24/111
D947,246	S	*	3/2022	Armour	.....	D15/7
D953,375	S	*	5/2022	Waniek	.....	D15/7
D955,442	S	*	6/2022	Gilley	.....	D15/7
2010/0084387	A1	*	4/2010	Bender	.....	B23K 9/1006 219/136
2018/0320676	A1	*	11/2018	Thackery	.....	F04B 41/02

(73) Assignee: **LEOTECH S.r.l.**, Canal San Bovo (IT)

(\*\*) Term: **15 Years**

(21) Appl. No.: **35/512,123**

(22) Filed: **Jun. 18, 2021**

(80) **Hague Agreement Data**

Int. Filing Date: **Jun. 18, 2021**  
Int. Reg. No.: **DM/214929**  
Int. Reg. Date: **Jun. 18, 2021**  
Int. Reg. Pub. Date: **Jul. 2, 2021**

(30) **Foreign Application Priority Data**

Dec. 21, 2020 (EM) ..... 8354294-0001  
Dec. 21, 2020 (EM) ..... 8354294-0002

(51) **LOC (14) Cl.** ..... **15-02**

(52) **U.S. Cl.**  
USPC ..... **D15/7**

(58) **Field of Classification Search**

USPC ..... D15/7, 8, 9.1, 9.2, 9.3, 122, 144, 144.1,  
D15/144.2; D8/300, 301, 302; D23/223,  
D23/224, 226, 233, 235, 236; D24/111  
CPC .... F04B 41/00; F04B 41/02-06; F04B 31/00;  
F04B 35/00; F04B 53/92; F04B 1/005;  
F04B 23/00; F02M 37/04; F02M 37/14;

OTHER PUBLICATIONS

“Inmalo MFX20 Quarry Video” [online]. Inmalo. [Published Jun. 22, 2021]. Retrieved from the Internet: <<https://www.youtube.com/watch?v=54aswTGcyWQ>>.\*  
“Dura-Pump Quick Caddy with Meter—12V EPDM | DPQM-4312E” [online]. Dura-Pump. [Retrieved on Aug. 26, 2022]. Retrieved from the Internet: <<https://barndoorag.com/dura-pump-quick-caddy-with-meter-12v-epdm/>>.\*  
“Products—Pumps” [online]. Generac. [Retrieved on Aug. 26, 2022]. Retrieved from the Internet: <<https://www.generacmobileproducts.com/products/pumps/>>.\*

\* cited by examiner

*Primary Examiner* — Mojtaba Tehrani  
(74) *Attorney, Agent, or Firm* — Bay State IP, LLC

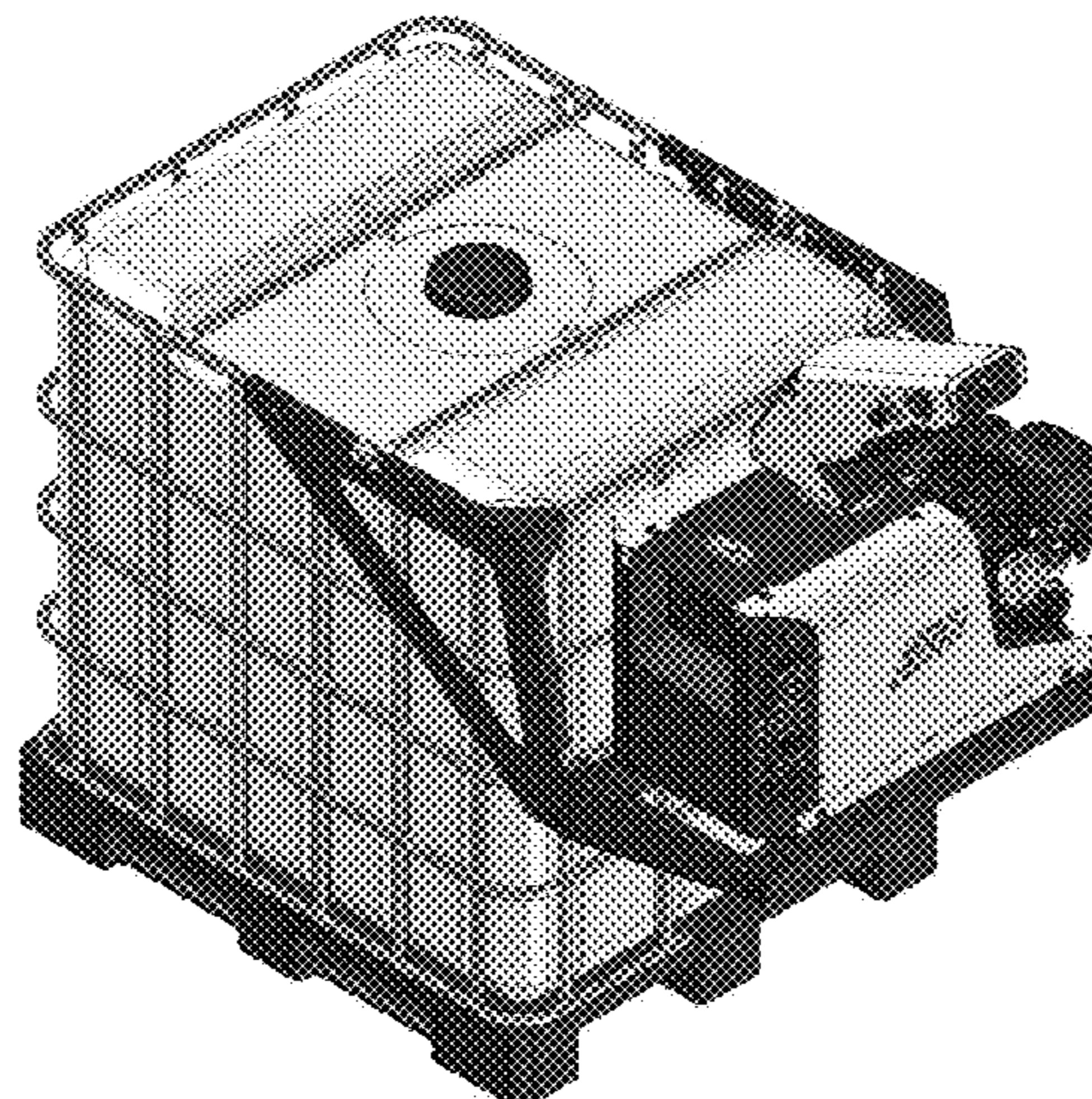
(57) **CLAIM**

The ornamental design for a pump for liquids, as shown and described.

**DESCRIPTION**

- 1. Pump for liquids
- 1.1: Top perspective view
- 1.2: Rear view
- 1.3: Side view
- 1.4: Side view

(Continued)

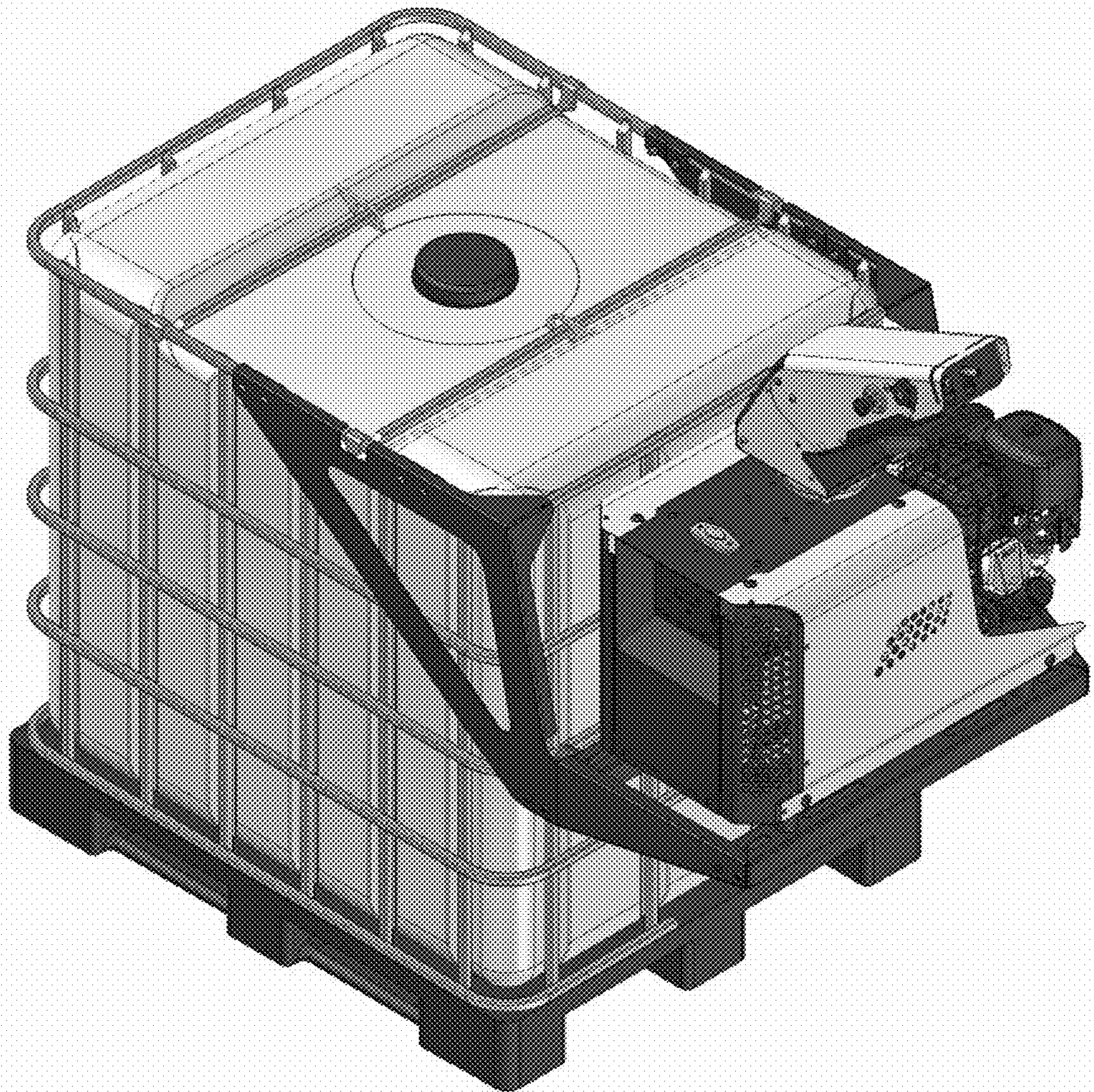


**1.5:** Front view

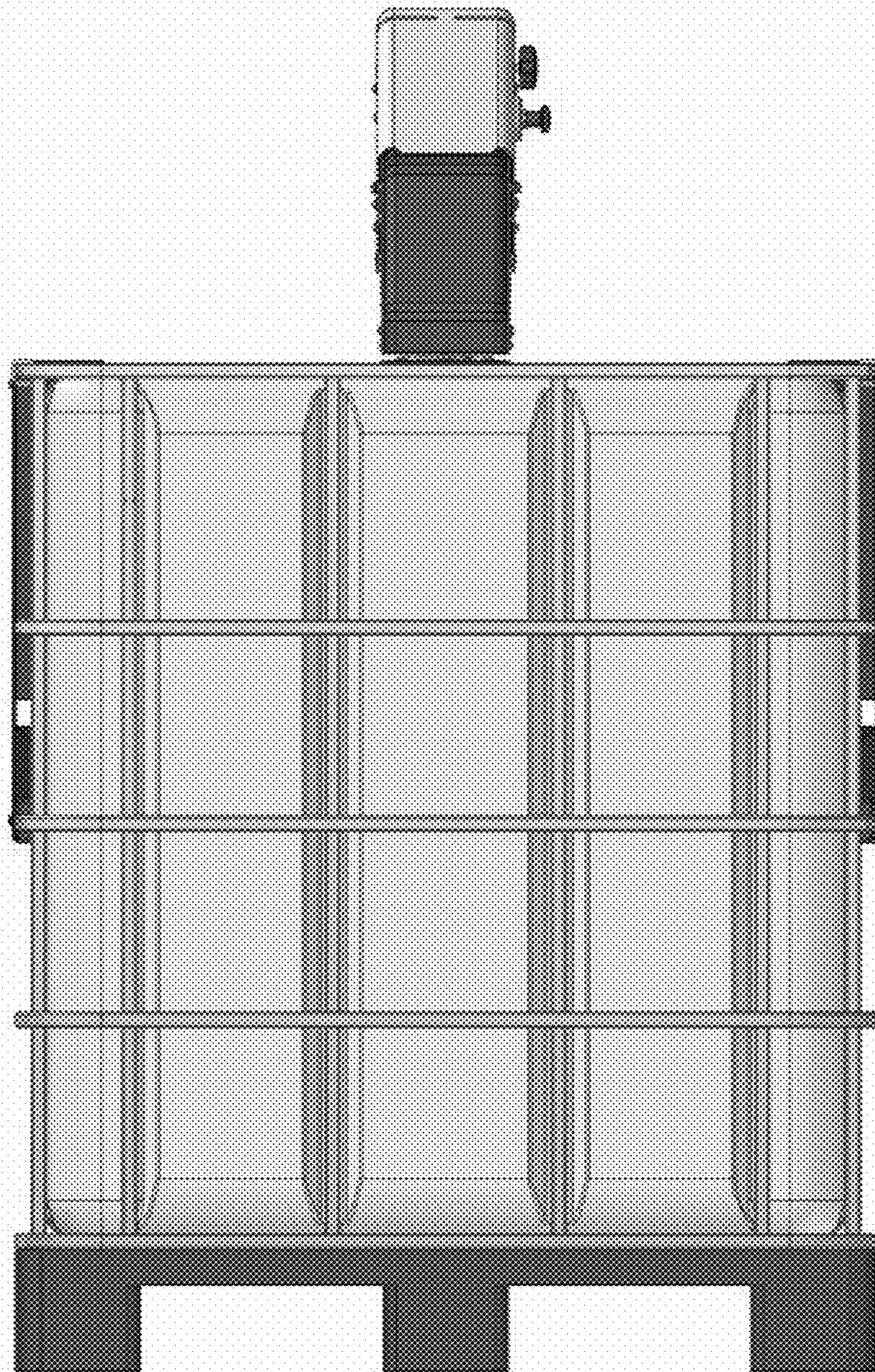
**1.6:** Top view

**1 Claim, 6 Drawing Sheets**

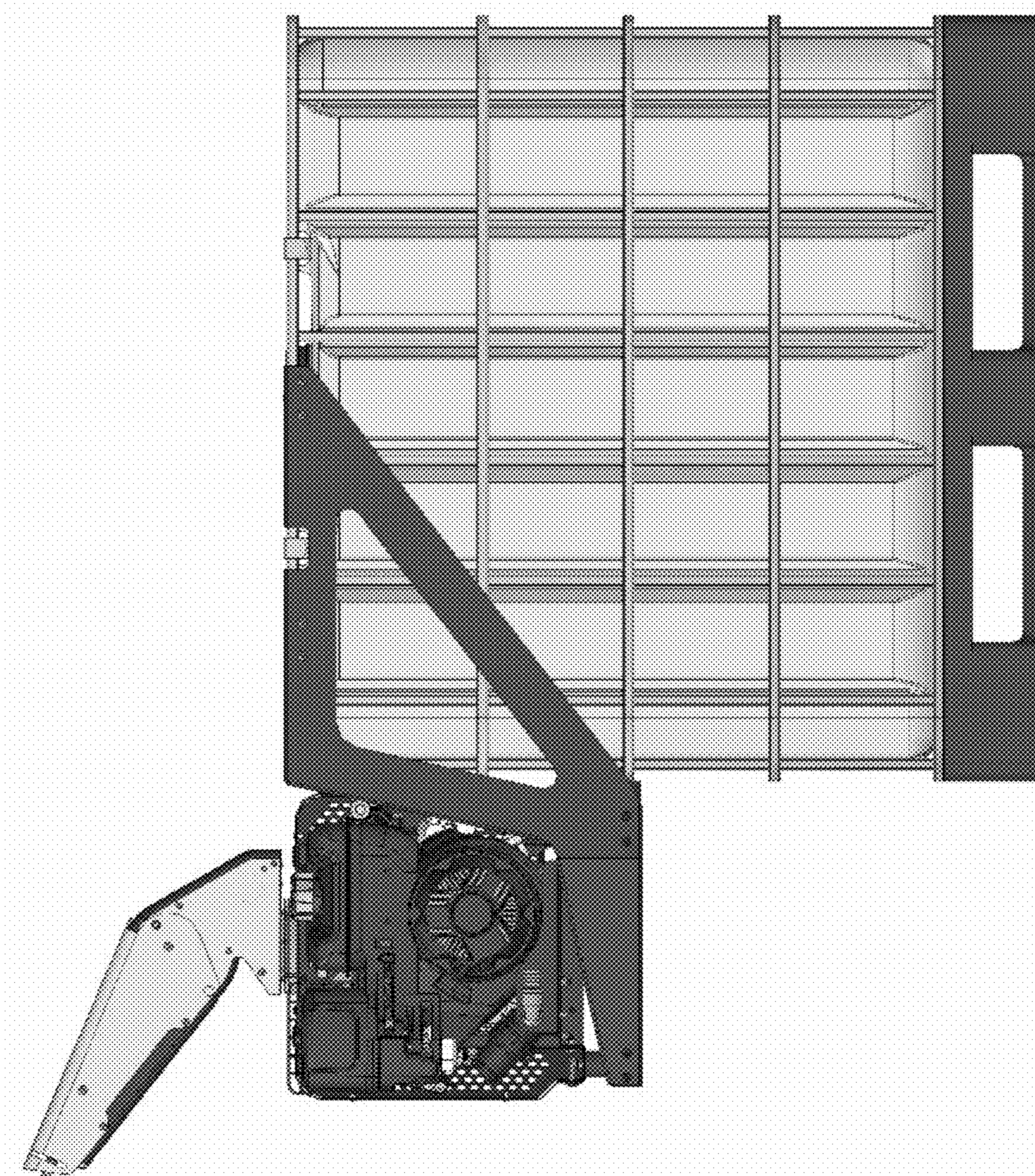
1.1



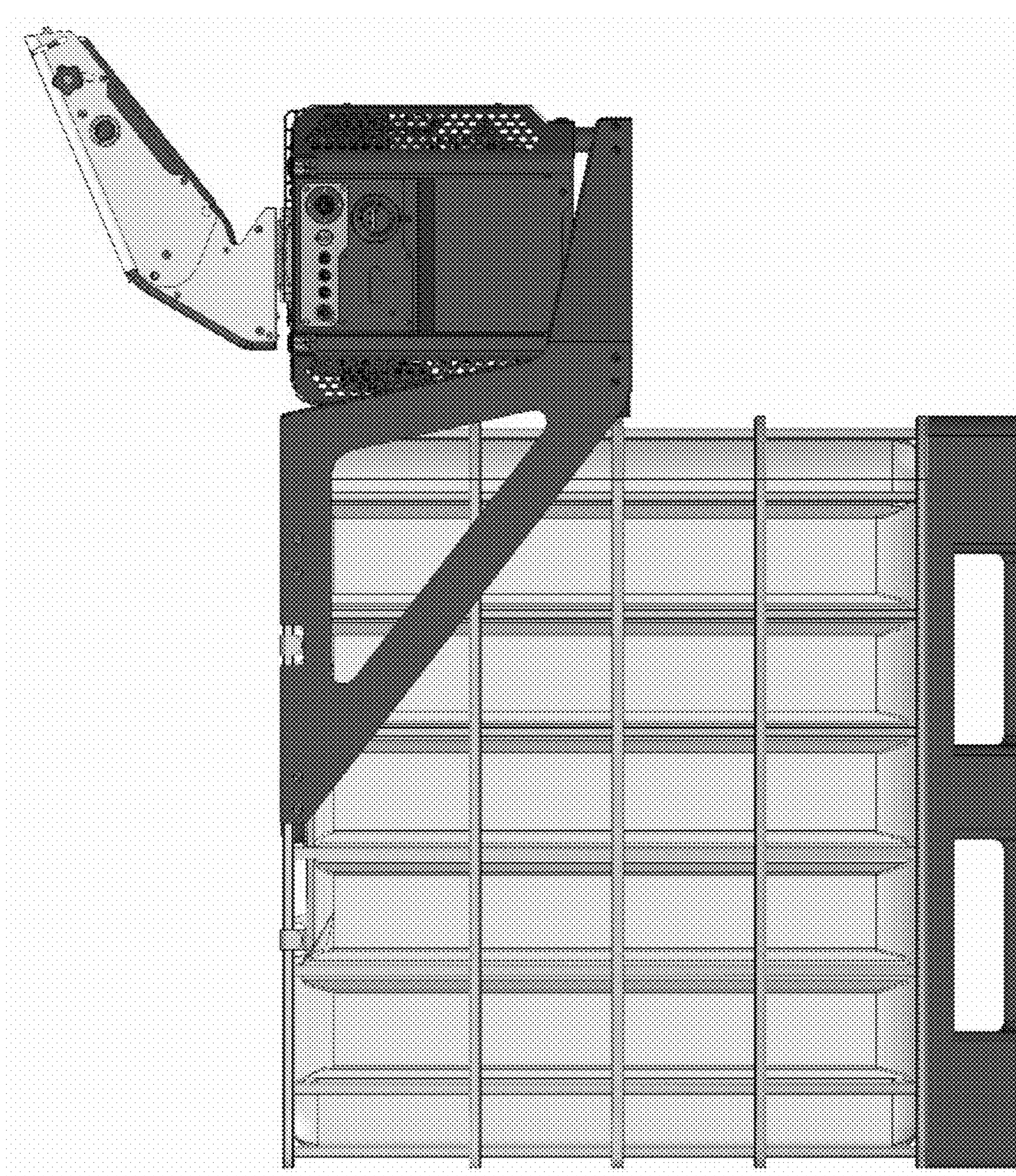
1.2



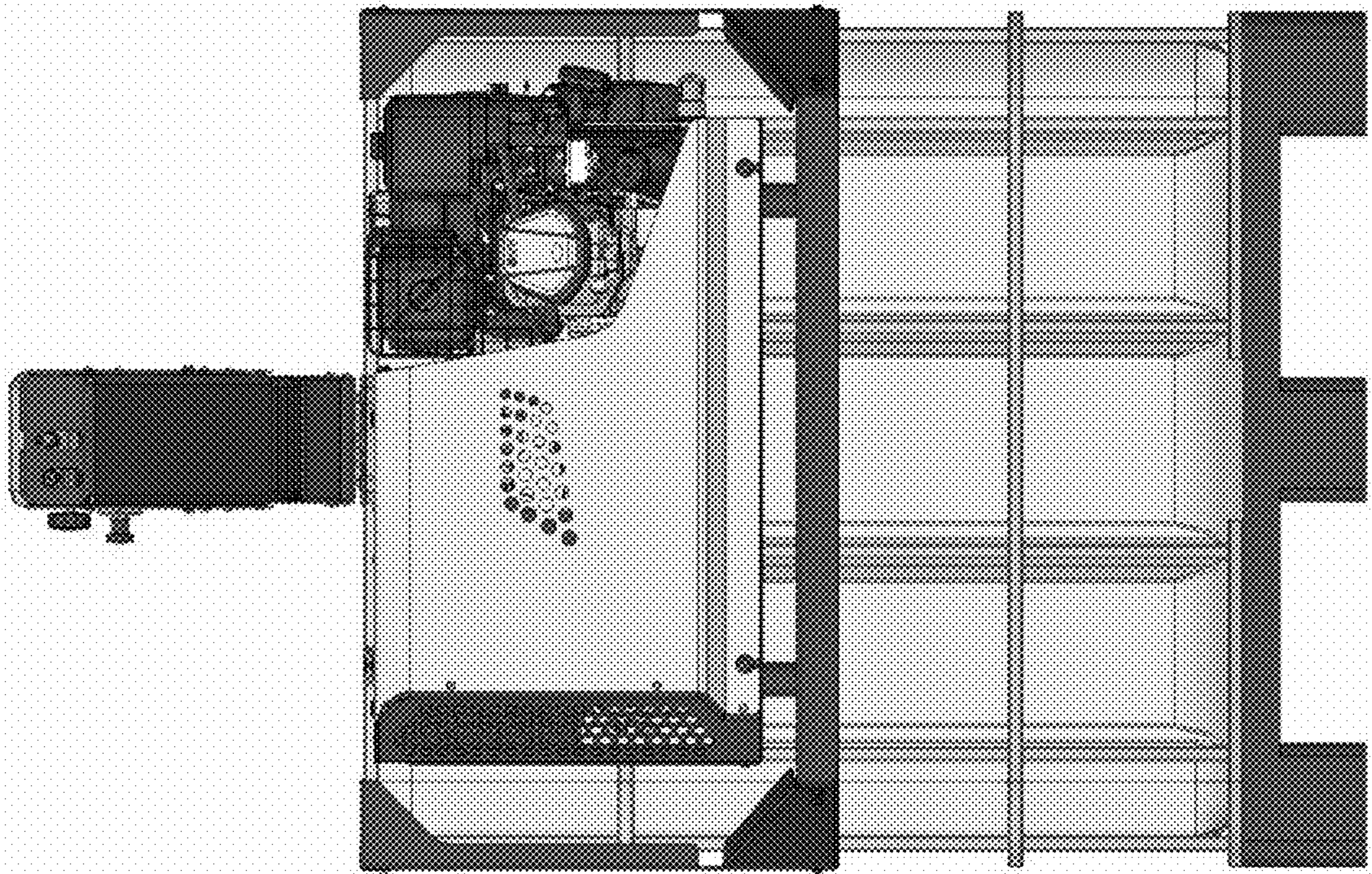
1.3

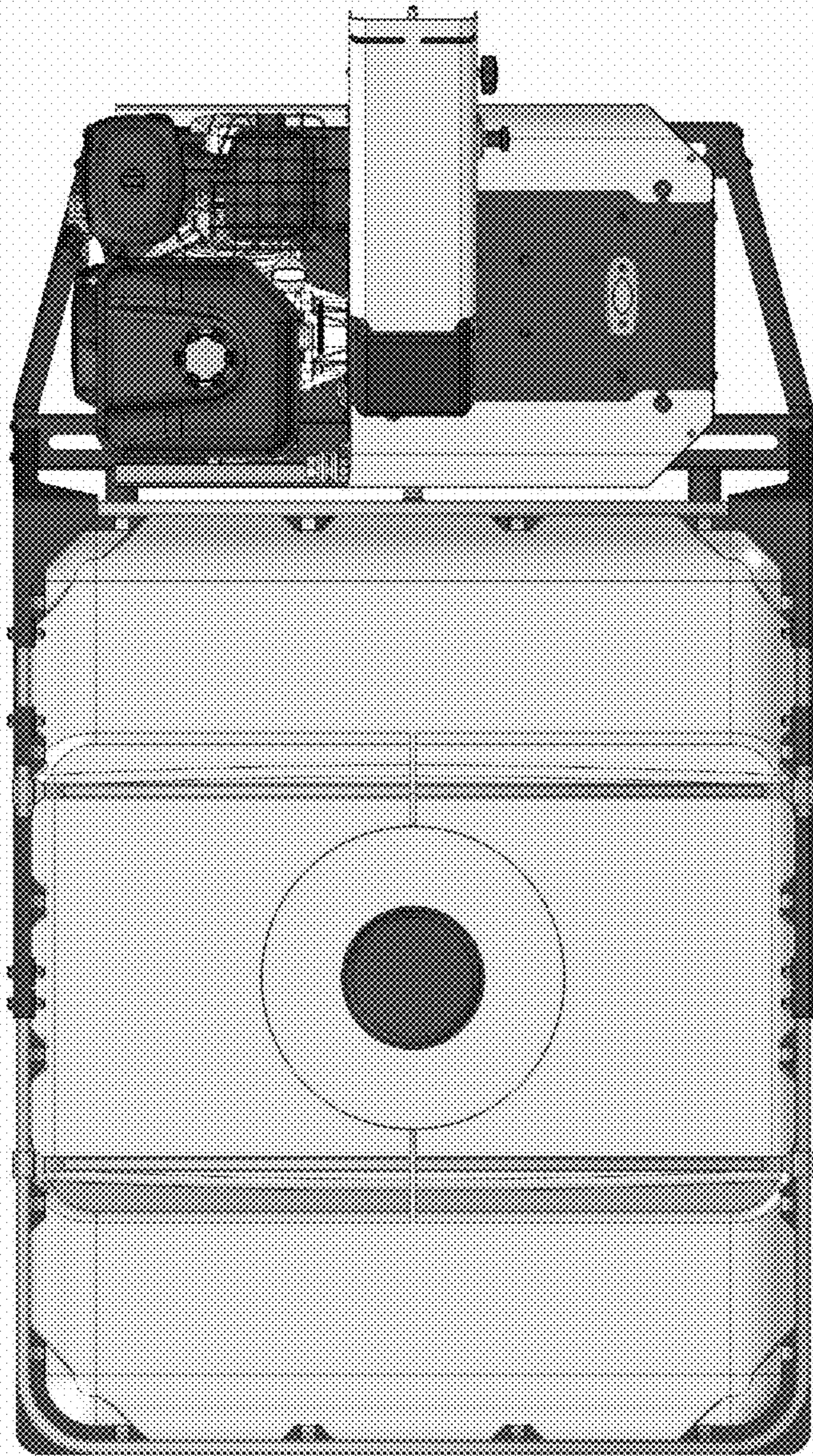


1.4



1.5





1.6