



US00D986290S

(12) **United States Design Patent** (10) **Patent No.:** **US D986,290 S**
Solana et al. (45) **Date of Patent:** **** May 16, 2023**

(54) **CONTROLLER FOR PNEUMATIC
COMPRESSION DEVICE**

(71) Applicant: **Therabody, Inc.**, Los Angeles, CA
(US)
(72) Inventors: **Jaime Sanchez Solana**, Los Angeles,
CA (US); **Brian Carberry**, Beverly
Hills, CA (US); **Brian Zeng**, Dongguan
(CN); **Washington Alexander Silva
Garces**, Los Angeles, CA (US);
William Webb, San Francisco, CA
(US); **Patrick Tufts**, San Francisco, CA
(US); **Cale Kaufman**, Oakland, CA
(US)

(73) Assignee: **Therabody, Inc.**, Los Angeles, CA
(US)

(**) Term: **15 Years**

(21) Appl. No.: **29/868,264**

(22) Filed: **Nov. 28, 2022**

Related U.S. Application Data

(62) Division of application No. 29/821,805, filed on Jan.
3, 2022, now Pat. No. Des. 971,267.

(51) **LOC (14) Cl.** **15-02**

(52) **U.S. Cl.**
USPC **D15/7; D24/200**

(58) **Field of Classification Search**

USPC D15/7-9; D14/163, 165, 172, 203.3,
D14/203.6, 209.1, 214, 221, 497, 499,
D14/509, 510; D24/168, 186, 213, 217,
D24/218, 233; D23/225, 231, 232, 366,
D23/356; D13/107
CPC F04B 53/14; F04B 53/92; F04B 33/00;
F04B 33/005; F04B 1/005; F04D 13/06;
F04D 29/22; F04D 29/046; F04D
29/2266; F16K 11/048; F16K 15/20;
F16K 31/602; F16L 37/18; F16L 37/20;
A61H 1/006; A61H 1/00; A61H 9/0078

See application file for complete search history.

(56) **References Cited**

U.S. PATENT DOCUMENTS

D247,957 S 5/1978 Adams
D307,806 S 5/1990 Byar et al.
D399,506 S * 10/1998 Takahashi D14/510
(Continued)

FOREIGN PATENT DOCUMENTS

CN 305029301 2/2019
CN 306895553 10/2021

OTHER PUBLICATIONS

Carlo G., How to Use Air Compression Boots?, Spectralbody.com,
Apr. 11, 2020, <https://www.spectralbody.com/fitness-gadgets/how-to-use-recovery-boots-the-best-air-compression-systems/>.

(Continued)

Primary Examiner — Calvin E Vansant

Assistant Examiner — Mark T. Philipps

(74) *Attorney, Agent, or Firm* — Sterne, Kessler,
Goldstein & Fox P.L.L.C.

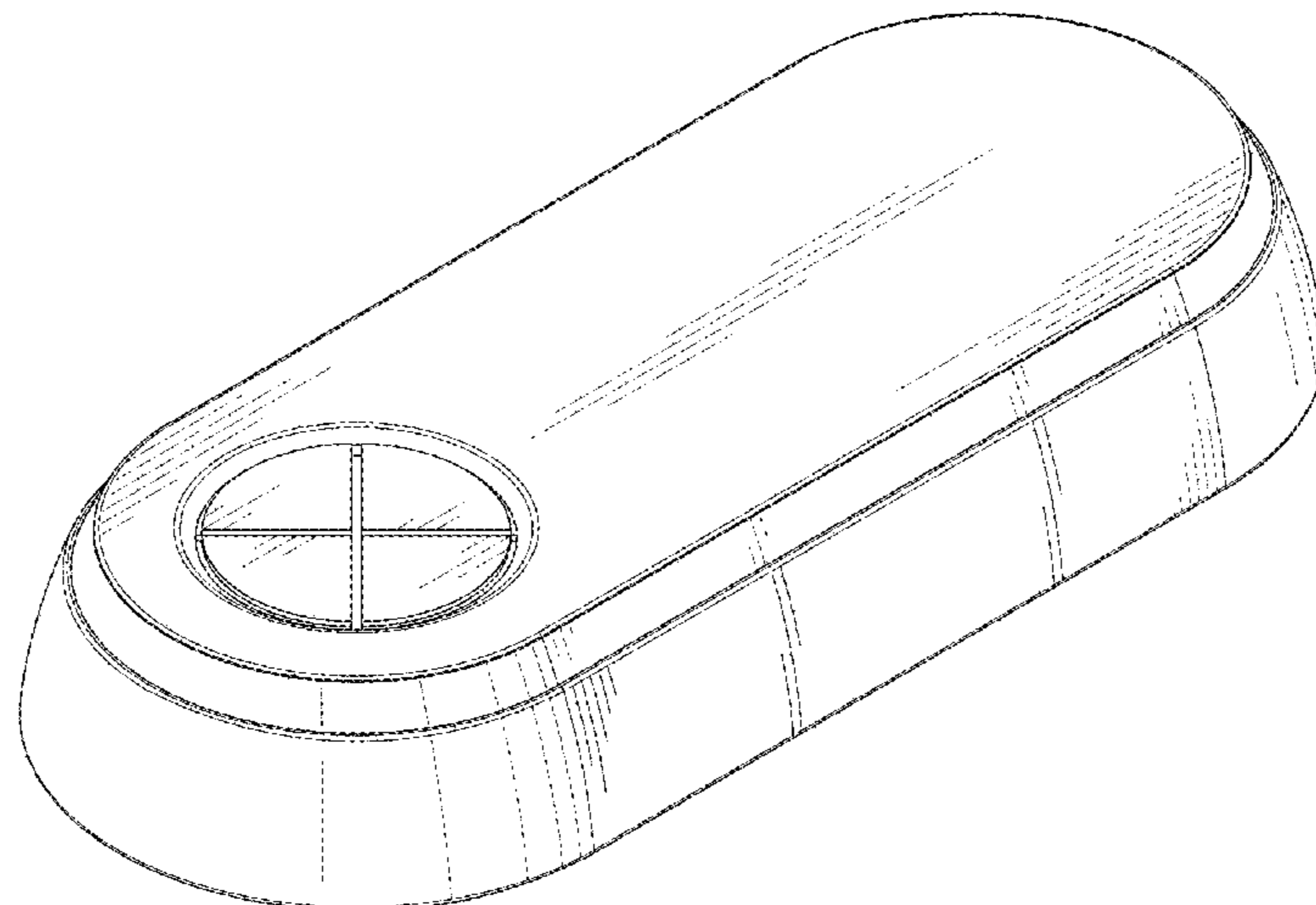
(57) **CLAIM**

The ornamental design for a controller for pneumatic com-
pression device, as shown and described.

DESCRIPTION

FIG. 1 is a perspective view of a controller for pneumatic
compression device showing the claimed design;
FIG. 2 is a front elevational view;
FIG. 3 is a rear elevational view thereof;
FIG. 4 is a right elevational view, the left elevational view
being a mirror image thereof;
FIG. 5 is a top plan view thereof; and,
FIG. 6 is a bottom plan view thereof.

1 Claim, 5 Drawing Sheets



(56)

References Cited

U.S. PATENT DOCUMENTS

D572,654 S 7/2008 Kang et al.
 7,909,786 B2 3/2011 Bonnefin et al.
 D648,703 S 11/2011 Andre et al.
 D650,507 S 12/2011 Osiecki et al.
 D653,648 S 2/2012 Andre et al.
 D656,554 S 3/2012 Mar
 D657,383 S 4/2012 Wang
 D662,644 S 6/2012 Wauters
 D707,827 S 6/2014 Tseng et al.
 D740,929 S 10/2015 Pipe et al.
 D744,109 S 11/2015 Yoneta et al.
 D744,110 S 11/2015 Kubo et al.
 D747,265 S 1/2016 Marini
 D755,974 S 5/2016 Chen et al.
 D756,557 S 5/2016 Bryant et al.
 9,572,719 B2 2/2017 Long et al.
 D789,364 S 6/2017 Jenz et al.
 9,668,932 B2 6/2017 Mansur, Jr. et al.
 D830,535 S 10/2018 Muther et al.
 D837,388 S 1/2019 Dacosta et al.
 D852,946 S 7/2019 Muther et al.

D870,777 S 12/2019 Pukall et al.
 D917,065 S 4/2021 Cui et al.
 D919,101 S 5/2021 Jung et al.
 D921,120 S 6/2021 Martisauskas et al.
 D929,566 S 8/2021 Wu
 D930,144 S 9/2021 Lee
 D936,579 S 11/2021 Wang et al.
 D946,749 S 3/2022 Smith et al.
 D948,480 S 4/2022 Yang
 D963,564 S * 9/2022 Osellame D13/107
 D964,578 S * 9/2022 Wu D24/200
 D967,397 S * 10/2022 Chen D15/7
 D971,266 S * 11/2022 Solana D15/7
 D971,267 S * 11/2022 Solana D15/7
 D973,885 S * 12/2022 Levine D24/186

OTHER PUBLICATIONS

Fit King, Leg Massager for Circulation and Muscle Relaxation, Amazon.com., first available Oct. 9, 2018, <https://www.amazon.com/dp/B07GL2DP8F>.

* cited by examiner

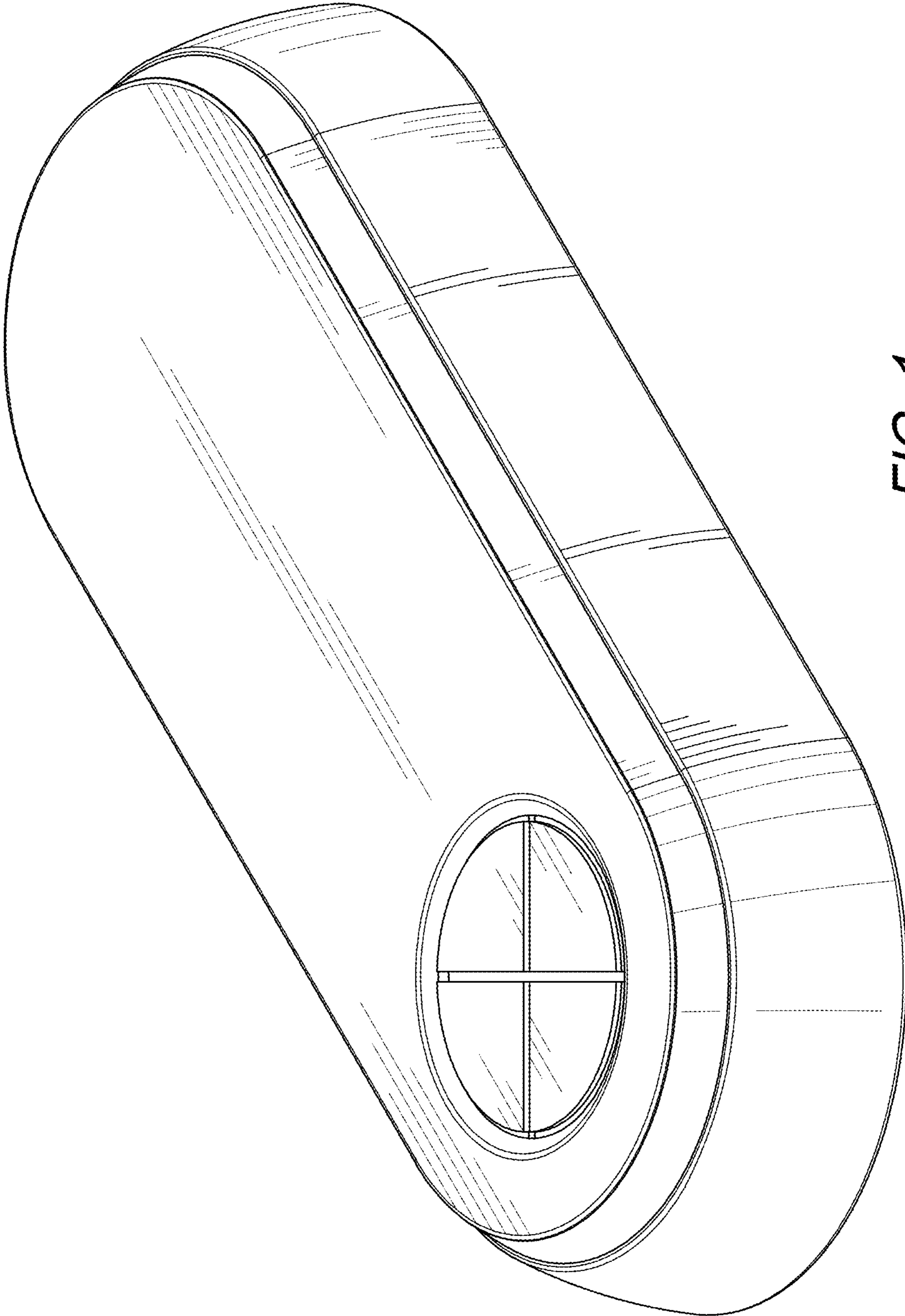


FIG. 1

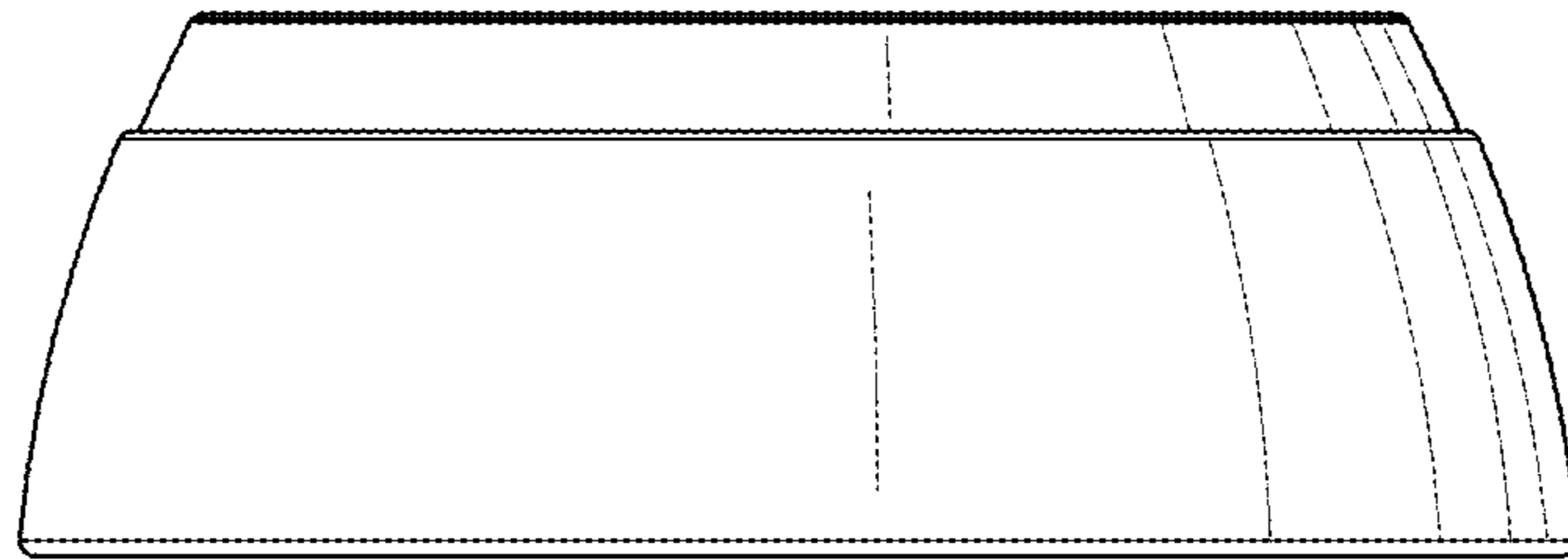


FIG. 2

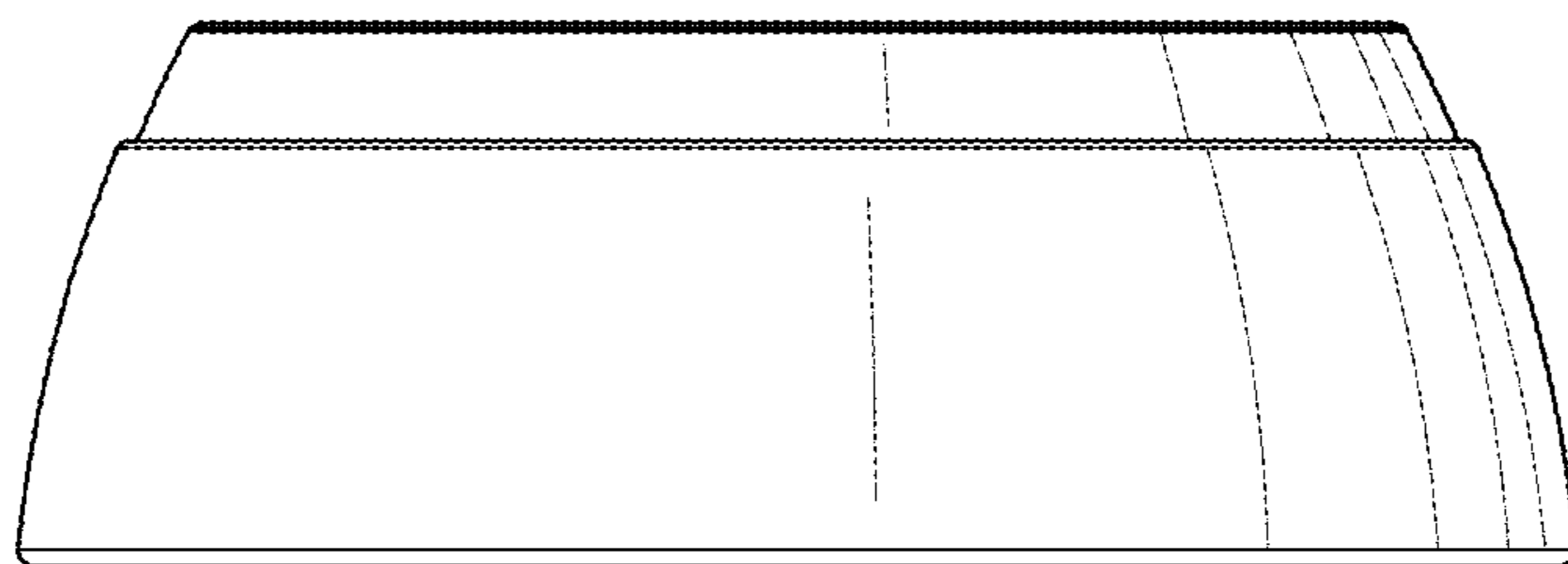


FIG. 3

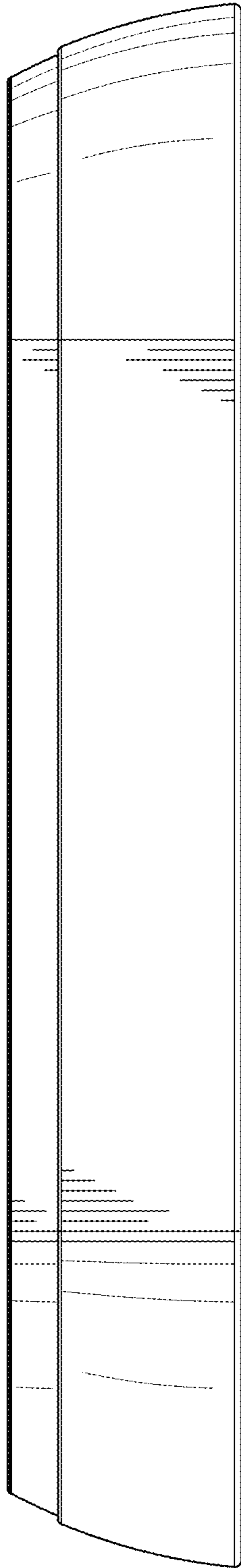


FIG. 4

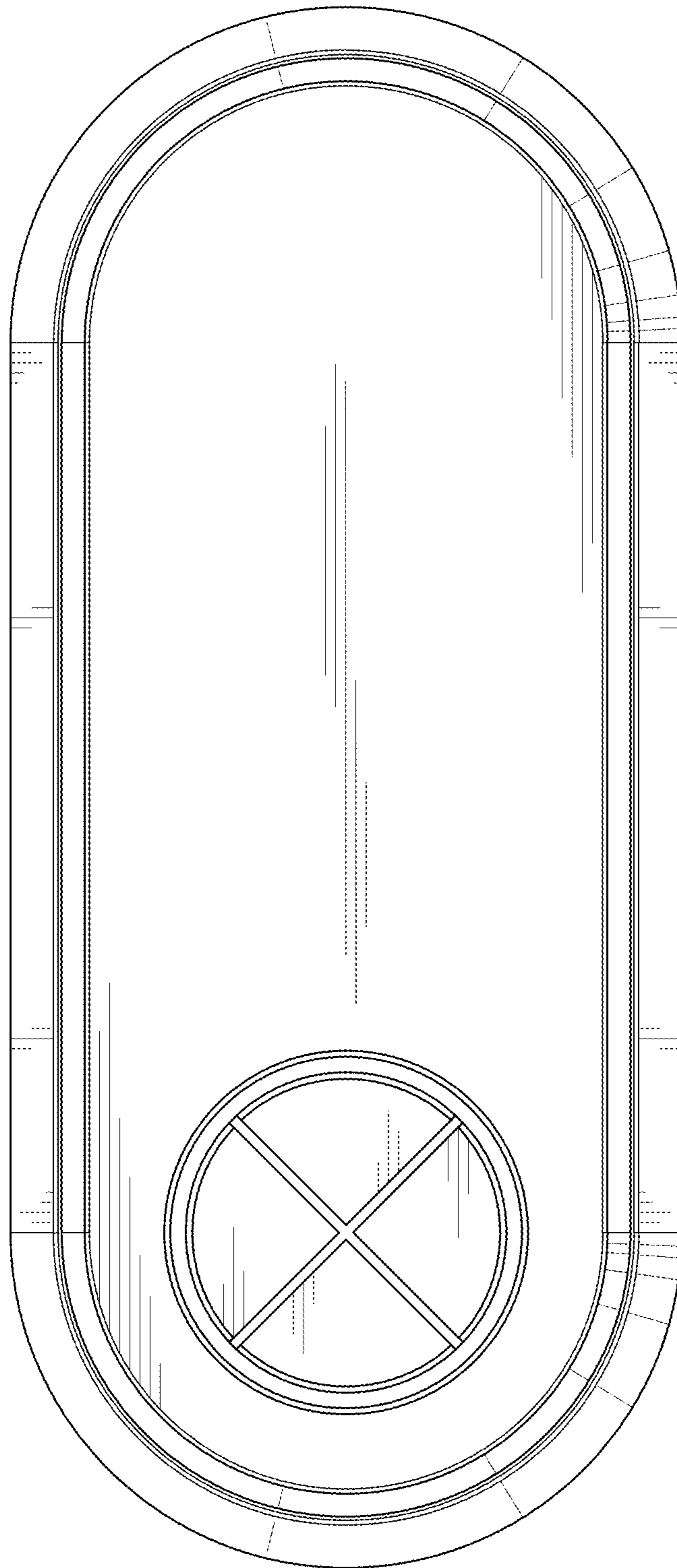


FIG. 5

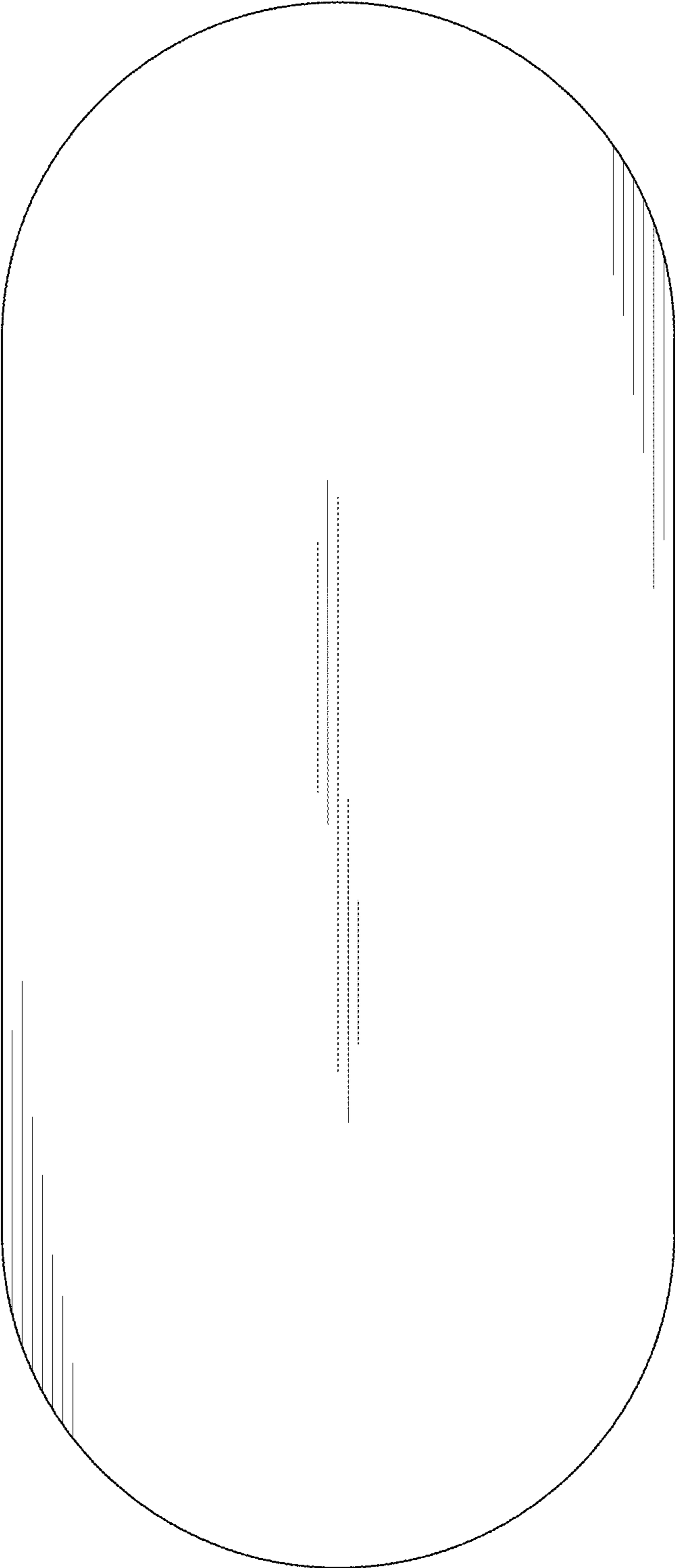


FIG. 6