



US00D986289S

(12) **United States Design Patent**
Mjelde

(10) **Patent No.:** **US D986,289 S**

(45) **Date of Patent:** **** May 16, 2023**

(54) **CENTRIFUGAL PUMP**

(71) Applicant: **AquaStar Pool Products, Inc.**, Ventura, CA (US)

(72) Inventor: **Olaf Mjelde**, Ventura, CA (US)

(73) Assignee: **AQUASTAR POOL PRODUCTS, INC.**, Ventura, CA (US)

(**) Term: **15 Years**

(21) Appl. No.: **29/842,946**

(22) Filed: **Jun. 16, 2022**

2,951,449 A	9/1960	Van Blarcom, Jr.
3,243,102 A	3/1966	McMahon
3,396,906 A	8/1968	Newton
3,418,991 A	12/1968	Shultz
3,425,355 A	2/1969	La Flame
3,468,260 A	9/1969	Belden
3,542,201 A	11/1970	Belonger
3,614,256 A	10/1971	Sieghartner

(Continued)

FOREIGN PATENT DOCUMENTS

EP	0657602	6/1995
EP	1267085	12/2002

(Continued)

OTHER PUBLICATIONS

<https://www.pentair.com/en-us/products/residential/pool-spa-equipment/pool-pumps>, 9 pages.

(Continued)

Primary Examiner — Calvin E Vansant

Assistant Examiner — Mark T. Philipps

(74) *Attorney, Agent, or Firm* — Cislo & Thomas, LLP

(57) **CLAIM**

The ornamental design for a centrifugal pump, as shown and described.

DESCRIPTION

FIG. 1 is a rear perspective view of my centrifugal pump; FIG. 2 is a rear view thereof; FIG. 3 is a front view thereof; FIG. 4 is a right side view thereof; FIG. 5 is a left side view thereof; FIG. 6 is a top plan view thereof; and, FIG. 7 is a bottom plan view thereof. The broken lines shown in the drawings illustrate portions of my centrifugal pump that form no part of the claimed design.

1 Claim, 7 Drawing Sheets

Related U.S. Application Data

(60) Continuation-in-part of application No. 29/831,619, filed on Mar. 22, 2022, now Pat. No. Des. 971,966, which is a division of application No. 29/759,699, filed on Nov. 24, 2020, now Pat. No. Des. 946,629.

(51) **LOC (14) Cl.** **15-02**

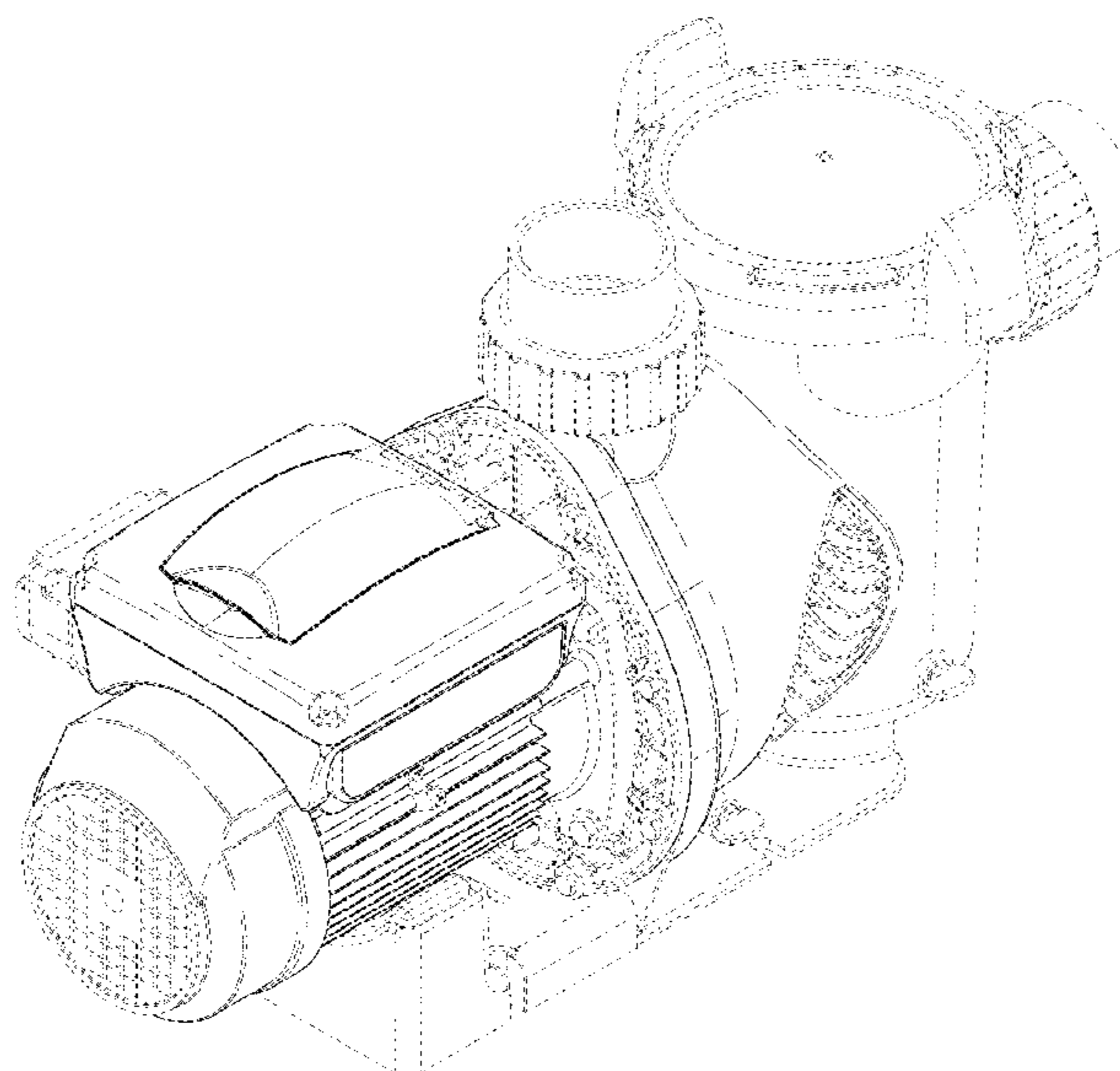
(52) **U.S. Cl.**
USPC **D15/7**

(58) **Field of Classification Search**
USPC D15/7-8; D23/206, 213, 214, 387, 421
CPC . F04D 1/00; F04D 1/14; F04D 29/007; F04D 29/406; F04D 29/426; F04D 29/4293; F04D 13/06; F04D 29/041; F04D 29/22; F04D 29/60; F04D 29/605; F04D 15/0088; F04D 15/0066; F04D 15/0245
See application file for complete search history.

(56) **References Cited**

U.S. PATENT DOCUMENTS

1,623,103 A	4/1927	Frederick
D131,875 S	3/1942	Houston
2,477,079 A	7/1949	Mueller
2,865,539 A	12/1958	Edwards
2,945,448 A	7/1960	Frederick



(56)

References Cited

U.S. PATENT DOCUMENTS

3,637,331 A 1/1972 Smith et al.
 3,685,919 A 8/1972 Speck
 3,744,635 A 7/1973 Horvath
 3,877,845 A 4/1975 Green et al.
 3,909,415 A 9/1975 Young
 3,920,352 A 11/1975 Speck et al.
 3,966,363 A 6/1976 Rowley et al.
 4,059,519 A 11/1977 Zieg
 D255,480 S 6/1980 Zieg
 4,242,064 A 12/1980 Uncles
 4,269,557 A 5/1981 Kidd
 4,287,067 A 9/1981 Dynner
 4,353,846 A 10/1982 Mehrens et al.
 4,473,470 A 9/1984 Loutit
 4,629,557 A 12/1986 Tobias
 4,773,823 A 9/1988 Pease
 4,783,260 A 11/1988 Kurihara
 D299,143 S 12/1988 Hazlehurst
 4,871,303 A 10/1989 Roesier
 4,898,513 A 2/1990 Hon
 5,076,758 A 12/1991 Palgrave
 5,156,535 A 10/1992 Budris et al.
 5,180,280 A 1/1993 Honda
 5,409,606 A 4/1995 Spencer
 D372,719 S 8/1996 Jensen
 5,624,559 A 4/1997 Levin et al.
 5,858,234 A 1/1999 Sukun
 5,897,787 A 4/1999 Keller
 D419,567 S 1/2000 Weiss
 6,041,453 A 3/2000 Barrow et al.
 D425,911 S 5/2000 Fleischer et al.
 6,149,407 A 11/2000 Laing
 6,187,179 B1 2/2001 Mayer et al.
 6,287,466 B1 9/2001 Yassin
 D450,106 S 11/2001 Herr
 D450,327 S 11/2001 Herr
 6,379,127 B1 4/2002 Andrews et al.
 D466,522 S 12/2002 Huang
 6,554,587 B2 4/2003 Paolini et al.
 6,623,245 B2 9/2003 Meza et al.
 6,659,717 B1 12/2003 Kao
 6,716,348 B1 4/2004 Morgan
 6,824,354 B2 11/2004 Laing
 D507,579 S 7/2005 Rossman et al.
 6,939,463 B2 9/2005 Leaverton
 6,955,637 B1 10/2005 Montano et al.
 6,974,303 B2 12/2005 Wang
 7,001,159 B2 2/2006 Peterson, Jr. et al.
 D517,570 S 3/2006 Stiles, Jr. et al.
 7,063,791 B2 6/2006 Miner
 7,083,392 B2 8/2006 Meza et al.
 D536,705 S 2/2007 Griffin et al.
 7,191,998 B1 3/2007 Chalberg et al.
 7,223,337 B1 5/2007 Franzino et al.
 D550,805 S 9/2007 Hazlehurst
 D551,256 S 9/2007 Pecca et al.
 D557,374 S 12/2007 Pecca
 D568,340 S 5/2008 Stiles, Jr. et al.
 D573,607 S 7/2008 Bulter
 D588,159 S 3/2009 Griffin et al.
 D590,842 S 4/2009 Clark et al.
 7,531,092 B2 5/2009 Hazlehurst
 7,686,587 B2 3/2010 Koehl
 7,686,589 B2 3/2010 Stiles, Jr. et al.
 7,878,766 B2 2/2011 Meza et al.
 8,186,517 B2 5/2012 Bowman et al.
 8,602,743 B2 12/2013 Stiles
 D713,860 S 9/2014 Pedrollo
 9,079,128 B2 7/2015 Parcell et al.
 D775,236 S 12/2016 Bruning et al.
 D817,361 S 5/2018 Weber et al.
 D822,719 S 7/2018 Hines et al.
 10,883,493 B1 1/2021 Walden
 D919,667 S 5/2021 Bader
 D932,520 S 10/2021 Johnson

D934,304 S 11/2021 Lin
 D946,627 S 3/2022 Wang
 D946,629 S 3/2022 Mjelde
 11,408,441 B1 8/2022 Mjelde
 D962,997 S * 9/2022 Xu D15/7
 D966,342 S * 10/2022 Pedrollo F04D 29/026
 D15/7
 D971,966 S * 12/2022 Mjelde D15/7
 2001/0021613 A1 9/2001 Fadeley et al.
 2003/0017055 A1 1/2003 Fong
 2004/0009075 A1 1/2004 Meza et al.
 2004/0091373 A1 5/2004 Terry et al.
 2004/0149666 A1 8/2004 Leaverton
 2005/0019154 A1 1/2005 Dial
 2005/0084401 A1 4/2005 Coray et al.
 2005/0095150 A1 5/2005 Leone et al.
 2005/0100455 A1 5/2005 Tuddenham
 2005/0118039 A1 6/2005 Shorten et al.
 2005/0158194 A1 7/2005 Sloan et al.
 2005/0265865 A1 12/2005 Loyd
 2006/0088423 A1 4/2006 Brunet et al.
 2006/0204367 A1 9/2006 Meza et al.
 2007/0028372 A1 2/2007 VanDerWoude et al.
 2007/0114162 A1 5/2007 Stiles et al.
 2007/0114168 A1 5/2007 Hazlehurst
 2007/0154319 A1 7/2007 Stiles, Jr. et al.
 2007/0154320 A1 7/2007 Stiles, Jr. et al.
 2007/0154321 A1 7/2007 Stiles, Jr. et al.
 2007/0154322 A1 7/2007 Stiles, Jr. et al.
 2007/0154323 A1 7/2007 Stiles, Jr. et al.
 2007/0183902 A1 8/2007 Stiles, Jr. et al.
 2008/0079259 A1 4/2008 Parcell
 2008/0086810 A1 4/2008 Le
 2008/0181786 A1 7/2008 Meza et al.
 2008/0181788 A1 7/2008 Meza et al.
 2008/0181790 A1 7/2008 Meza et al.
 2009/0064406 A1 3/2009 Lawyer et al.
 2009/0071746 A1 3/2009 Teisseyre
 2009/0145498 A1 6/2009 Bowman et al.
 2009/0274555 A1 11/2009 Ouwehand
 2009/0320202 A1 12/2009 Lawyer et al.
 2010/0115715 A1 5/2010 Ortiz et al.
 2010/0146696 A1 6/2010 Campbell et al.
 2010/0247332 A1 9/2010 Stiles, Jr. et al.
 2010/0254825 A1 10/2010 Stiles, Jr. et al.
 2011/0076156 A1 3/2011 Stiles, Jr. et al.
 2011/0280744 A1 11/2011 Ortiz et al.
 2013/0011268 A1 1/2013 Miller et al.
 2013/0115071 A1 5/2013 Miller et al.
 2013/0129536 A1 5/2013 Robol et al.
 2013/0146525 A1 6/2013 Parcell et al.
 2014/0359964 A1 12/2014 Schlapkohl
 2015/0063987 A1 3/2015 Herger
 2015/0167673 A1 6/2015 Saccoccio et al.
 2018/0126570 A1 5/2018 Werner
 2019/0219064 A1 7/2019 Saccoccio et al.
 2019/0271320 A1 9/2019 Afshar
 2020/0124056 A1 4/2020 Wu et al.

FOREIGN PATENT DOCUMENTS

EP 2868928 5/2015
 JP 0634198 12/1994
 JP 2600384 2/1995
 JP 2005146981 6/2005
 JP 2017040206 2/2017
 WO WO 0068575 11/2000

OTHER PUBLICATIONS

<https://www.hayward-pool.com/shop/en/commerciai/res-pumps>, 3 pages.
<https://www.pentair.com/en-us/products/residential/pool-spa-equipment/pool-pumps.html>, 9 pages.
<https://www.jandy.com/en/products/pool-pumps>, 6 pages.
http://www.waterwayplastics.com/wp-content/uploads/807-1021.0112-Econo-Flo-Pumps-Brochure_pgs_3web.pdf, 6 pages.

(56)

References Cited

OTHER PUBLICATIONS

Pentair, IntelliFloXF Variable Speed Pool and Spa Pump, (site visited Apr. 14, 2021), pentair.com, URL:<https://www.pentair.com/en-us/products/residential/pool-spa-equipment/pool-pumps/intellifloxf_variablespeedpump.html> (Year: 2021).

Jandy, EPUMP Pump, (site visited Apr. 14, 2021), Jandy.com, URL:<<https://www.jandy.com/en/commercial/pumps/epump>> (Year: 2021).

* cited by examiner

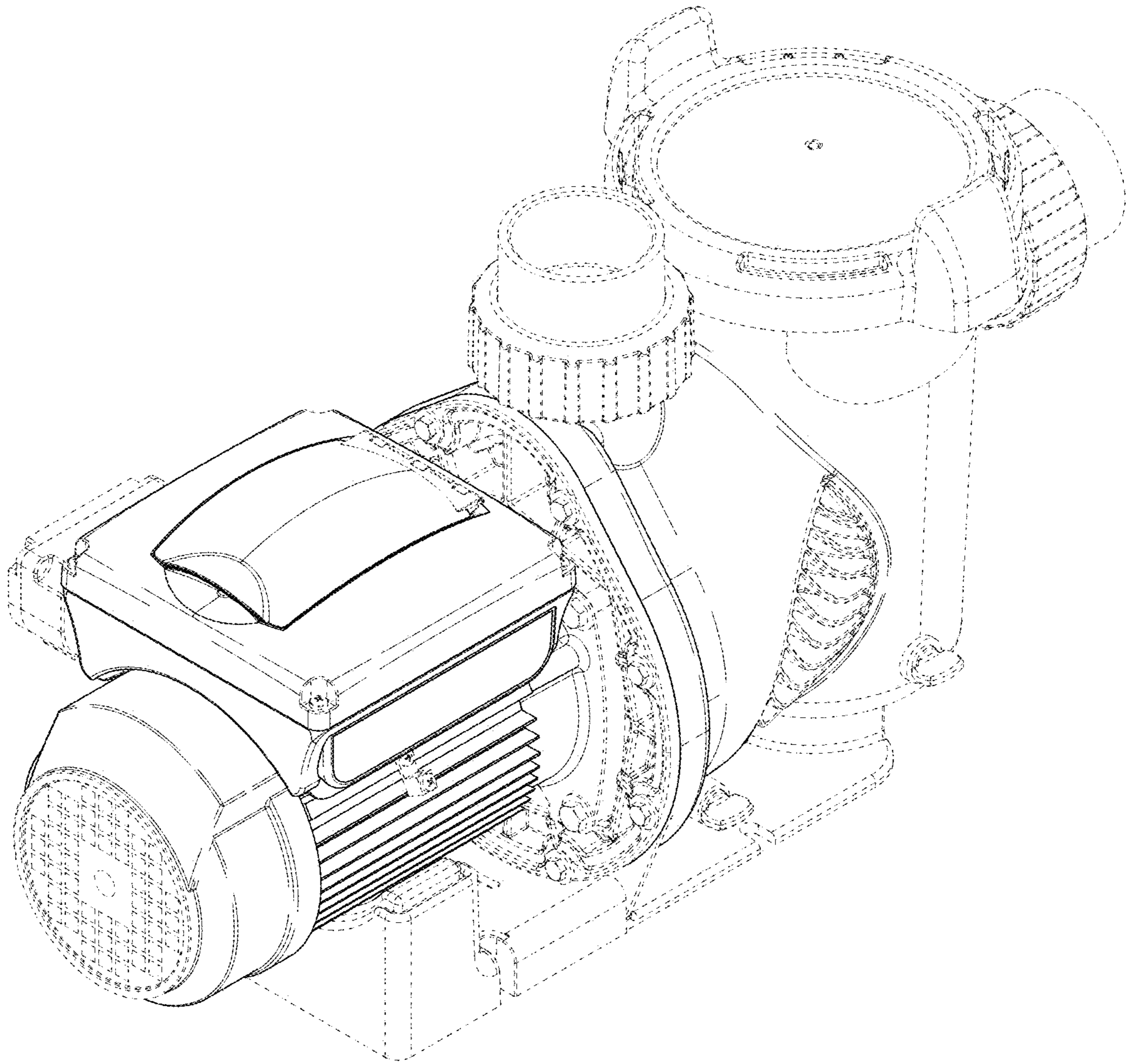


Fig. 1

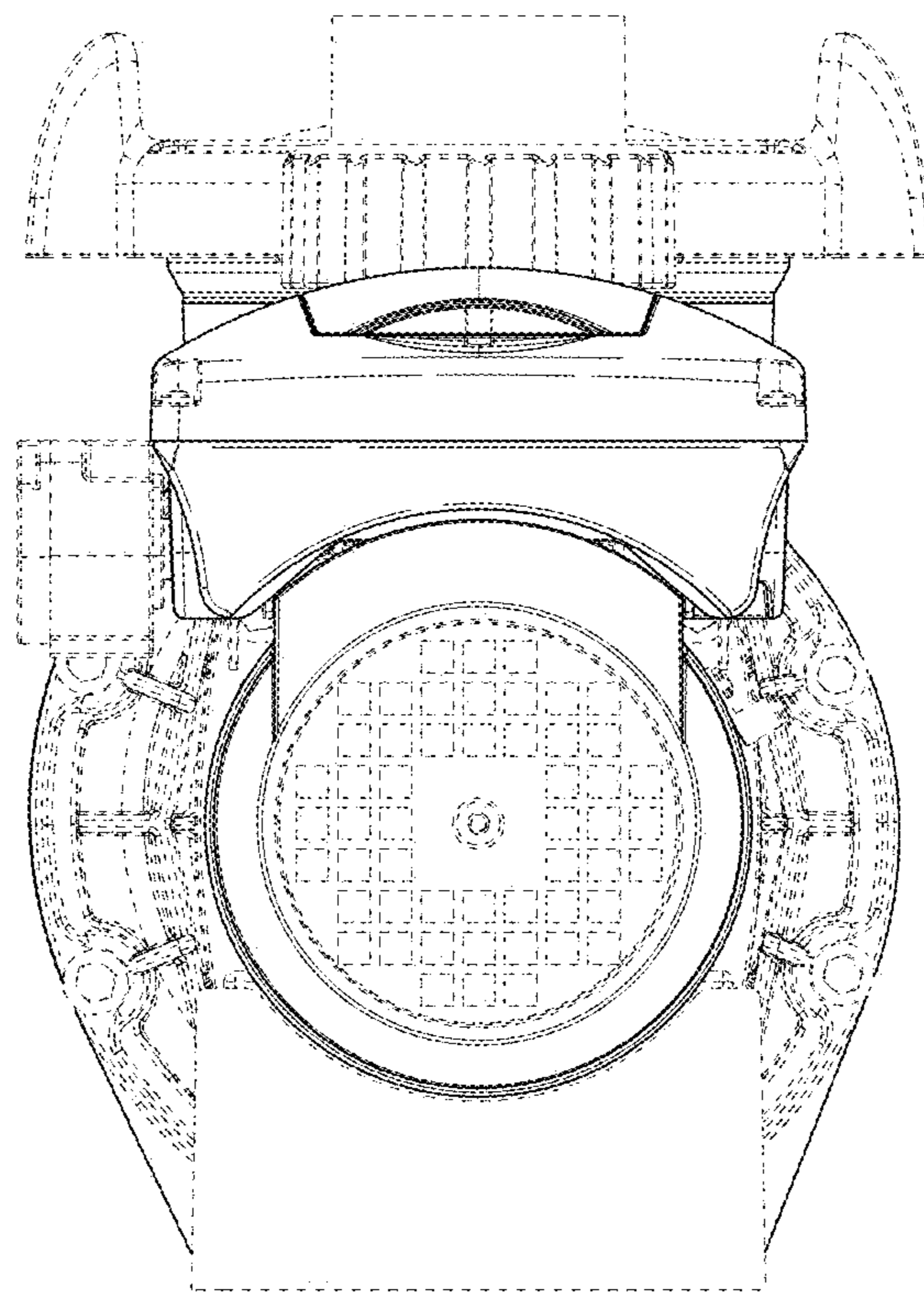


Fig. 2

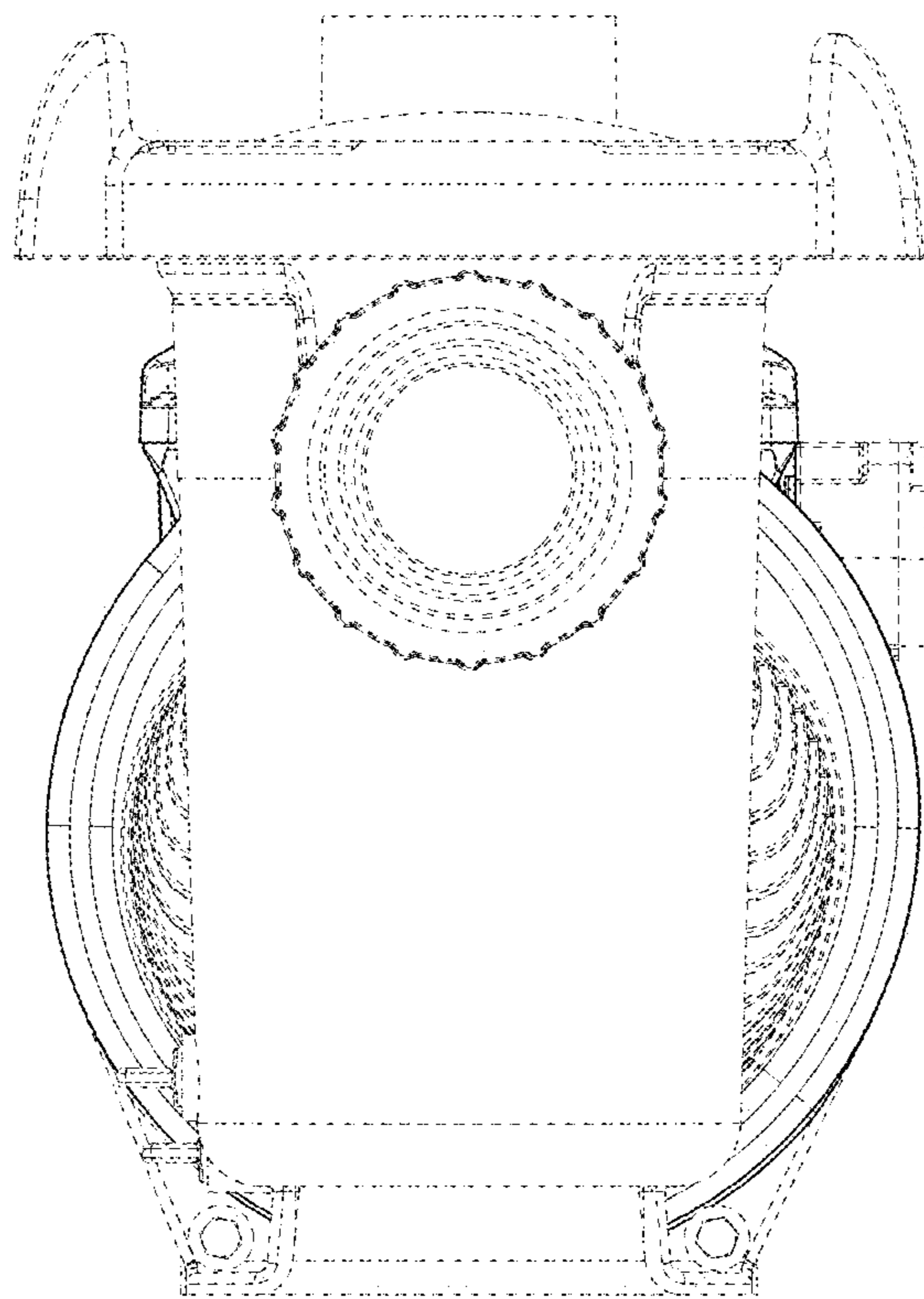


Fig. 3

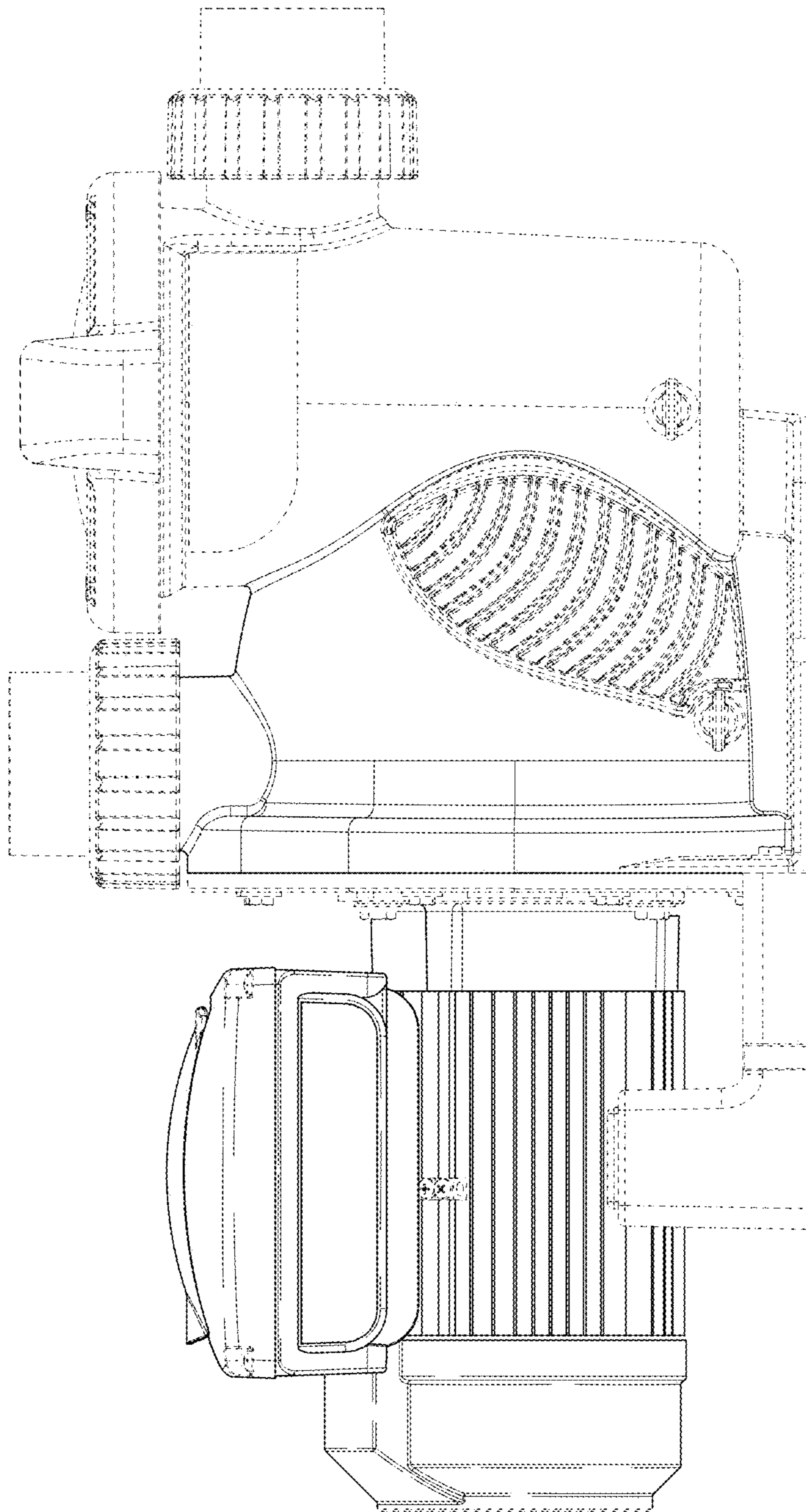


Fig. 4

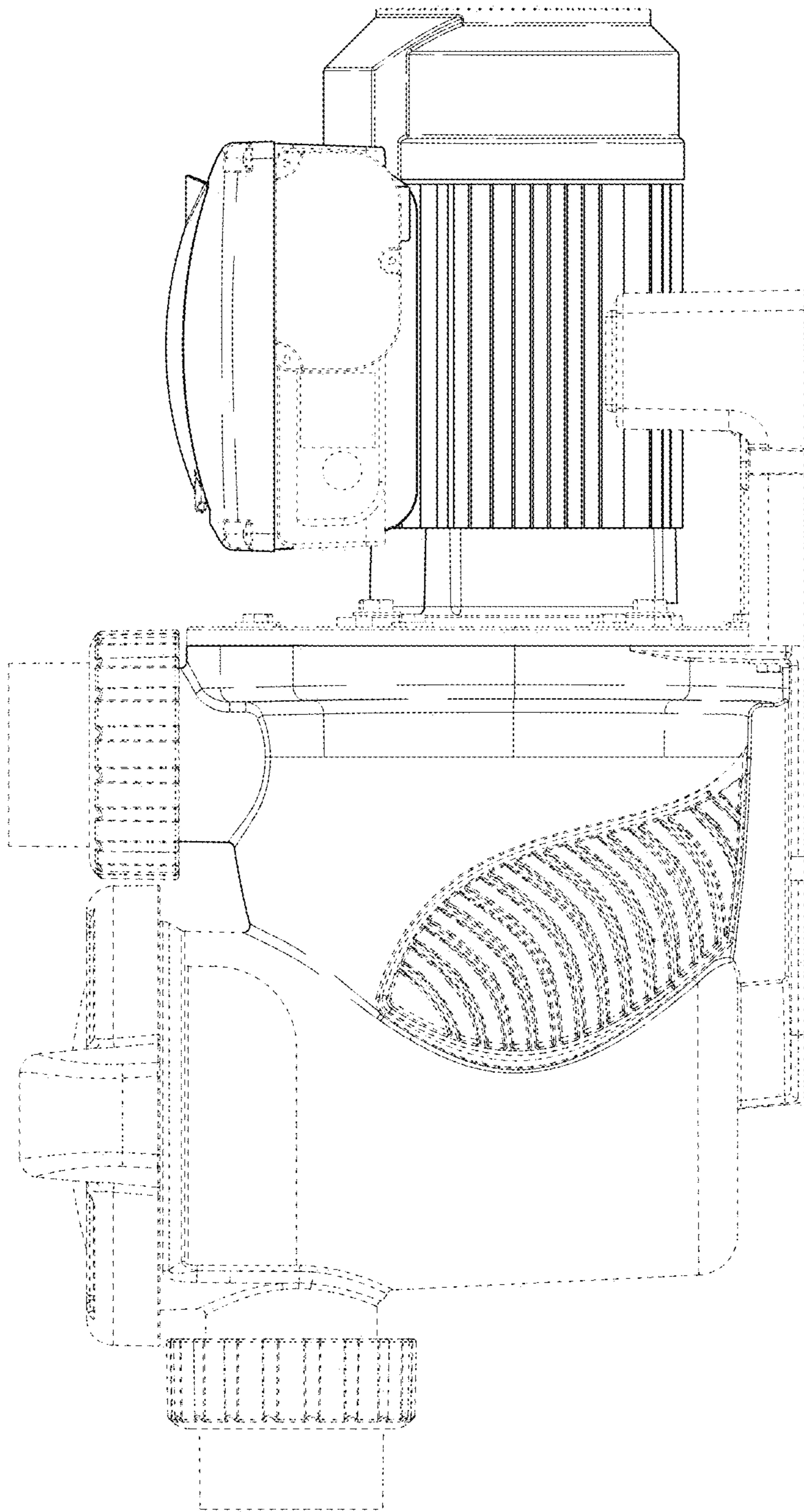


Fig. 5

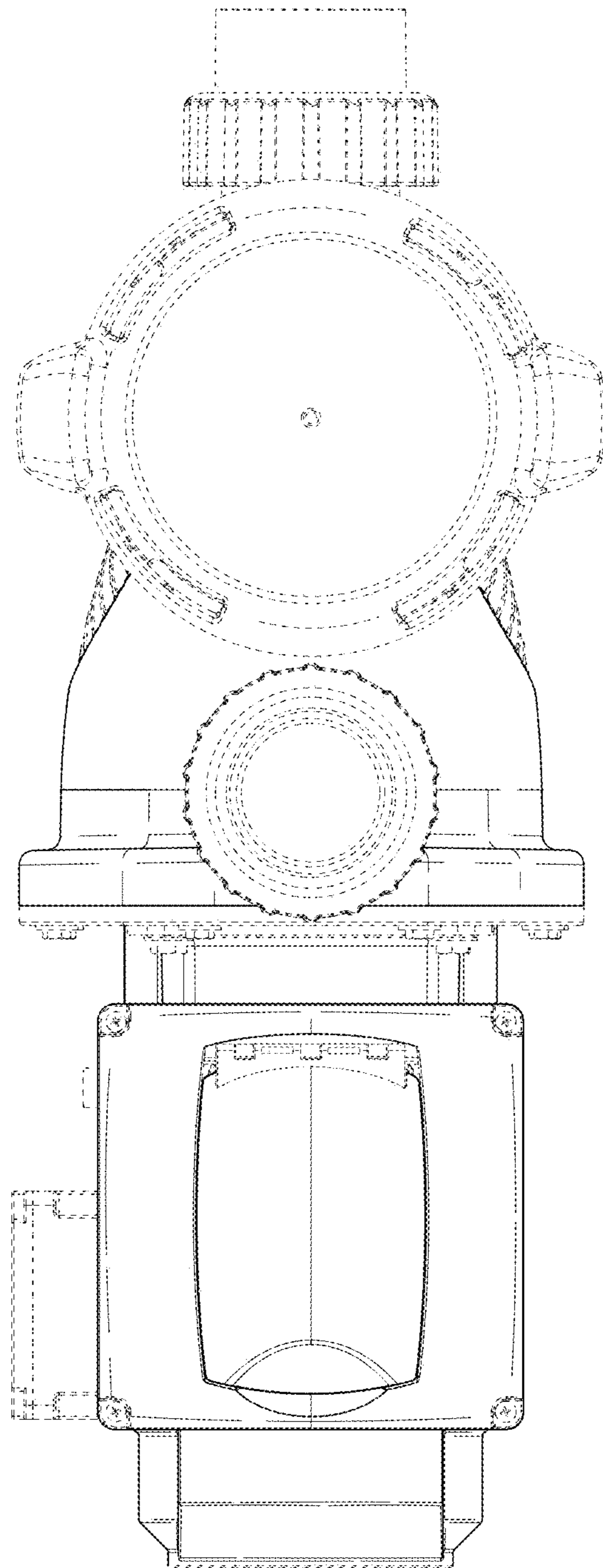


Fig. 6

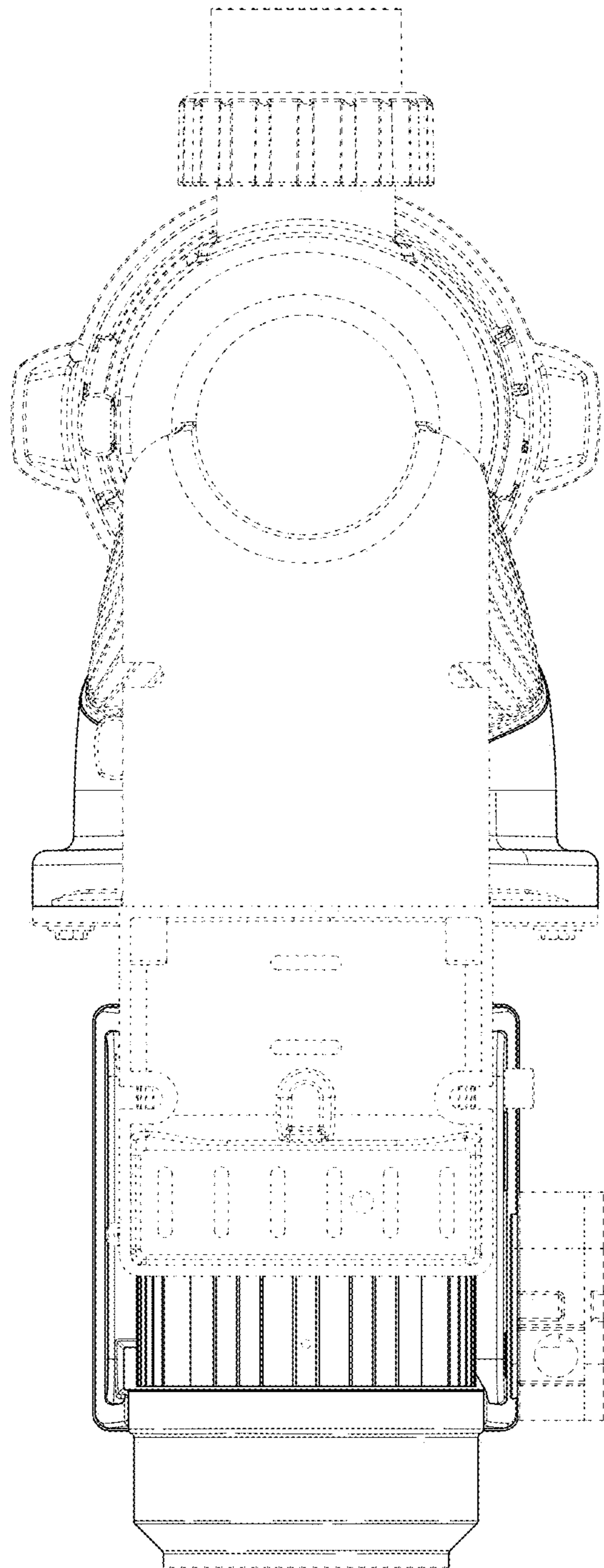


Fig. 7