



US00D986284S

(12) **United States Design Patent**  
**Luo et al.**

(10) **Patent No.:** **US D986,284 S**

(45) **Date of Patent:** **\*\* \*May 16, 2023**

(54) **GENERATOR MOTOR COVER PANEL**

(71) Applicant: **LUTIAN MACHINERY CO., LTD.,**  
Zhejiang (CN)

(72) Inventors: **Changguo Luo, Zhejiang (CN);**  
**Yongjun Cai, Zhejiang (CN)**

(73) Assignee: **LUTIAN MACHINERY CO., LTD,**  
Zhejiang (CN)

(\*) Notice: This patent is subject to a terminal disclaimer.

(\*\*) Term: **15 Years**

(21) Appl. No.: **29/615,198**

(22) Filed: **Aug. 27, 2017**

(30) **Foreign Application Priority Data**

Apr. 14, 2017 (CN) ..... 201730124183.2

(51) **LOC (14) Cl.** ..... **15-02**

(52) **U.S. Cl.**  
USPC ..... **D15/5**

(58) **Field of Classification Search**  
USPC ..... D15/1, 4-6, 14; D13/112, 122  
CPC . F02B 63/04; F02B 63/048; F01P 5/02; F01P  
1/02  
See application file for complete search history.

(56) **References Cited**

**U.S. PATENT DOCUMENTS**

D276,332 S \* 11/1984 Wilsgaard ..... D12/184  
D494,904 S \* 8/2004 Dishong ..... D12/190  
D503,138 S \* 3/2005 Metros ..... D12/196

D503,914 S \* 4/2005 Metros ..... D12/196  
D556,214 S \* 11/2007 Fretwell ..... D15/5  
D597,006 S \* 7/2009 Golden ..... D12/184  
D631,486 S \* 1/2011 Yamagishi ..... D15/4  
D775,134 S \* 12/2016 Kuo ..... D14/441  
D869,527 S \* 12/2019 Buehring ..... D15/145  
D887,933 S \* 6/2020 Gillam ..... D12/196  
D903,566 S \* 12/2020 Grewer ..... D12/196  
D950,448 S \* 5/2022 Ruiz ..... D12/196

**OTHER PUBLICATIONS**

Lutian, LS196, (site visited Dec. 1, 2022), Chinalutian.com Website, URL:<<https://www.chinalutian.com/product/zh/52.aspx>> (Year: 2022).\*

\* cited by examiner

*Primary Examiner* — Calvin E Vansant

*Assistant Examiner* — Mark T. Philipps

(74) *Attorney, Agent, or Firm* — Global IP Services;  
Tianhua Gu

(57) **CLAIM**

The ornamental design for a generator motor cover panel cover, as shown as described.

**DESCRIPTION**

FIG. 1 is a frontal view of the generator motor cover panel showing my new design;

FIG. 2 is a rear view of thereof;

FIG. 3 is a left side view of thereof;

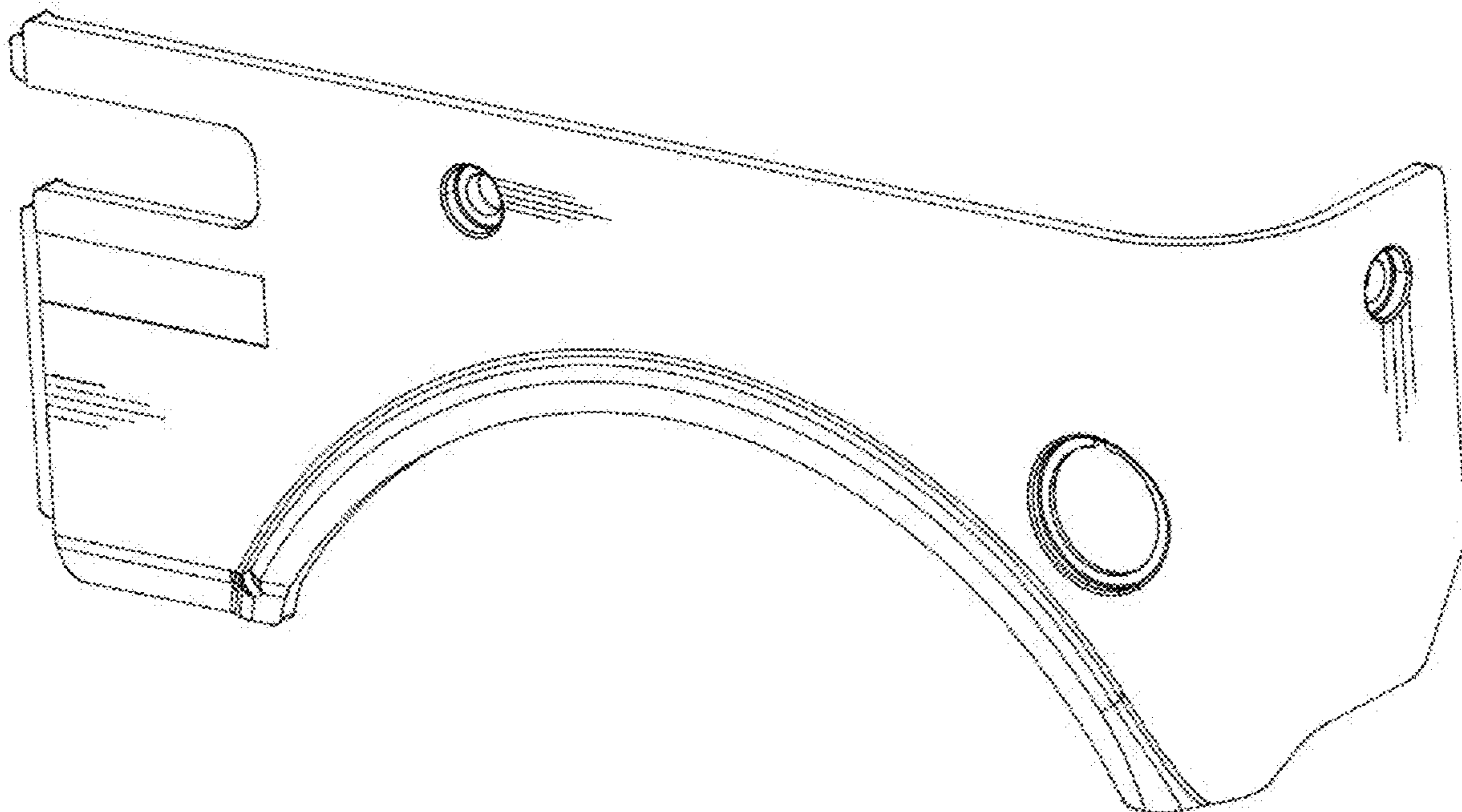
FIG. 4 is a right side view of thereof;

FIG. 5 is a top plan view of thereof;

FIG. 6 is a bottom plan view of thereof; and,

FIG. 7 is a perspective view thereof.

**1 Claim, 4 Drawing Sheets**



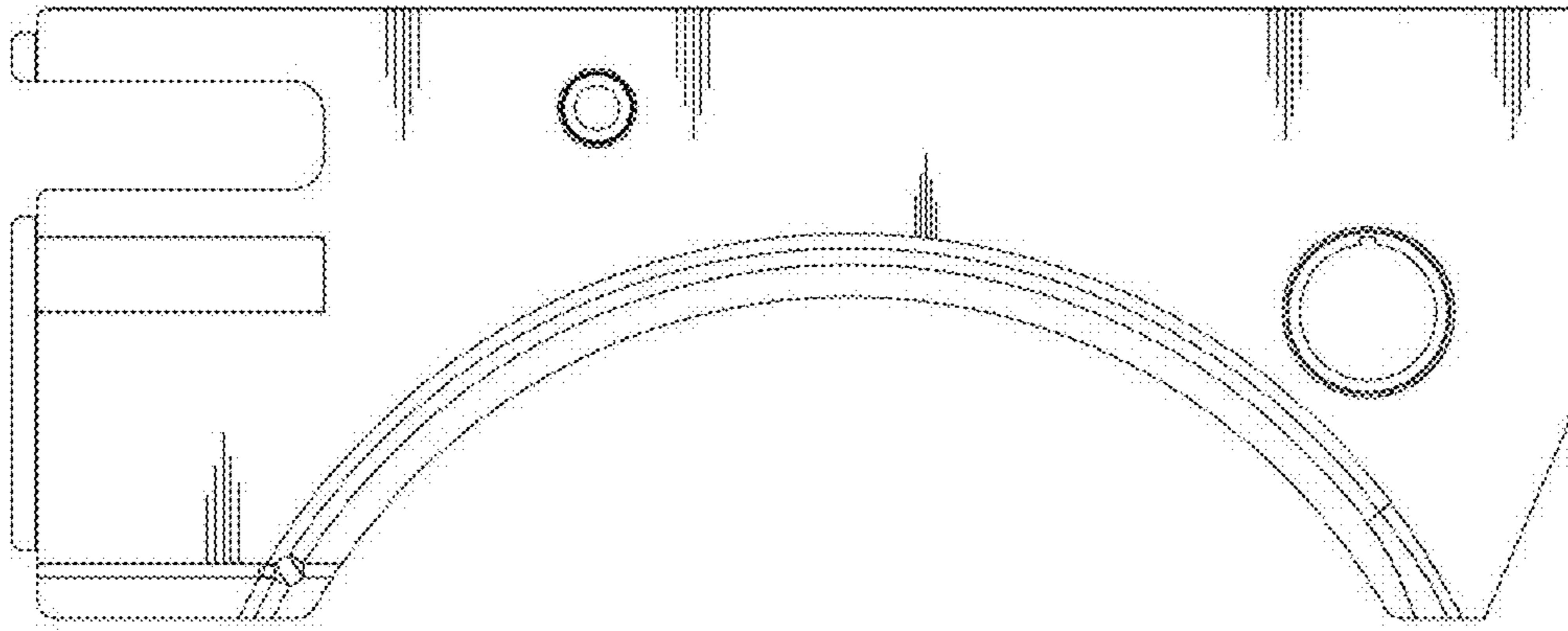


Fig. 1

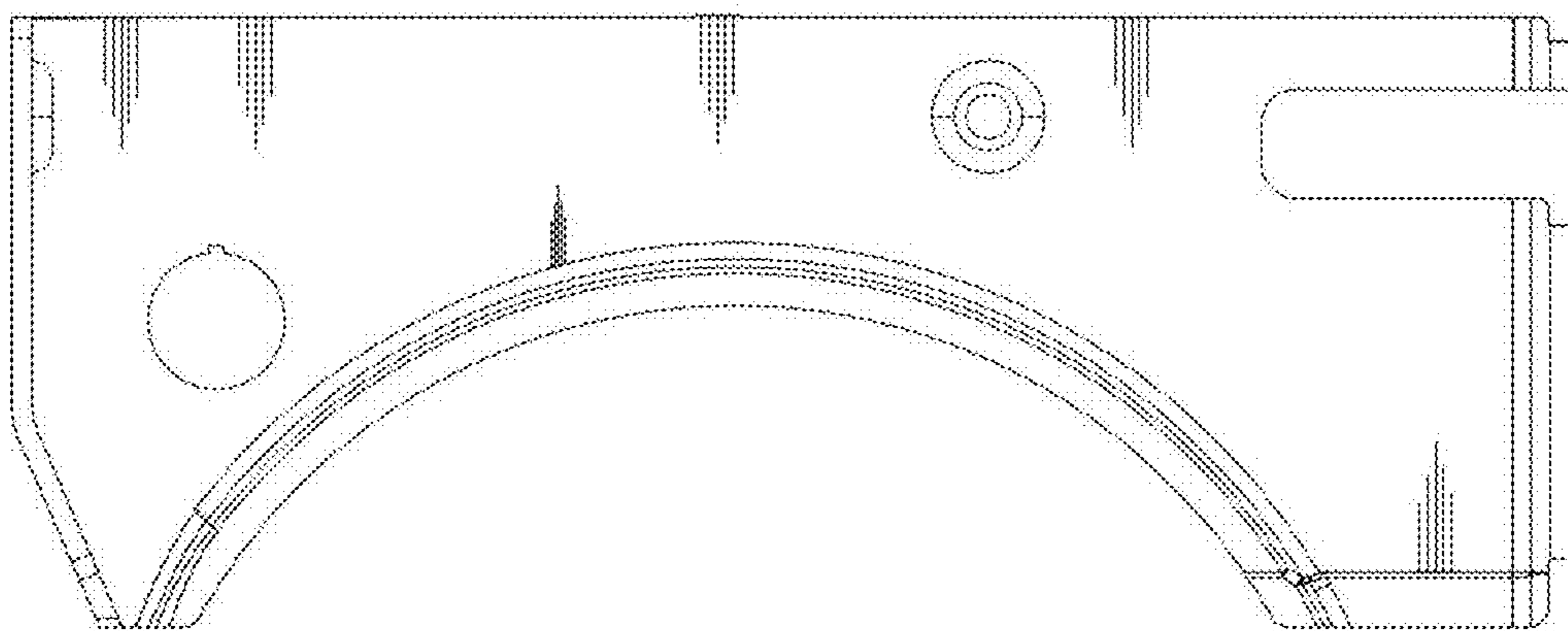


Fig. 2

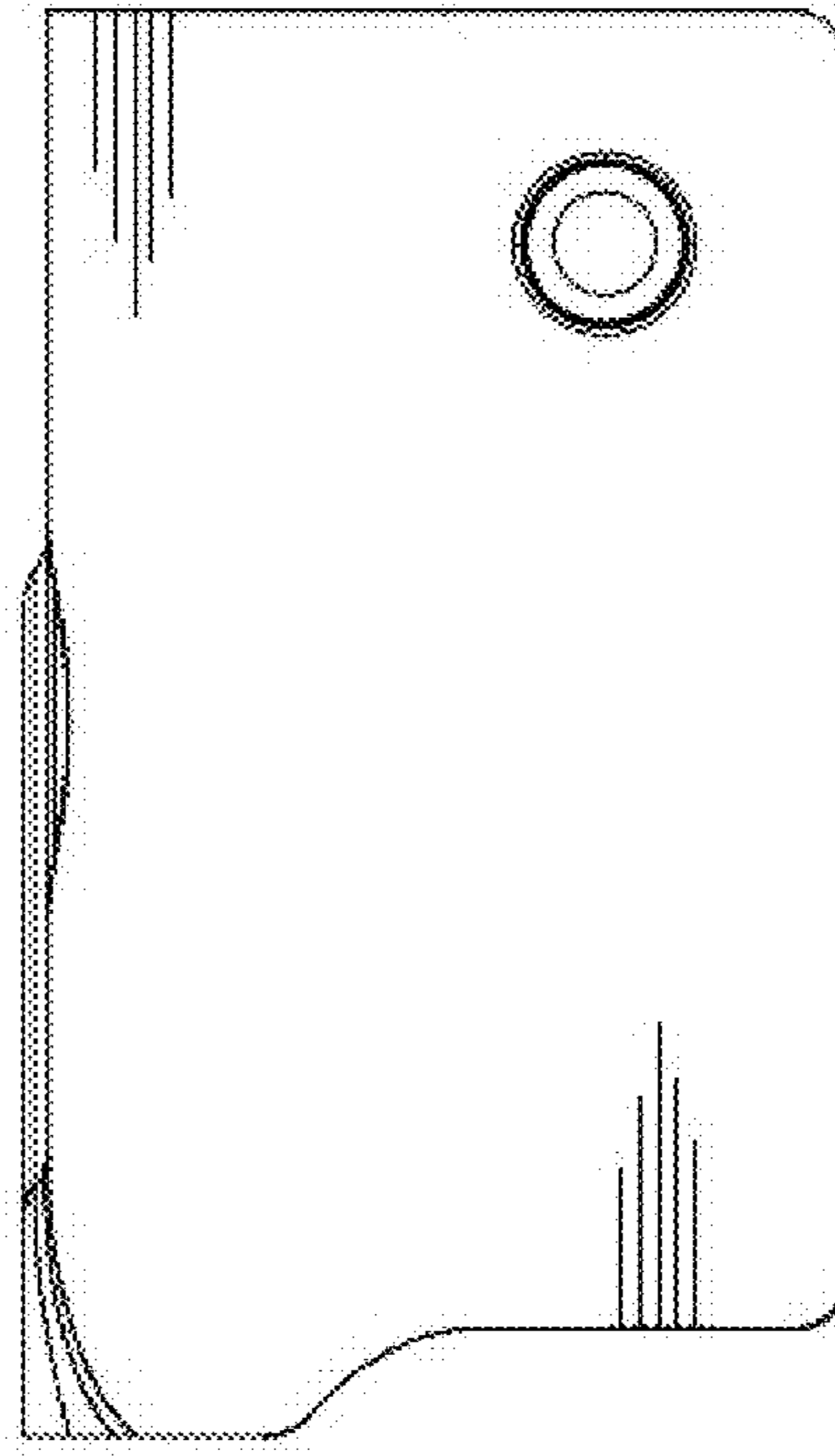


Fig. 3

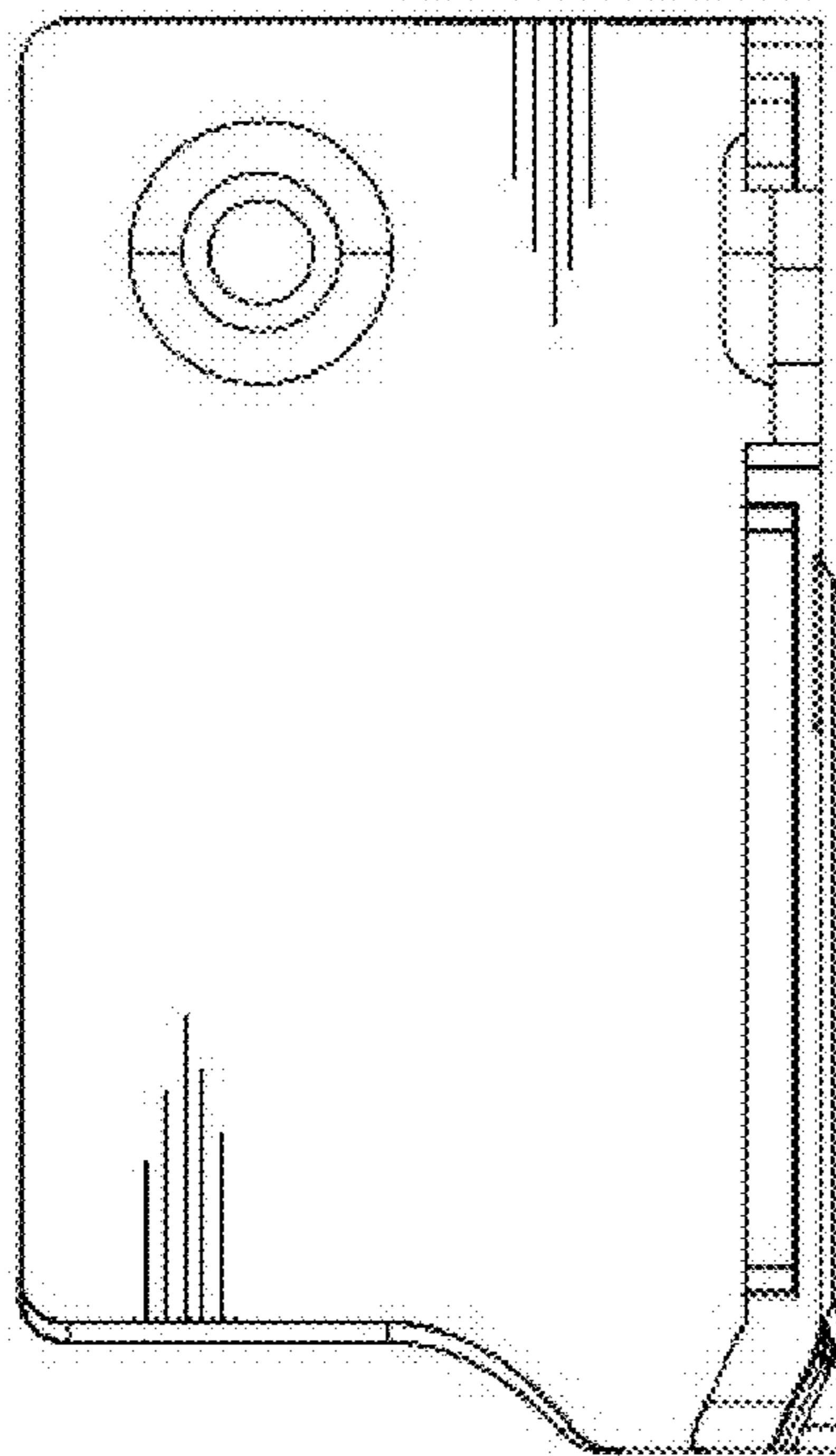


Fig. 4

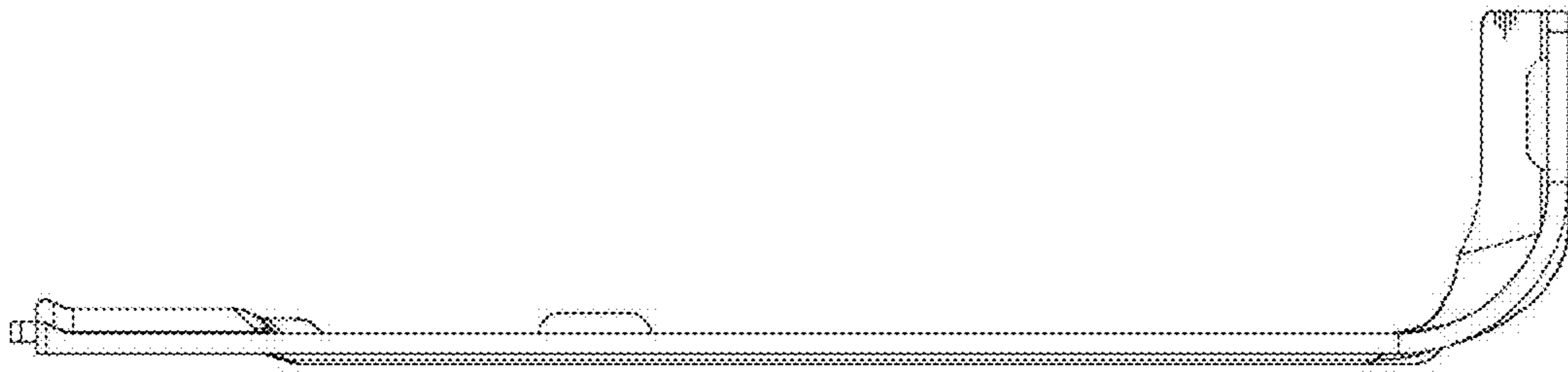


Fig. 5



Fig. 6

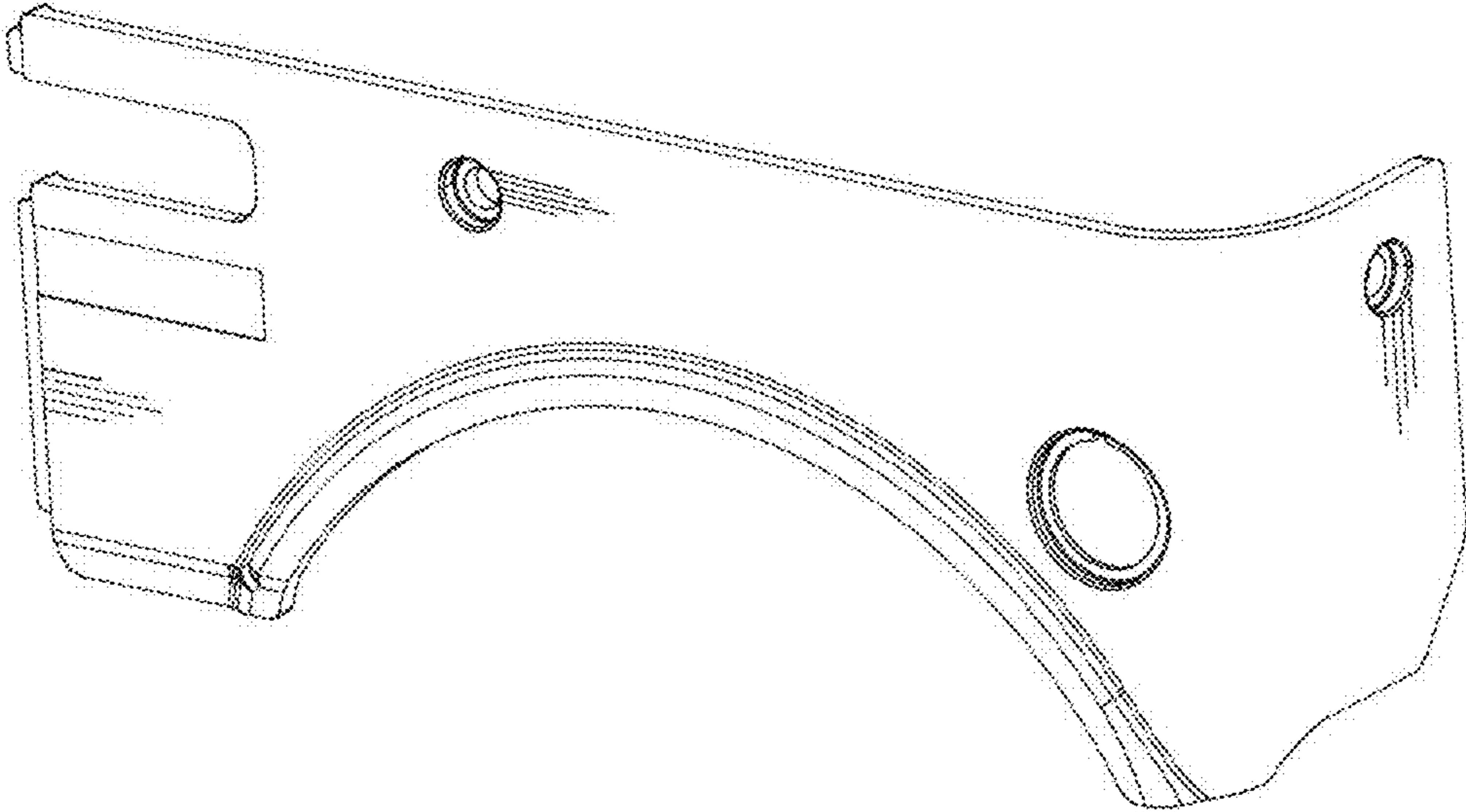


Fig. 7