



US00D986283S

(12) **United States Design Patent** (10) **Patent No.:** **US D986,283 S**
Sturm et al. (45) **Date of Patent:** **** May 16, 2023**

(54) **ELECTRIC MOTOR** 5,883,449 A * 3/1999 Mehta H02K 5/20
310/60 R
(71) Applicant: **ebm-papst Mulfingen GmbH & Co.** D791,078 S * 7/2017 Sturm D13/112
KG, Mulfingen (DE) D881,128 S * 4/2020 Fries D13/122
D883,928 S * 5/2020 Lust D13/112
D914,602 S * 3/2021 Van Steenburg D13/112
(72) Inventors: **Michael Sturm**, Bad Mergentheim-Rot 2016/0204661 A1* 7/2016 DeFilippis H02K 5/04
(DE); **Astrid Fries**, Marbach (DE); 310/215
Alexander Lust, Obersulm (DE) 2016/0218581 A1* 7/2016 Hill H02K 1/30
2017/0047792 A1* 2/2017 Klassen H02K 1/274
2017/0338705 A1* 11/2017 Klassen H02K 1/32
(73) Assignee: **ebm-papst Mulfingen GmbH & Co.** 2018/0245596 A1* 8/2018 Van Steenburg ... F04D 13/0666
KG, Mulfingen (DE) 2018/0323689 A1* 11/2018 Schuler H02K 3/28
2019/0305628 A1* 10/2019 Yamazaki H02K 1/182
(**) Term: **15 Years** 2020/0403478 A1* 12/2020 Lu H02K 5/10
2021/0226488 A1* 7/2021 Pennington, III H02P 7/29

(21) Appl. No.: **29/733,355**

(22) Filed: **May 1, 2020**

(30) **Foreign Application Priority Data**

Nov. 13, 2019 (EM) 007224514-0002

(51) **LOC (14) Cl.** **15-01**

(52) **U.S. Cl.**
USPC **D15/5; D13/112**

(58) **Field of Classification Search**
USPC D15/1, 4, 5, 6; D13/112, 113, 114, 121,
D13/122, 118
CPC H02K 5/04; H02K 5/22; H02K 11/049;
H02K 1/2766; H02K 21/16; H02K 29/03;
H02P 6/06
See application file for complete search history.

(56) **References Cited**

U.S. PATENT DOCUMENTS

D401,553 S * 11/1998 Pearce D13/112
D401,687 S * 11/1998 Pearce D23/411

* cited by examiner

Primary Examiner — Ania Aman
(74) *Attorney, Agent, or Firm* — Harness, Dickey & Pierce, P.L.C.

(57) **CLAIM**

The ornamental design for an electric motor, as shown and described.

DESCRIPTION

FIG. 1 is a top perspective view according to the design.
FIG. 2 is a bottom perspective view.
FIG. 3 is a side elevation view.
FIG. 4 is a top plan view.
FIG. 5 is a rear elevation view.
FIG. 6 is a front elevation view; and,
FIG. 7 is a bottom plan view.
The broken line shown in the drawings are for the purpose of illustrating portions of the article and form no part of the claimed design.

1 Claim, 7 Drawing Sheets

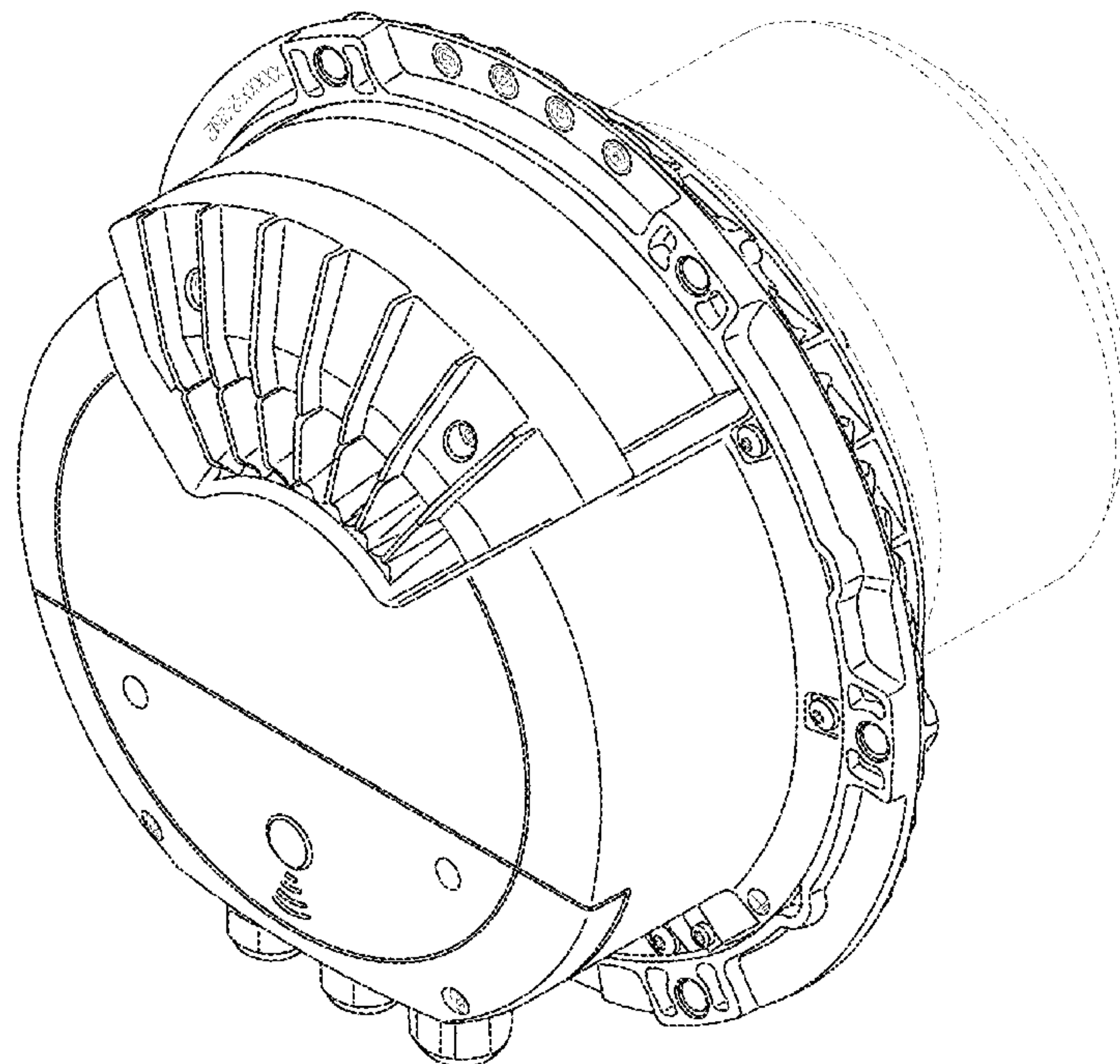
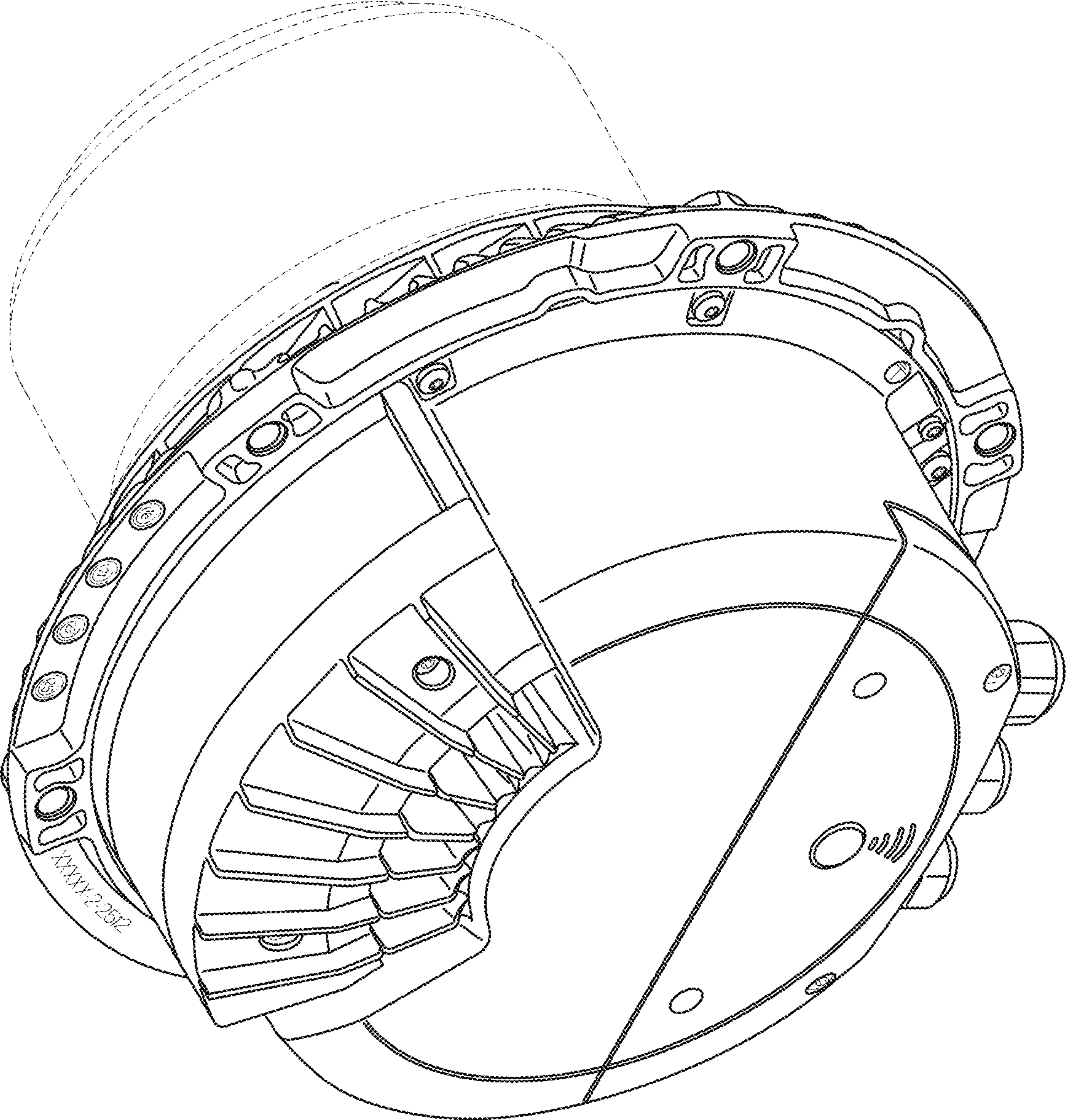


FIG. 1



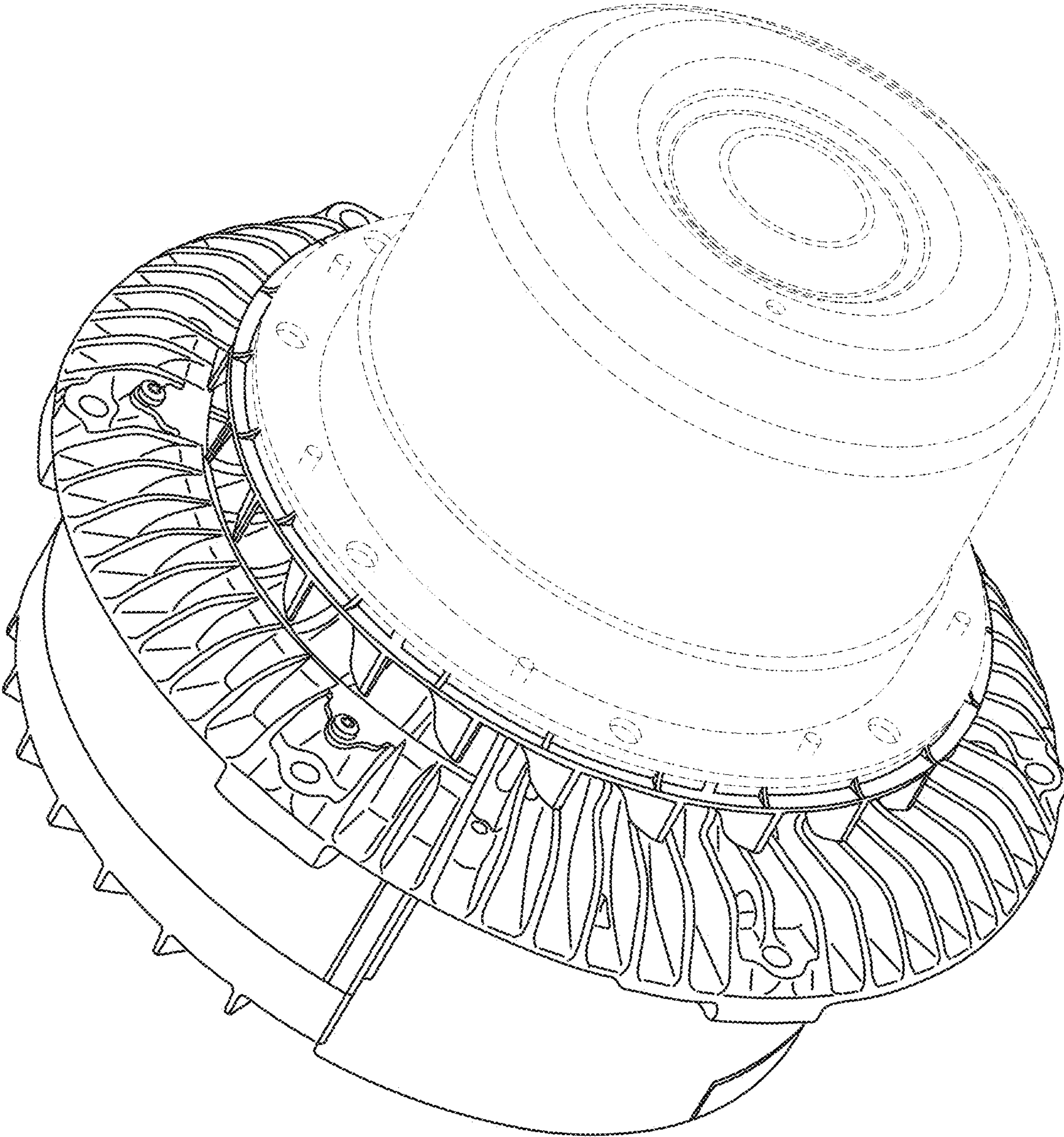


FIG. 2

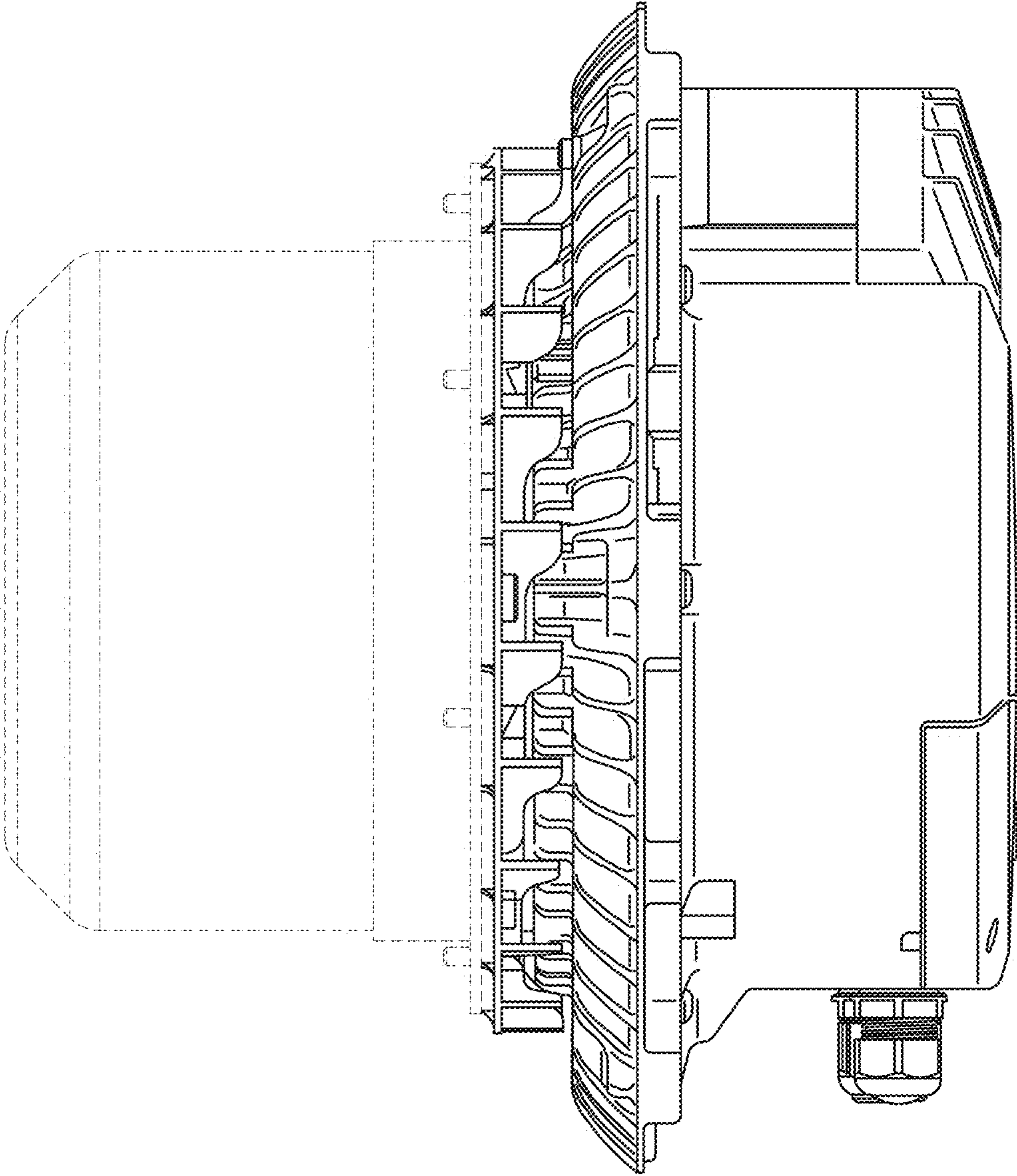


FIG. 3

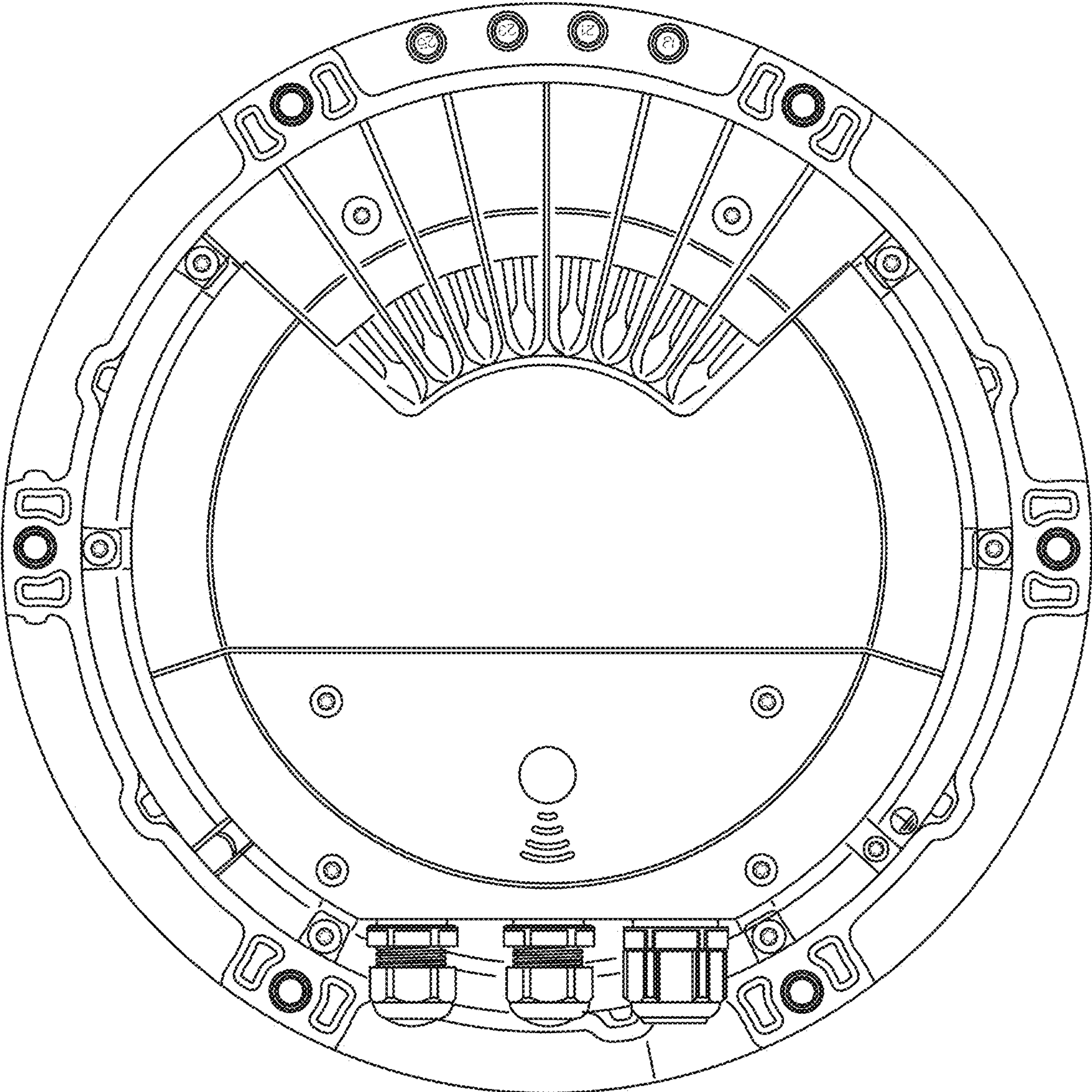


FIG. 4

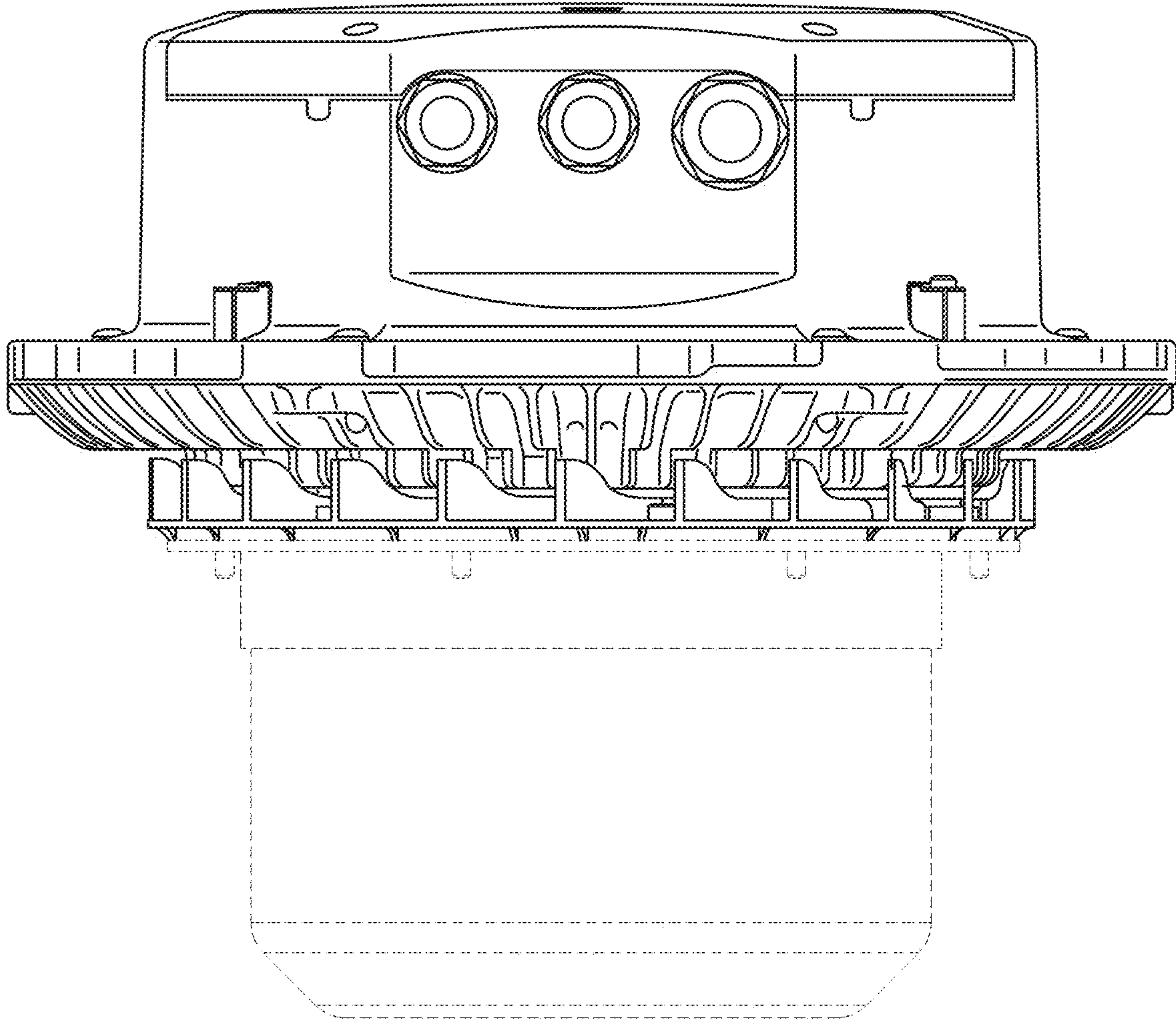


FIG. 5

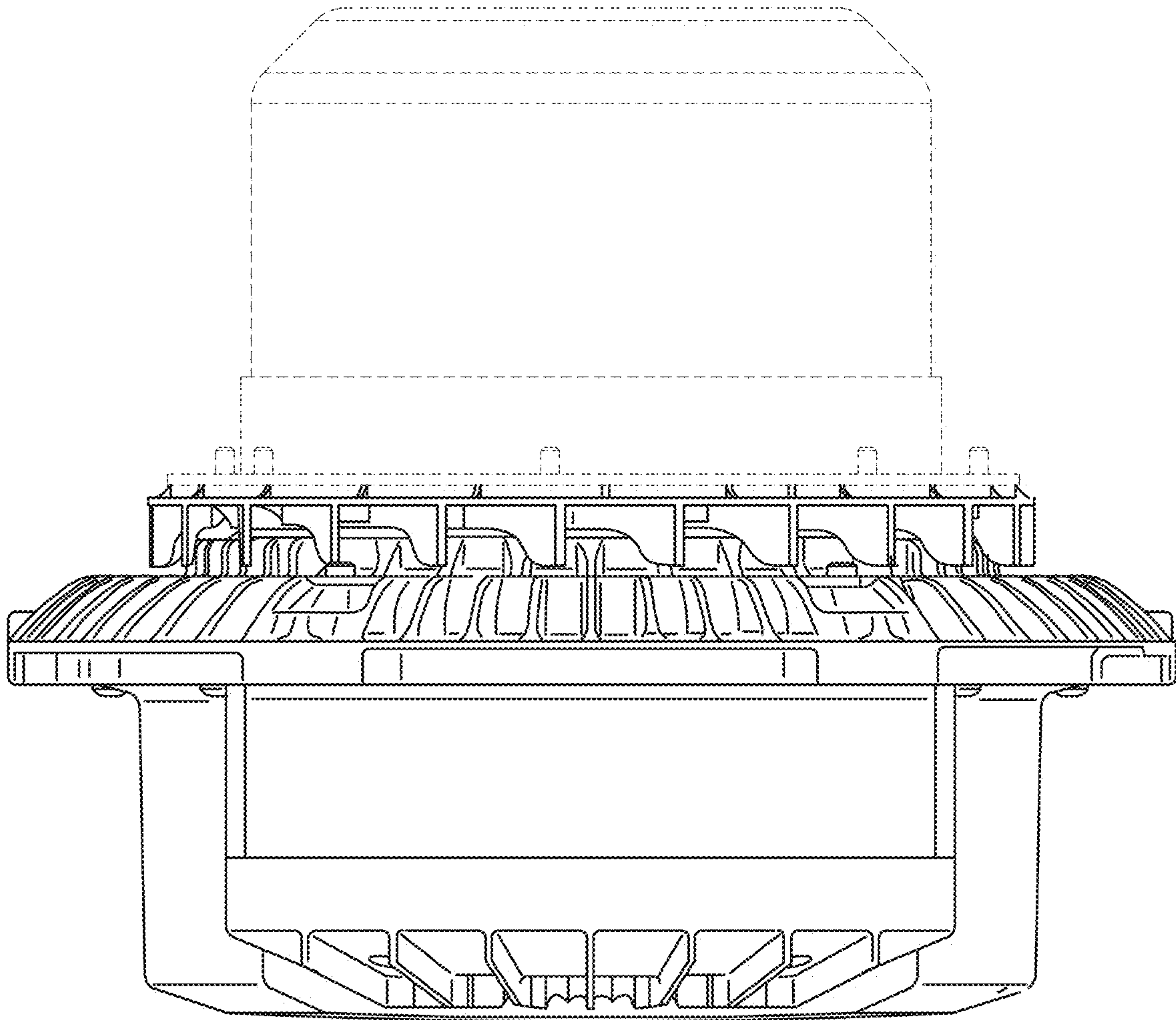


FIG. 6

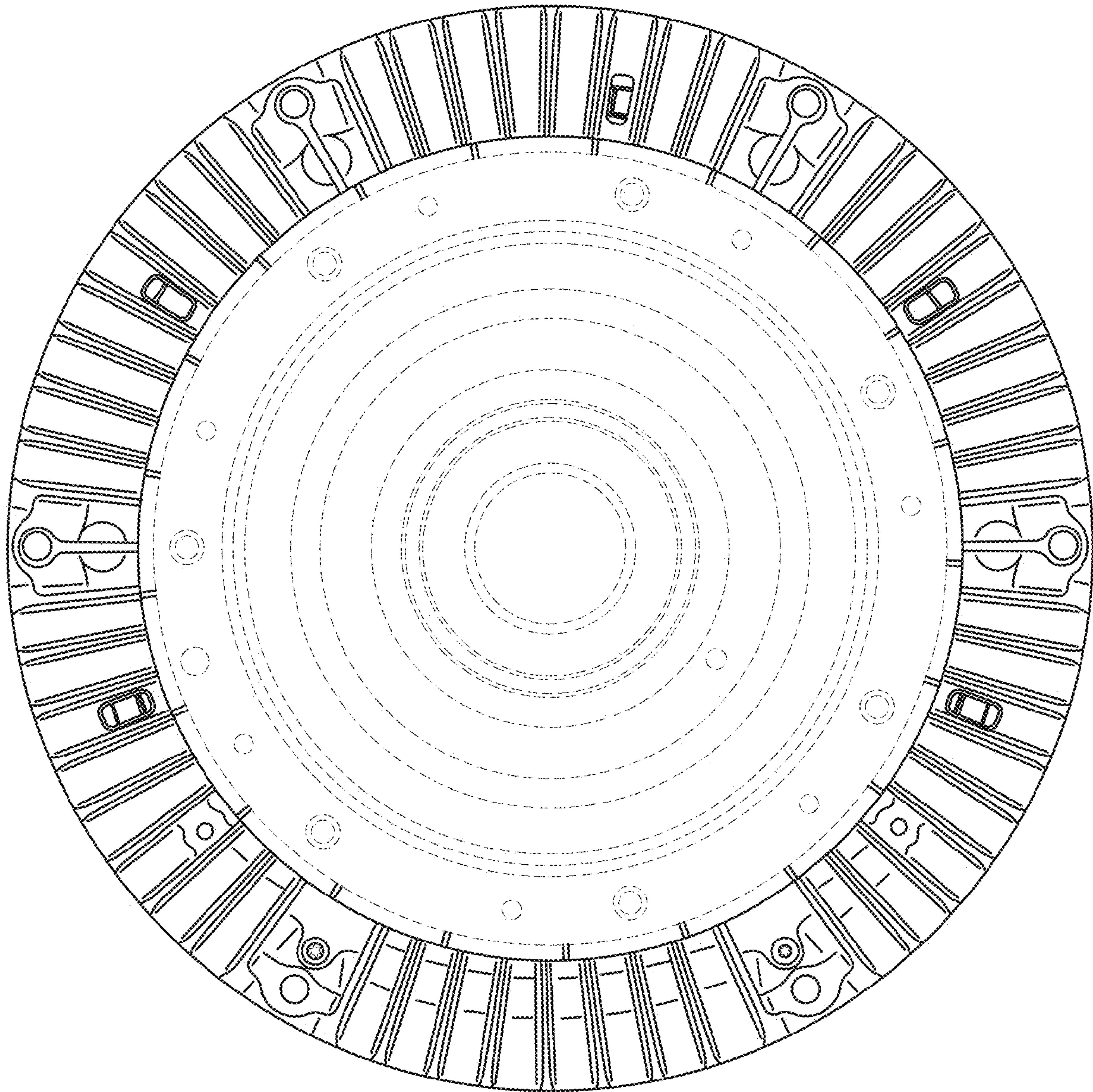


FIG. 7