



US00D986254S

(12) **United States Design Patent** (10) **Patent No.:** **US D986,254 S**
Shithil et al. (45) **Date of Patent:** **** May 16, 2023**

(54) **SUPPORT PAD**

(71) Applicants: **Mir Shithil**, Atlantic City, NJ (US);
Walter Gordillo-Cruz, Norwalk, CT
(US)

(72) Inventors: **Mir Shithil**, Atlantic City, NJ (US);
Walter Gordillo-Cruz, Norwalk, CT
(US)

(**) Term: **15 Years**

(21) Appl. No.: **29/775,630**

(22) Filed: **Mar. 24, 2021**

(51) **LOC (14) Cl.** **06-06**

(52) **U.S. Cl.**
USPC **D14/460**

(58) **Field of Classification Search**
USPC D14/432, 457, 458, 459, 460, 461;
D24/107, 171, 188, 190
CPC A47B 2021/0307; A47B 2021/0321; A47B
2021/0378; A47B 21/00; A47B 21/0371;
A47G 9/1063; D32B 27/00; D32B 3/266
See application file for complete search history.

(56) **References Cited**

U.S. PATENT DOCUMENTS

D376,177 S *	12/1996	Springer	D14/458
D376,791 S *	12/1996	Schreiner	D14/458
D480,922 S *	10/2003	Bulcher	D7/553.1
6,887,005 B2	5/2005	Kim		
6,963,486 B2	11/2005	Kwitek		
D610,853 S *	3/2010	Straub	D6/601
D642,846 S *	8/2011	Parish	B62J 1/00
				D6/601
D670,090 S *	11/2012	Miucci	D6/349
D747,323 S *	1/2016	Luciew	D14/460
D802,599 S *	11/2017	Magargee	D14/458

D867,372 S *	11/2019	Luciew	D14/459
2008/0142672 A1	6/2008	Tran		
2015/0108292 A1*	4/2015	Baker	A45D 29/00
				248/118

FOREIGN PATENT DOCUMENTS

JP D1496673 * 4/2022

OTHER PUBLICATIONS

Wavepads—Innovations and More, No Announcement Date[online],
retrieved on Mar. 7, 2023, retrieved from internet, [https://
innovationsandmore.com/ms-2/](https://innovationsandmore.com/ms-2/) (Year: NA).*

(Continued)

Primary Examiner — Barbara Fox
Assistant Examiner — Noah Perez

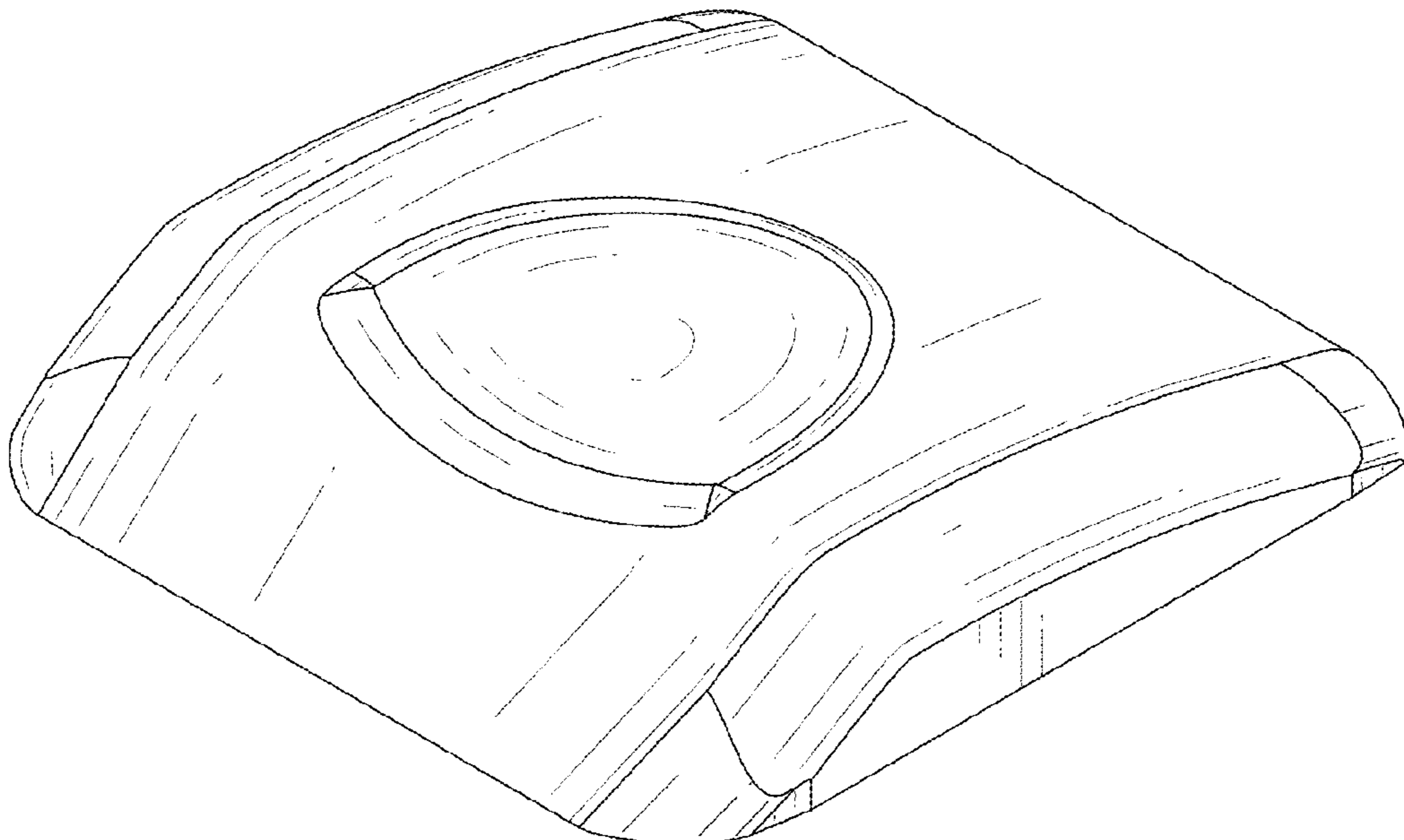
(57) **CLAIM**

The ornamental design for a support pad, as shown and described.

DESCRIPTION

FIG. 1 is a top-front-left perspective view of a support pad showing our new design;
FIG. 2 is a bottom-rear-right perspective view thereof;
FIG. 3 is a top plan view thereof;
FIG. 4 is a bottom plan view thereof;
FIG. 5 is a left-side elevational view thereof, the right-side elevational view being mirrored thereto;
FIG. 6 is a front elevational view thereof;
FIG. 7 is a rear elevational view thereof; and,
FIG. 8 is top-front-left perspective view thereof, wherein the support pad is shown coupled to an exemplary second iteration of the present invention with an exemplary clamp. The dashed line showing the exemplary clamp and pad in FIG. 8 is included for the purpose of illustrating environmental structure and forms no part of the claimed design.

1 Claim, 8 Drawing Sheets



(56)

References Cited

OTHER PUBLICATIONS

Aquues Solutions—Amazon, Announced on Dec. 17, 2020 [online], retrieved on Mar. 7, 2023, retrieved from internet, <https://www.amazon.com/WavePads-AQUUES-Solutions-Non-Slip-Ergonomic/dp/B08QZ6KCRG?th=1> (Year: 2020).*

Goldtouch Gel Wrist Rests | Black, <https://shop.goldtouch.com/products/goldtouch-gel-wrist-rests-black/>.

Grifiti Large Slim Palm Pads Notebook Wrist Rests with Tacky Silicone Reposition for Hard and Sharp MacBooks and Laptops, <https://www.amazon.com/GRIFITI-Notebook-Silicone-Reposition-Travelling/dp/B00CMJ1S8A/>.

* cited by examiner

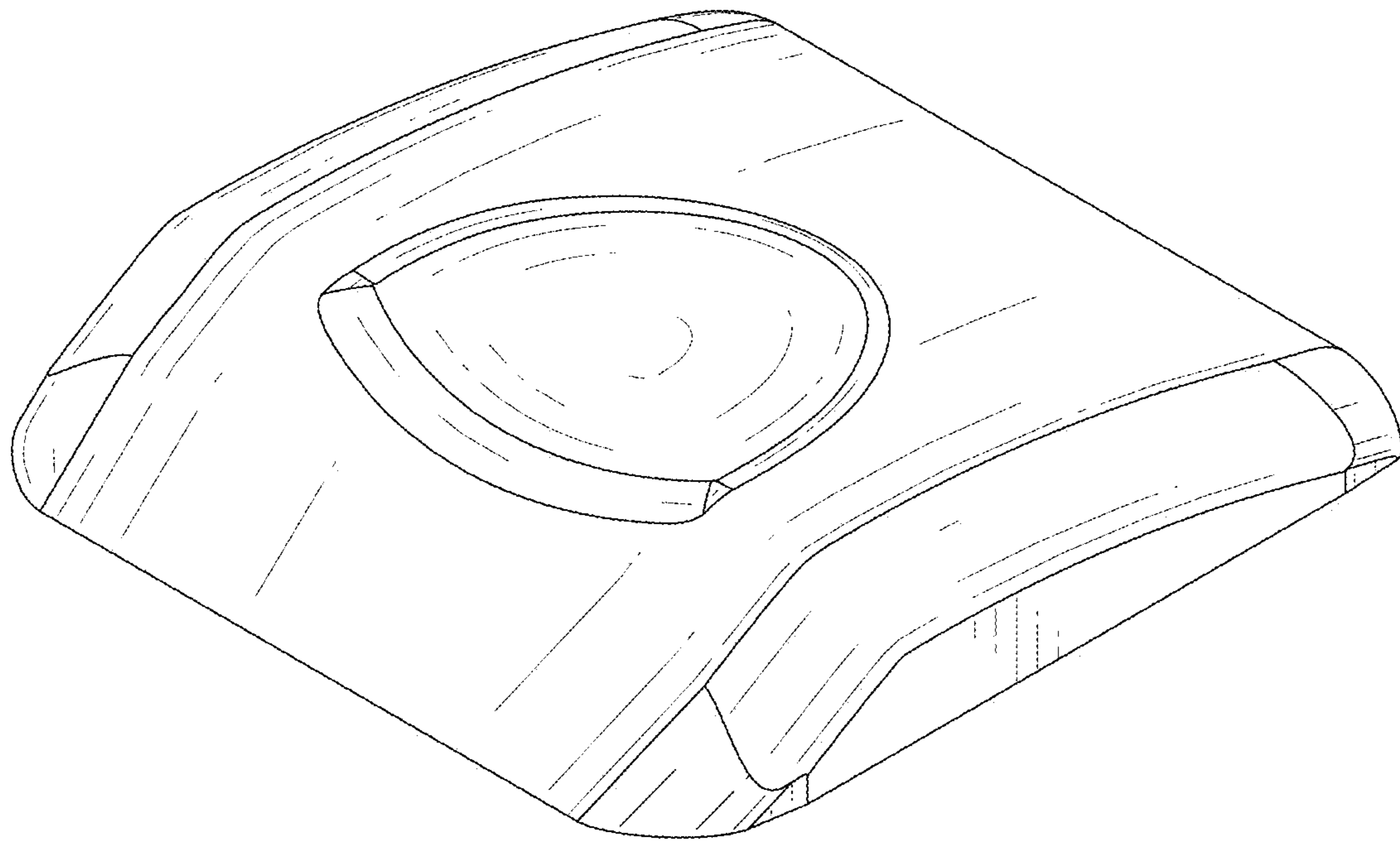


FIG. 1

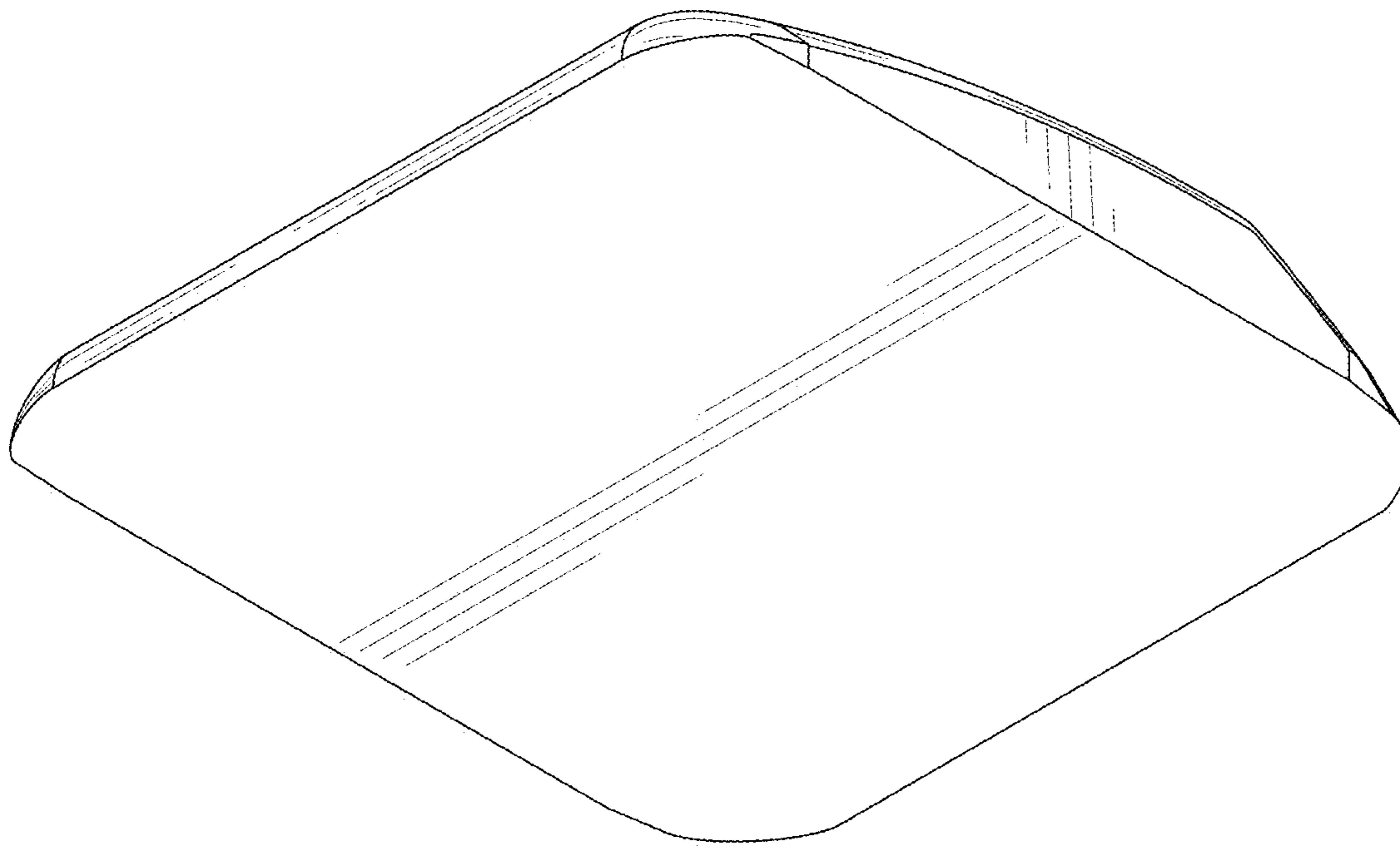


FIG. 2

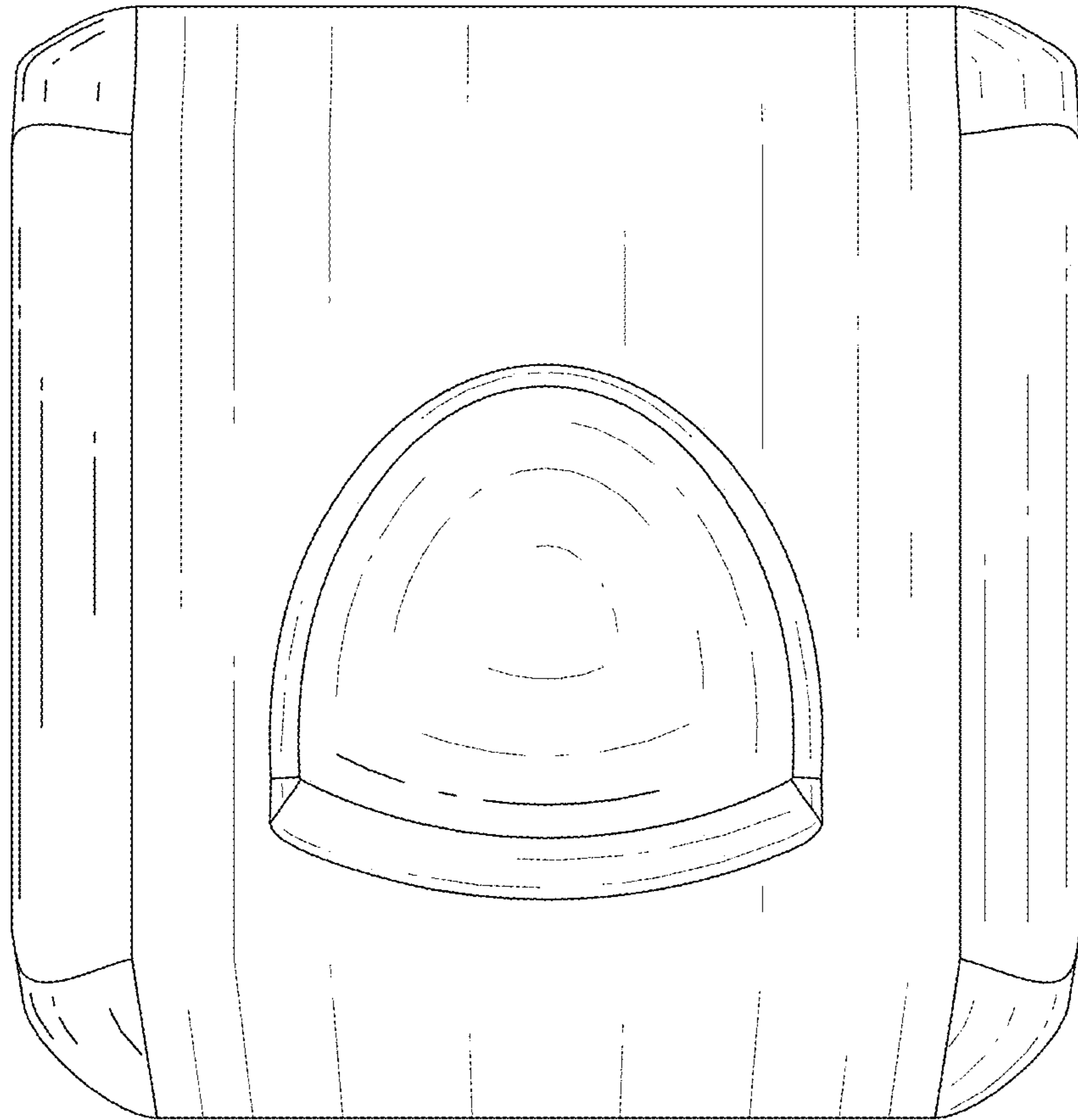


FIG. 3

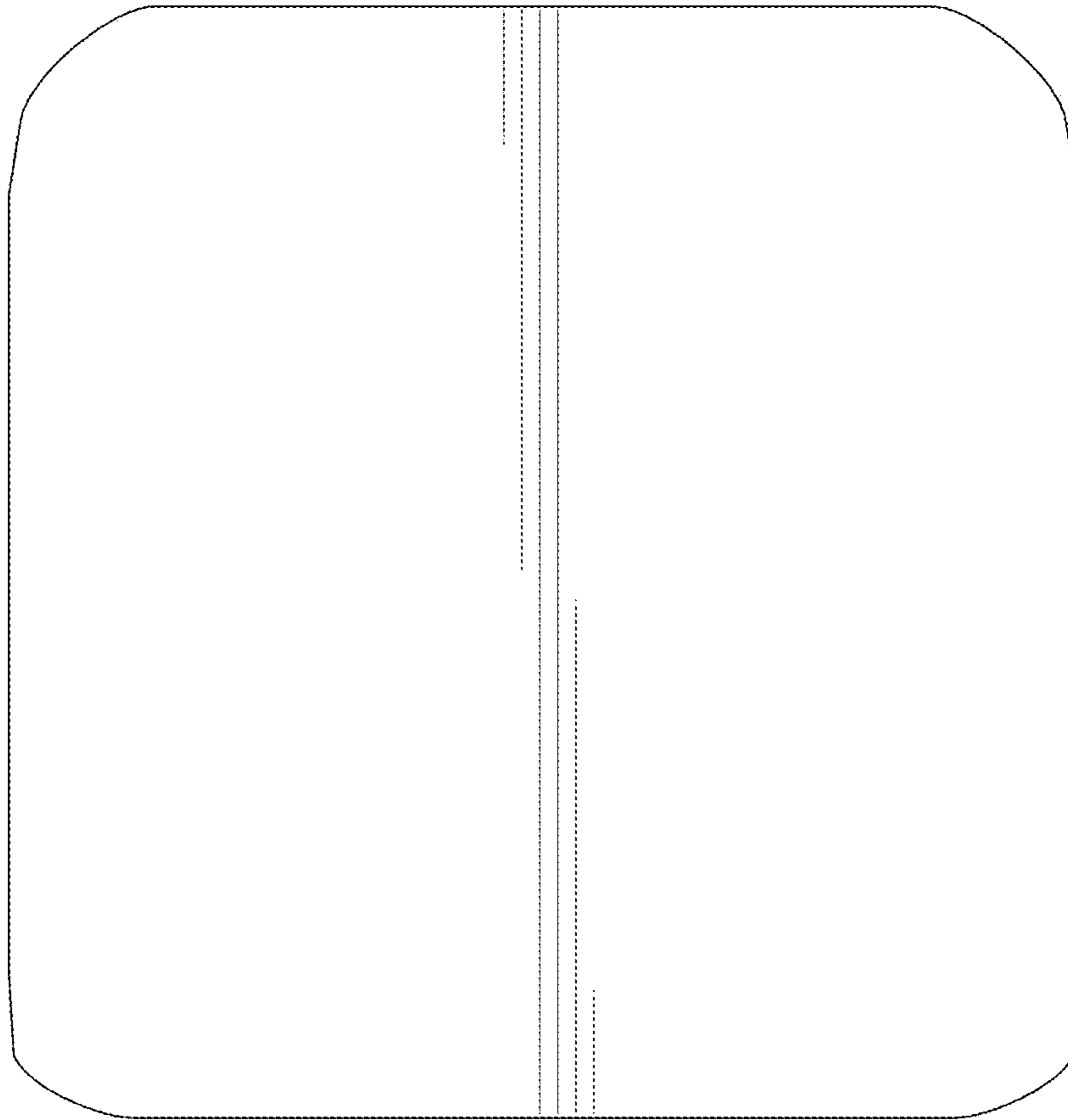


FIG. 4

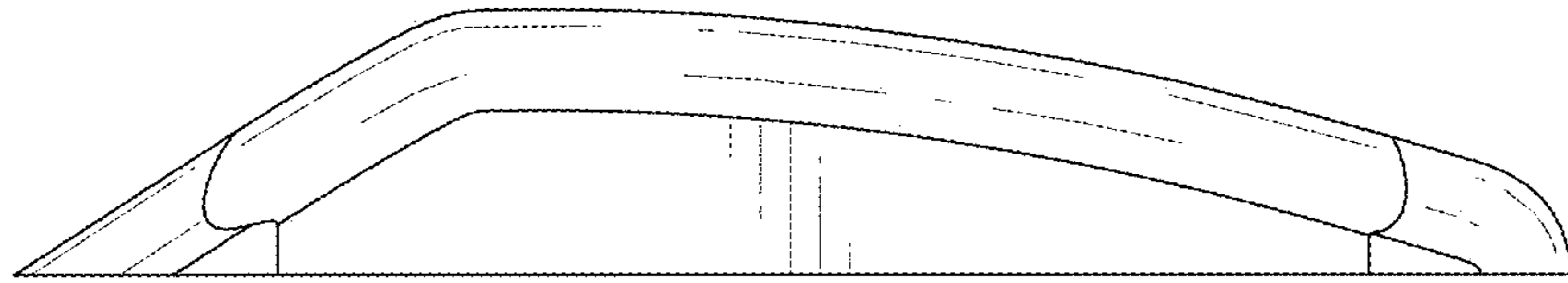


FIG. 5

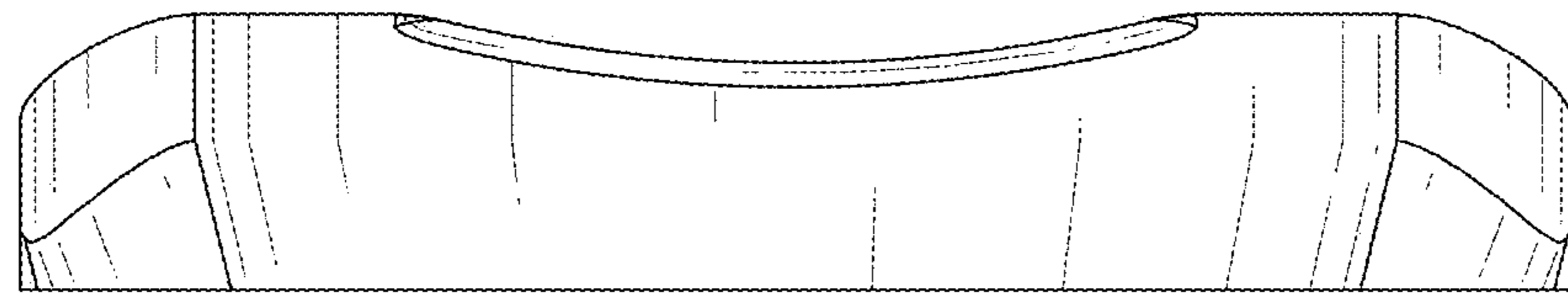


FIG. 6

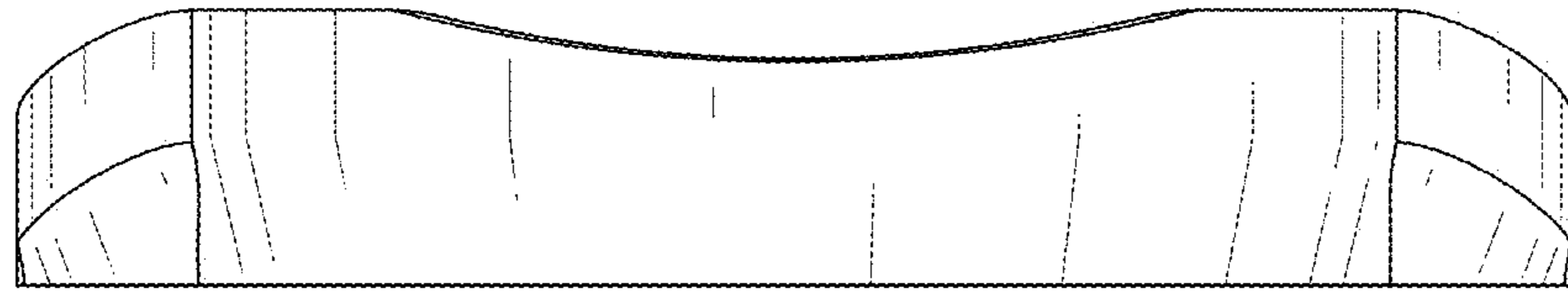


FIG. 7

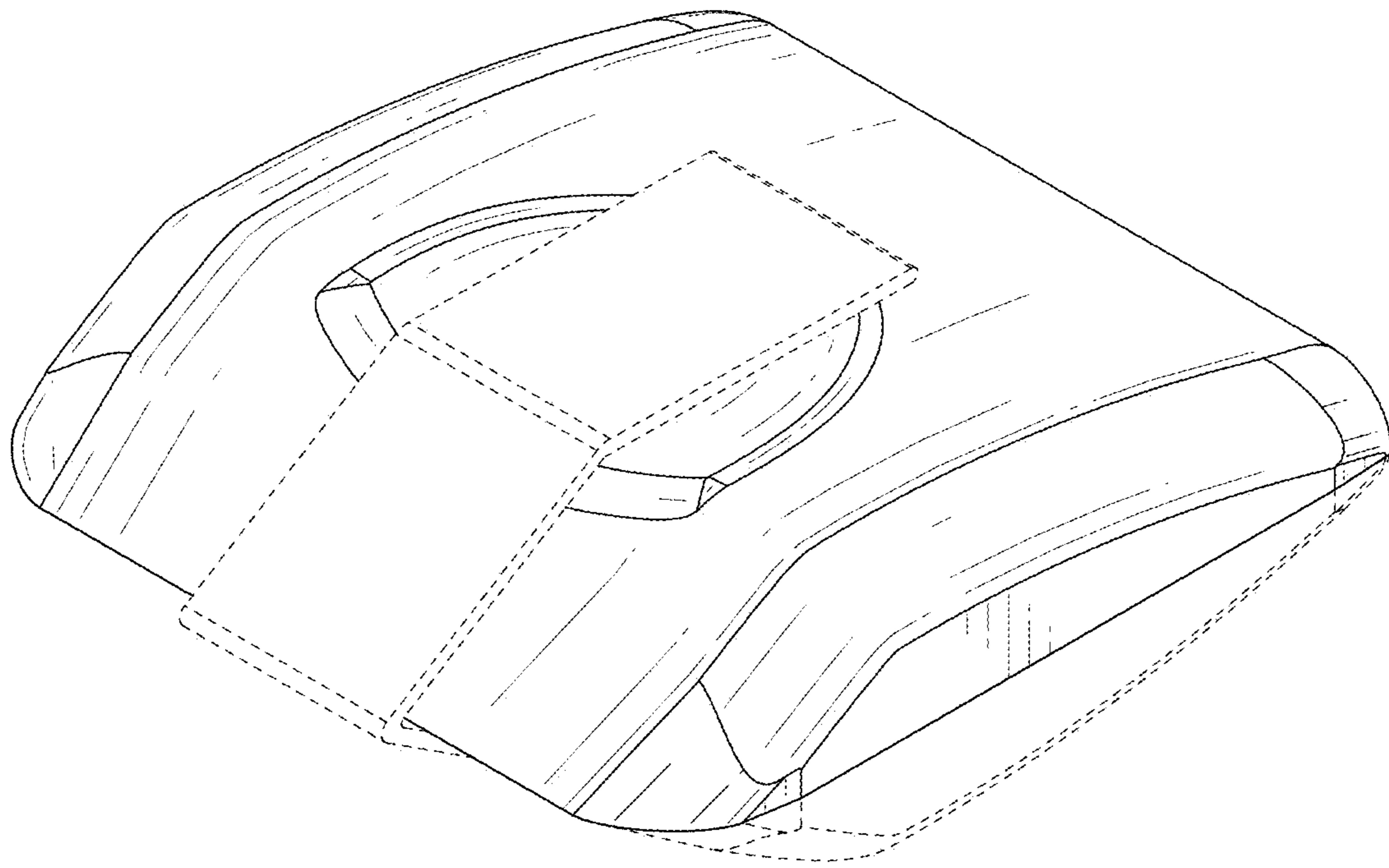


FIG. 8