



US00D986253S

(12) **United States Design Patent**
Kettner et al.

(10) **Patent No.: US D986,253 S**
(45) **Date of Patent: ** May 16, 2023**

(54) **CLIP WITH RETRACTABLE SCANNER
HOLDER**

(71) Applicant: **WORKAROUND GMBH**, Munich
(DE)

(72) Inventors: **Michael Kettner**, Munich (DE);
Konstantin Brunnbauer, Munich
(DE); **Danijel Juric**, Munich (DE)

(73) Assignee: **WORKAROUND GMBH**, Munich
(DE)

(**) Term: **15 Years**

(21) Appl. No.: **29/706,191**

(22) Filed: **Sep. 18, 2019**

(30) **Foreign Application Priority Data**

Sep. 17, 2019 (EP) 006883633

(51) **LOC (14) Cl.** **14-02**

(52) **U.S. Cl.**
USPC **D14/453**

(58) **Field of Classification Search**

USPC D14/420, 426-430, 453, 346, 341, 347,
D14/412, 498, 507, 371, 344, 125-129,
D14/138 R-138 G, 496, 510; D13/107,
D13/184; 358/473; 235/462.43, 462.44,
235/462.45, 462.47, 462.48, 462.46, 487,
235/472.01, 472.02, 440, 486, 462.01,
235/462.15, 462.21, 412, 462.11, 462.49,
235/385, 454, 435, 439-441, 375, 444,
235/456, 459, 462.14, 462.17, 462.2, 490,
235/494, 476, 462.22, 462.32, 462.35;
16/110.1, 430, 431; 439/133, 135;
709/219, 201; 710/73; 320/114, 115,
320/123; 361/679, 679.03; 382/313,
382/321, 318; 455/575.1, 561, 572,
455/575.6; 705/17, 14.64, 14.65, 21;
341/20; 362/103, 157, 158, 171-174,

362/183-208; 250/370.8, 370.1, 215,
250/216, 566; 348/E5.137, E5.143,
348/E9.026; 345/179, 156; 463/36;
14/2; 73/702; 600/300, 485; D3/218,
D3/228; 224/267, 575, 269, 271, 272;
340/5.92; D24/186, 158; D10/65, 57,
(Continued)

(56) **References Cited**

U.S. PATENT DOCUMENTS

3,613,819 A * 10/1971 Maloney B60R 22/04
180/270
6,633,770 B1 * 10/2003 Gitzinger H04M 1/04
224/667

(Continued)

Primary Examiner — Susan Moon Lee

(74) *Attorney, Agent, or Firm* — Robert L. Stearns;
Dickinson Wright, PLLC

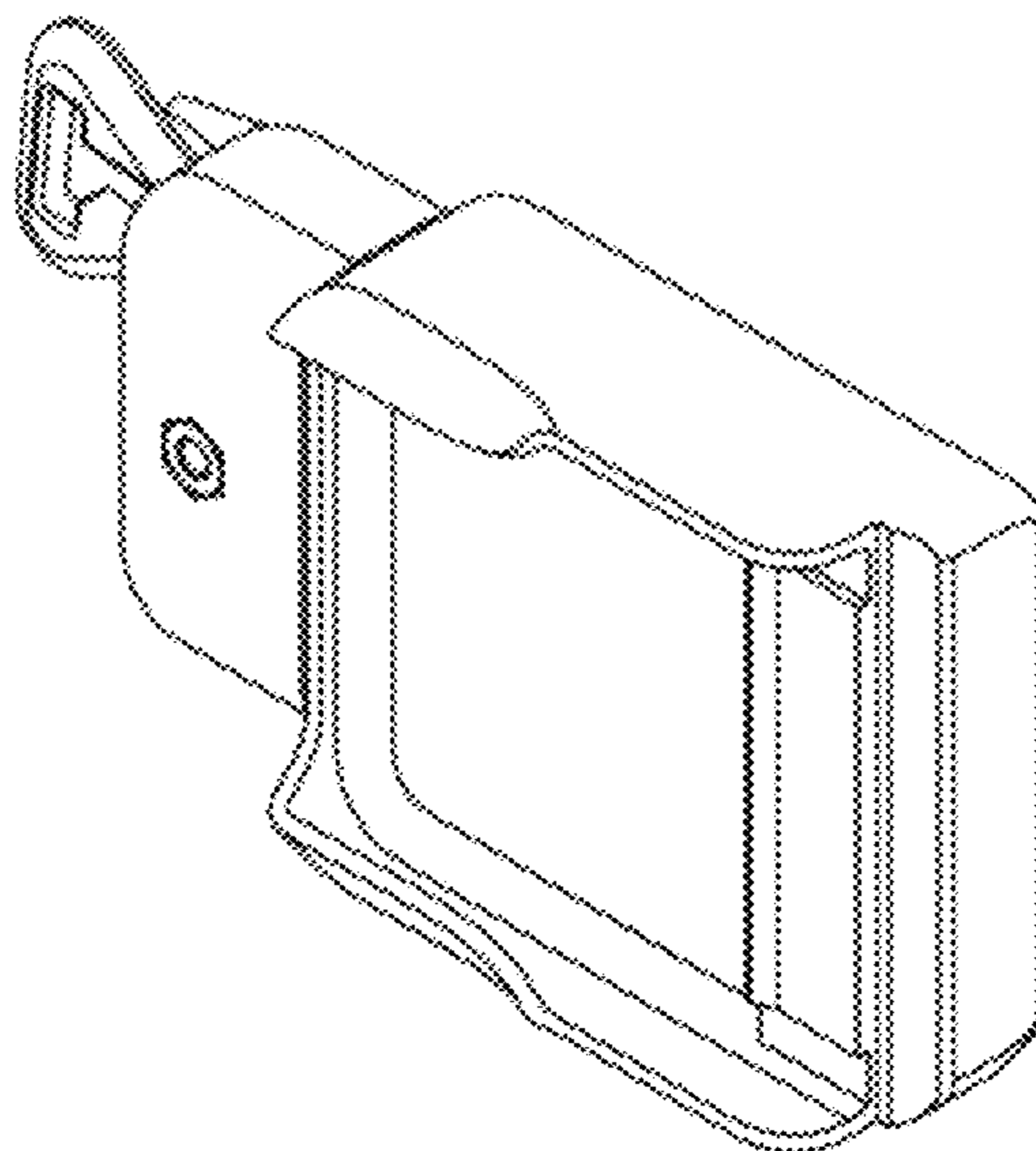
(57) **CLAIM**

The ornamental design for a “clip with retractable scanner holder,” as shown and described.

DESCRIPTION

FIG. 1 is a front perspective view of a clip with retractable scanner holder in an extended position;
FIG. 2 is a top view thereof;
FIG. 3 is a bottom view thereof;
FIG. 4 is a right side view thereof and the left side view is a mirror image of the right side view;
FIG. 5 is a front perspective view of a clip with retractable scanner holder in a retracted position;
FIG. 6 is a left side view thereof and the right side view is a mirror image of the left side view;
FIG. 7 is a bottom view thereof;
FIG. 8 is a top view thereof; and,
FIG. 9 is a front view of thereof.

1 Claim, 6 Drawing Sheets



(58) **Field of Classification Search**

USPC D10/81, 78, 98, 70; D26/37-50, 24;
396/427; D8/1, 394-396; D11/26, 27,
D11/88, 41
CPC G06K 7/10702; G06K 7/10; G06K 7/04;
G06K 7/1404; G06K 7/1447; G06K
7/10396; G06K 7/0004; G06K 7/0017;
G06K 7/002; G06K 7/10881; G06K
7/10386; G06K 7/10009; G06K 7/01;
G06K 7/10891; G06K 7/10544-1099;
G06K 2007/10524; G06K 2007/10534;
G06F 1/163; G06F 1/1633; G06F 1/1654;
G06F 1/1698; G06F 1/1684; G06F
2203/0331; G06Q 20/204; G06Q 20/208;
G06Q 20/30; G06Q 20/322; G06Q
20/203; G06Q 20/343; A45F 5/00; A45F
2005/002; A45F 2005/008; A45F
2200/0516; A45F 2200/0525; A45F
2200/0533; A45F 2200/0508; H04N 5/74;
H04N 9/3129; H04N 9/3141; H01H
2009/0221; A47F 9/046; A47F 9/047;
G07G 1/0045; G04N 5/23238; G04N
5/2252; G04N 5/2251; G03B 17/02;

B25H 5/00; B66F 7/28; G02B 26/10;
G02B 26/106; G07F 11/002; G07F 11/02;
A44C 5/0084; B60R 22/04
See application file for complete search history.

(56)

References Cited

U.S. PATENT DOCUMENTS

D520,013 S * 5/2006 Yang D14/434
7,942,326 B2 * 5/2011 Miller G06Q 10/087
235/440
D729,248 S * 5/2015 Porter D14/434
D770,762 S * 11/2016 Mathews, Jr. D3/228
D774,298 S * 12/2016 Mathews, Jr. D3/228
10,135,213 B2 * 11/2018 Brunnbauer A41D 19/0037
10,143,295 B2 * 12/2018 Palma A45F 5/004
D863,291 S * 10/2019 Shi D14/253
D944,814 S * 3/2022 Huber D14/453
D964,376 S * 9/2022 Sittig D14/453
D967,120 S * 10/2022 Morgeneier G06K 7/00
D14/453
2018/0146720 A1 * 5/2018 Sittig A41D 1/002
2020/0305522 A1 * 10/2020 Ruhland G06K 7/10396

* cited by examiner

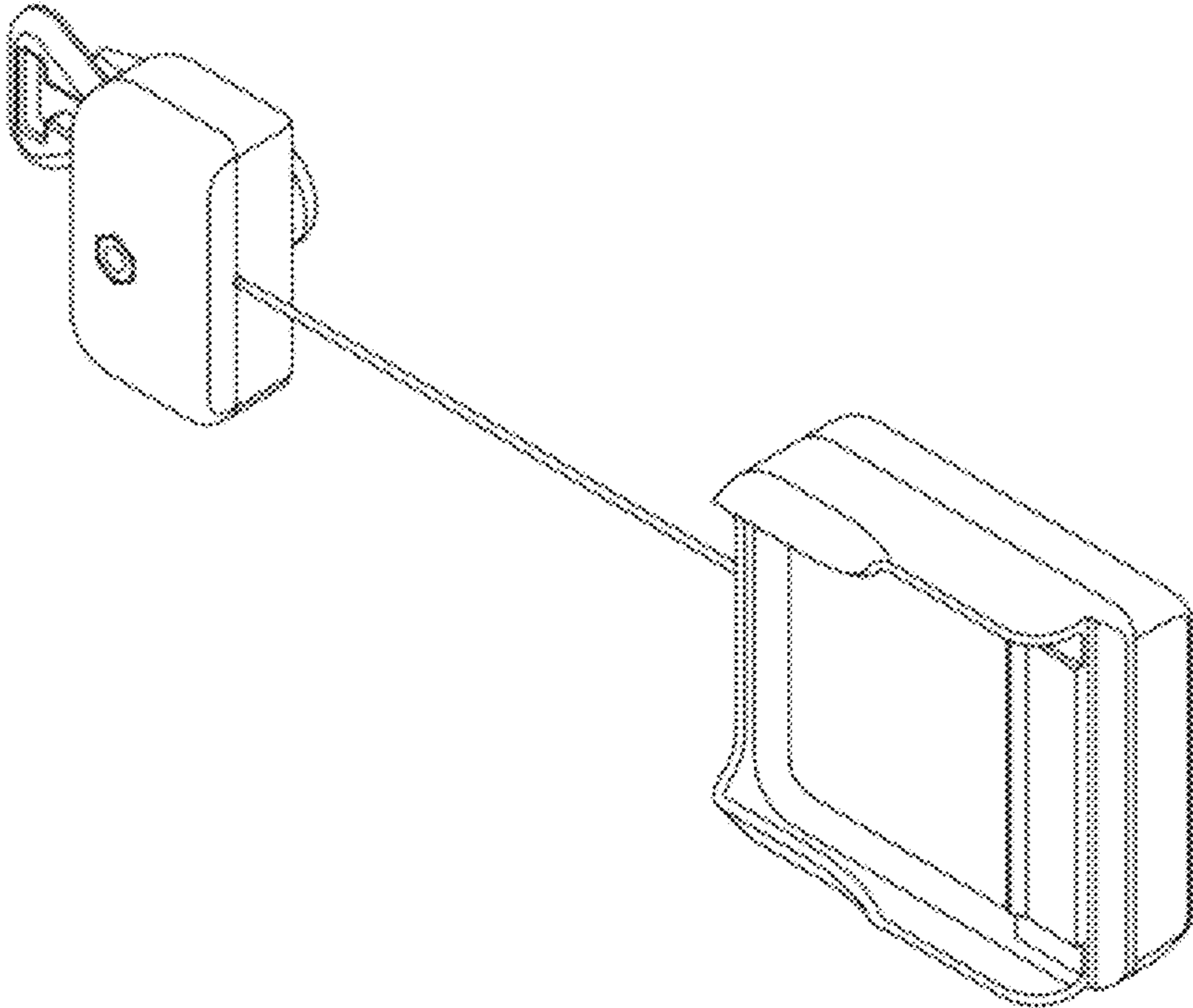


FIG. 1

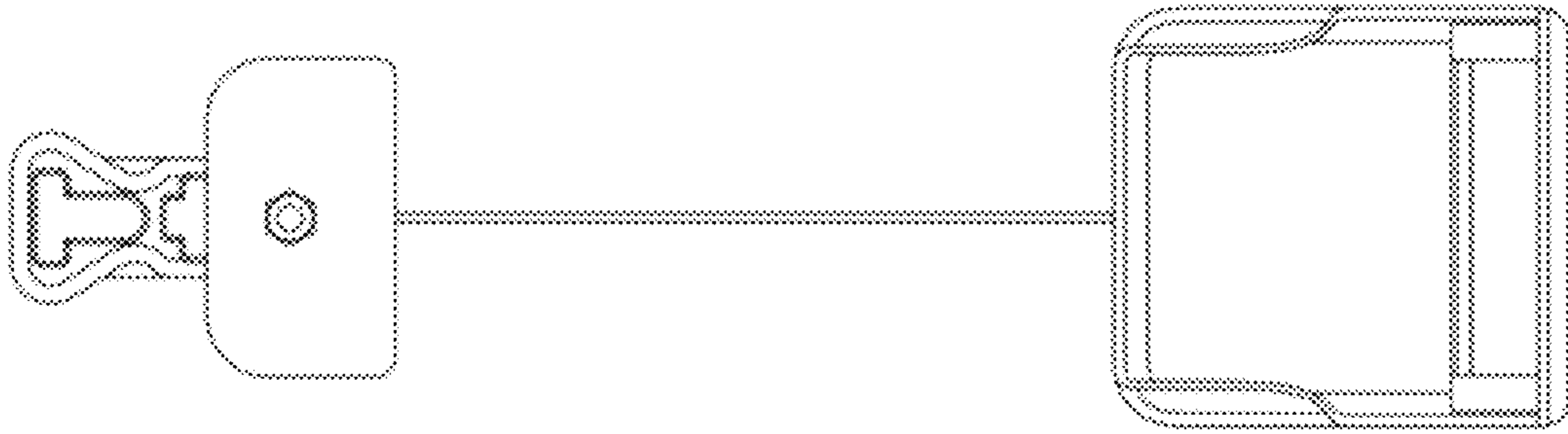


FIG. 2

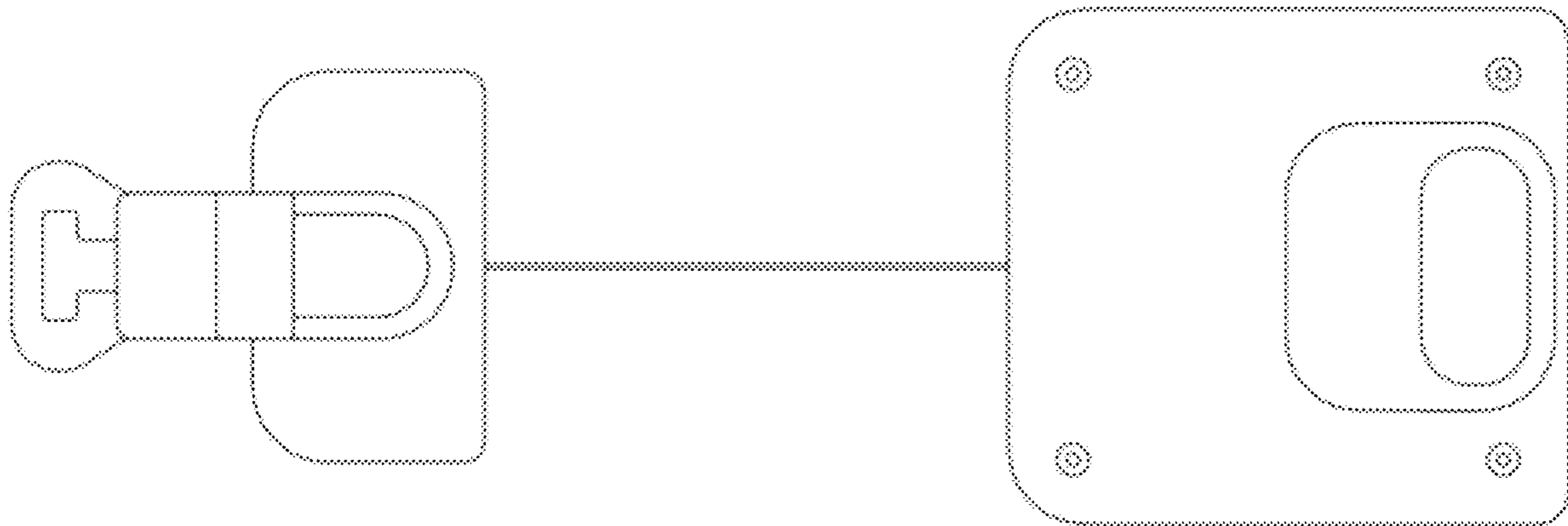


FIG. 3

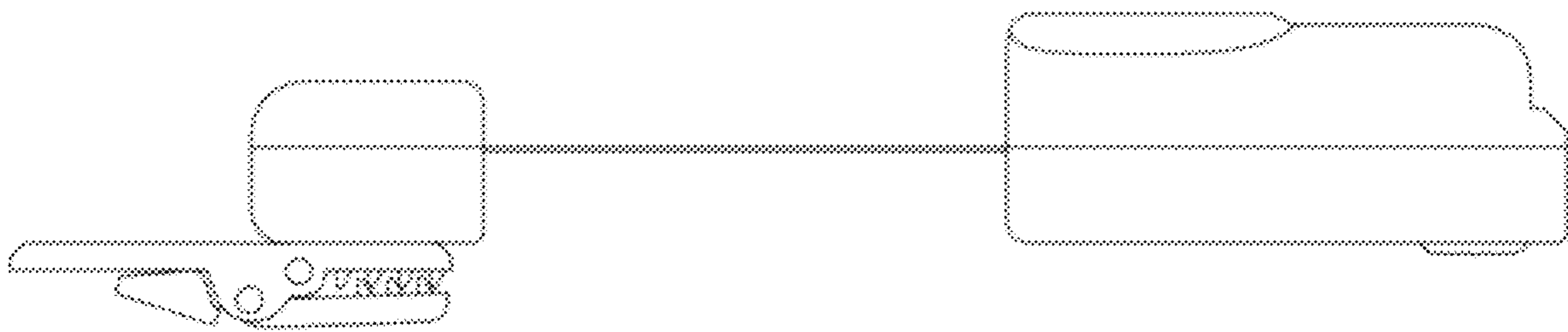


FIG. 4

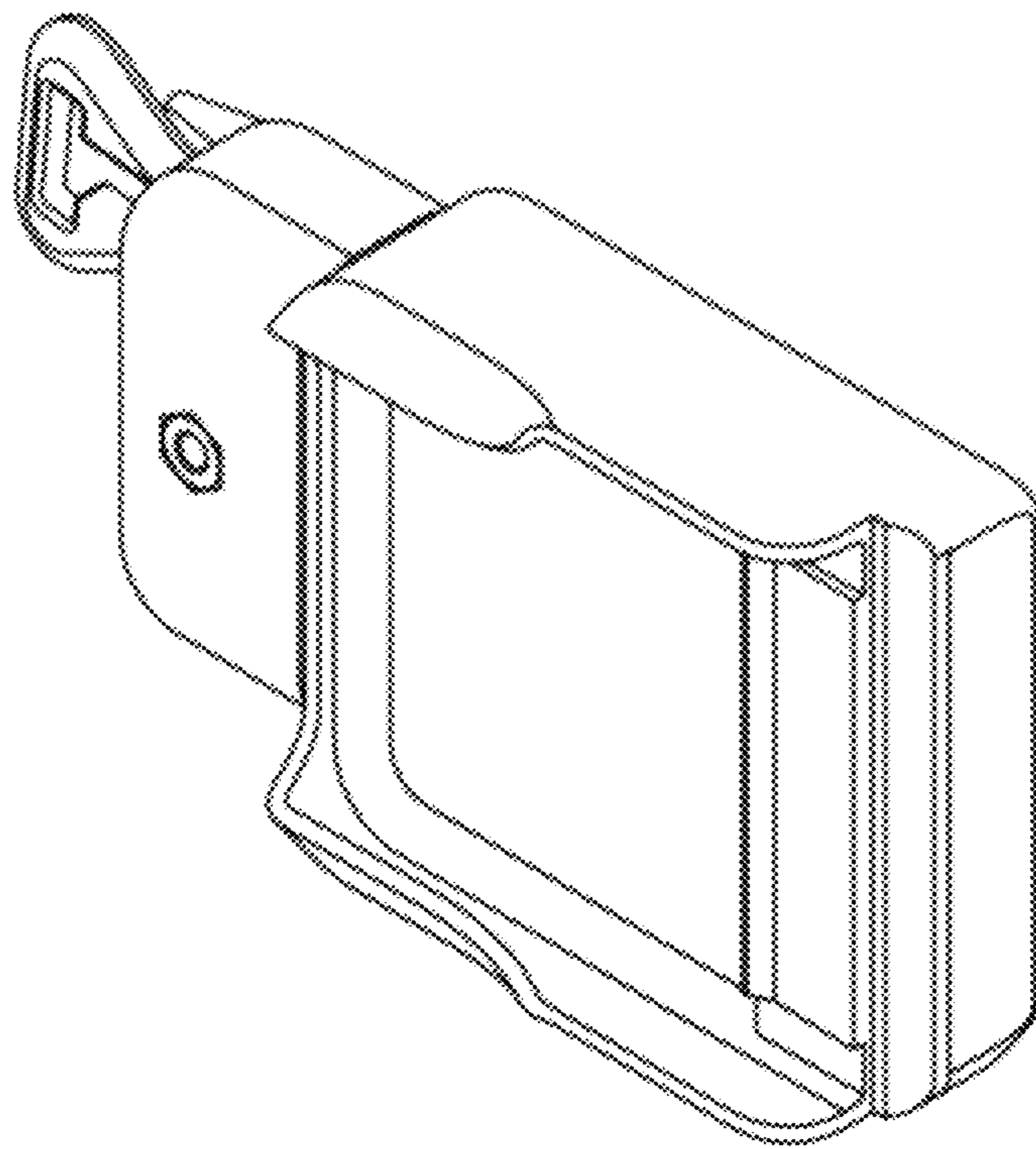


FIG. 5

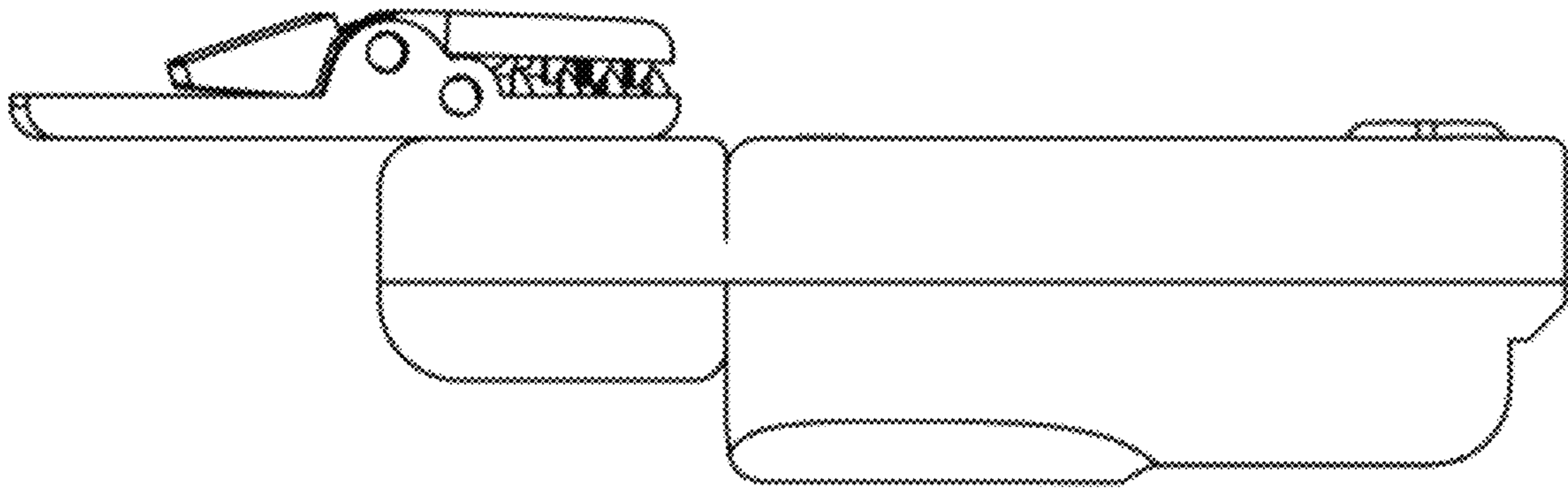


FIG. 6

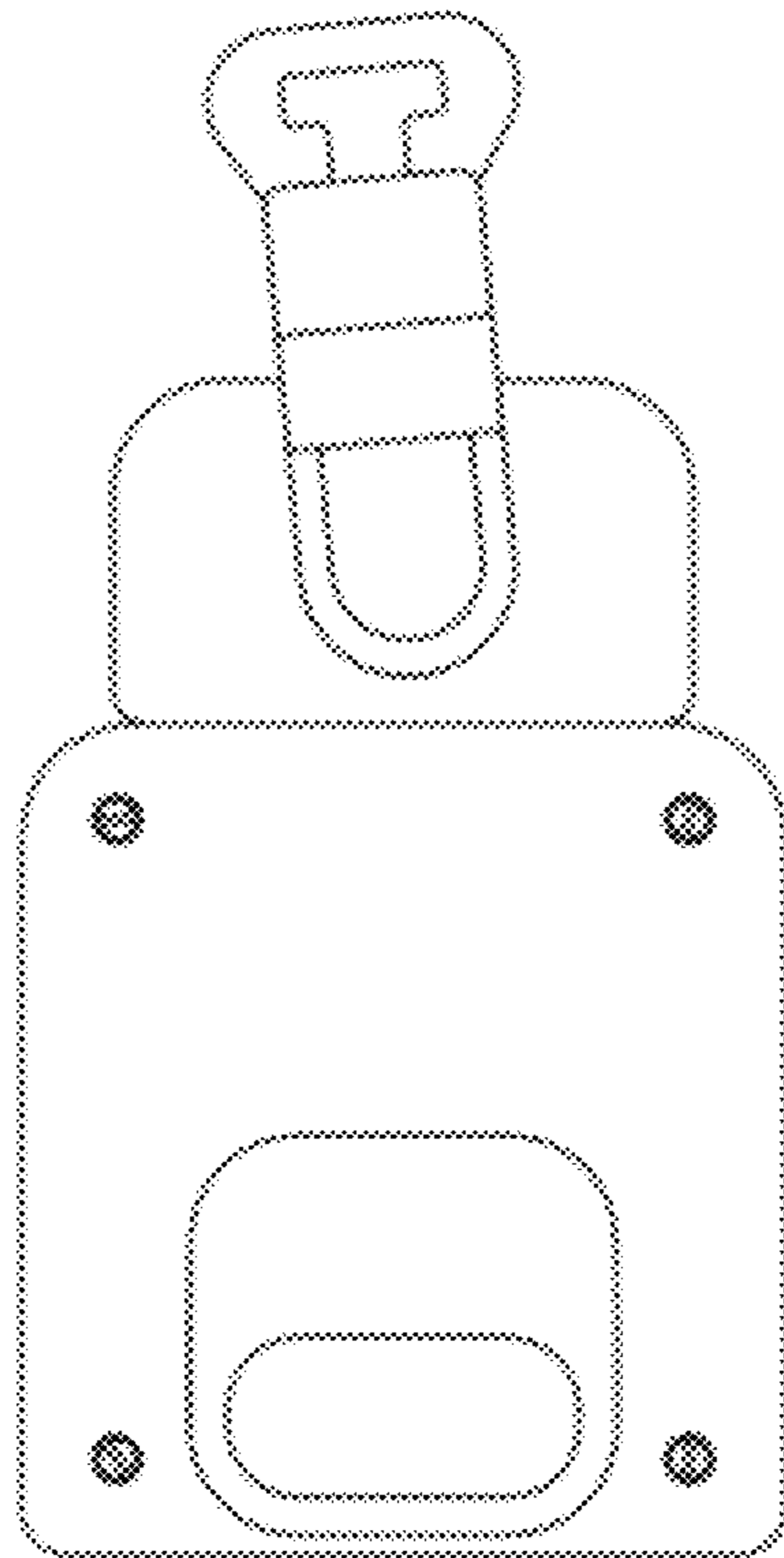


FIG. 7

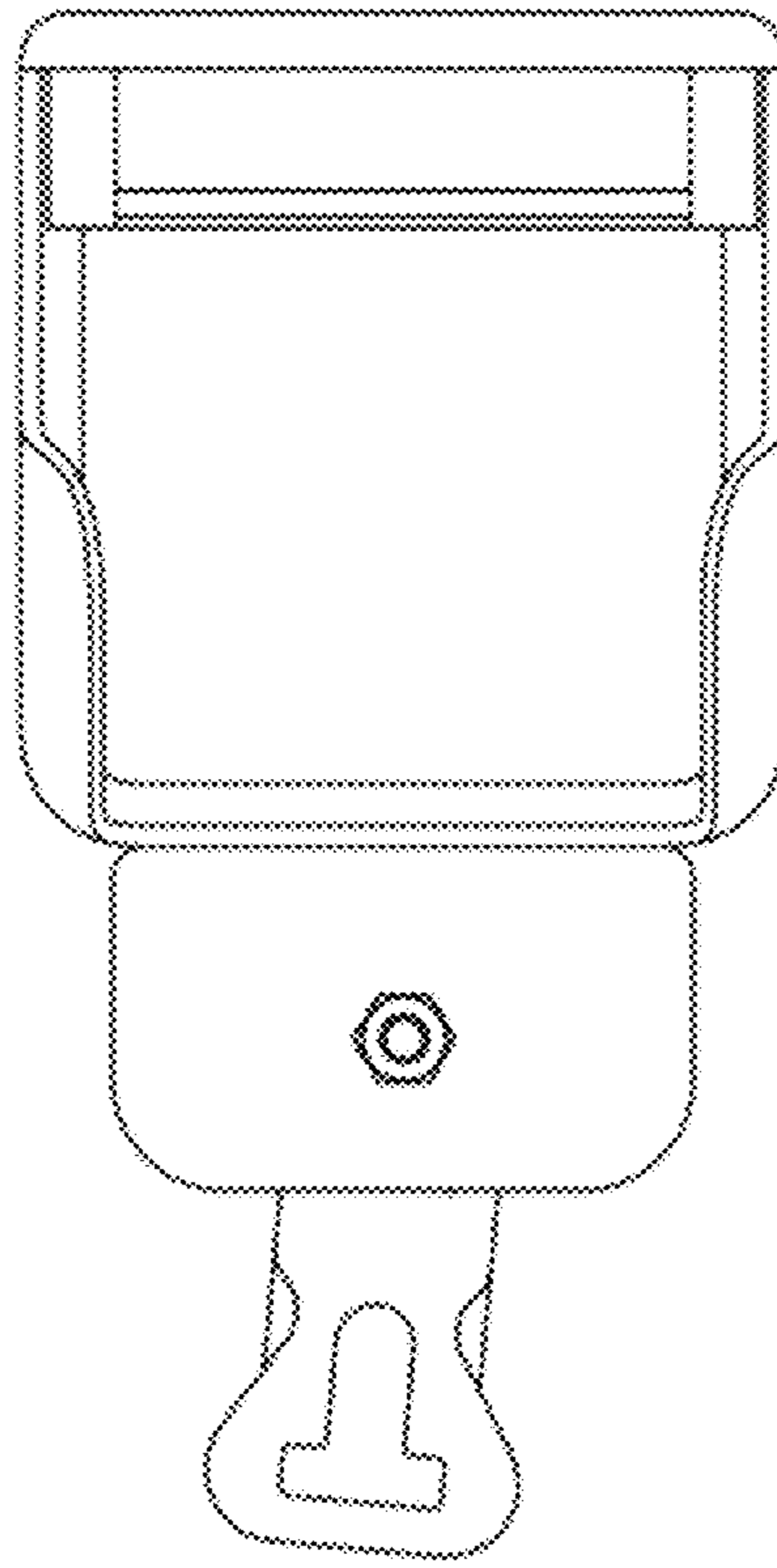


FIG. 8

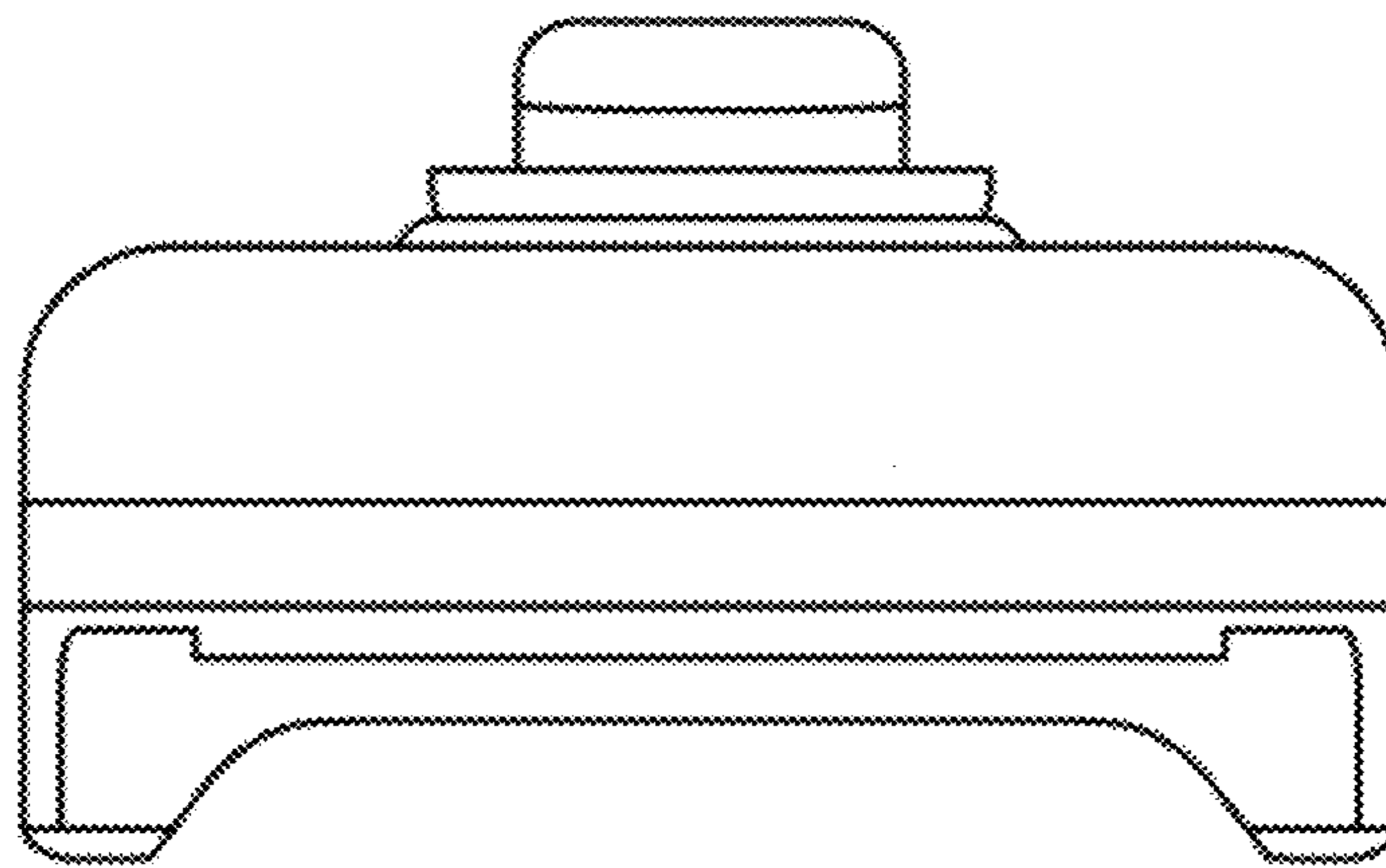


FIG. 9