



US00D986252S

(12) **United States Design Patent**
Shen

(10) **Patent No.:** **US D986,252 S**

(45) **Date of Patent:** **** May 16, 2023**

(54) **ELECTRONIC EQUIPMENT STORAGE SEAT**

D939,515 S * 12/2021 Zhang D14/447
D960,168 S * 8/2022 Yang D14/447
D962,951 S * 9/2022 Chen D14/447

(71) Applicant: **PIPITECH (WUHAN) CO., LTD.**,
Wuhan (CN)

(72) Inventor: **Xiaojuan Shen**, Wuhan (CN)

(73) Assignee: **PIPITECH (WUHAN) CO., LTD.**,
Wuhan (CN)

(**) Term: **15 Years**

(21) Appl. No.: **29/802,250**

(22) Filed: **Aug. 4, 2021**

(51) **LOC (14) Cl.** **14-02**

(52) **U.S. Cl.**
USPC **D14/447**

(58) **Field of Classification Search**
USPC ... D14/209.1, 217, 224, 253, 434, 447, 453;
D13/108; D19/75; D6/682
CPC .. F16M 13/00; A47B 2023/049; A47B 23/04;
A47B 2220/0091
See application file for complete search history.

(56) **References Cited**

U.S. PATENT DOCUMENTS

D349,696 S * 8/1994 Hames D14/447
D579,004 S * 10/2008 Bang D14/223
D676,450 S * 2/2013 Lye D14/447
D828,361 S * 9/2018 Turksu D14/447
D844,623 S * 4/2019 Chen D14/447
D908,788 S * 1/2021 Leewe D14/217

OTHER PUBLICATIONS

Amazon.com_ Lamicall Vertical Laptop Stand Holder, first available Dec. 2, 2021 [online], retrieved Jan. 27, 2023, available at URL: <https://a.co/d/jkaXCyM> (Year: 2021).*
Amazon.com_ Soarchick Laptop Stand for Desk Gravity Locking, first available Oct. 9, 2021 [online], retrieved Jan. 27, 2023, available at URL: <https://a.co/d/jkmZsH4> (Year: 2021).*

* cited by examiner

Primary Examiner — Wendy L Arminio

Assistant Examiner — Carrie S Gelula

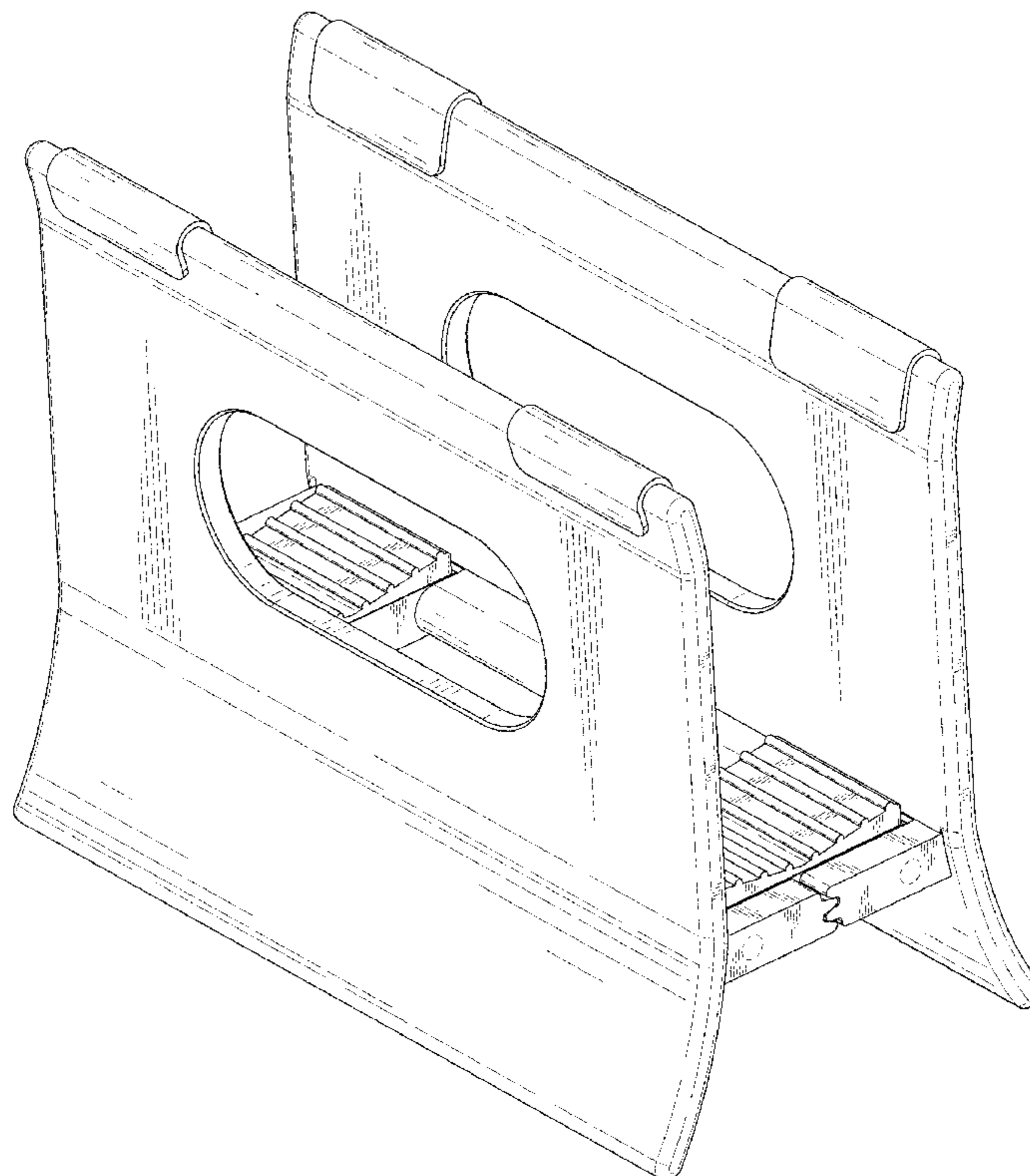
(57) **CLAIM**

The ornamental design for an electronic equipment storage seat, as shown and described.

DESCRIPTION

FIG. 1 is a perspective view of an electronic equipment storage seat showing my new design; FIG. 2 is another perspective view thereof; FIG. 3 is a front elevational view thereof; FIG. 4 is a rear elevational view thereof; FIG. 5 is a left side elevational view thereof; FIG. 6 is a right side elevational view thereof; FIG. 7 is a top plan view thereof; and, FIG. 8 is a bottom plan view thereof. The broken lines in the drawings depict portions of the electronic equipment storage seat that form no part of the claimed design.

1 Claim, 8 Drawing Sheets



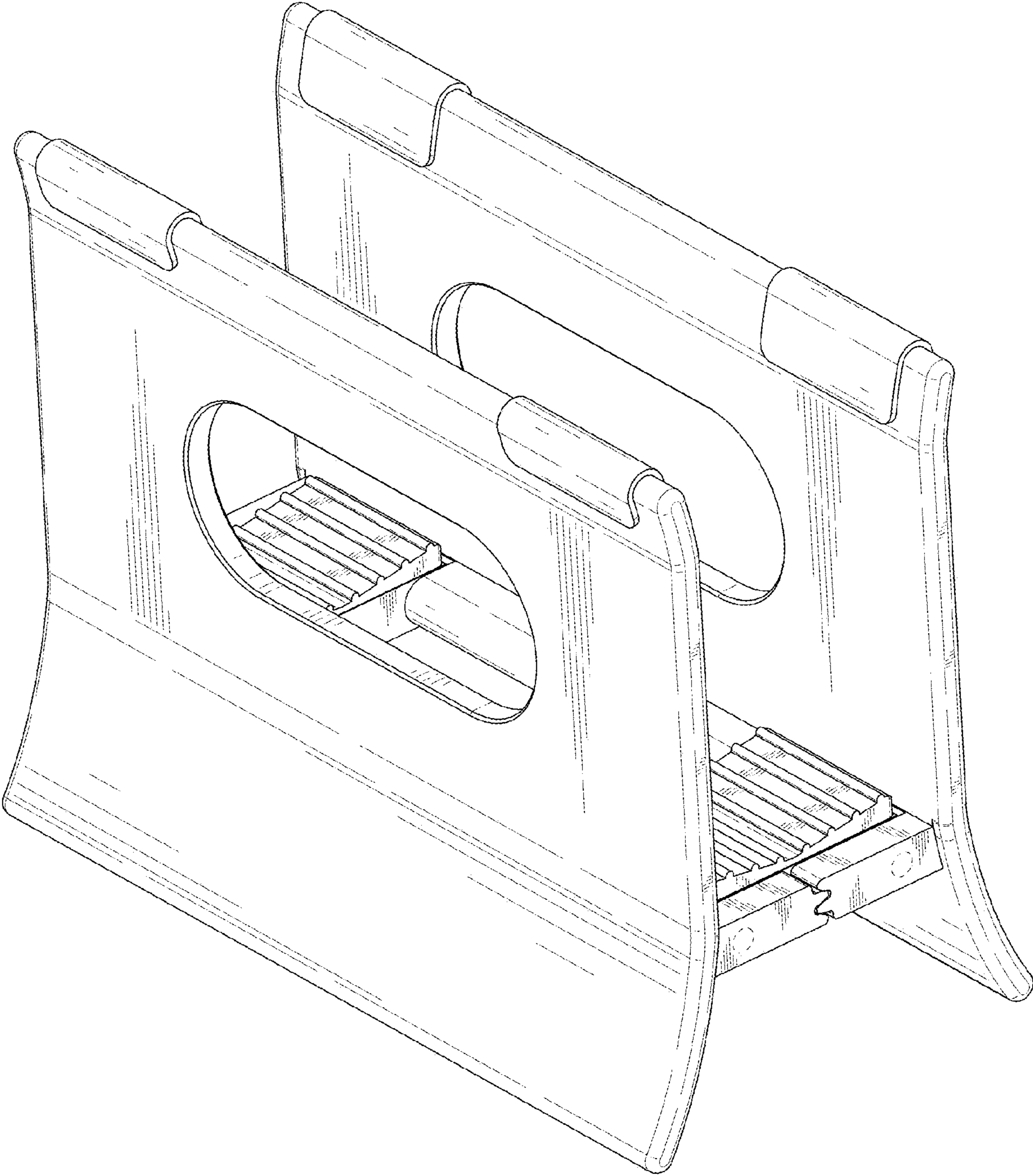


FIG. 1

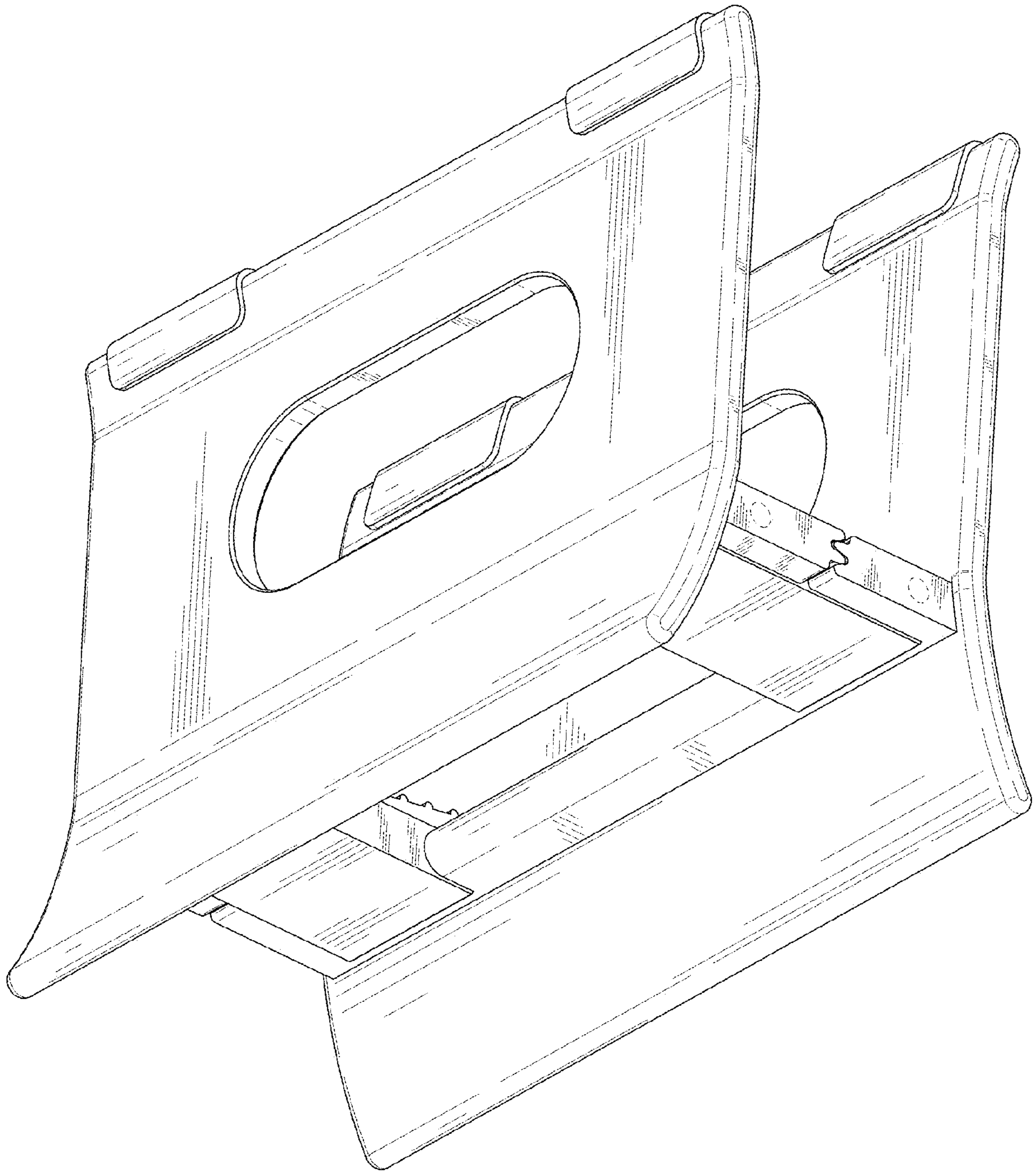


FIG. 2

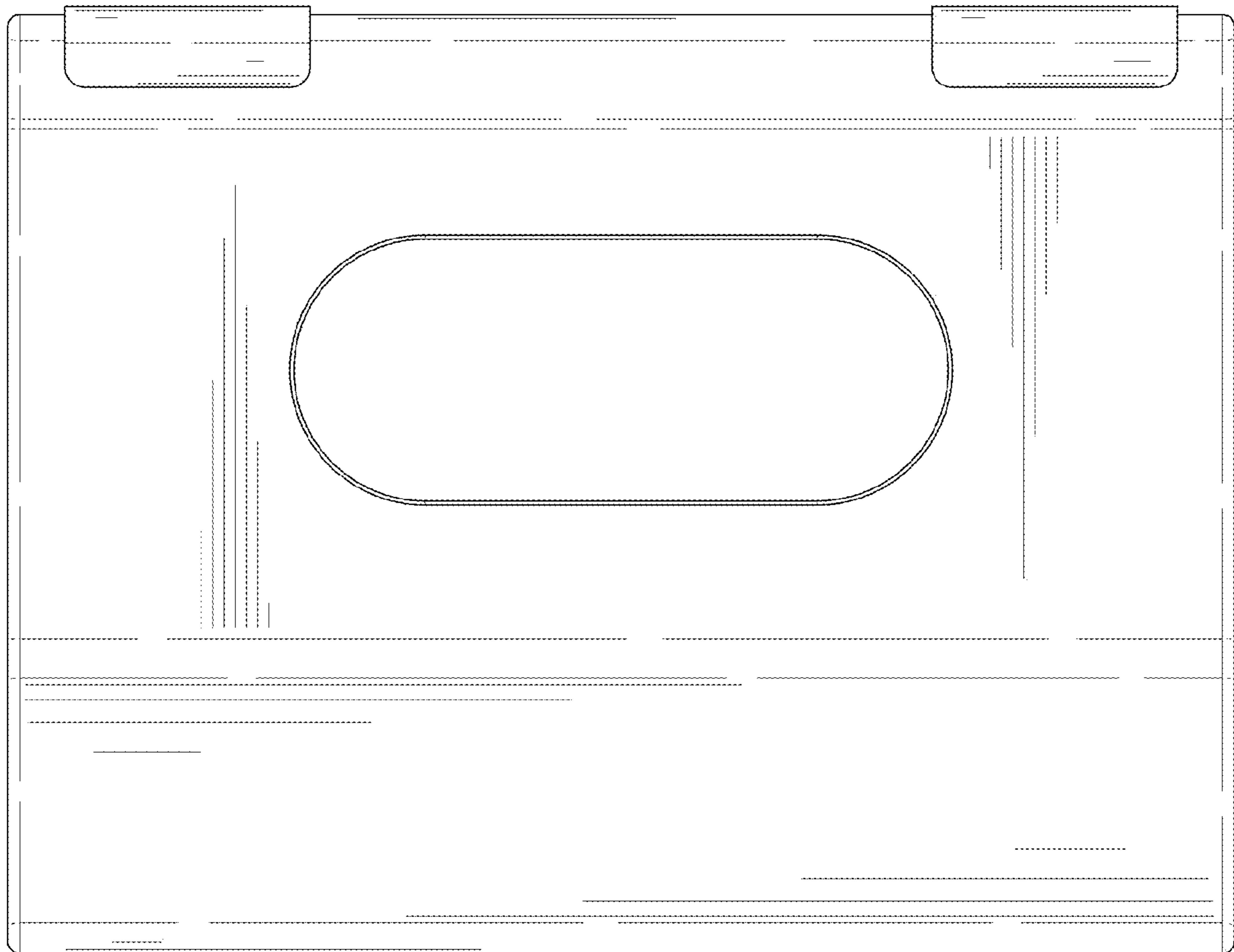


FIG. 3

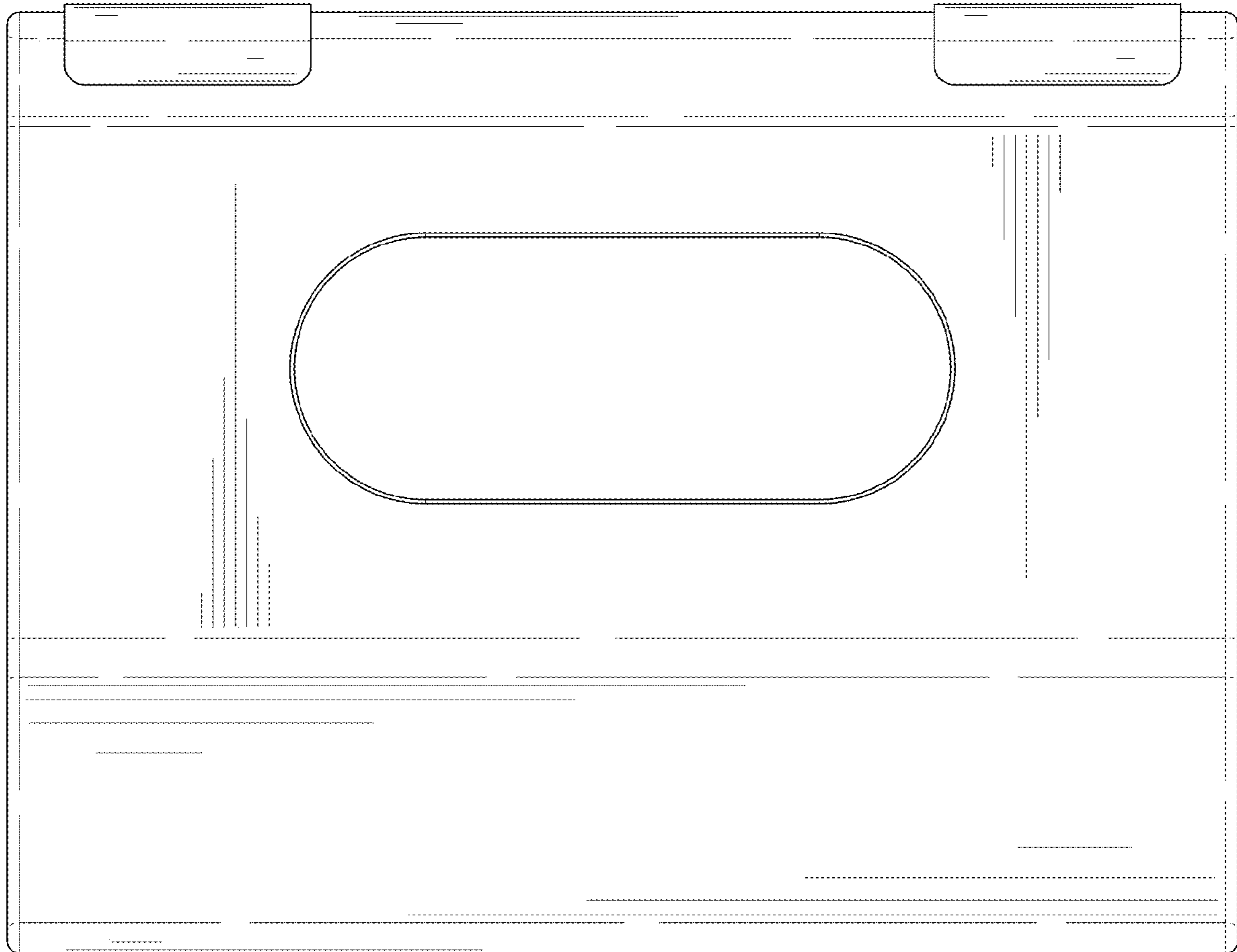


FIG. 4

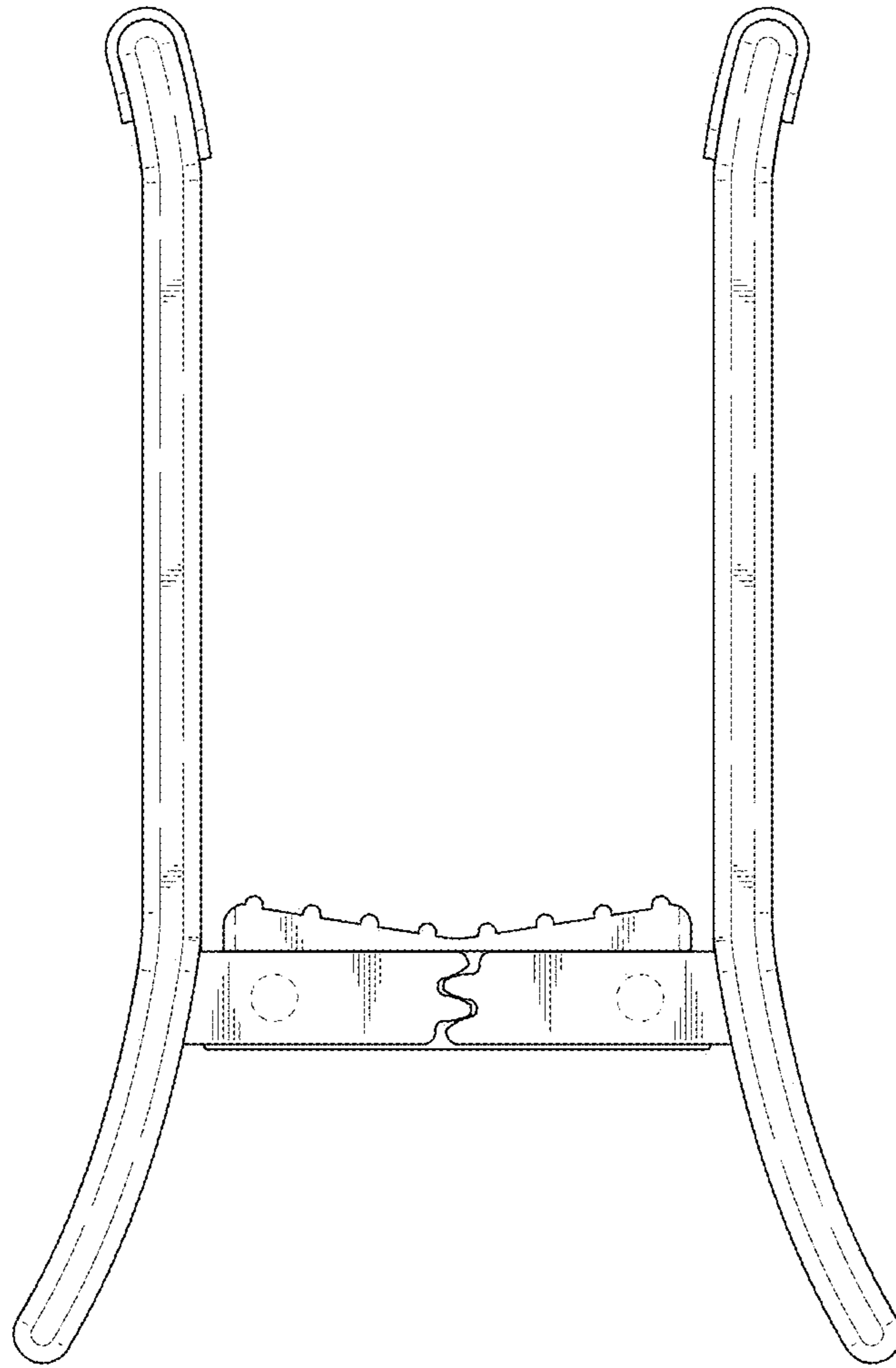


FIG. 5

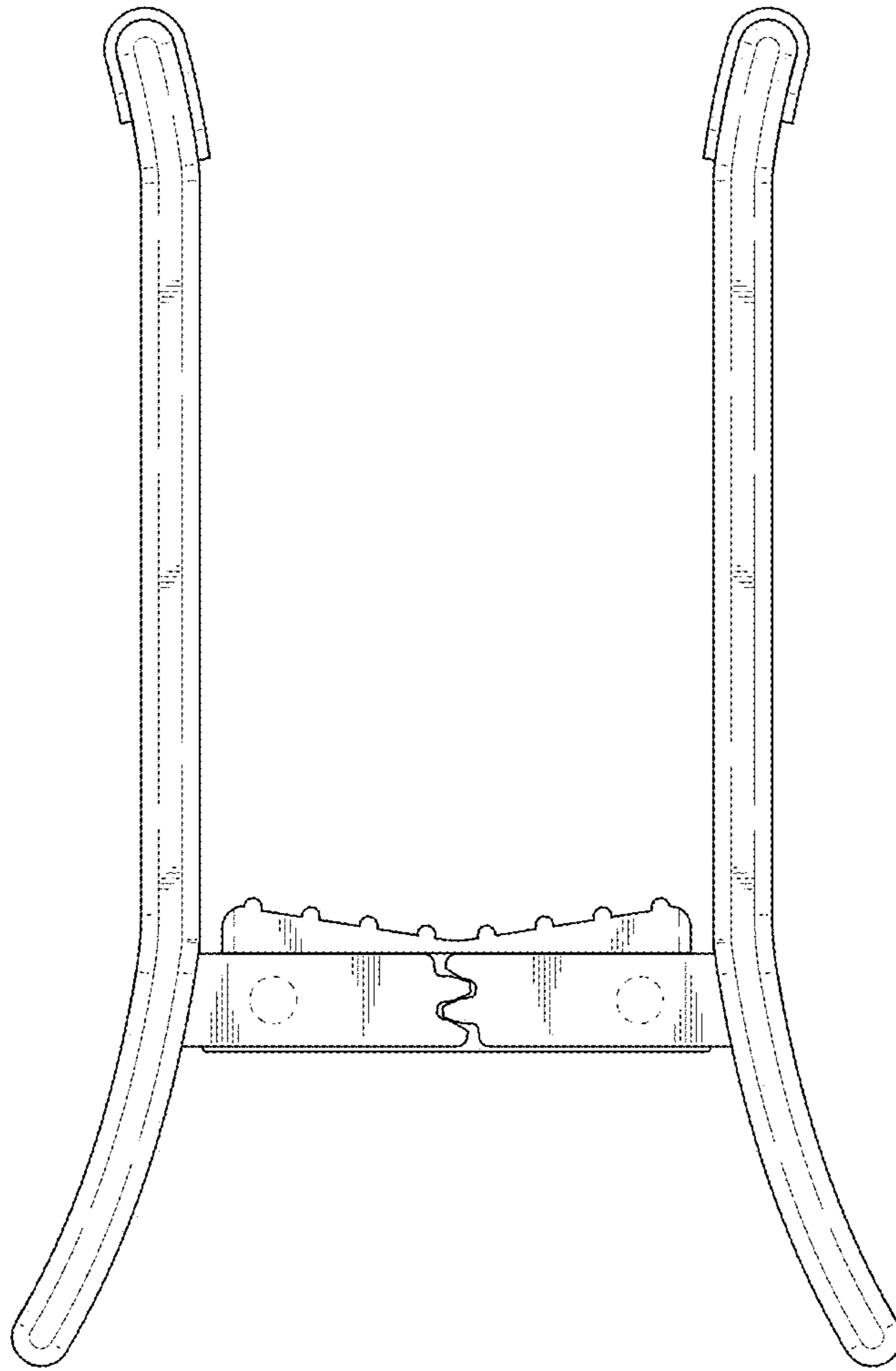


FIG. 6

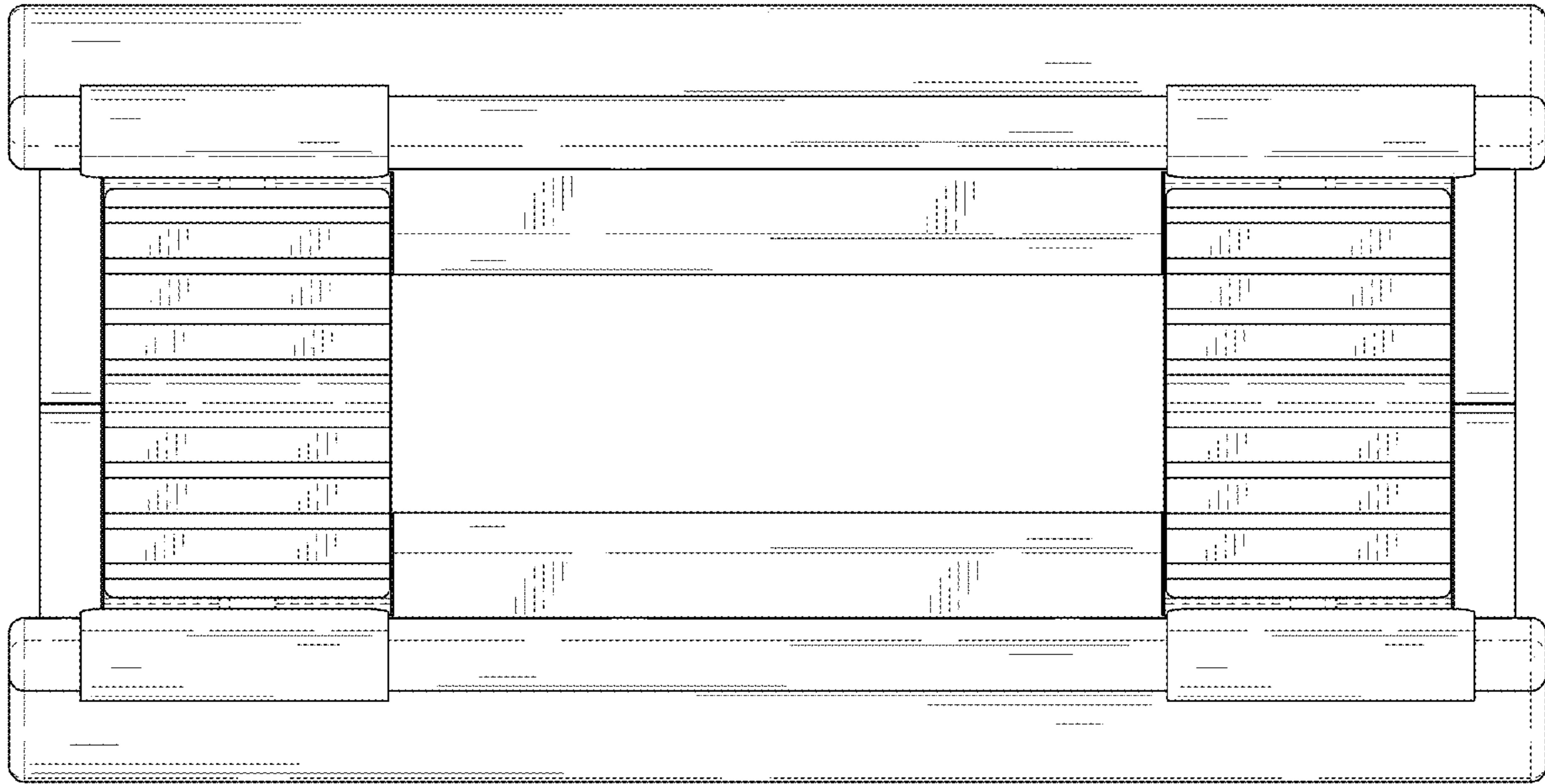


FIG. 7

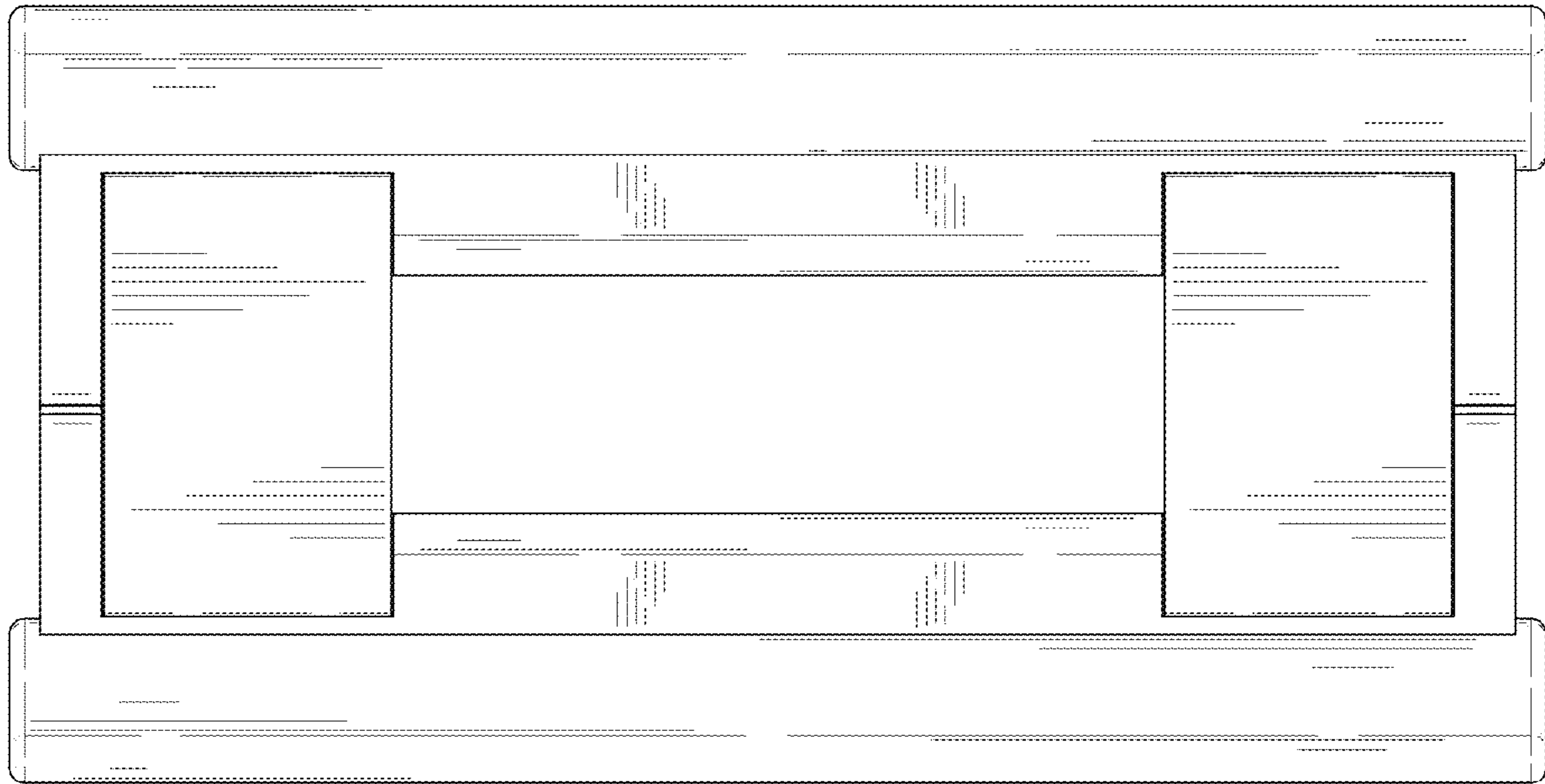


FIG. 8