



US00D986250S

(12) **United States Design Patent** (10) **Patent No.:** **US D986,250 S**
Weise (45) **Date of Patent:** **** May 16, 2023**

(54) **HOLDER FOR ELECTRONIC DEVICES**
(71) Applicant: **viveroo GmbH**, Salzkotten (DE)
(72) Inventor: **Hartmut Weise**, Bad Lippspringe (DE)
(73) Assignee: **Viveroo GmbH**, Salzkotten (DE)
(**) Term: **15 Years**

(21) Appl. No.: **29/730,775**
(22) Filed: **Apr. 8, 2020**

(30) **Foreign Application Priority Data**

Oct. 9, 2019 (EM) 007004213-0001

(51) **LOC (14) Cl.** **14-02**

(52) **U.S. Cl.**
USPC **D14/440**

(58) **Field of Classification Search**
USPC D14/440, 447, 250; 361/679.55;
206/45.23, 320, 45.2; 294/25; 455/575.8
CPC ... G06F 1/1628; G06F 1/1626; A47B 23/044;
A45C 11/00; H04B 1/3888
See application file for complete search history.

(56) **References Cited**

U.S. PATENT DOCUMENTS

D686,626 S *	7/2013	Tan	D14/440
D731,493 S *	6/2015	Mills	D14/440
D731,495 S *	6/2015	Hassett	D14/440
D837,891 S *	1/2019	Buller	D14/440
D906,338 S *	12/2020	Hyun	D14/440
D906,341 S *	12/2020	Jiao	D14/440
D907,638 S *	1/2021	Yang	D14/440
D918,215 S *	5/2021	Hyun	D14/440

D930,082 S *	9/2021	Buller	D21/333
D933,075 S *	10/2021	Wright	D14/440
D937,276 S *	11/2021	Wilcox	D14/440
D941,298 S *	1/2022	Mecchella	D14/440
D947,201 S *	3/2022	Kirk	D14/447
D958,146 S *	7/2022	Wright	D14/440
2013/0222139 A1 *	8/2013	Gouge	A61B 5/02055 340/573.1

* cited by examiner

Primary Examiner — Cynthia R Underwood

(74) *Attorney, Agent, or Firm* — Muncy, Geissler, Olds & Lowe, P.C.

(57) **CLAIM**

The ornamental design for a holder for electronic devices, as shown and described.

DESCRIPTION

FIG. 1 is a front perspective view of a holder for electronic devices according to the present invention.

FIG. 2 is a front view of the holder for electronic devices of FIG. 1.

FIG. 3 is a rear view of the holder for electronic devices of FIG. 1.

FIG. 4 is a left side view of the holder for electronic devices of FIG. 1.

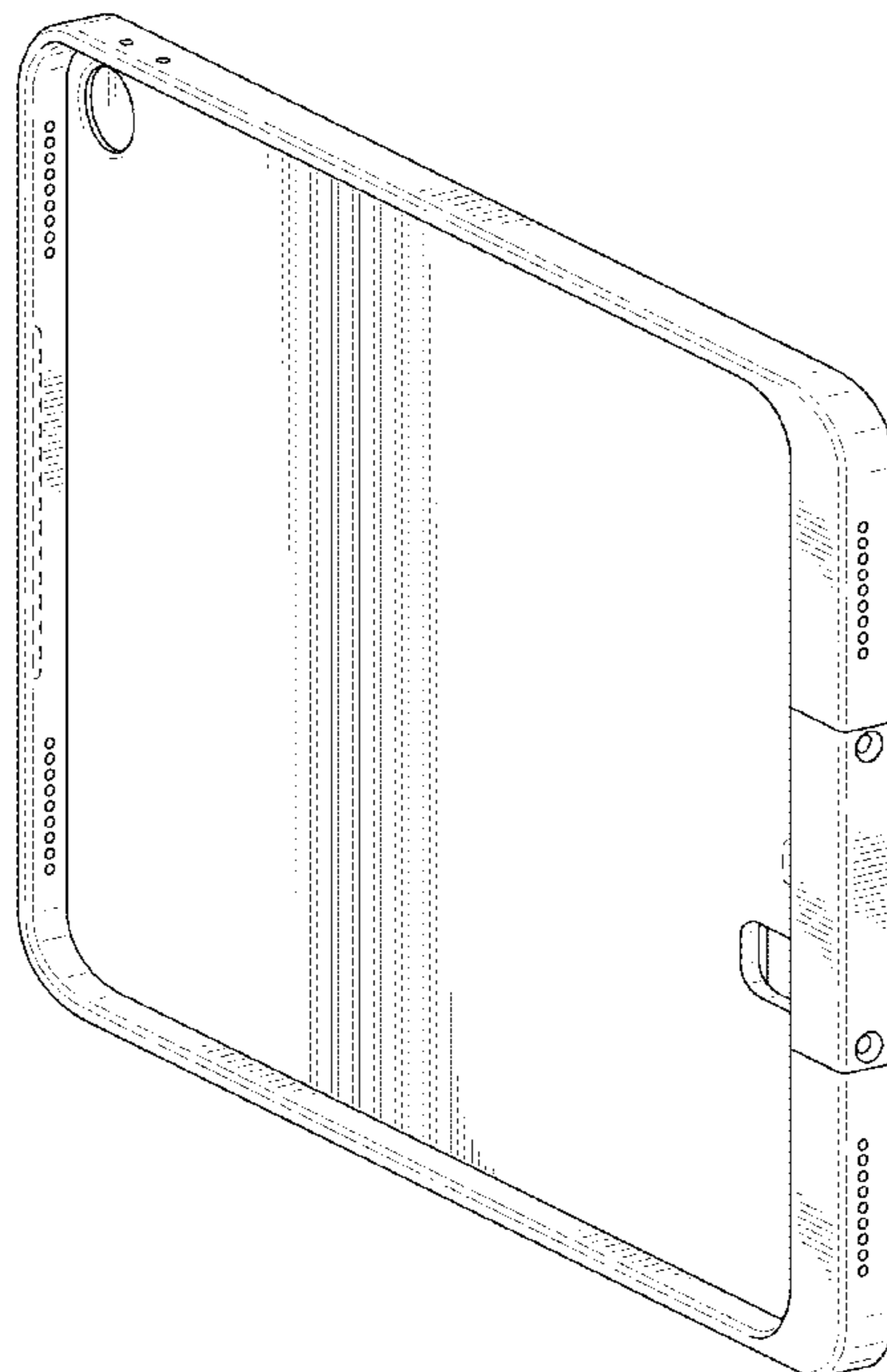
FIG. 5 is a right side view of the holder for electronic devices of FIG. 1.

FIG. 6 is a top view of the holder for electronic devices of FIG. 1; and,

FIG. 7 is a bottom view of the holder for electronic devices of FIG. 1.

The dashed lines illustrate environment that does not form a part of the present invention, and no claim is made to the material illustrated with dashed lines.

1 Claim, 7 Drawing Sheets



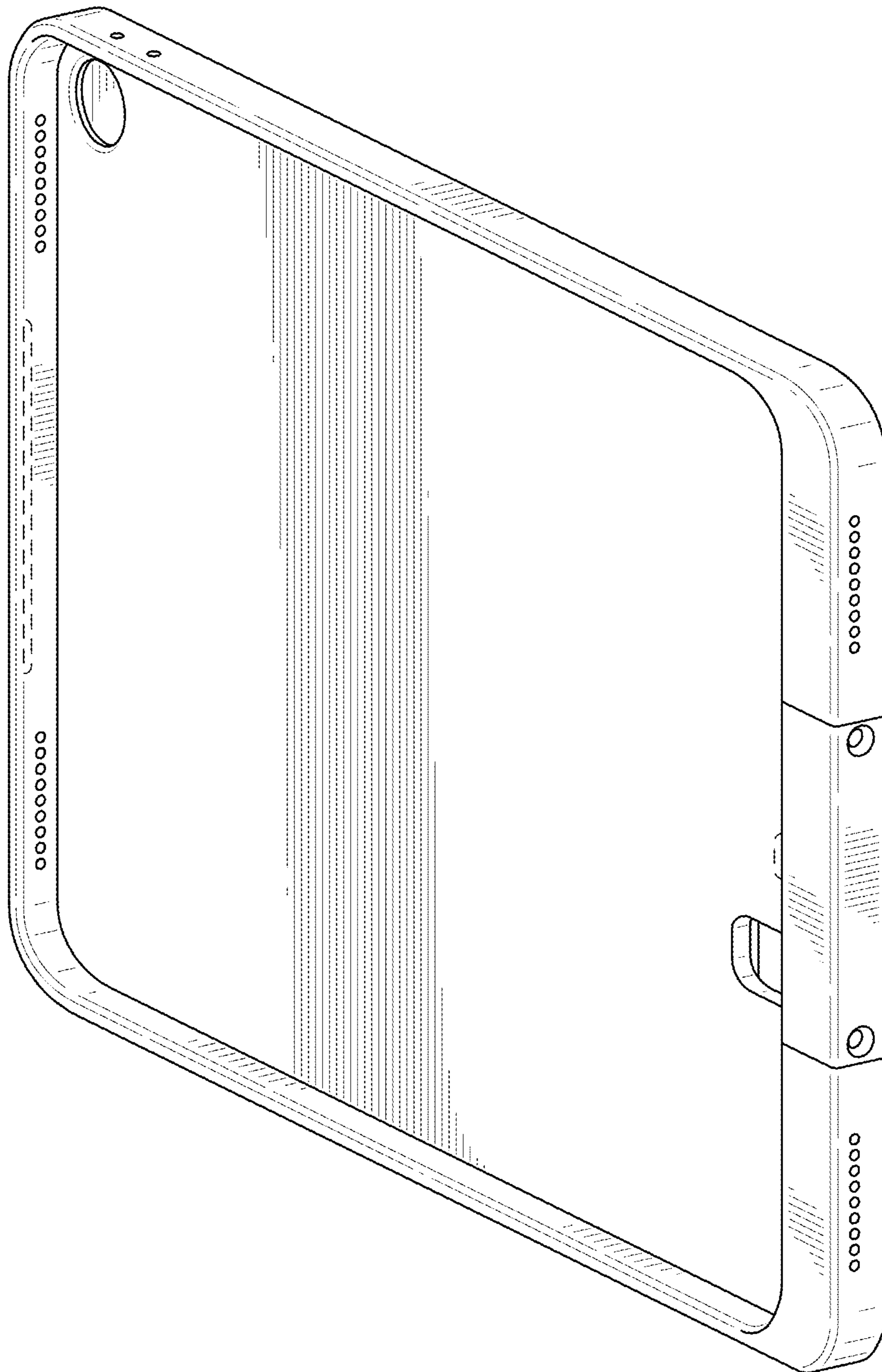


FIG.1

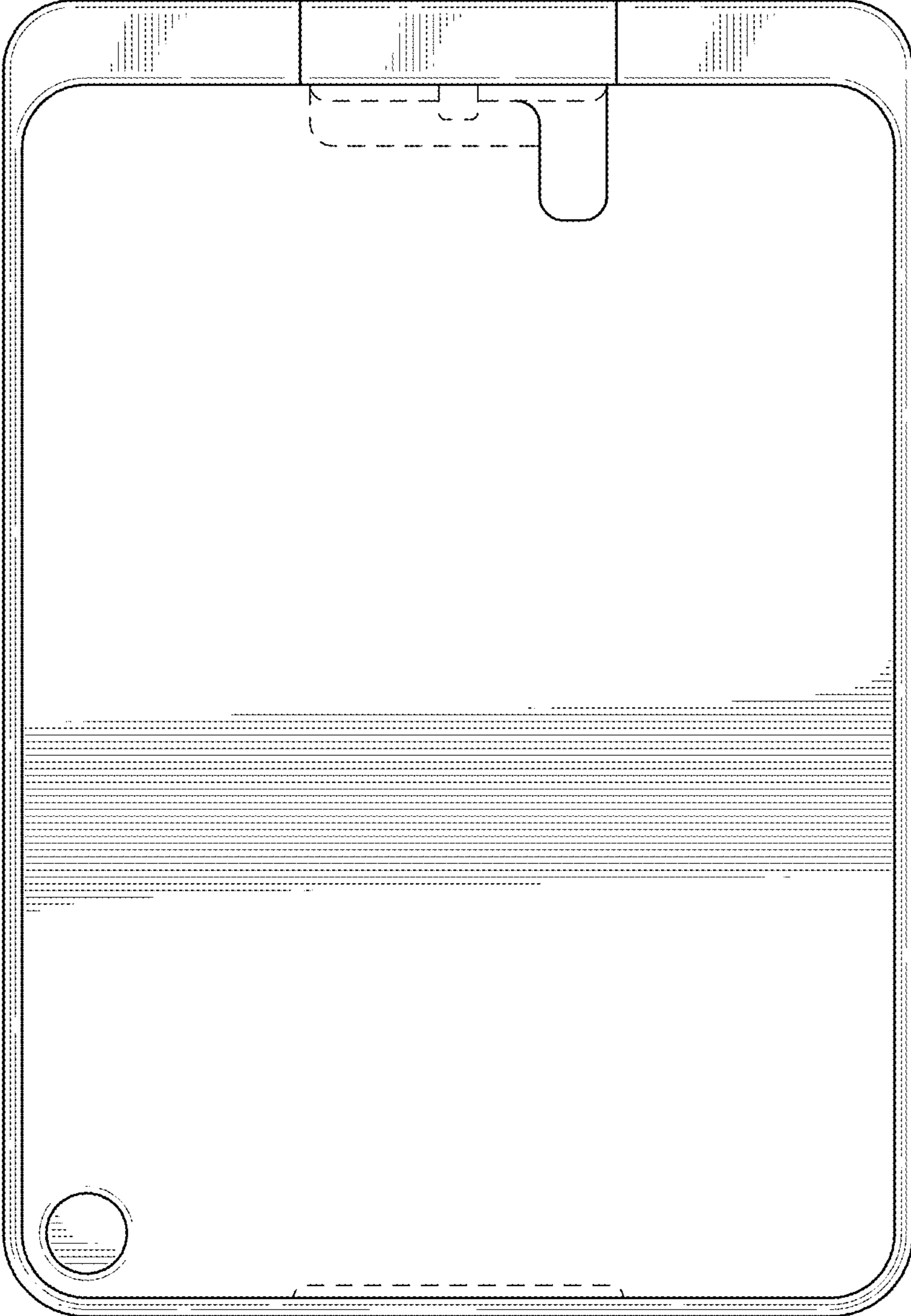


FIG.2

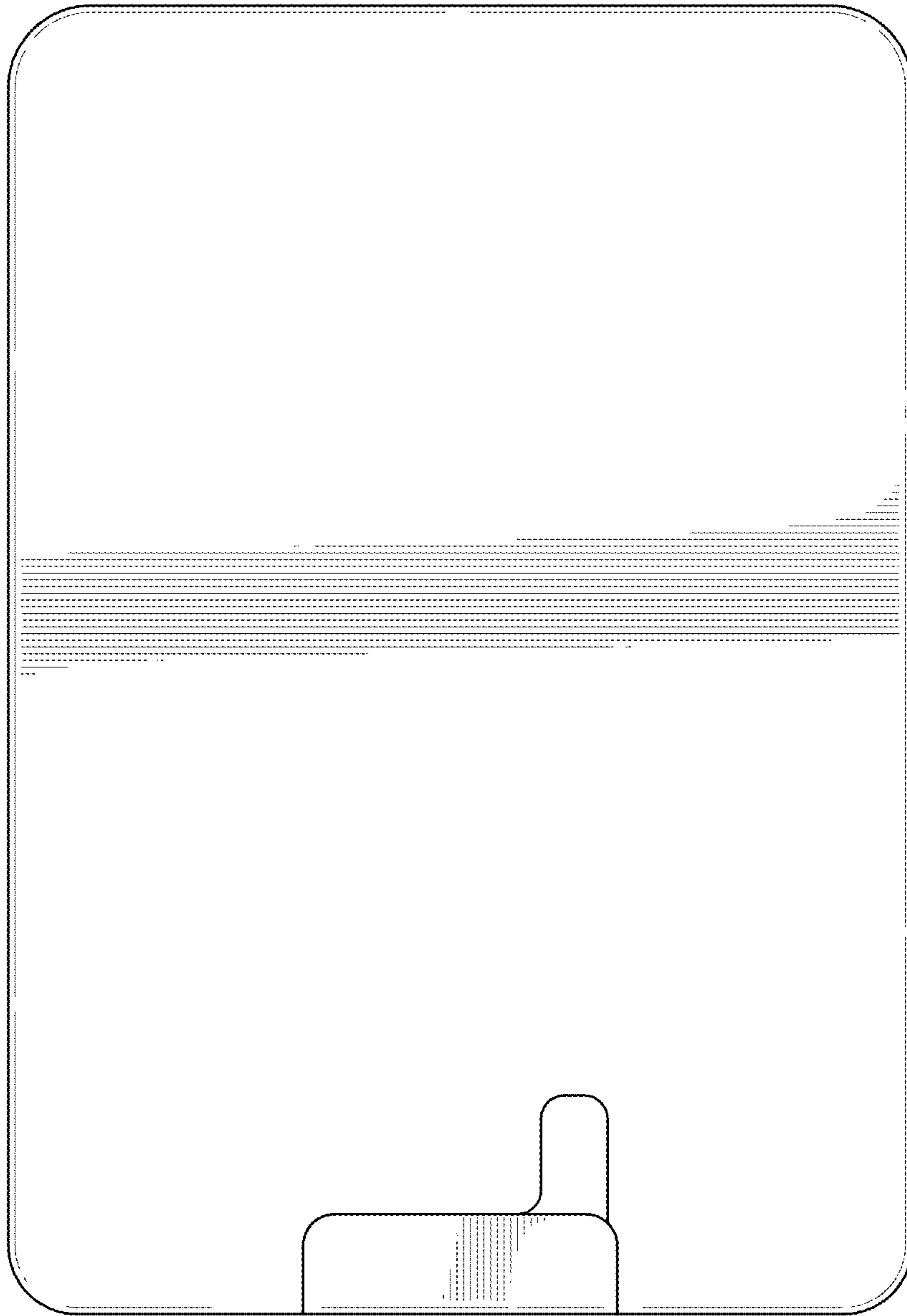


FIG. 3



FIG.4



FIG.5

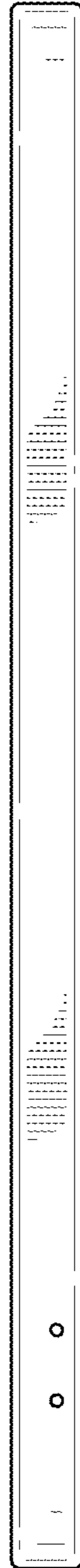


FIG.6



FIG. 7