



US00D986249S

(12) **United States Design Patent**
Cinar et al.

(10) **Patent No.:** **US D986,249 S**

(45) **Date of Patent:** **** May 16, 2023**

(54) **SOLID STATE DRIVE MEMORY DEVICE**

(71) Applicant: **SAMSUNG ELECTRONICS CO., LTD.**, Suwon-si (KR)

(72) Inventors: **Yusuf Cinar**, Suwon-si (KR); **Jae Hong Park**, Suwon-si (KR); **Han Hong Lee**, Suwon-si (KR); **Seon Gyun Baek**, Suwon-si (KR); **Won-Gi Hong**, Suwon-si (KR)

(73) Assignee: **SAMSUNG ELECTRONICS CO., LTD.**, Suwon-si (KR)

(**) Term: **15 Years**

(21) Appl. No.: **29/805,777**

(22) Filed: **Aug. 30, 2021**

(51) **LOC (14) Cl.** **14-02**

(52) **U.S. Cl.**
USPC **D14/435**

(58) **Field of Classification Search**
USPC D13/103, 107, 177, 179, 184; D14/301, D14/356, 432, 434, 435, 436, 437, 438, D14/363, 365, 474, 480, 1, 484.1
CPC G06F 1/1658; G06F 1/1684; G06F 1/185; G06F 1/187; G06F 1/186; G06K 19/04; G06K 19/041; G06K 19/07728; G06K 19/07732; G06K 19/07747; G06K 19/077; G06K 19/0772; G11B 2220/60; H01L 23/34; H05K 5/03; H05K 5/04; H05K 5/06; H05K 5/061; H05K 5/0214; H05K 5/0086; H05K 5/0256; H05K 5/026; H05K 5/0269; H05K 5/0278; H05K 5/0243; H05K 5/0004; H05K 5/0008; H05K 5/0039; H05K 5/0043; H05K 5/0047; G11C 5/00

See application file for complete search history.

(56) **References Cited**

U.S. PATENT DOCUMENTS

D327,071 S * 6/1992 Derbyshire D14/256
D345,959 S * 4/1994 Cooper D13/110

D348,247 S * 6/1994 Cooper D13/110
D384,648 S * 10/1997 Seirio D13/181
D400,512 S * 11/1998 Korhonen D13/184
6,128,194 A * 10/2000 Francis H05K 5/0269
361/752
D486,154 S * 2/2004 Nishio D14/474
D768,134 S * 10/2016 Andre D14/436
D813,807 S * 3/2018 Spiegel D13/110
D826,944 S * 8/2018 Lim D14/435
D826,945 S * 8/2018 Lim D14/435
D888,000 S * 6/2020 Lim D13/184

(Continued)

FOREIGN PATENT DOCUMENTS

CN 115440673 A * 12/2022 H05K 1/181
EP 1494518 A1 * 1/2005 H05K 5/0008
KR 20170000709 A * 1/2017

Primary Examiner — Marie D. Fast Horse

Assistant Examiner — Josiah D. Parsons

(74) *Attorney, Agent, or Firm* — Sughrue Mion, PLLC

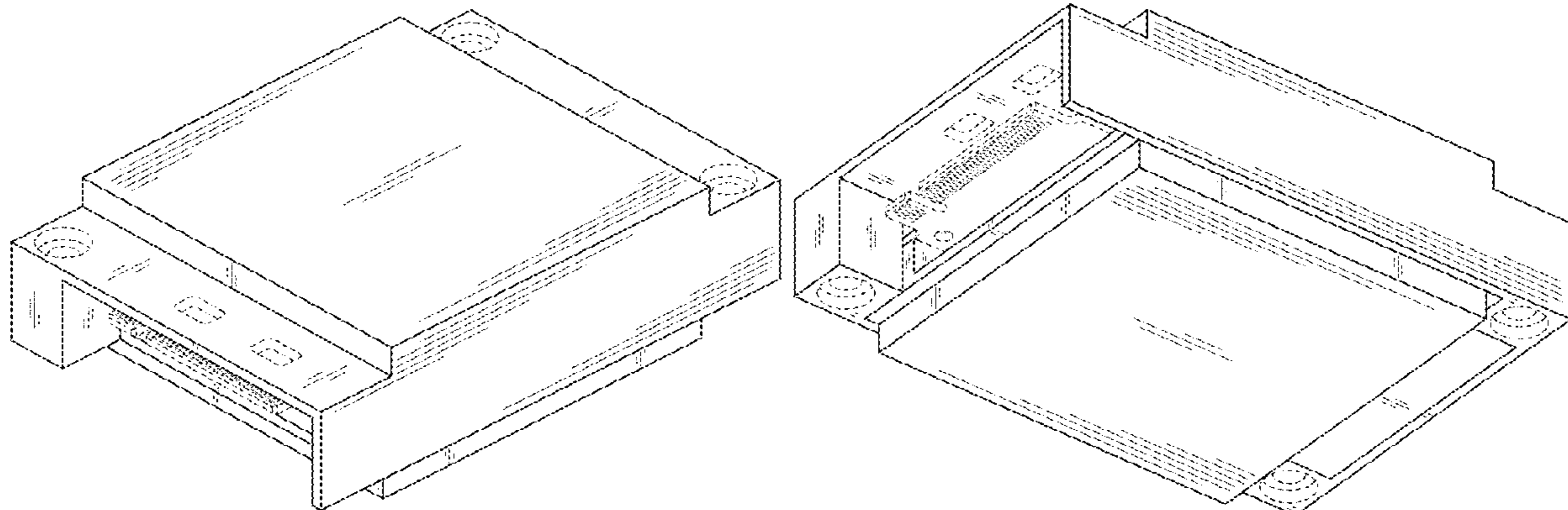
(57) **CLAIM**

The ornamental design for a solid state drive memory device, as shown and described.

DESCRIPTION

FIG. 1 is a front perspective view of a solid state drive memory device showing our new design;
FIG. 2 is a front view thereof;
FIG. 3 is a rear view thereof;
FIG. 4 is a left-side view thereof;
FIG. 5 is a right-side view thereof;
FIG. 6 is a top plan view thereof;
FIG. 7 is a bottom plan view thereof; and,
FIG. 8 is a bottom perspective view thereof.
The evenly dashed broken lines in the figures depict portions of the solid state drive memory device that form no part of the claimed design.

1 Claim, 8 Drawing Sheets



(56)

References Cited

U.S. PATENT DOCUMENTS

D896,230 S * 9/2020 Jun D14/435
D910,465 S * 2/2021 Lindeman D10/49
D943,586 S * 2/2022 Jun D14/435
D967,823 S * 10/2022 Crisp D14/435
2012/0250279 A1 * 10/2012 Harashima H05K 1/144
361/760
2018/0249585 A1 * 8/2018 Yoshida H05K 5/04
2018/0270943 A1 * 9/2018 Suzuki G06F 1/187
2022/0248554 A1 * 8/2022 Suzuki G06F 1/187
2022/0394862 A1 * 12/2022 Okubo H05K 5/0026

* cited by examiner

FIG. 1

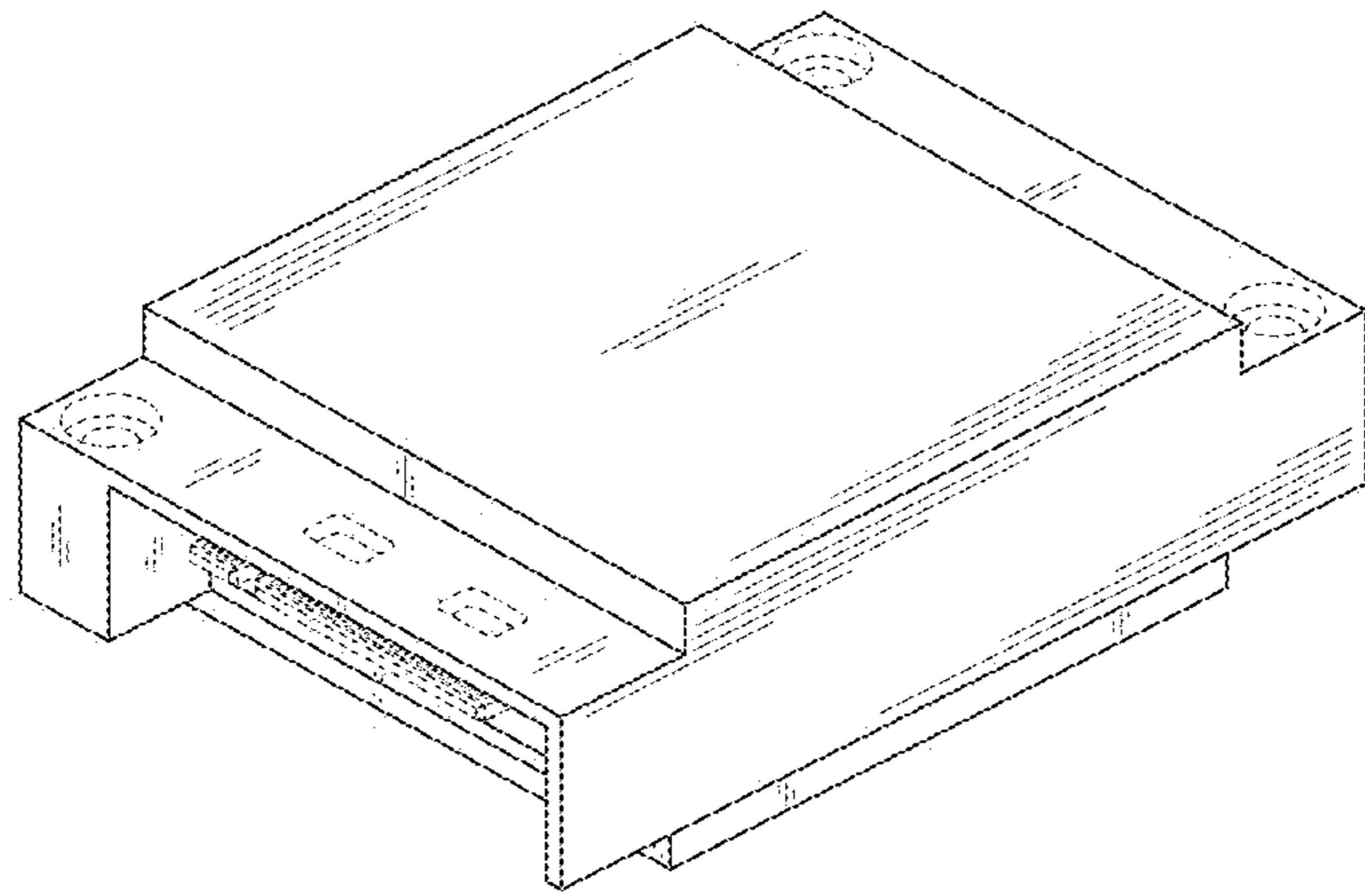


FIG. 2

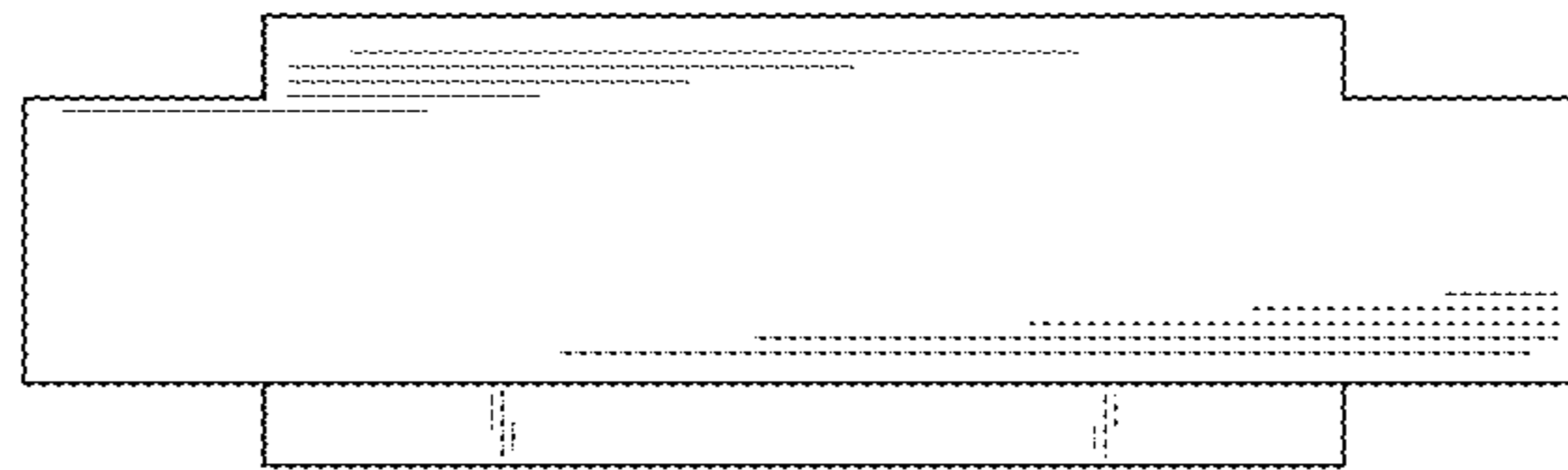


FIG. 3

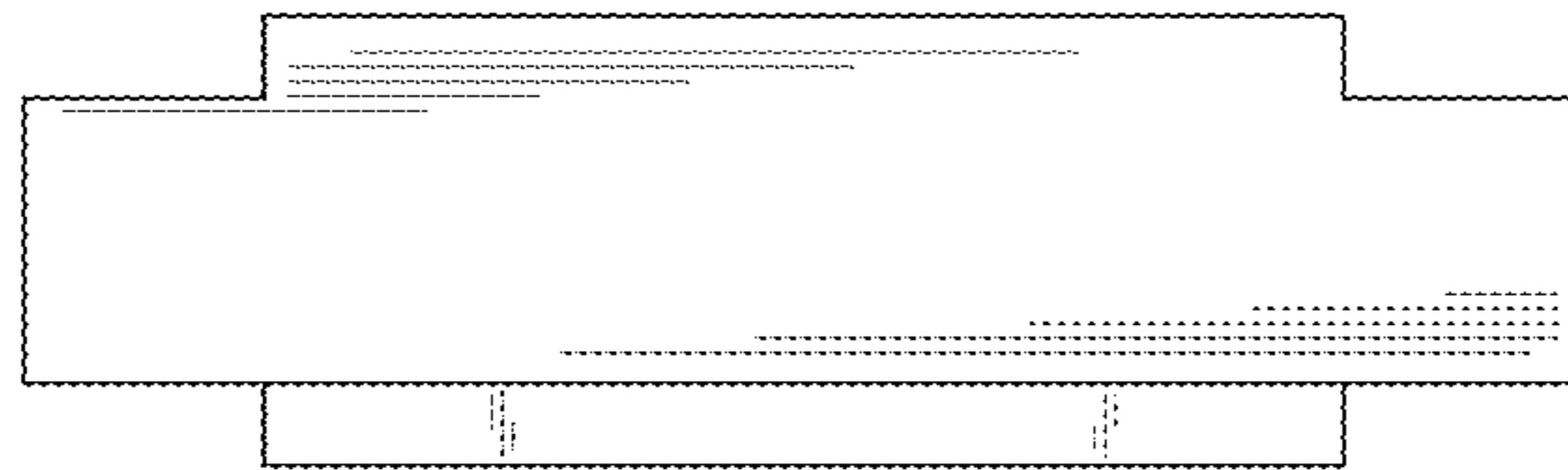


FIG. 4

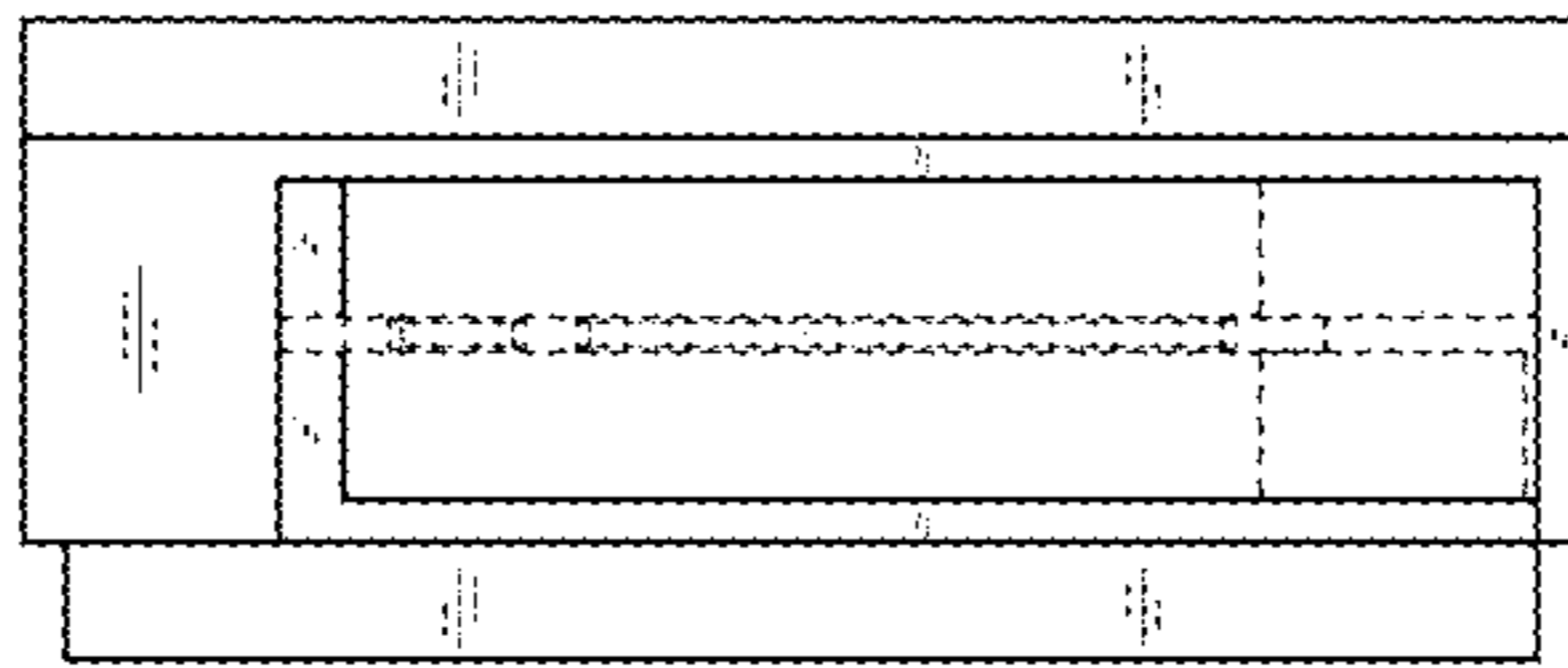


FIG. 5

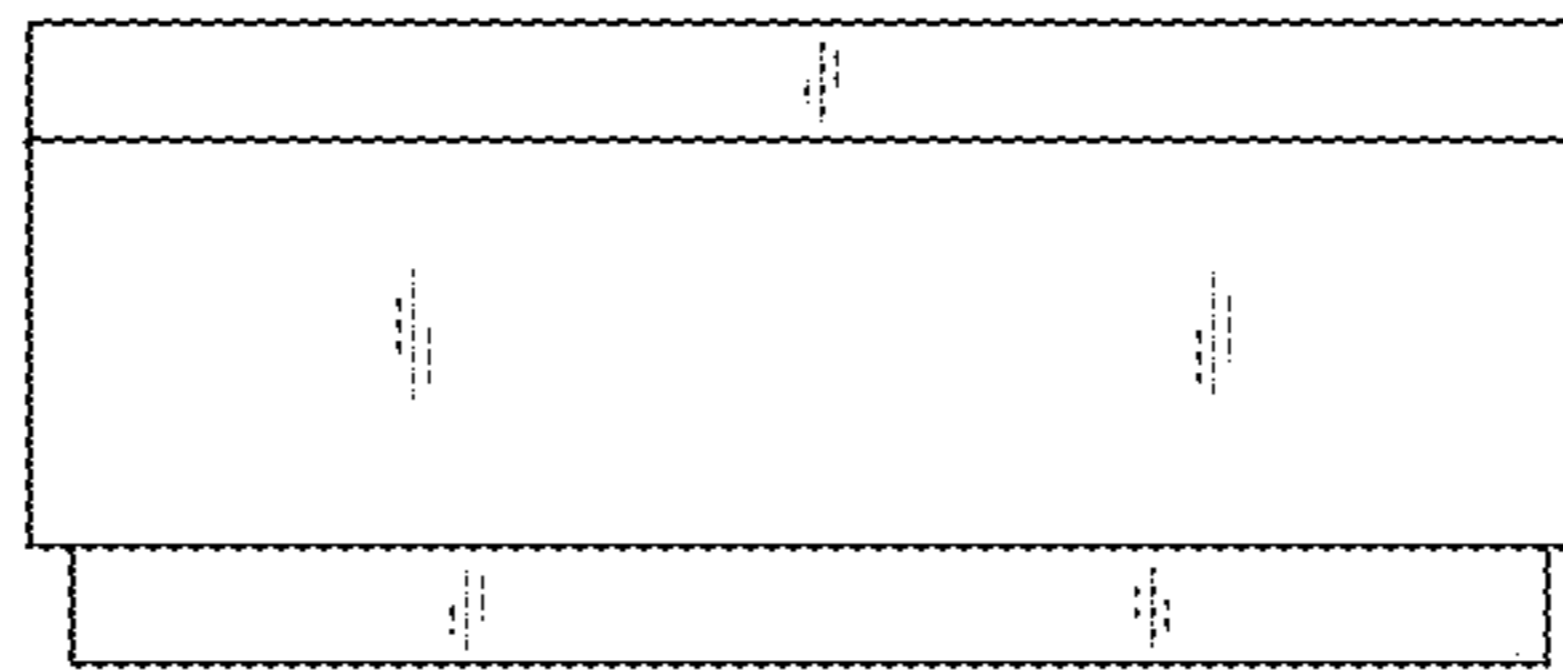


FIG. 6

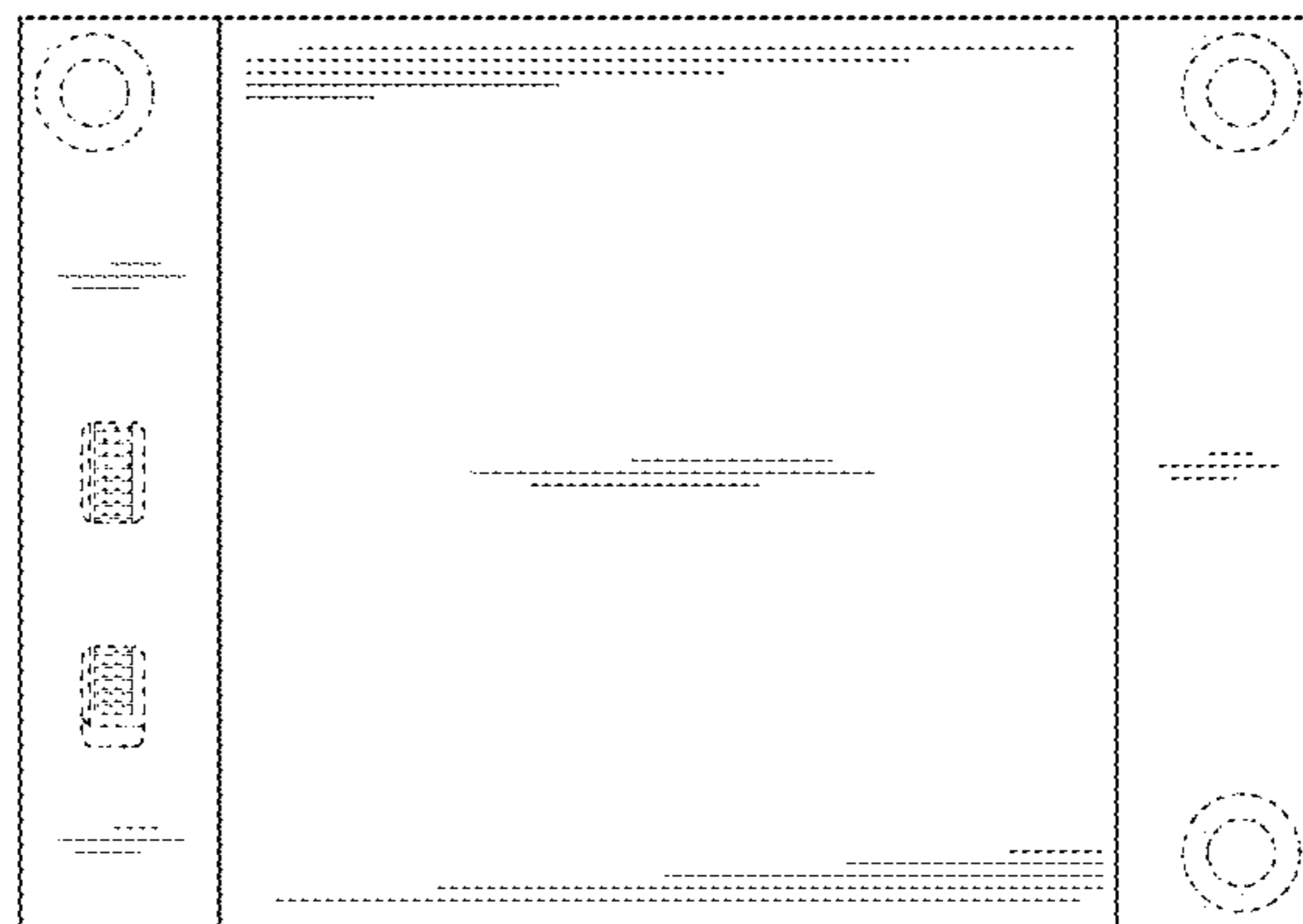


FIG. 7

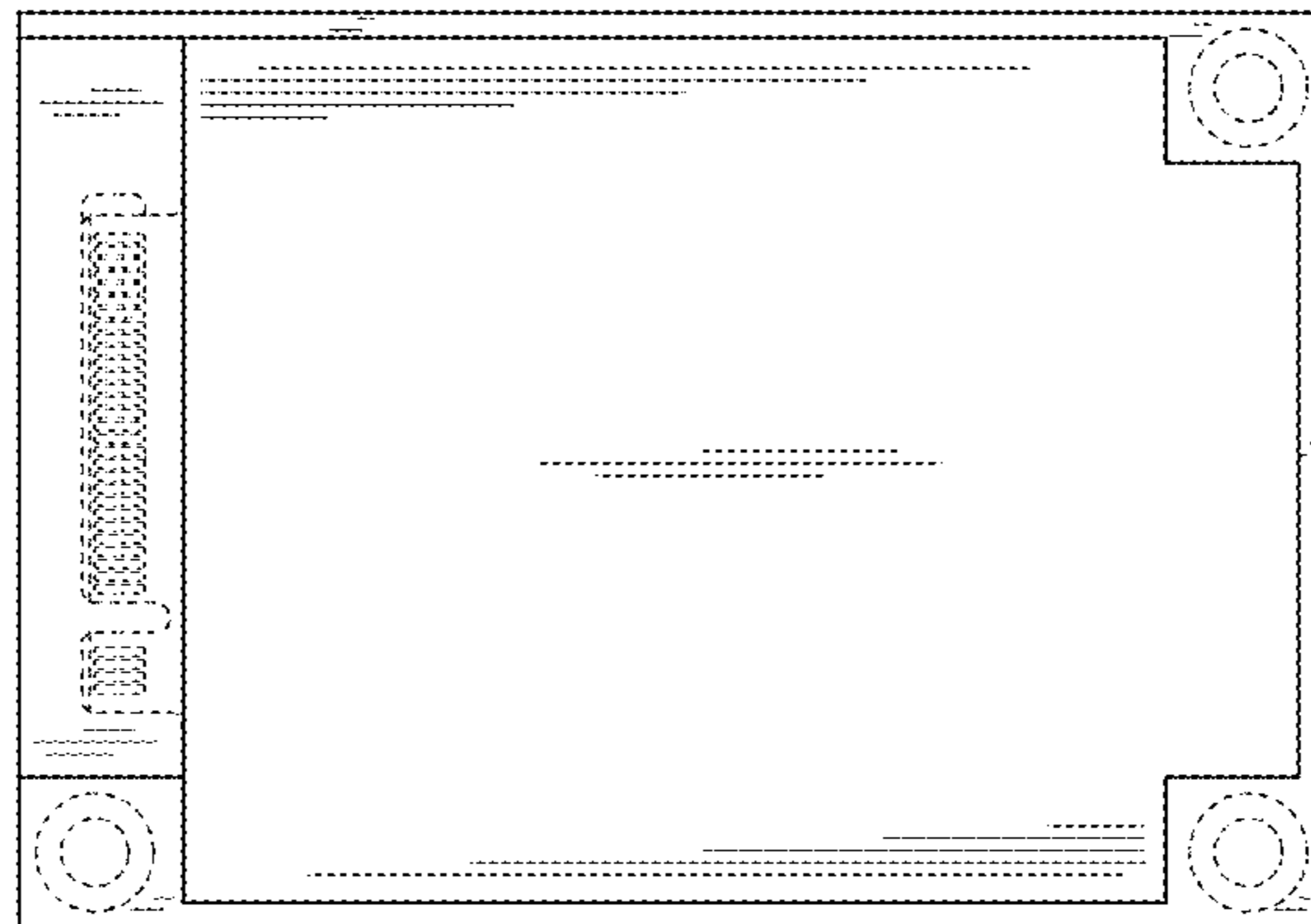


FIG. 8

