



US00D986243S

(12) **United States Design Patent** (10) **Patent No.:** **US D986,243 S**
Roig et al. (45) **Date of Patent:** **** May 16, 2023**

(54) **HEADSET STRAP**

(71) Applicant: **Meta Platforms Technologies, LLC**,
Menlo Park, CA (US)
(72) Inventors: **Enric Vial Roig**, Seattle, WA (US);
Mauricio Romano, Redmond, WA
(US); **David Michael Pickett**, Seattle,
WA (US); **Peter Allan Chase**
Newbury, Burlington, WA (US);
Quintin Morris, Seattle, WA (US);
Peter Wesley Bristol, Seattle, WA
(US); **Joseph Patrick Sullivan**, Seattle,
WA (US); **Glen Jason Tompkins**,
Woodinville, WA (US); **Joel Bernard**
Jacobs, Seattle, WA (US)
(73) Assignee: **Meta Platforms Technologies, LLC**,
Menlo Park, CA (US)

(**) Term: **15 Years**

(21) Appl. No.: **29/843,775**

(22) Filed: **Jun. 23, 2022**

Related U.S. Application Data

(63) Continuation of application No. 29/826,008, filed on
Feb. 8, 2022, now Pat. No. Des. 957,392, which is a
continuation of application No. 29/754,281, filed on
Oct. 8, 2020, now Pat. No. Des. 968,402.

(51) **LOC (14) Cl.** **14-02**

(52) **U.S. Cl.**
USPC **D14/372**

(58) **Field of Classification Search**
USPC D14/372, 496, 432, 371, 125, 126, 129,
D14/299; D16/300-342; 351/158, 153,
351/144; 345/7-9, 905; 455/344;
348/115, 53, 121, 739
CPC G02B 27/017; G02B 27/0158; G02B
27/0161; G02B 27/0181; G02B 27/0185;
G02B 27/0189

See application file for complete search history.

(56) **References Cited**

U.S. PATENT DOCUMENTS

3,892,792 A 7/1975 Yankee
3,893,478 A 7/1975 Peters
D398,403 S 9/1998 Bishop et al.
(Continued)

FOREIGN PATENT DOCUMENTS

EP 2937005 B1 1/2018
WO 2020021951 A1 1/2020

OTHER PUBLICATIONS

Barreiros J., et al., "Fabric Reinforced Soft Actuators," U.S. Appl.
No. 17/111,549, filed Dec. 4, 2020, 71 pages.
(Continued)

Primary Examiner — Austin Murphy
(74) *Attorney, Agent, or Firm* — Greenberg Traurig, LLP

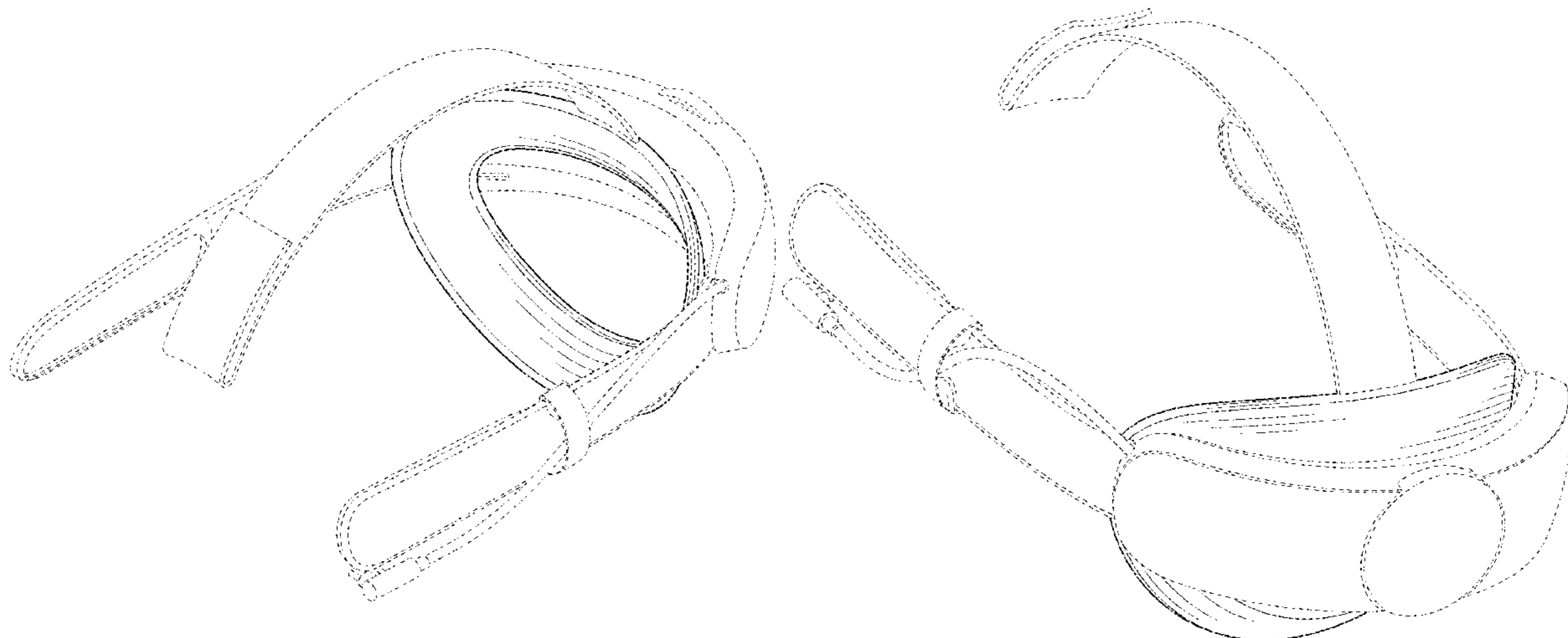
(57) **CLAIM**

The ornamental design for a headset strap, as shown and
described.

DESCRIPTION

FIG. 1 is a front perspective view of a headset strap showing
the claimed design;
FIG. 2 is a rear perspective view thereof;
FIG. 3 is a front view thereof;
FIG. 4 is a rear view thereof;
FIG. 5 is a top view thereof;
FIG. 6 is a bottom view thereof;
FIG. 7 is a left side view thereof; and,
FIG. 8 is a right side view thereof.
The broken lines shown in the figures illustrate portions of
the headset strap that form no part of the claimed design.

1 Claim, 7 Drawing Sheets



(56)

References Cited

U.S. PATENT DOCUMENTS

9,385,396 B2 7/2016 Goh et al.
 D778,909 S 2/2017 Nokuo
 D780,753 S 3/2017 Park et al.
 D809,517 S 2/2018 Sakata et al.
 D823,855 S 7/2018 Robertson et al.
 D827,642 S 9/2018 Liu et al.
 D829,208 S 9/2018 Dallmeyer et al.
 D834,016 S 11/2018 Raffle et al.
 10,146,262 B1 12/2018 Magrath et al.
 D838,719 S 1/2019 Wei et al.
 10,297,868 B2 5/2019 Choi et al.
 D861,680 S 10/2019 Chou et al.
 D863,300 S 10/2019 Boger et al.
 D865,764 S 11/2019 Miller et al.
 D867,362 S 11/2019 Chou et al.
 D869,464 S 12/2019 Chang et al.
 D870,977 S 12/2019 Berggren et al.
 D872,079 S 1/2020 Huang et al.
 D875,093 S 2/2020 Park
 D875,094 S 2/2020 Miller et al.
 D882,568 S 4/2020 Park
 D882,569 S 4/2020 Tsao
 D883,280 S 5/2020 Shao et al.
 D885,383 S * 5/2020 Chang D14/372
 10,663,737 B1 5/2020 Magrath et al.
 D889,464 S 7/2020 Wang et al.
 D892,792 S 8/2020 Miller et al.
 D893,478 S 8/2020 Watanabe et al.
 D896,221 S 9/2020 Lee et al.
 D898,025 S * 10/2020 Bhat D14/372
 D898,738 S 10/2020 Denhez et al.
 D900,095 S 10/2020 Wang et al.
 D900,099 S 10/2020 Park
 D900,435 S 11/2020 Huang et al.
 D904,402 S * 12/2020 Marquis D14/372
 D905,055 S 12/2020 Shao et al.
 D910,014 S 2/2021 Amijo et al.
 D910,015 S 2/2021 Amijo et al.
 D910,018 S 2/2021 Amijo et al.
 D912,048 S 3/2021 Wei et al.
 D916,086 S * 4/2021 Zhang D14/372
 D916,702 S 4/2021 Newsom et al.
 D917,476 S 4/2021 Zhang et al.
 D918,203 S 5/2021 Chen
 D918,864 S * 5/2021 Bulte D14/205
 D918,904 S 5/2021 Jackson et al.
 D920,974 S * 6/2021 Chi D14/372
 D924,234 S 7/2021 Meng
 D925,528 S 7/2021 Bristol et al.
 D925,529 S 7/2021 Morris et al.
 D925,530 S * 7/2021 Morris D14/372
 D926,757 S 8/2021 Wang
 D927,785 S * 8/2021 Wu D29/102

D928,151 S 8/2021 Hu
 D929,401 S 8/2021 Chiang et al.
 D929,402 S 8/2021 Jiang
 D931,277 S 9/2021 Denhez et al.
 D931,278 S 9/2021 Pombo et al.
 D932,488 S * 10/2021 Huang D14/372
 D937,262 S * 11/2021 Chi D14/372
 D939,017 S * 12/2021 Liang D16/339
 D943,575 S * 2/2022 Conlee, IV D14/372
 D951,961 S 5/2022 Natsume et al.
 D953,328 S 5/2022 Forsland
 D955,386 S 6/2022 Conlee, IV et al.
 D956,747 S * 7/2022 Huang D14/372
 D957,390 S * 7/2022 Fang D14/372
 D957,391 S * 7/2022 Roig D14/372
 D957,392 S * 7/2022 Roig D14/372
 D959,427 S * 8/2022 Zhu D14/372
 D963,642 S * 9/2022 Zhu D14/372
 D963,643 S * 9/2022 Zhu D14/372
 D963,644 S * 9/2022 Zhu D14/372
 D967,820 S * 10/2022 Ren D14/372
 D968,402 S * 11/2022 Roig D14/372
 2012/0297520 A1 11/2012 Gleason et al.
 2017/0238643 A1 8/2017 Pereira et al.
 2018/0042330 A1 2/2018 Wu
 2018/0335632 A1 11/2018 Cho et al.
 2019/0339736 A1 11/2019 Chang et al.

OTHER PUBLICATIONS

Flores J.A.B., et al., "Fabric Reinforced Soft Actuators," U.S. Appl. No. 63/050,310, filed Jul. 10, 2020, 56 pages.
 Howard J., et al., "Curved Batteries, Devices, and Accessories," U.S. Appl. No. 62/901,082, filed Sep. 16, 2019, 75 pages.
 Howard J., et al., "Curved Battery-Pack Devices and Accessories," U.S. Appl. No. 16/818,614, filed Mar. 13, 2020, 117 pages.
 Howard J., et al., "Non-Uniformly Curved Batteries," U.S. Appl. No. 16/818,611, filed Mar. 13, 2020, 115 pages.
 International Search Report and Written Opinion for International Application No. PCT/US2021/044233, dated Oct. 29, 2021, 15 pages.
 Lang B., "HoloLens 2 Specs Reveal 2-3 Hour 'Active' Battery Life, Optional Top Strap, & More," Feb. 24, 2019, 5 pages, Retrieved from the Internet: URL: <https://www.roadtovr.com/hololens-2-specs-resolution-field-of-view-battery-life/>.
 "LG G Flex," Wikipedia, Nov. 12, 2013, 2 pages, Retrieved from the Internet: URL: https://en.wikipedia.org/wiki/LG_G_Flex.
 Morris Q., et al., "Head-Mounted Display," U.S. Appl. No. 29/723,785, filed Feb. 10, 2020, 23 pages.
 Roig E.V., et al., "Head Cradle for Head-Mounted Display and Related Systems and Devices," U.S. Appl. No. 63/060,716, filed Aug. 4, 2020, 65 pages.

* cited by examiner

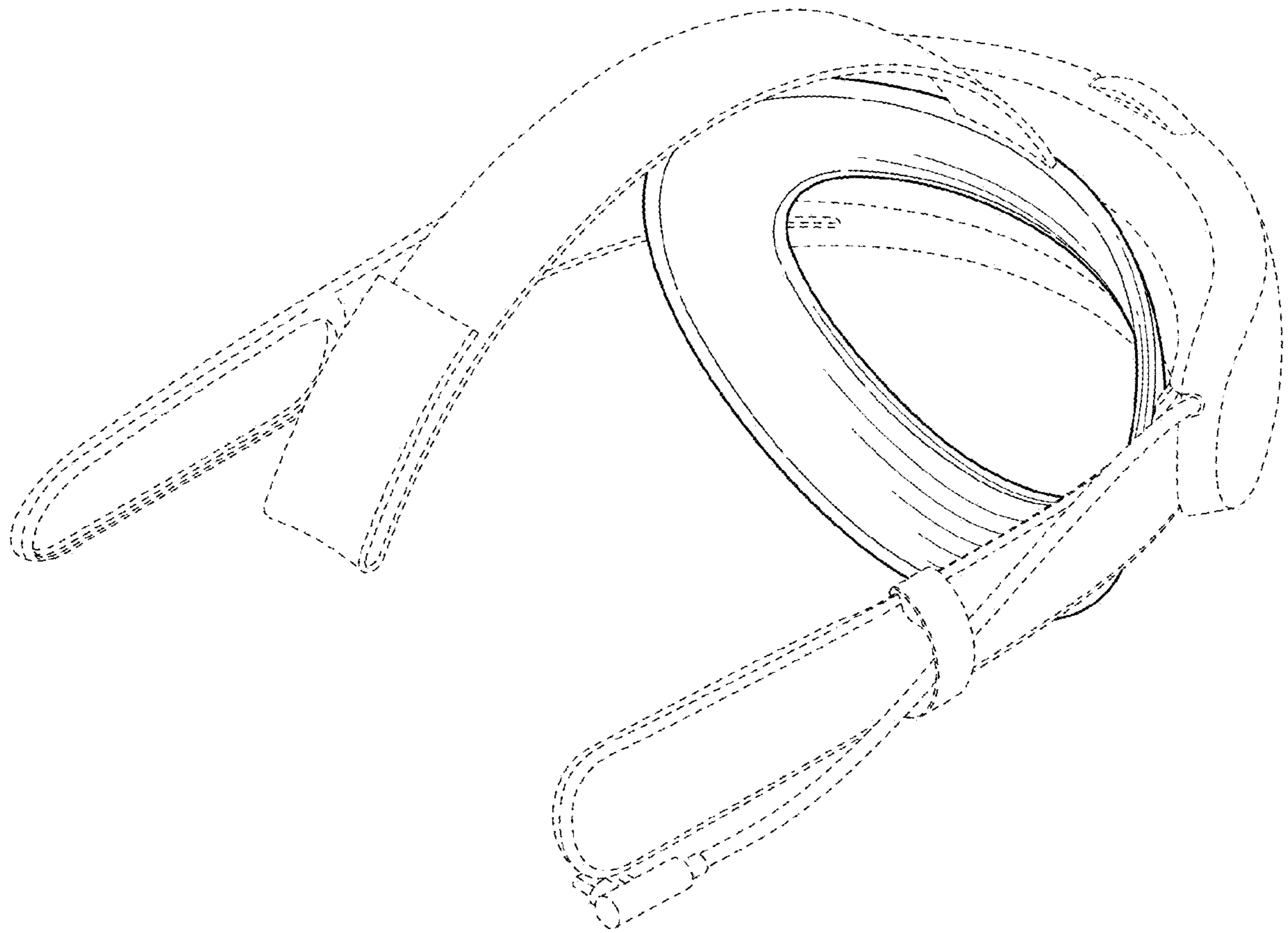


FIG. 1

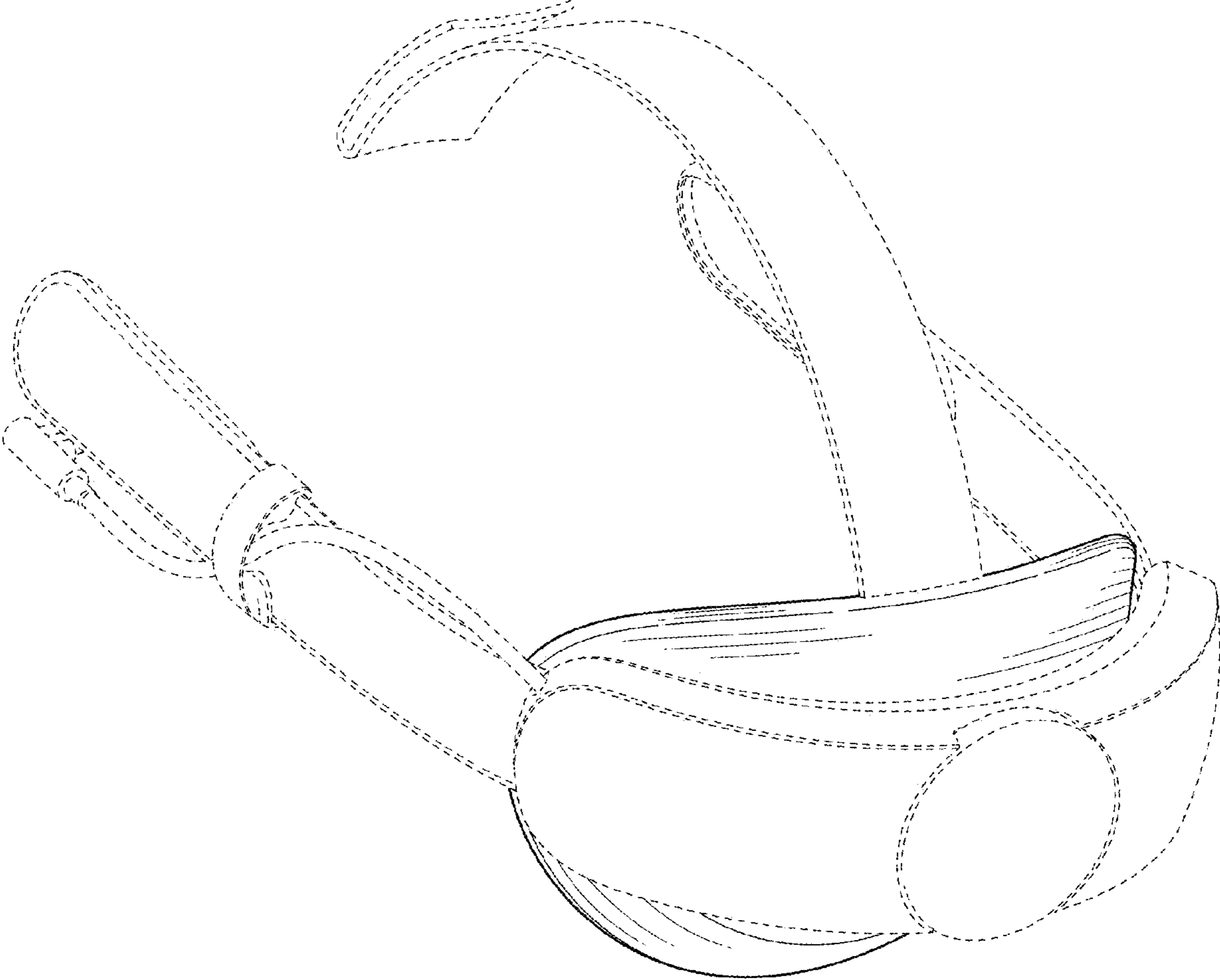


FIG. 2

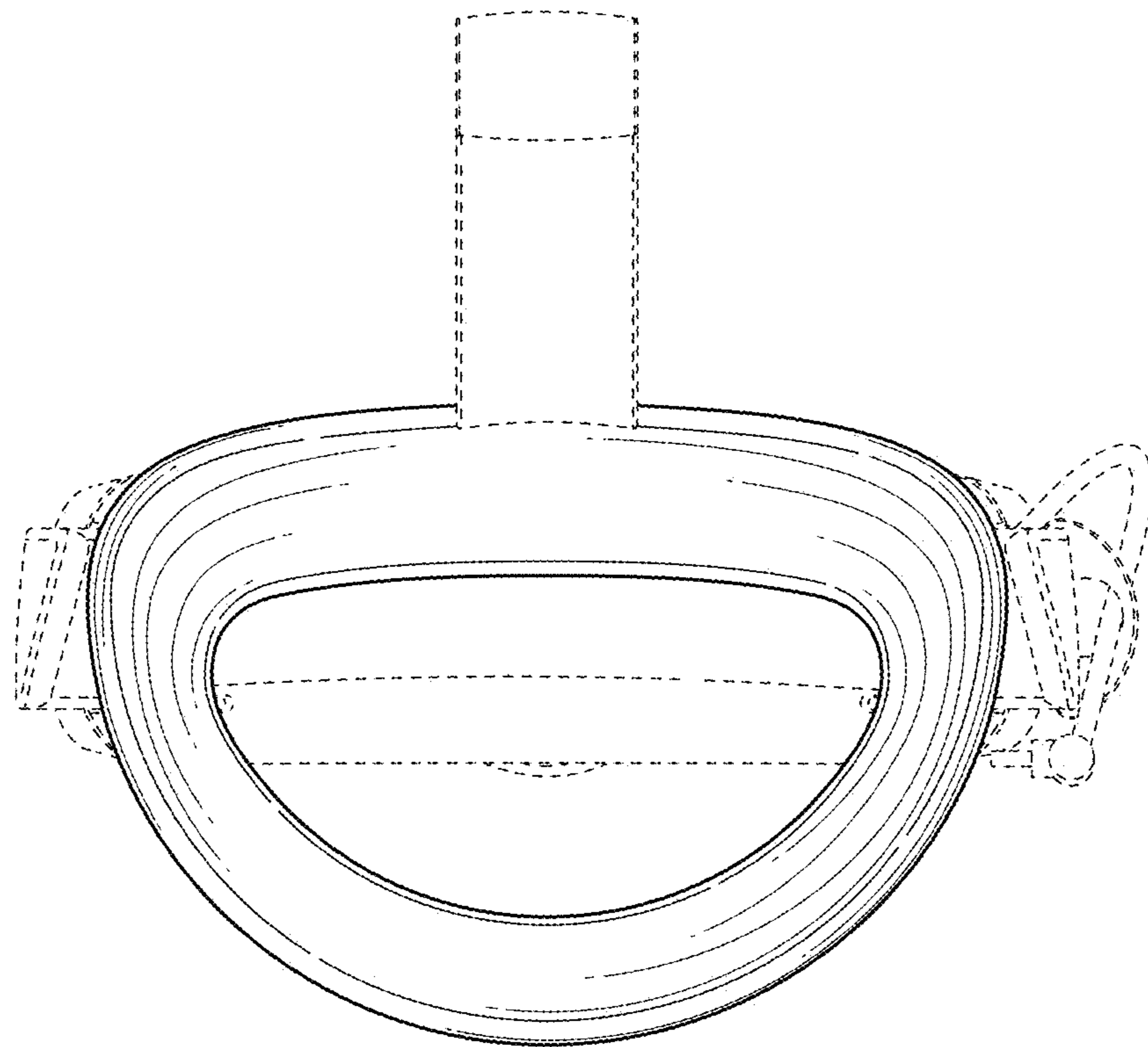


FIG. 3

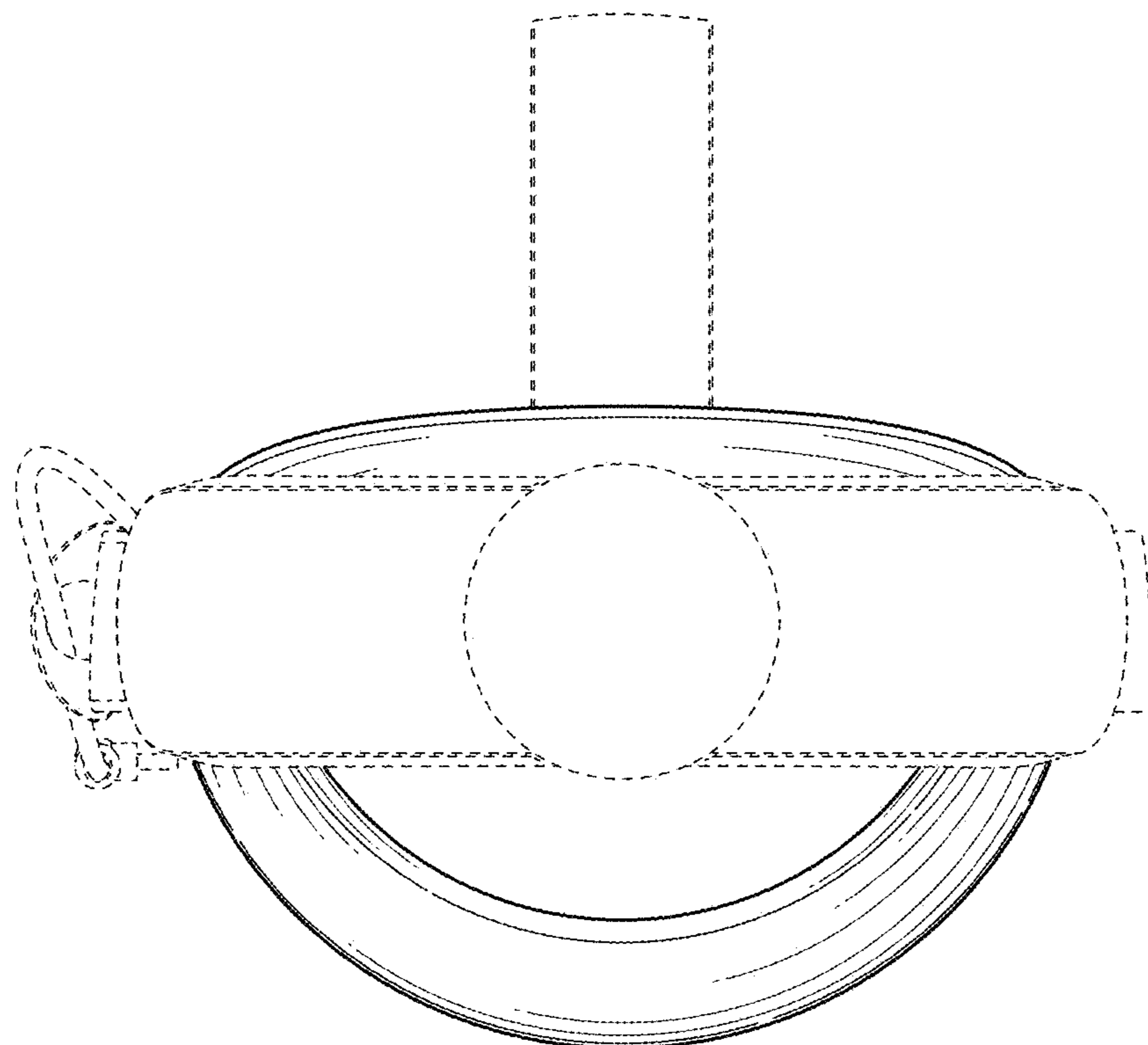


FIG. 4

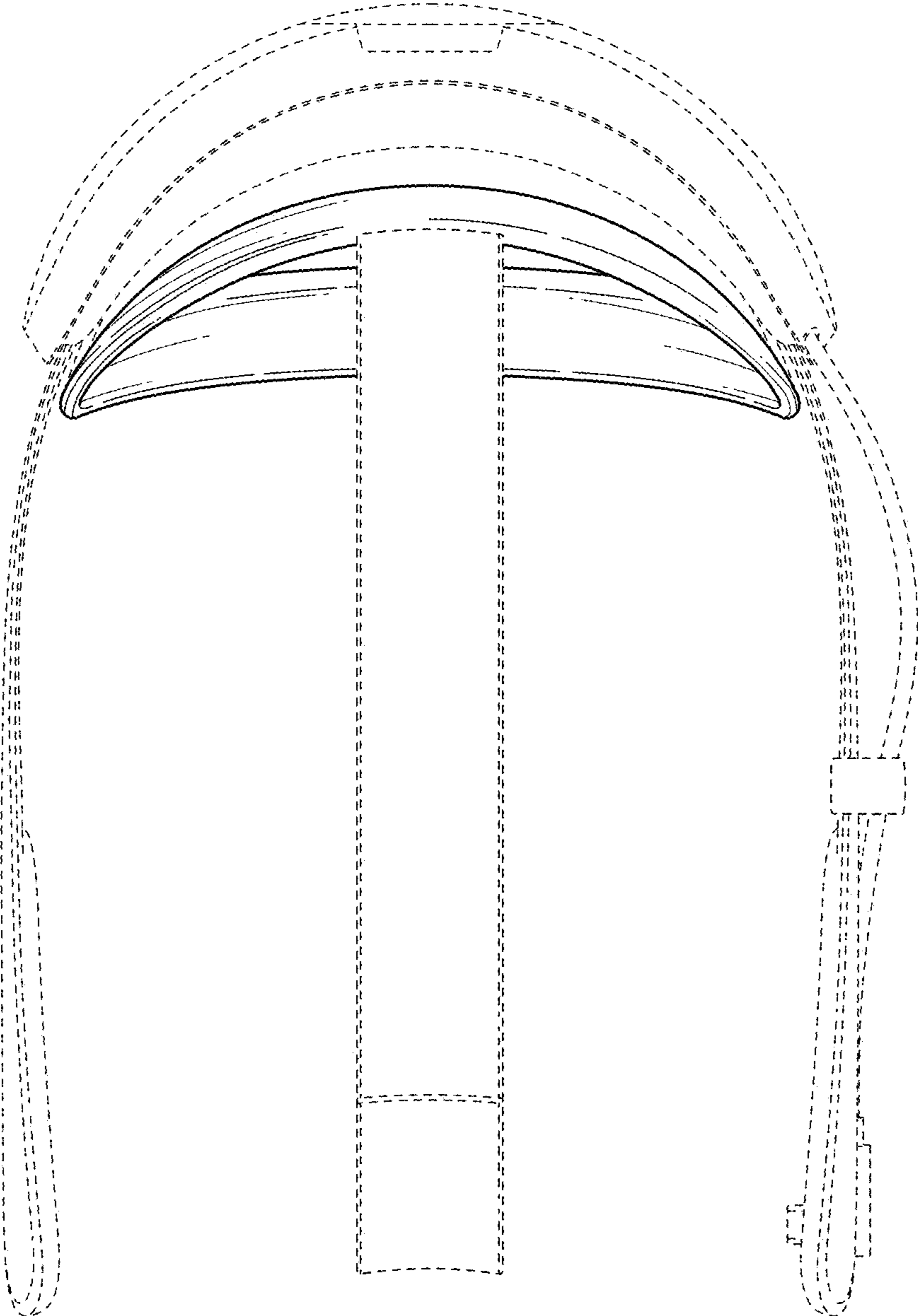


FIG. 5

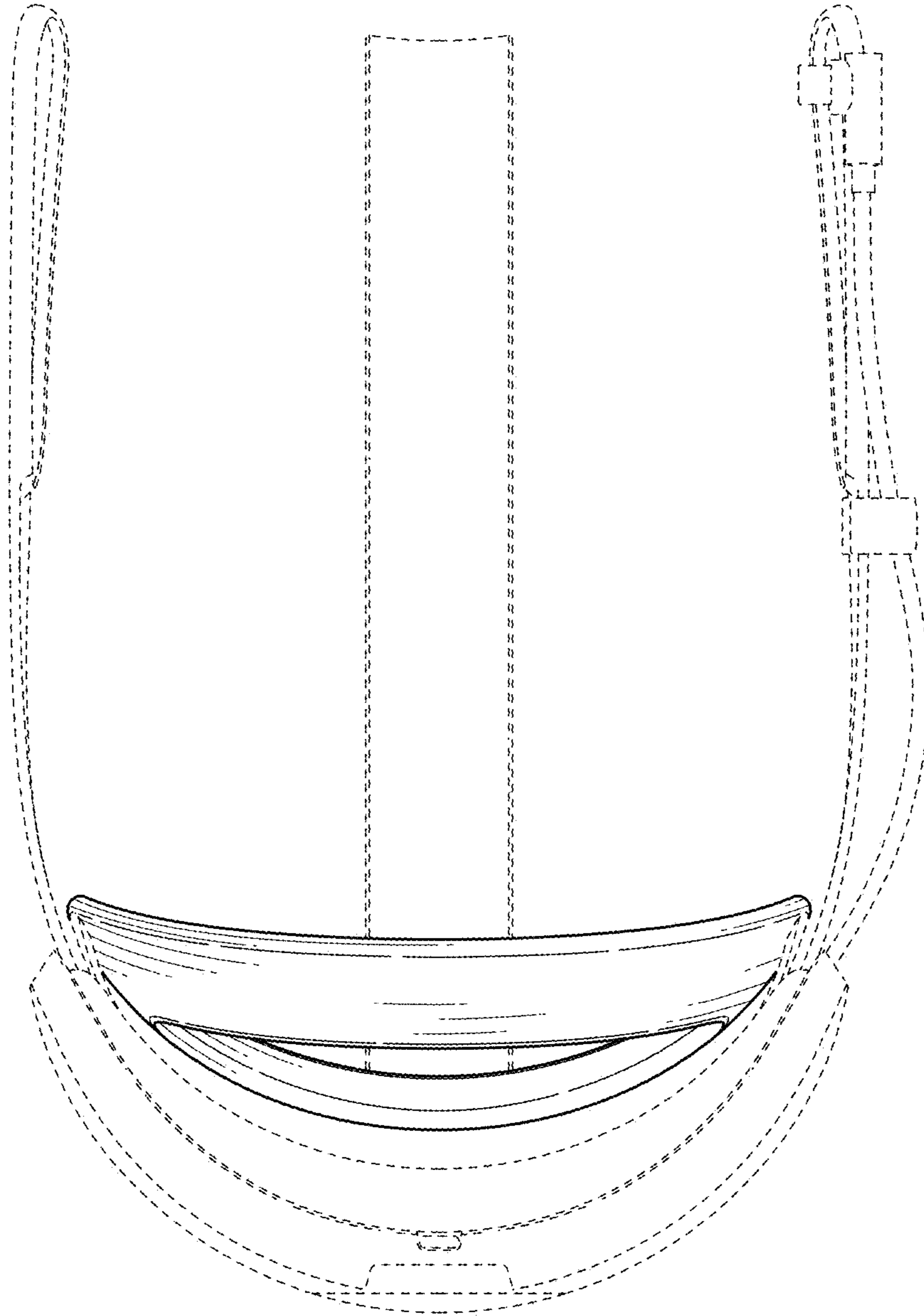


FIG. 6

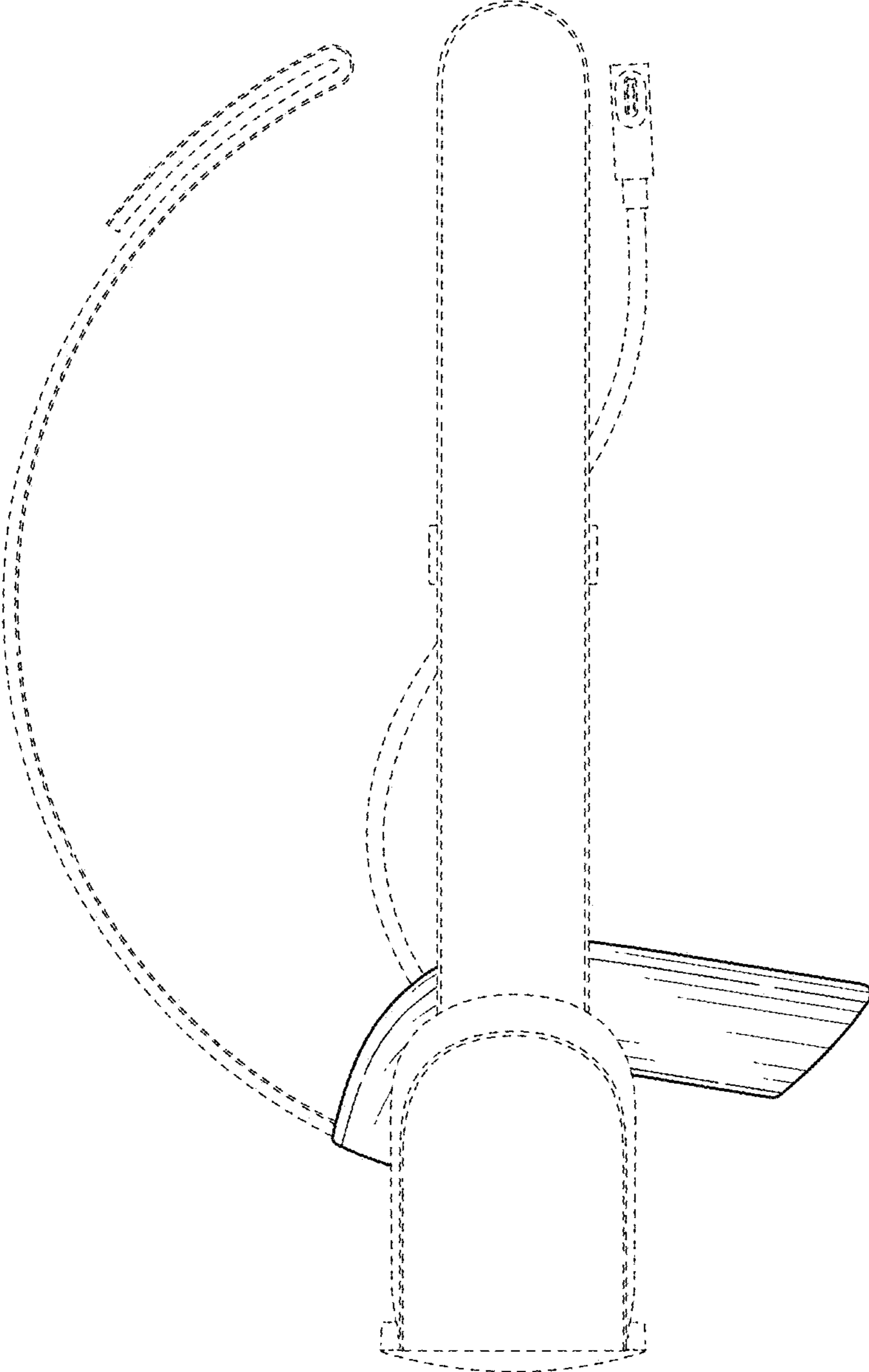


FIG. 7

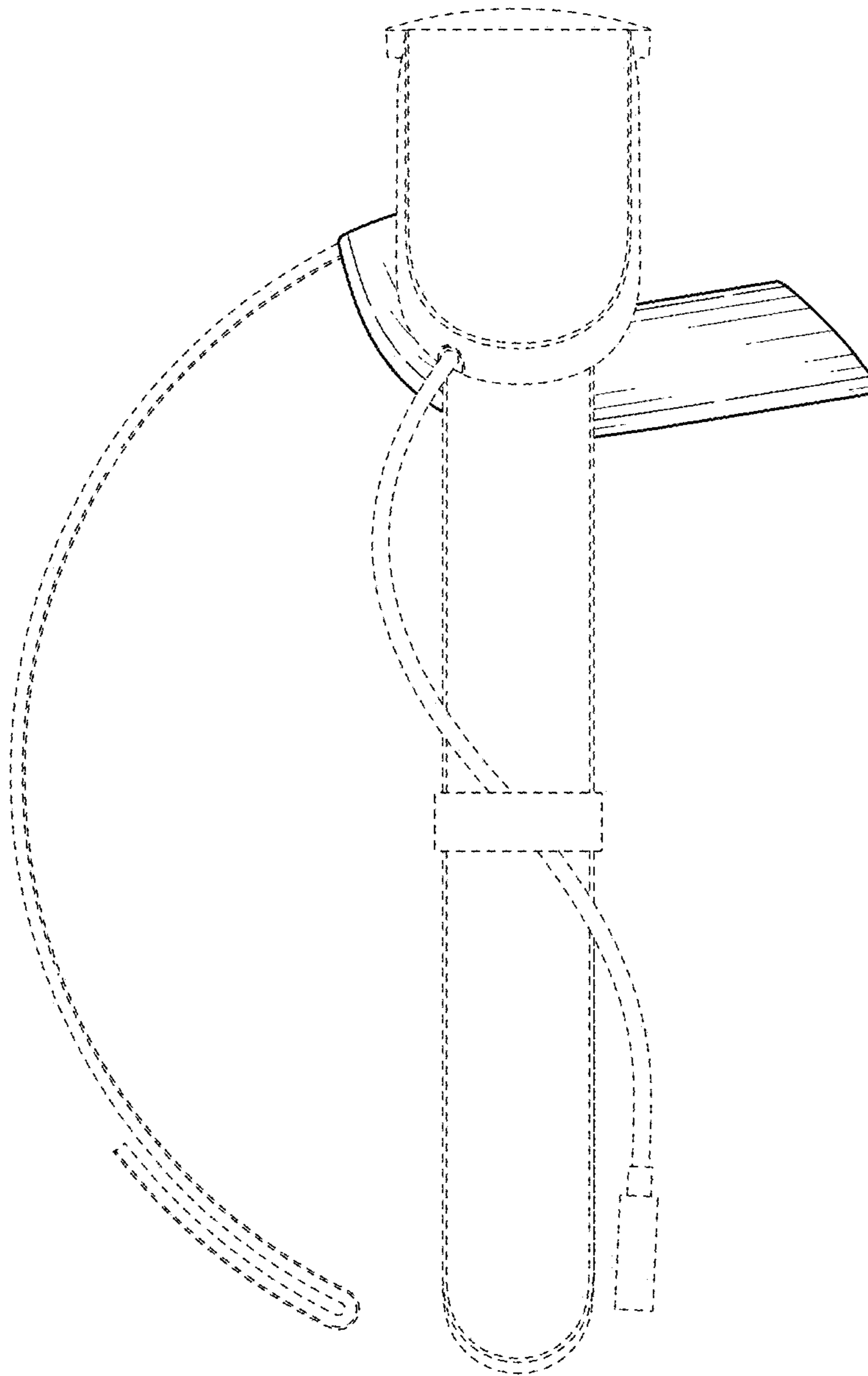


FIG. 8