



US00D986242S

(12) **United States Design Patent**
Hu

(10) **Patent No.:** **US D986,242 S**

(45) **Date of Patent:** **** May 16, 2023**

- (54) **VIRTUAL REALITY HEADSET**
- (71) Applicant: **Yongqiang Hu**, Shenzhen (CN)
- (72) Inventor: **Yongqiang Hu**, Shenzhen (CN)
- (73) Assignee: **ETLINK (HK) PRECISION INDUSTRIAL CO., LIMITED**, Shenzhen (CN)
- (**) Term: **15 Years**
- (21) Appl. No.: **29/800,374**
- (22) Filed: **Jul. 21, 2021**
- (51) **LOC (14) Cl.** **14-02**
- (52) **U.S. Cl.**
USPC **D14/372**
- (58) **Field of Classification Search**
USPC D14/372, 496, 432, 371, 125, 126, 129, D14/299; D16/300–342; 351/158, 153, 351/144; 345/7–9, 905; 455/344; 348/115, 53, 121, 739
CPC G02B 27/017; G02B 27/0158; G02B 27/0161; G02B 27/0181; G02B 27/0185; G02B 27/0189
See application file for complete search history.

- D823,855 S * 7/2018 Robertson D14/372
- D829,208 S * 9/2018 Dallmeyer D14/372
- D885,383 S * 5/2020 Chang D14/372
- D889,464 S * 7/2020 Wang D14/372
- D904,402 S * 12/2020 Marquis D14/372
- D920,974 S * 6/2021 Chi D14/372
- D924,234 S * 7/2021 Meng D14/372
- D925,530 S * 7/2021 Morris D14/372
- D928,151 S * 8/2021 Hu D14/372
- D939,017 S * 12/2021 Liang D16/339
- D957,391 S * 7/2022 Roig D14/372
- D959,427 S * 8/2022 Zhu D14/372
- D963,644 S * 9/2022 Zhu D14/372
- D971,916 S * 12/2022 Ren D14/372

* cited by examiner

Primary Examiner — Austin Murphy

(74) *Attorney, Agent, or Firm* — Justin Lampel

(57) **CLAIM**

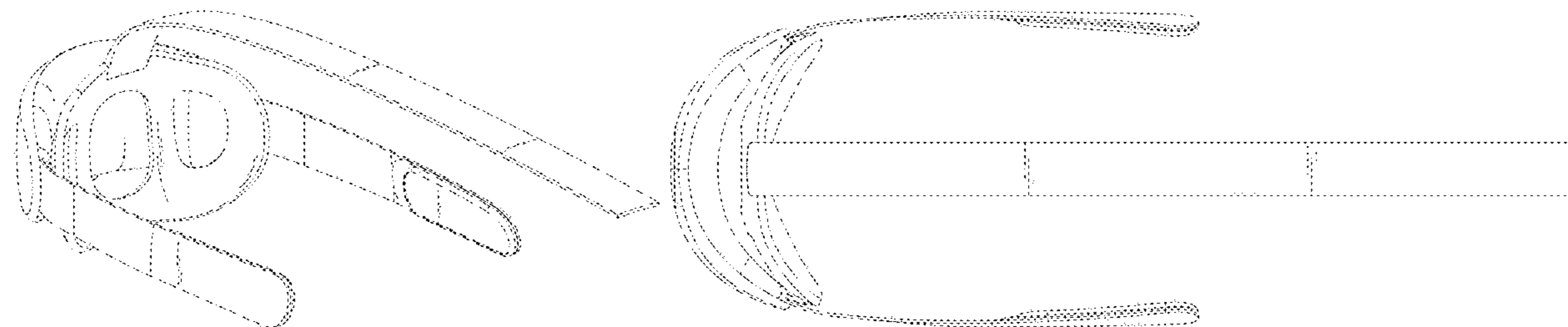
The ornamental design for a virtual reality headset, as shown and described.

DESCRIPTION

FIG. 1 is a perspective view of a virtual reality headset showing the claimed design;
FIG. 2 is a top plan view thereof;
FIG. 3 is a left side view thereof;
FIG. 4 is a front elevational view thereof;
FIG. 5 is a right side view thereof;
FIG. 6 is a rear elevational view thereof; and,
FIG. 7 is a bottom plan view thereof.

1 Claim, 7 Drawing Sheets

- (56) **References Cited**
U.S. PATENT DOCUMENTS
D791,126 S * 7/2017 Sullivan D14/372
D809,517 S * 2/2018 Sakata D14/372



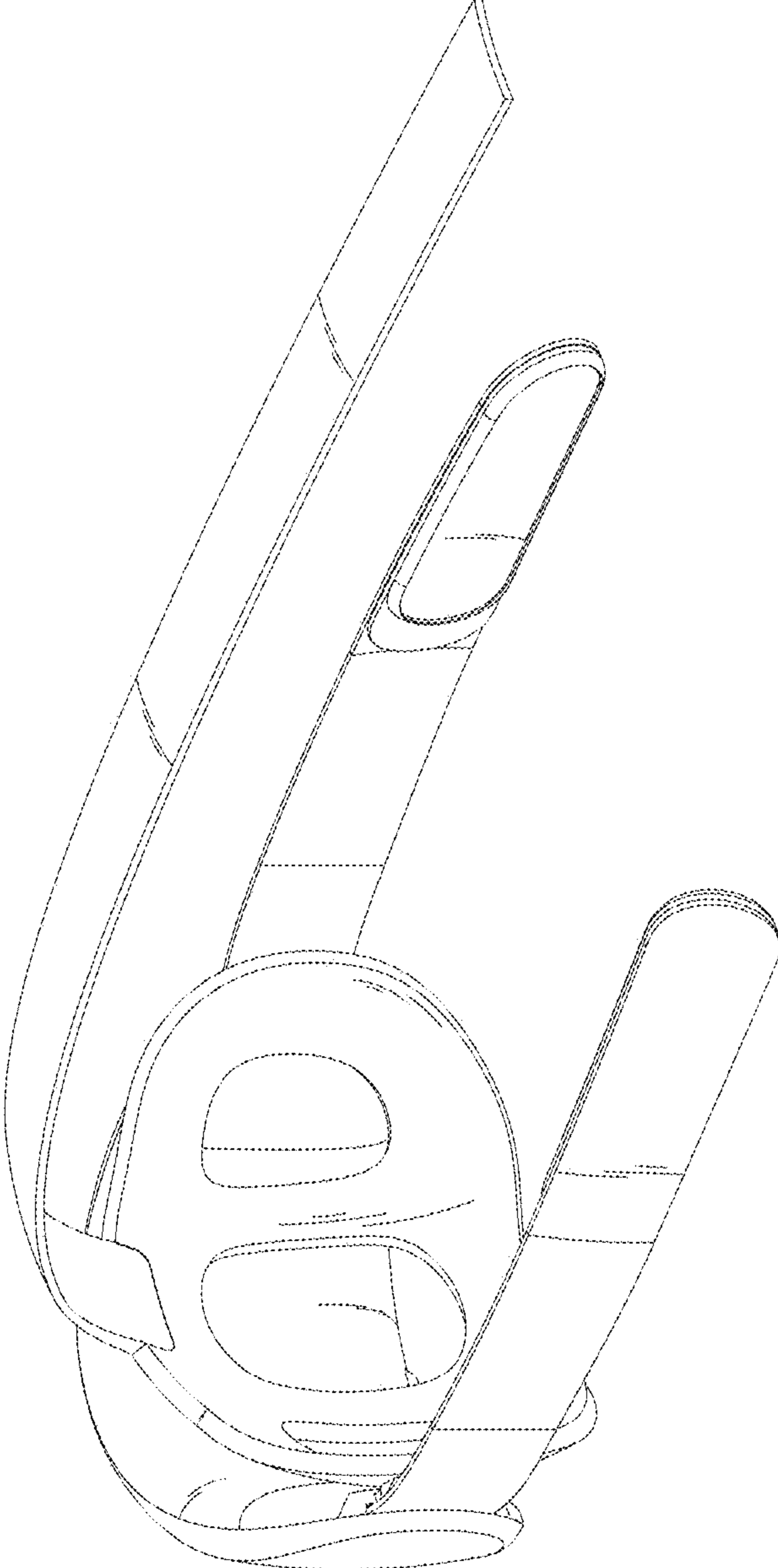


FIG. 1

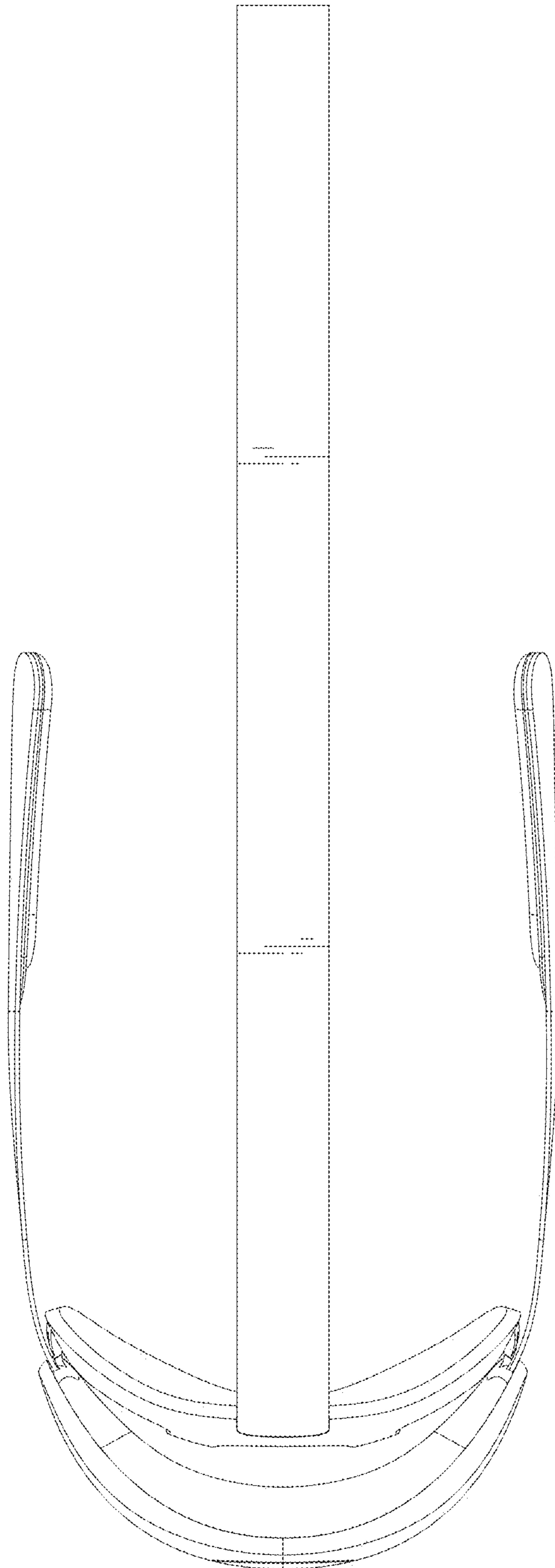


FIG. 2

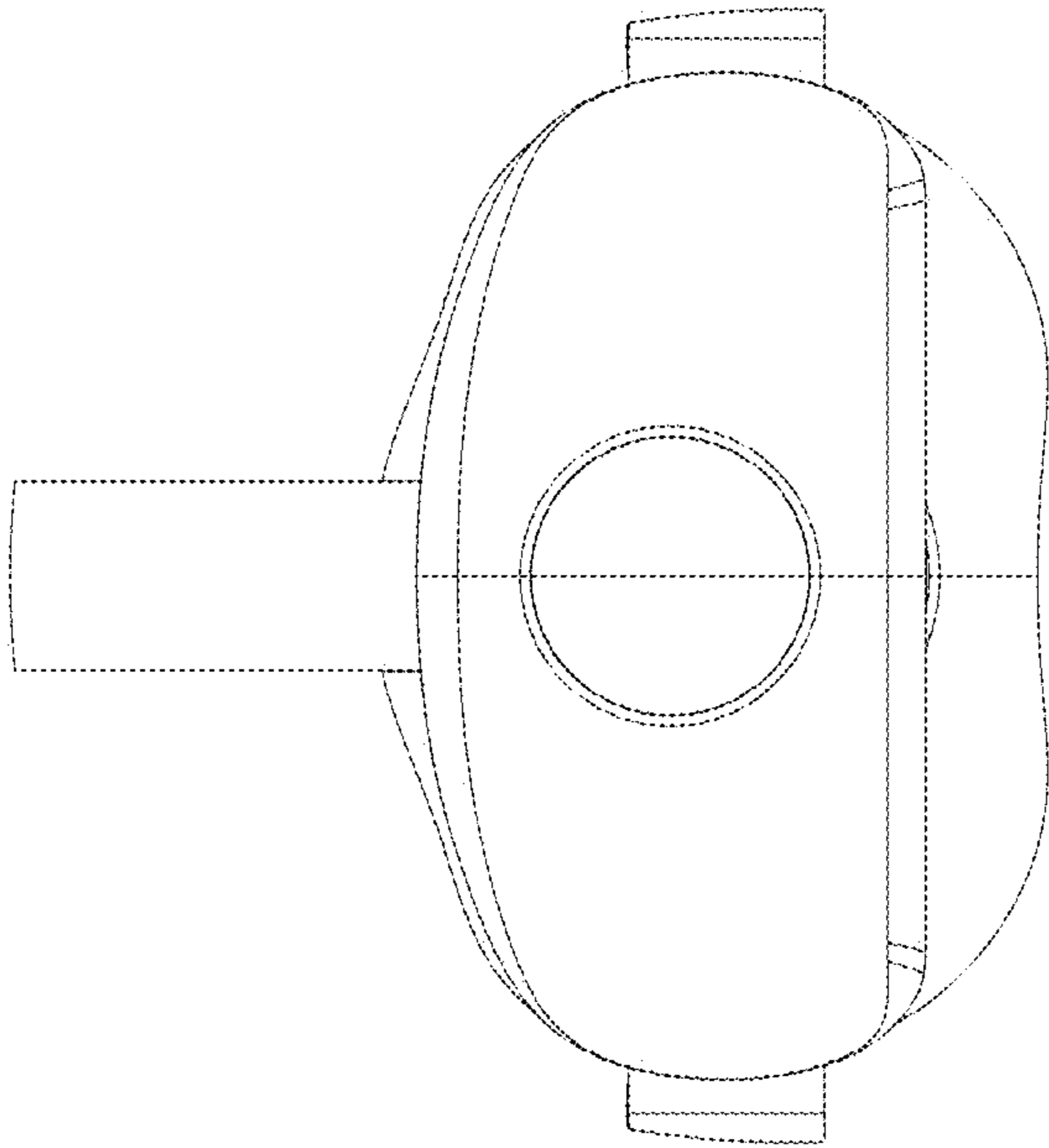


FIG. 3

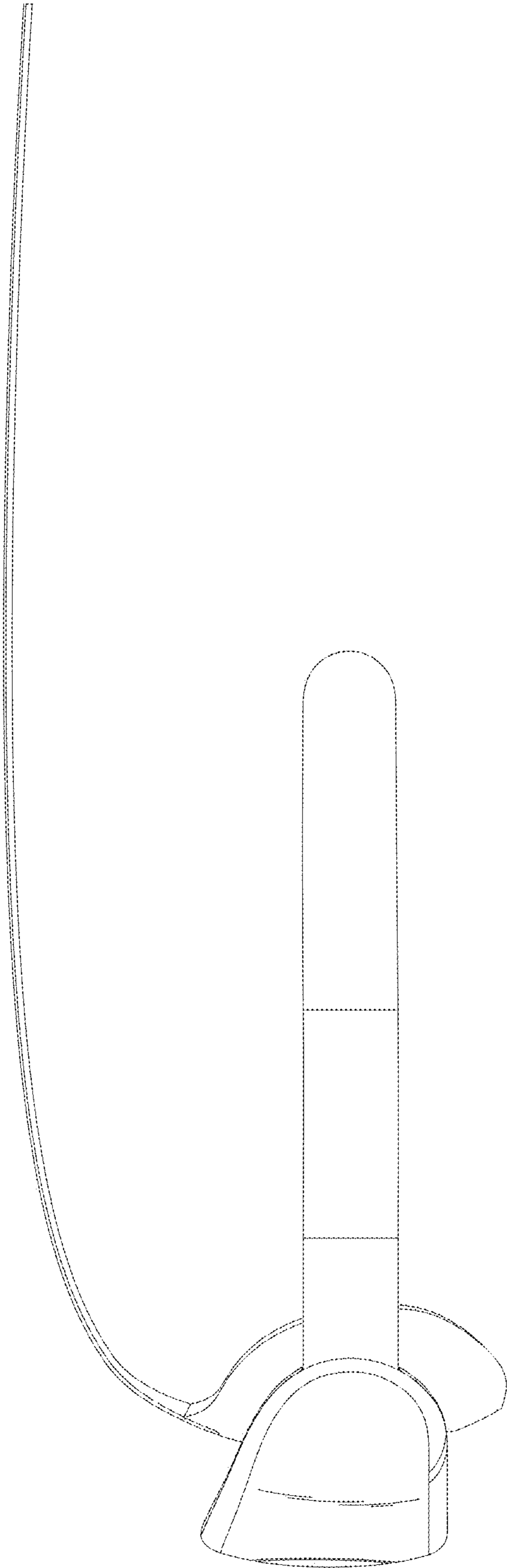


FIG.4

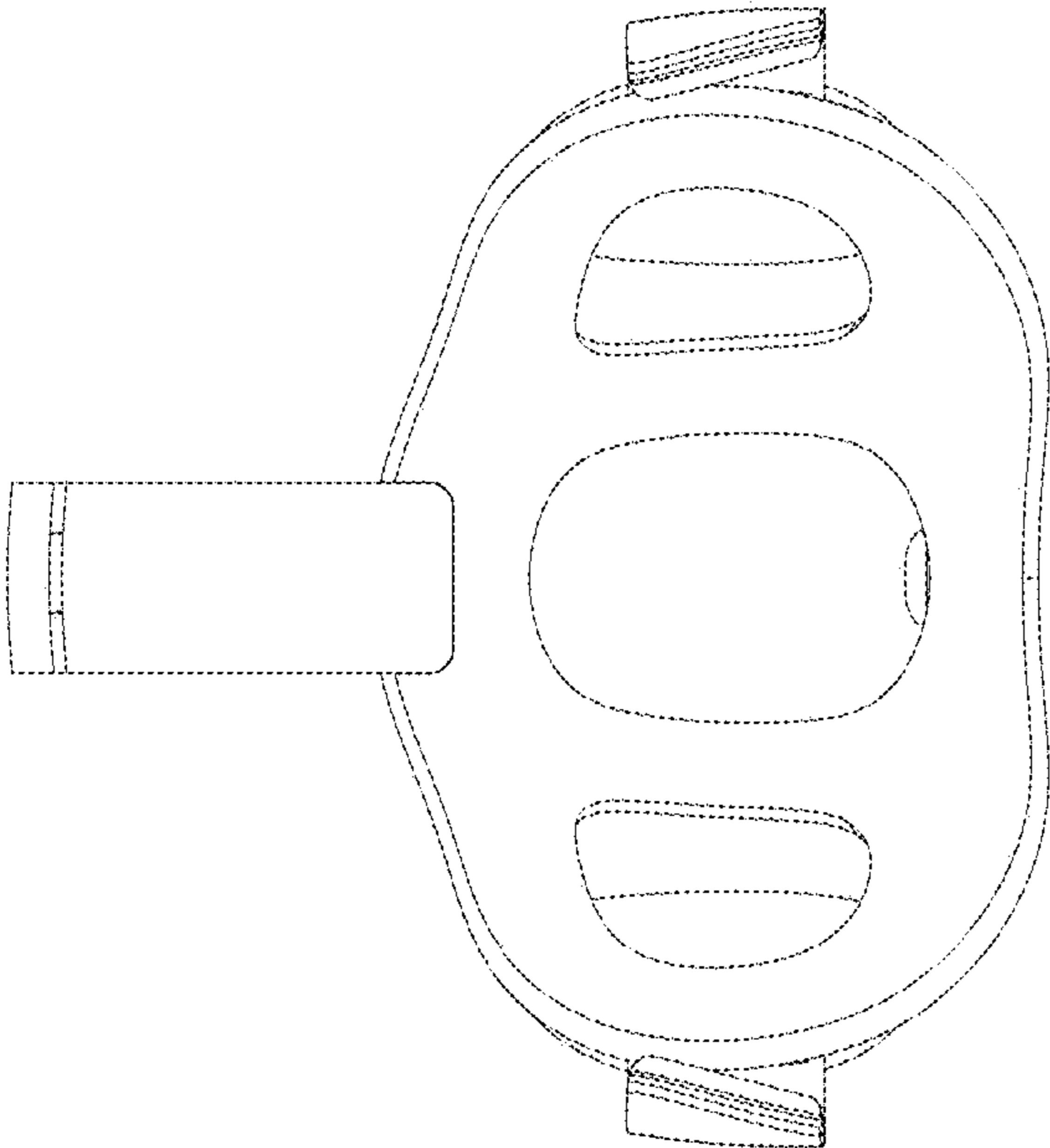


FIG. 5

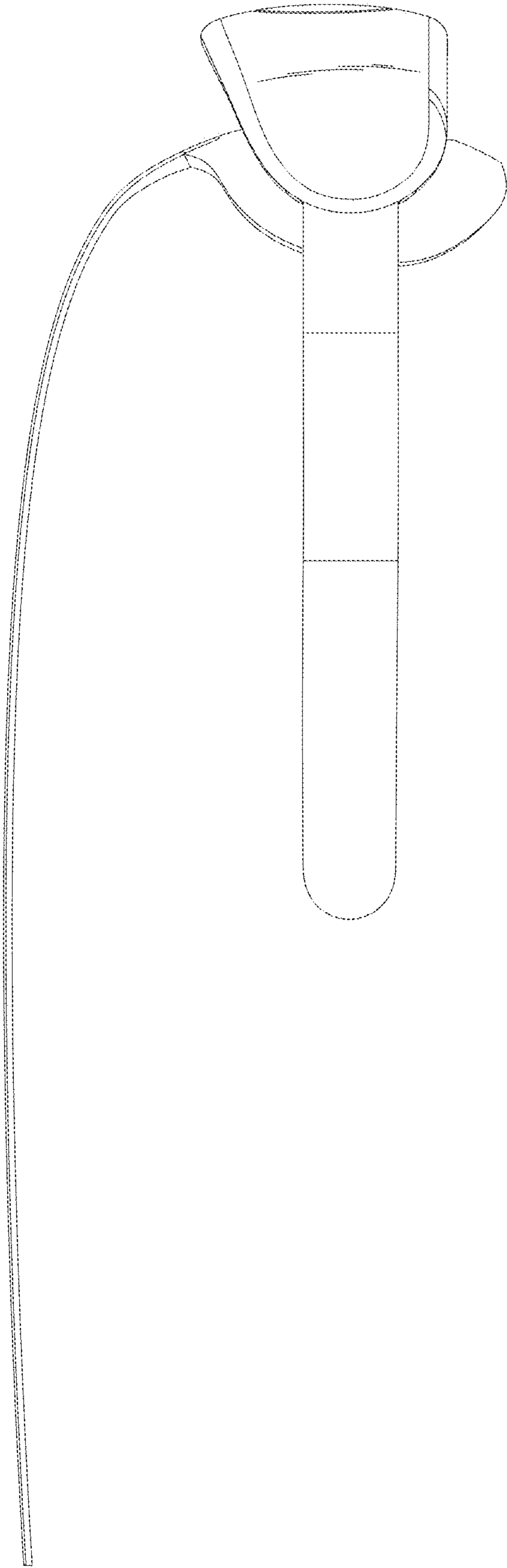


FIG. 6

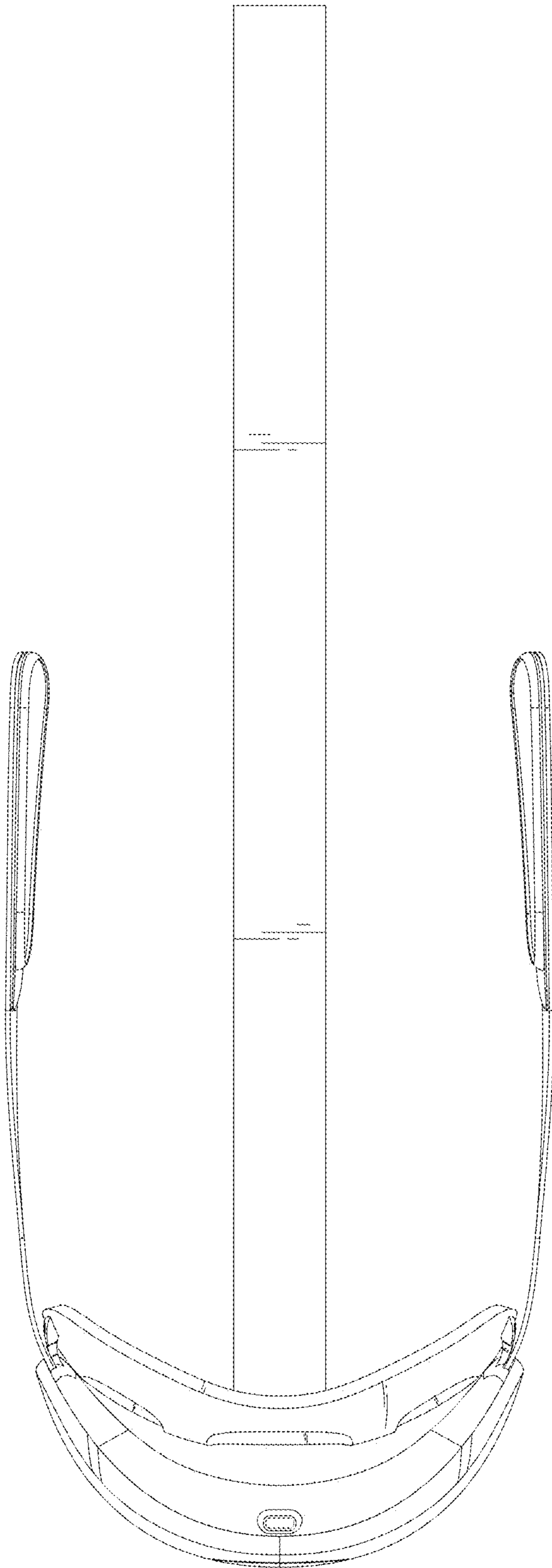


FIG. 7