



US00D986241S

(12) **United States Design Patent**  
**Spong**

(10) **Patent No.:** **US D986,241 S**

(45) **Date of Patent:** **\*\* May 16, 2023**

(54) **HEADSET**

(71) Applicant: **Zappar Ltd.**, Auchterarder (GB)

(72) Inventor: **Steven Spong**, East Cowes (GB)

(73) Assignee: **Zappar Ltd.**, Auchterarder (GB)

(\*\*) Term: **15 Years**

(21) Appl. No.: **29/774,509**

(22) Filed: **Mar. 17, 2021**

(51) **LOC (14) Cl.** ..... **14-02**

(52) **U.S. Cl.**  
USPC ..... **D14/372**

(58) **Field of Classification Search**  
USPC ..... D14/372, 496, 432, 371, 125, 126, 129,  
D14/299; D16/300–342; 351/158, 153,  
351/144; 345/7–9, 905; 455/344;  
348/115, 53, 121, 739  
CPC ..... G02B 27/017; G02B 27/0158; G02B  
27/0161; G02B 27/0181; G02B 27/0185;  
G02B 27/0189  
See application file for complete search history.

(56) **References Cited**

**U.S. PATENT DOCUMENTS**

D894,897 S \* 9/2020 Wei ..... D14/372  
D904,402 S \* 12/2020 Marquis ..... D14/372  
D916,702 S \* 4/2021 Newsom ..... D14/372  
D918,904 S \* 5/2021 Jackson ..... D14/372

D920,974 S \* 6/2021 Chi ..... D14/372  
D934,243 S \* 10/2021 Jackson ..... D14/372  
D940,711 S \* 1/2022 Mitchell ..... D14/372  
D943,575 S \* 2/2022 Conlee, IV ..... D14/372  
D951,251 S \* 5/2022 Chen ..... D14/372

\* cited by examiner

*Primary Examiner* — Austin Murphy

(74) *Attorney, Agent, or Firm* — Renner Kenner Greive  
Bobak Taylor & Weber

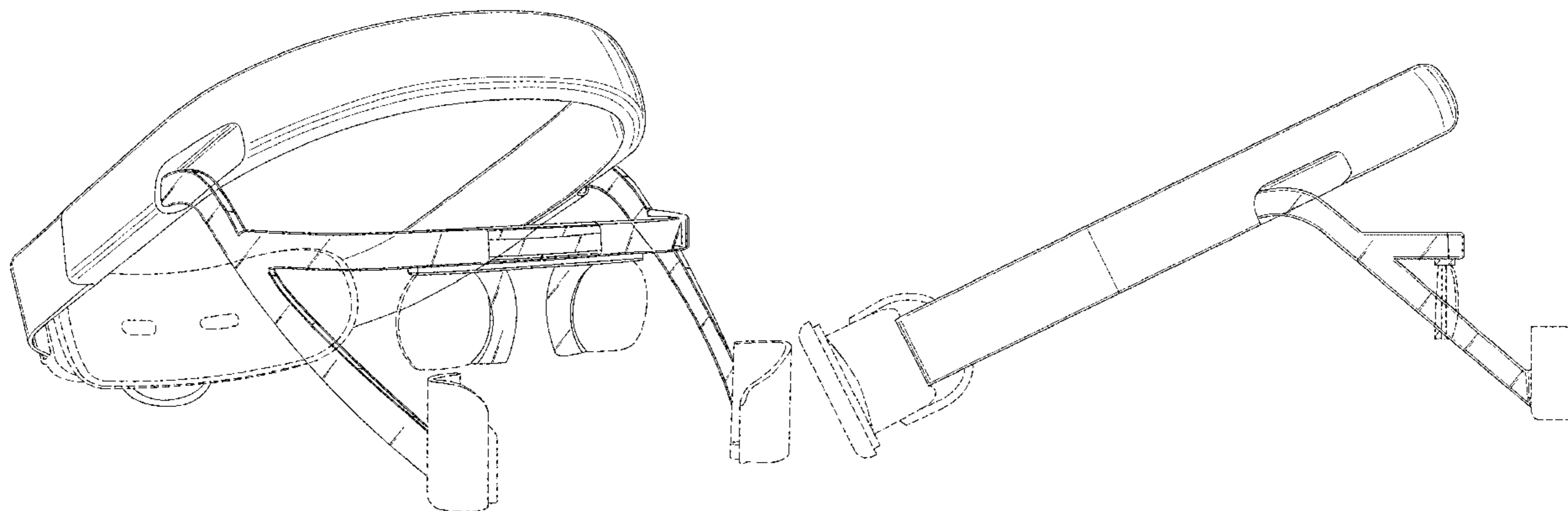
(57) **CLAIM**

The ornamental design of the headset, as shown and described.

**DESCRIPTION**

FIG. 1 is a front, left side perspective view of a headset of my new design;  
FIG. 2 is a side elevational view of the headset of FIG. 1, with the other side being the mirror image of the view in FIG. 2;  
FIG. 3 is a top plan view of the headset of FIG. 1;  
FIG. 4 is a front elevational view of the headset of FIG. 1;  
FIG. 5 is a bottom plan view of the headset of FIG. 1; and,  
FIG. 6 is a rear elevational view of the headset of FIG. 1.  
The broken lines shown in the drawings are for the purpose of illustrating the environment in which the headset embodying the design is used and forms no part of the claimed design or of a specified embodiment thereof.

**1 Claim, 6 Drawing Sheets**



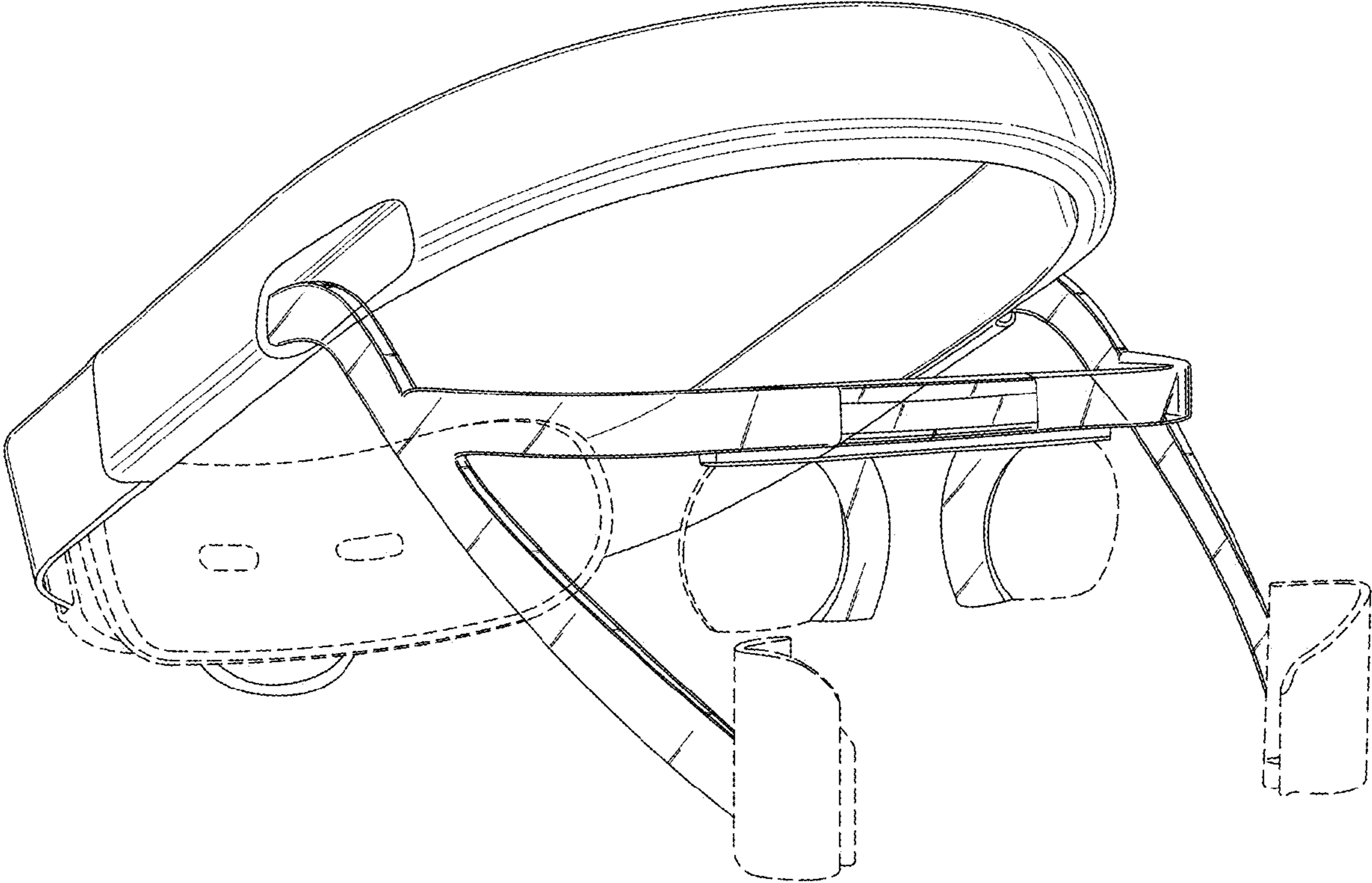


FIG. 1

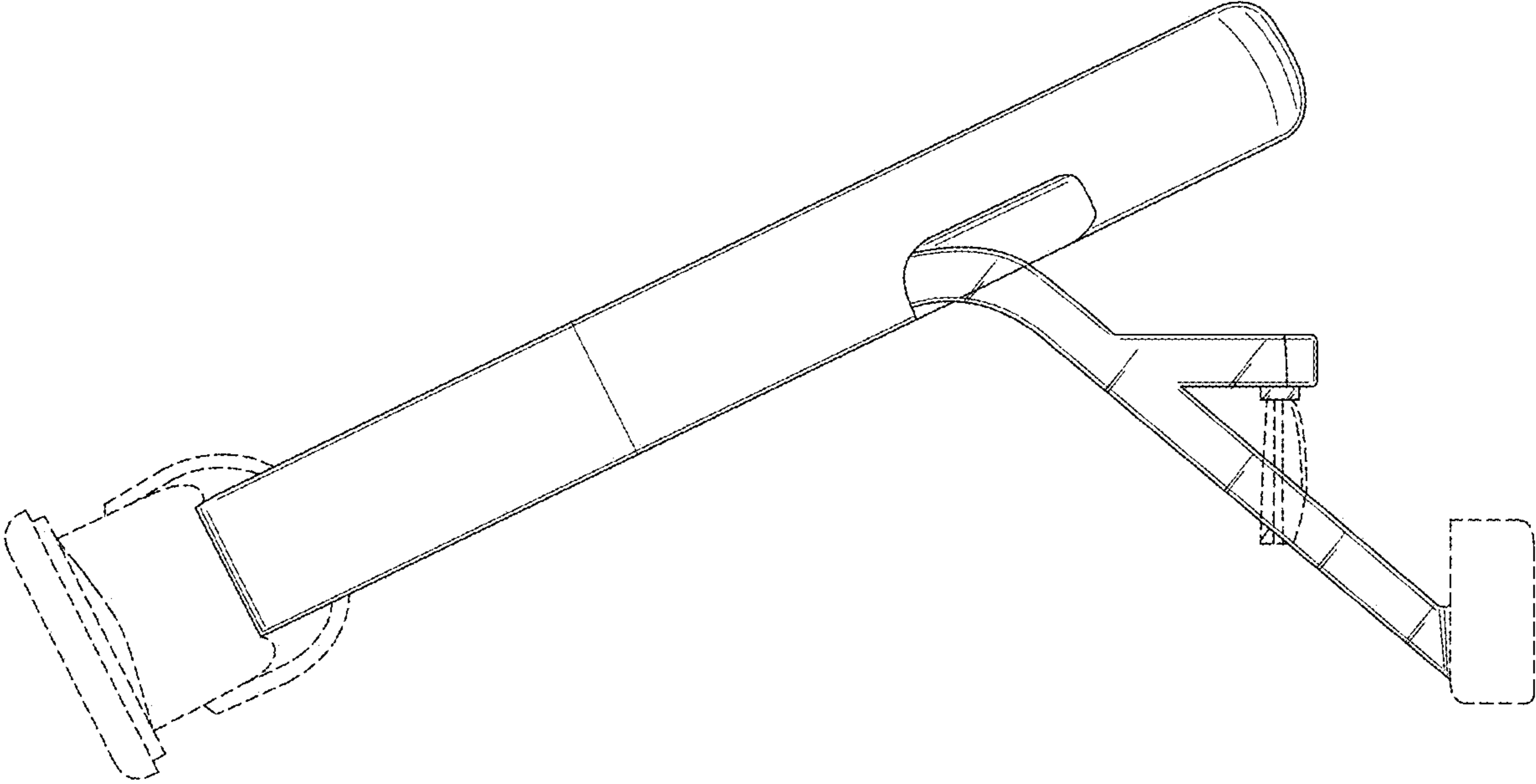


FIG. 2

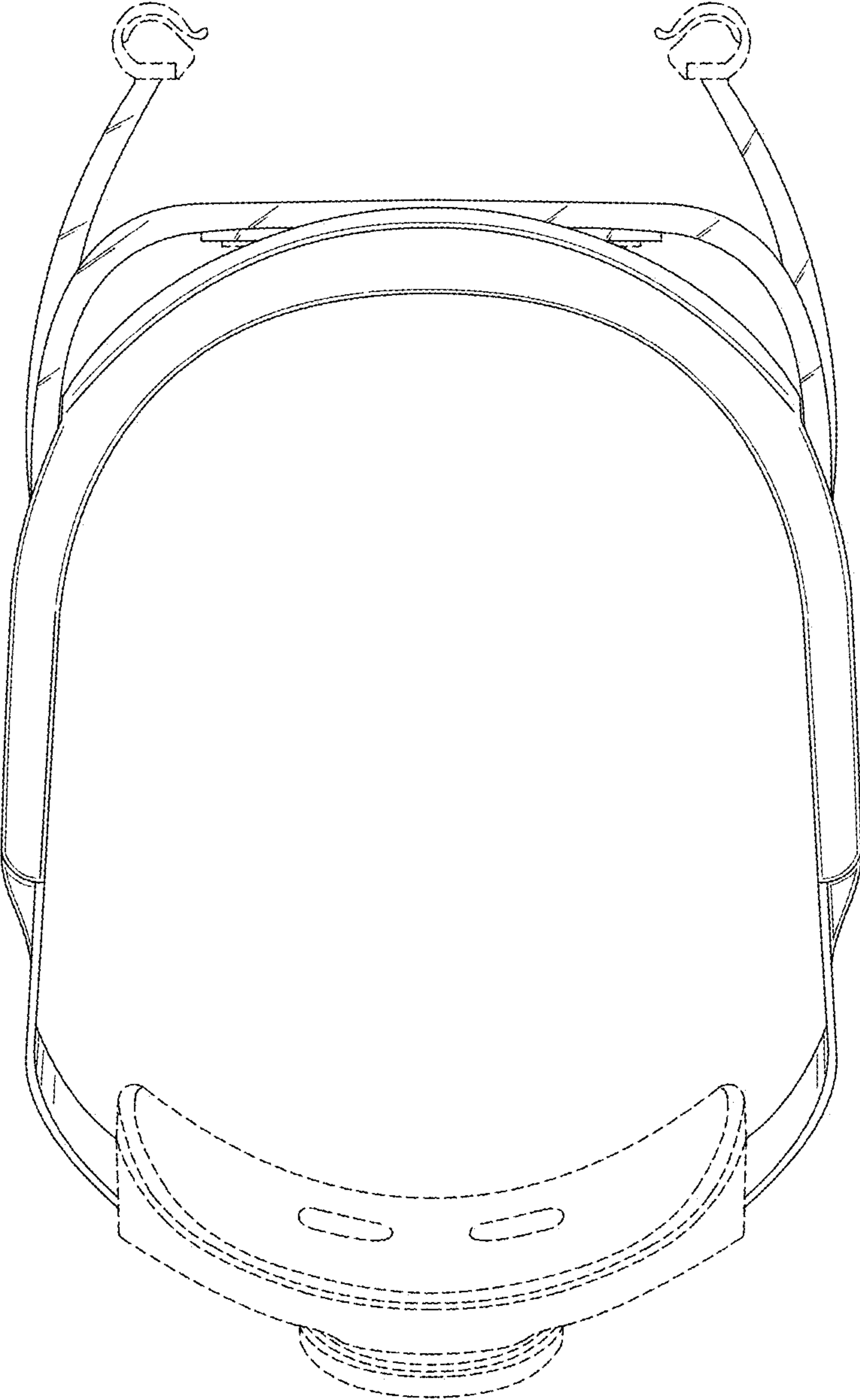


FIG. 3

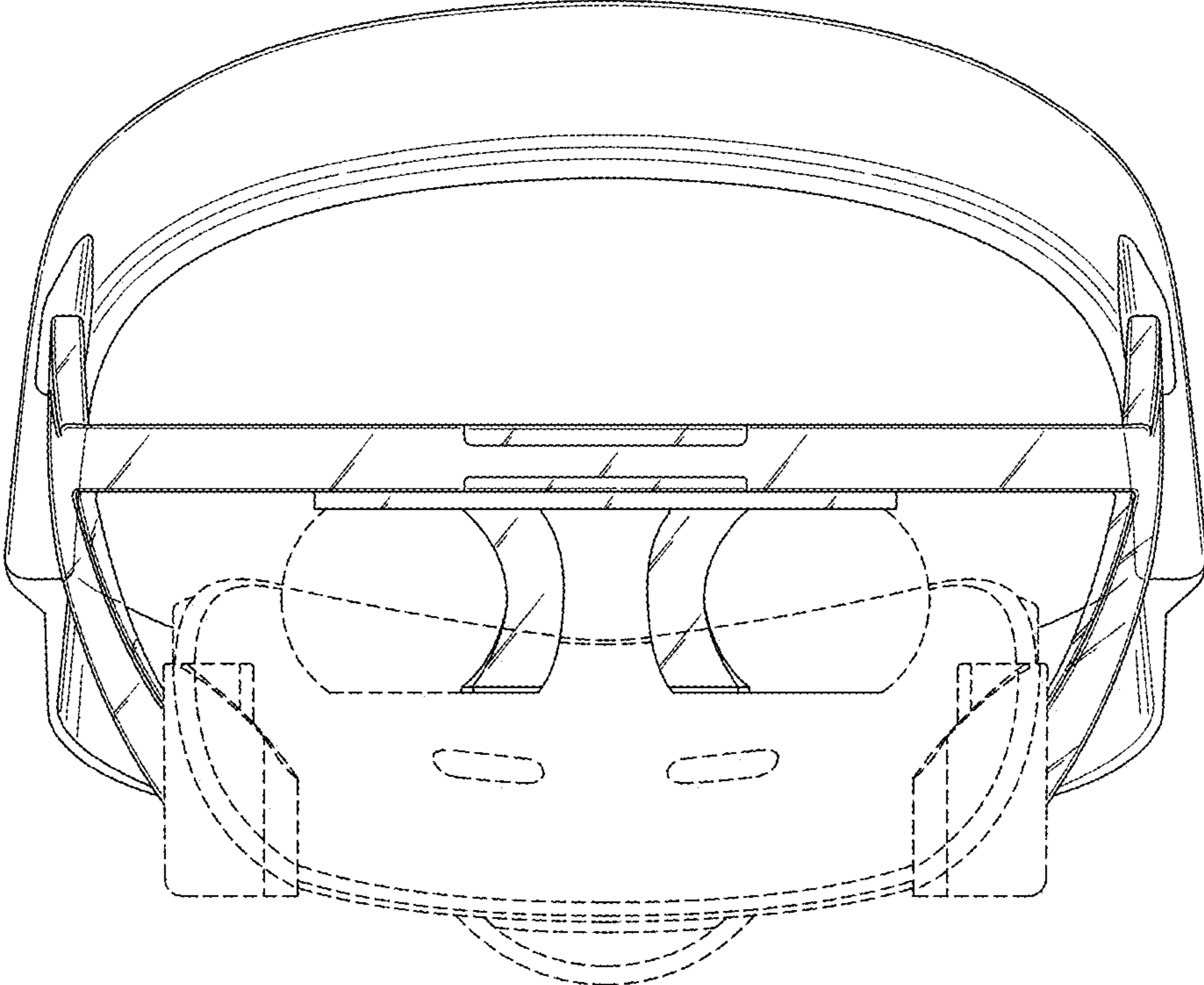


FIG. 4



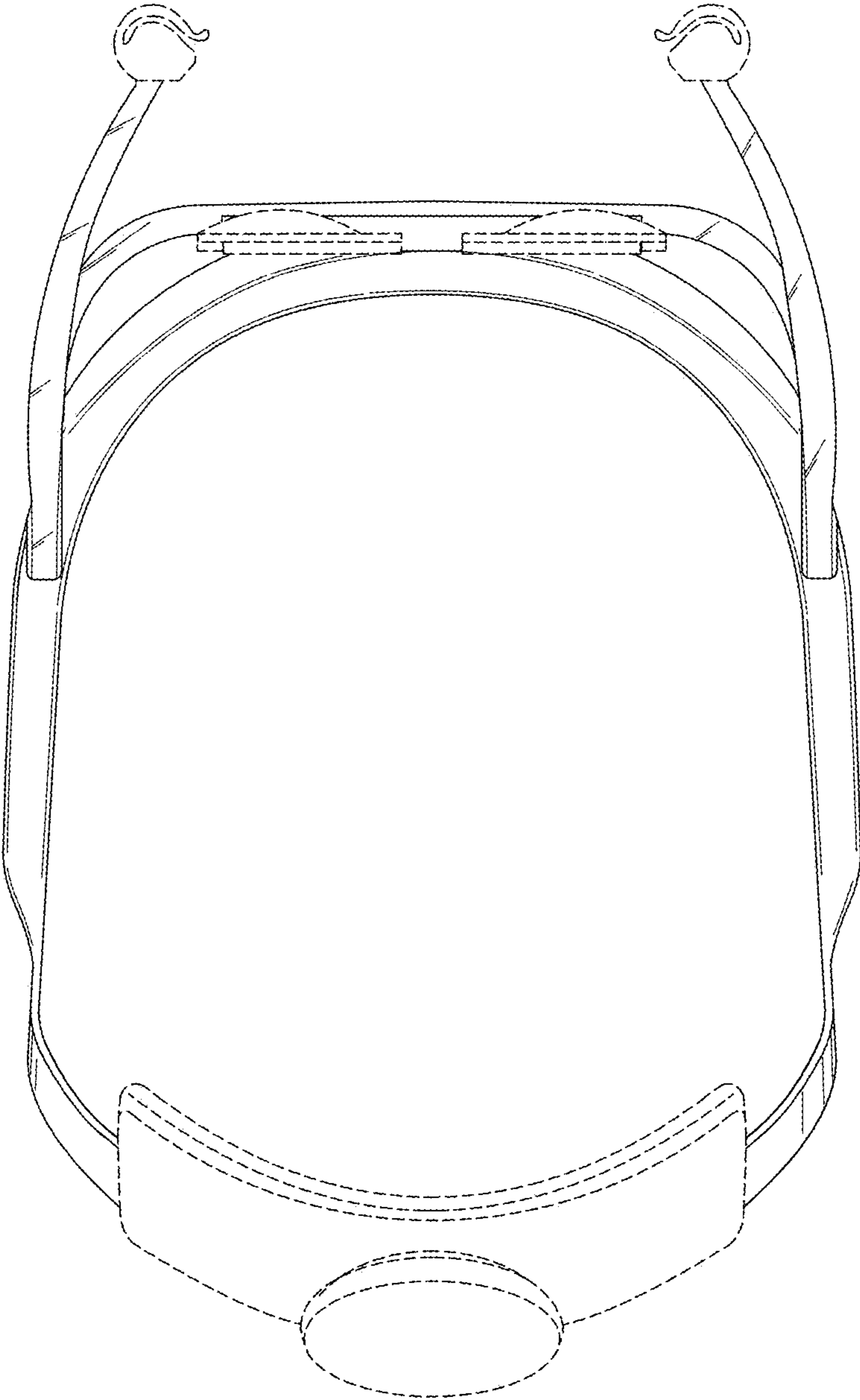


FIG. 5

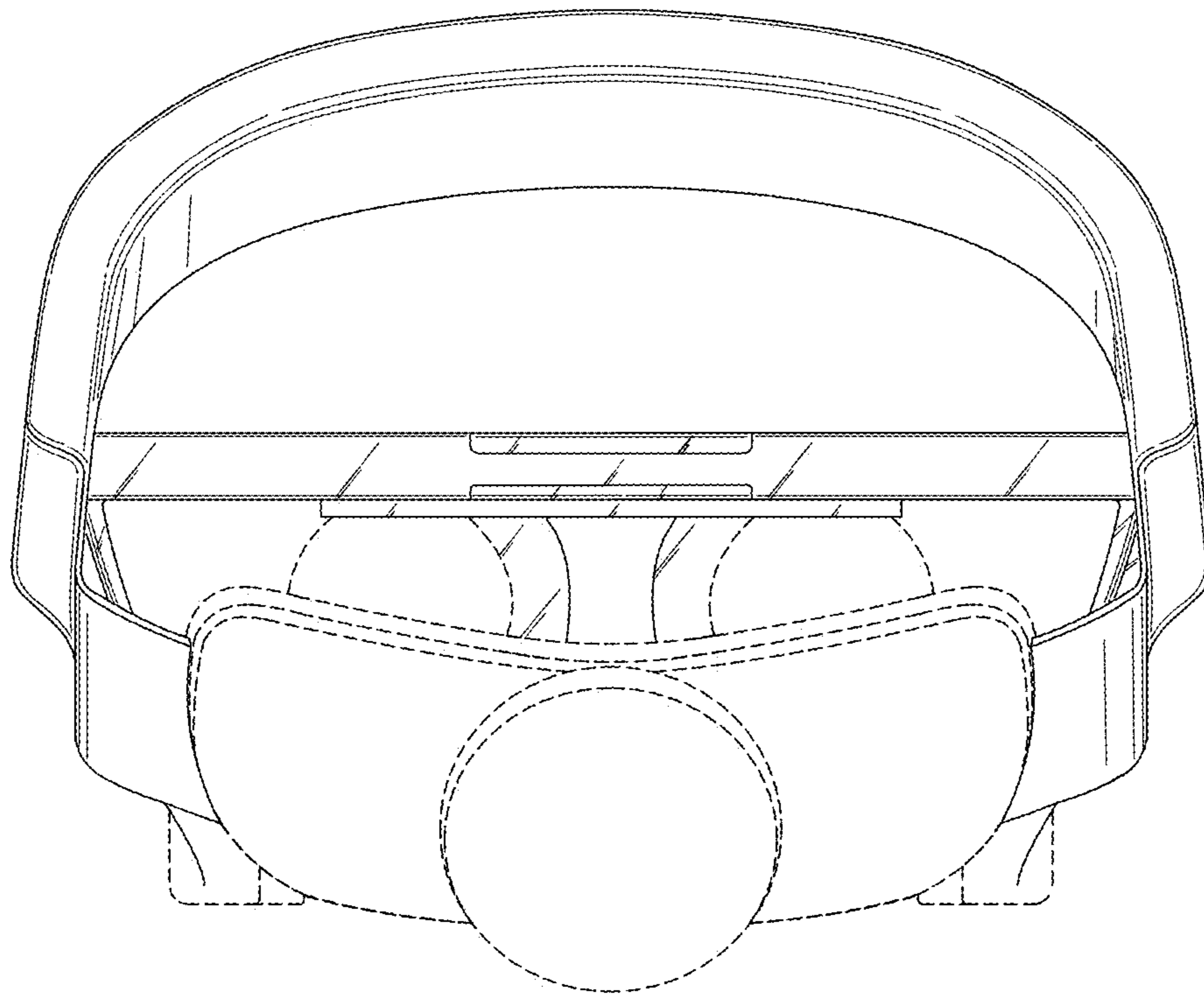


FIG. 6