



US00D986239S

(12) **United States Design Patent**  
**Chung et al.**

(10) **Patent No.:** **US D986,239 S**

(45) **Date of Patent:** **\*\* May 16, 2023**

(54) **SMART WATCH**

(71) Applicant: **Samsung Electronics Co., Ltd.**,  
Suwon-si (KR)

(72) Inventors: **Insik Chung**, Suwon-si (KR); **Juan Lee**, Suwon-si (KR); **Kenji Yamauchi**, Suwon-si (KR)

(73) Assignee: **SAMSUNG ELECTRONICS CO., LTD.**, Suwon-si (KR)

(\*\*) Term: **15 Years**

(21) Appl. No.: **29/816,204**

(22) Filed: **Nov. 19, 2021**

(30) **Foreign Application Priority Data**

Jun. 30, 2021 (KR) ..... 30-2021-0031087  
Jun. 30, 2021 (KR) ..... 30-2021-0031088

(51) **LOC (14) Cl.** ..... **14-02**

(52) **U.S. Cl.**  
USPC ..... **D14/344**

(58) **Field of Classification Search**  
USPC ..... D14/138 R, 344; D10/30-32, 38, 70;  
D11/3; D24/167

(Continued)

(56) **References Cited**

**U.S. PATENT DOCUMENTS**

D817,952 S \* 5/2018 Choi ..... D14/344  
D817,953 S \* 5/2018 Choi ..... D14/344

(Continued)

**FOREIGN PATENT DOCUMENTS**

CN 305963733 S 8/2020  
KR 30-1096346 2/2021  
WO WOD217100-008 \* 11/2021

**OTHER PUBLICATIONS**

Samsung Galaxy Watch 4 Classic 46mm Smartwatch with ECG

Monitor Tracker for Health,, www.amazon.com, Aug. 11, 2021.  
https://www.amazon.com/SAMSUNG-Classic-Smartwatch-Detection-Bluetooth/dp/B096BL5C31?th=1 (Year: 2021).\*

(Continued)

*Primary Examiner* — Llorellys Martinez

*Assistant Examiner* — Kwabena A. Ankobiah

(74) *Attorney, Agent, or Firm* — McAndrews Held & Malloy, Ltd.

(57) **CLAIM**

The ornamental design for a smart watch, as shown and described.

**DESCRIPTION**

FIG. 1 is a front perspective view of a smart watch showing our new design according to a first embodiment;

FIG. 2 is a front view thereof;

FIG. 3 is a rear view thereof;

FIG. 4 is a left side view thereof;

FIG. 5 is a right side view thereof;

FIG. 6 is a top plan view thereof;

FIG. 7 is a bottom plan view thereof;

FIG. 8 is a rear perspective view thereof;

FIG. 9 is an enlarged view of the portion 9 encircled in FIG. 1;

FIG. 10 is an enlarged view of FIG. 6;

FIG. 11 is an enlarged view of FIG. 7;

FIG. 12 is a front perspective view of a smart watch showing our new design according to a second embodiment;

FIG. 13 is a front view thereof;

FIG. 14 is a rear view thereof;

FIG. 15 is a left side view thereof;

FIG. 16 is a right side view thereof;

FIG. 17 is a top plan view thereof;

FIG. 18 is a bottom plan view thereof;

FIG. 19 is a rear perspective view thereof;

FIG. 20 is an enlarged view of the portion 20 encircled in FIG. 12;

FIG. 21 is an enlarged view of FIG. 17; and,

FIG. 22 is an enlarged view of FIG. 18.

The dashed broken lines in the figures depict portions of the smart watch that form no part of the claimed design. The

(Continued)

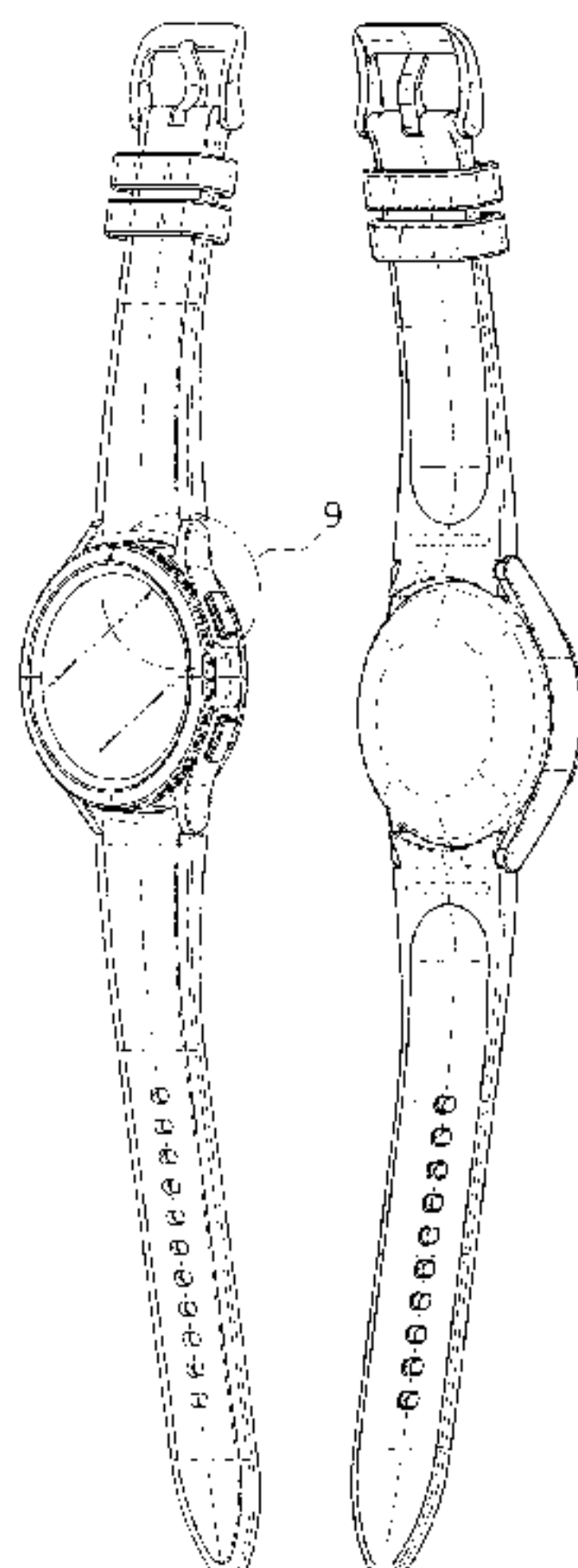




FIG. 1

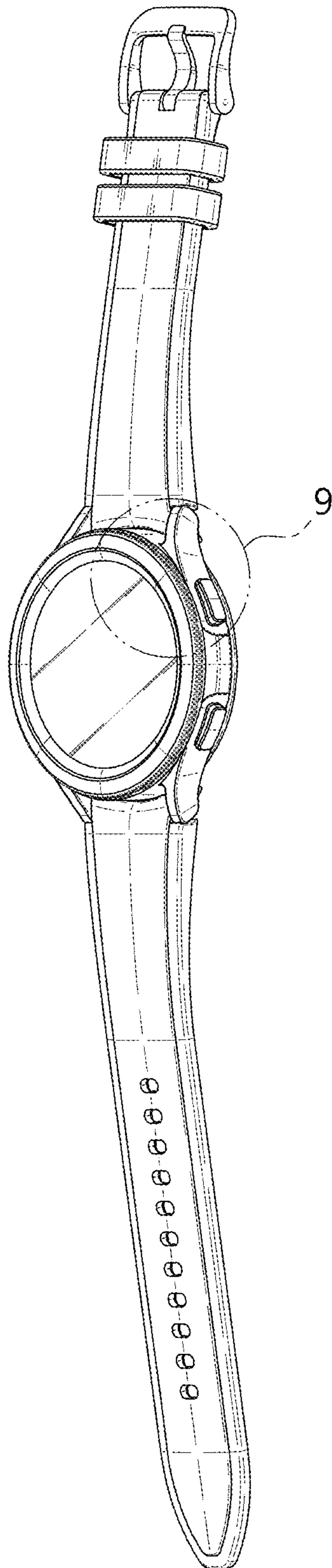


FIG. 2

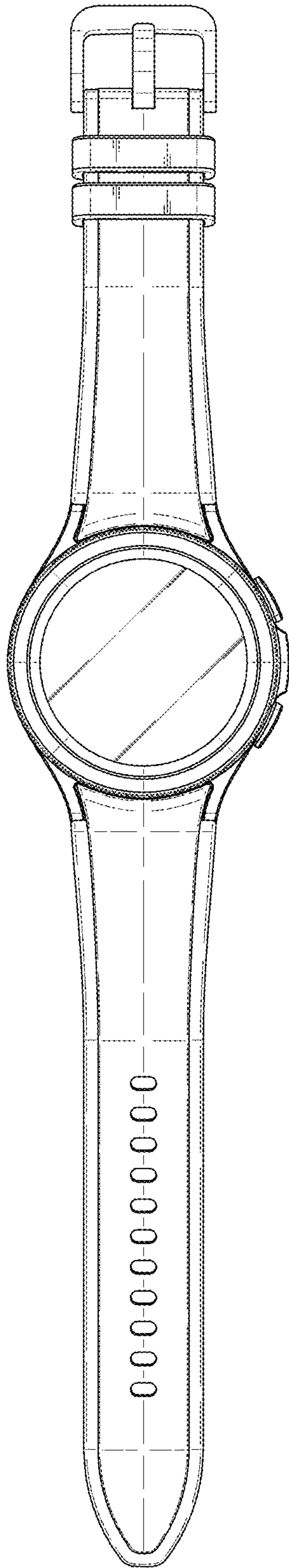


FIG. 3

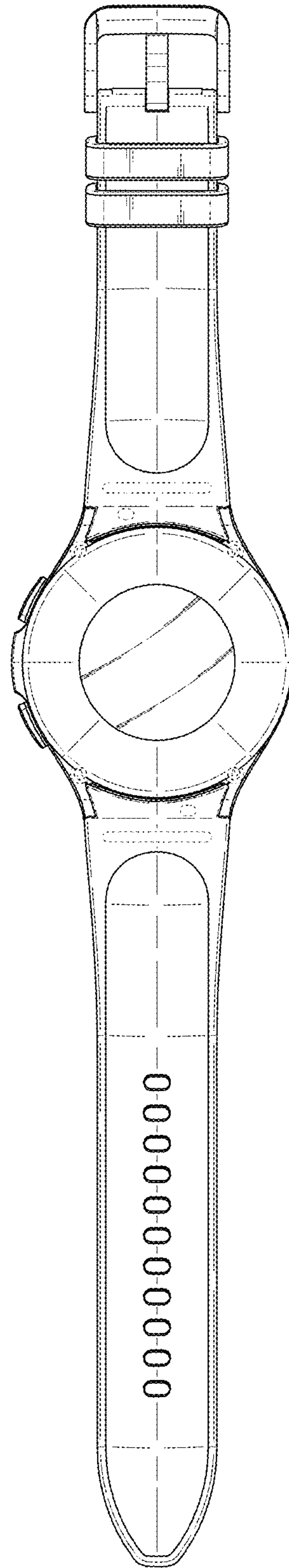




FIG. 4

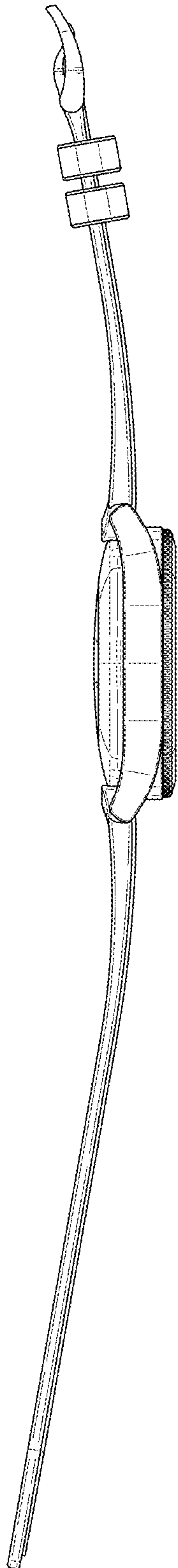


FIG. 5

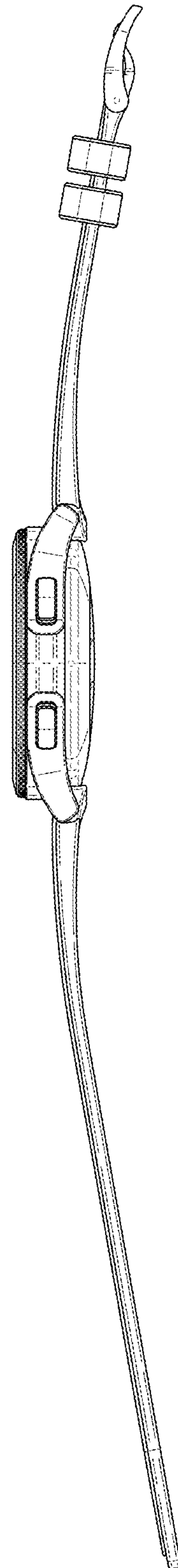


FIG. 6

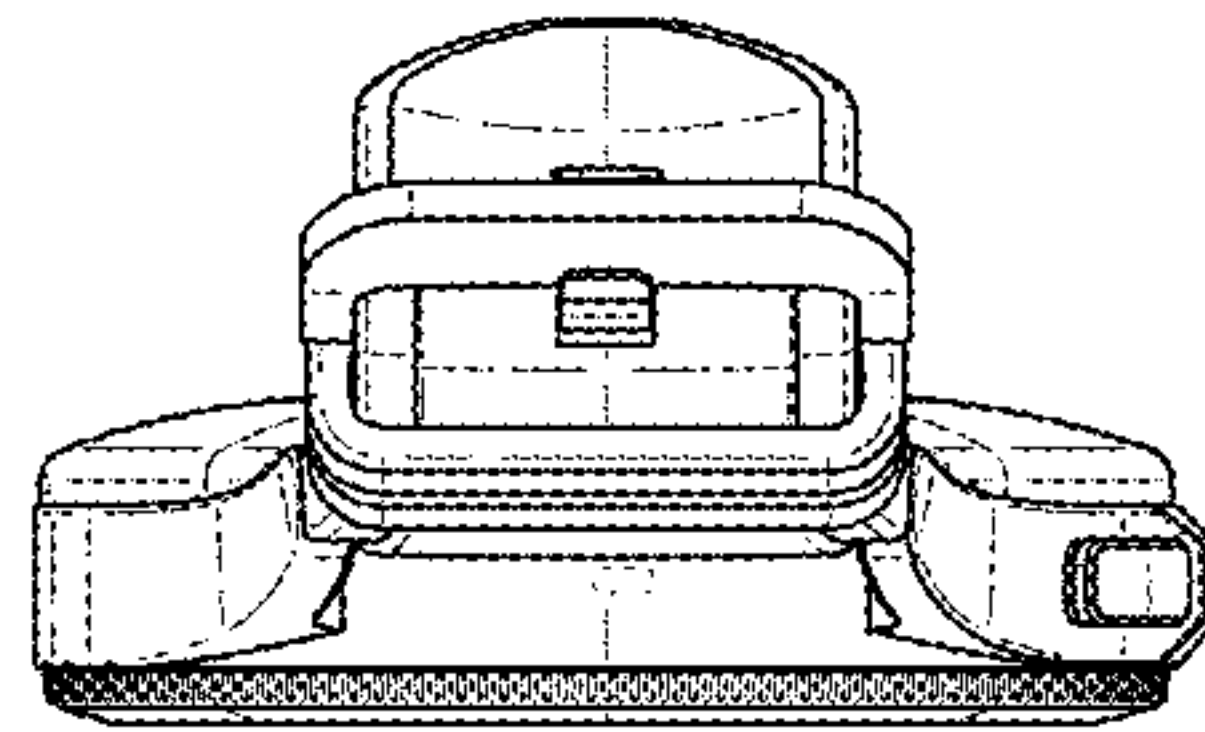


FIG. 7

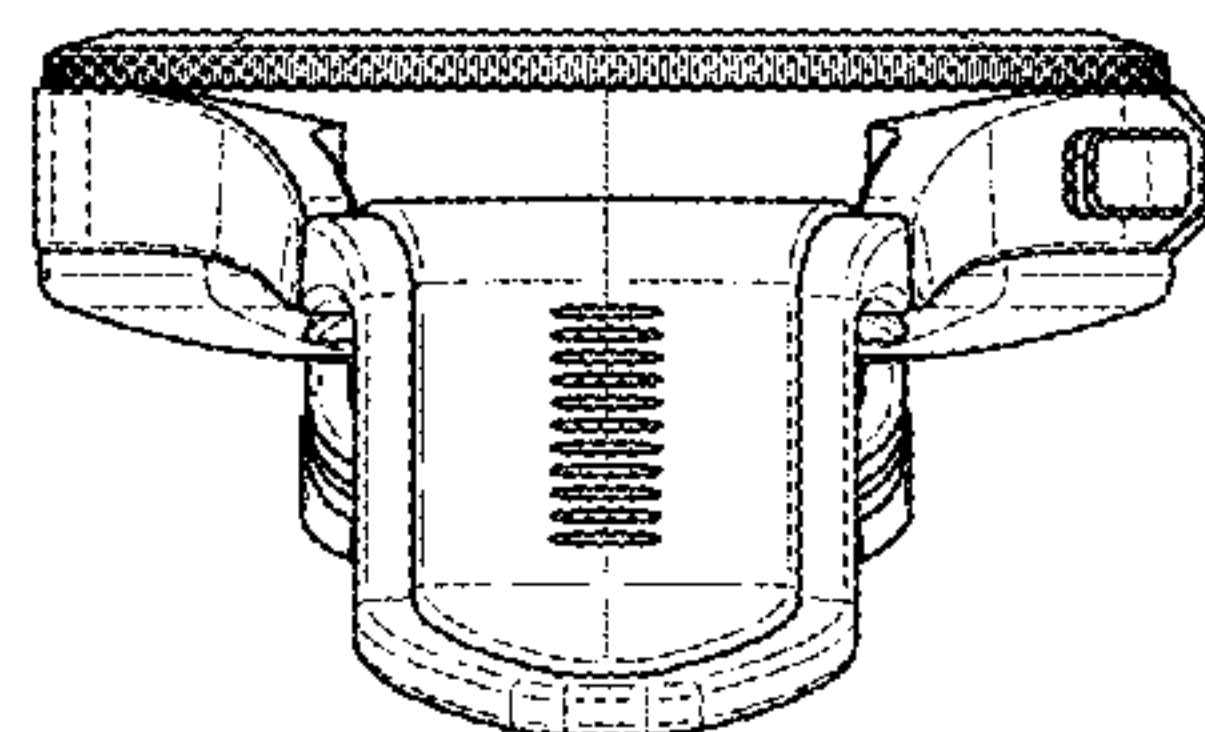


FIG. 8

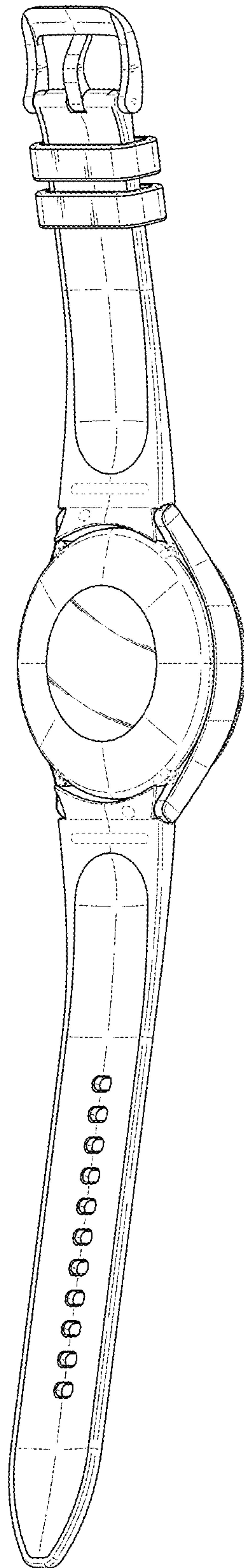


FIG. 9

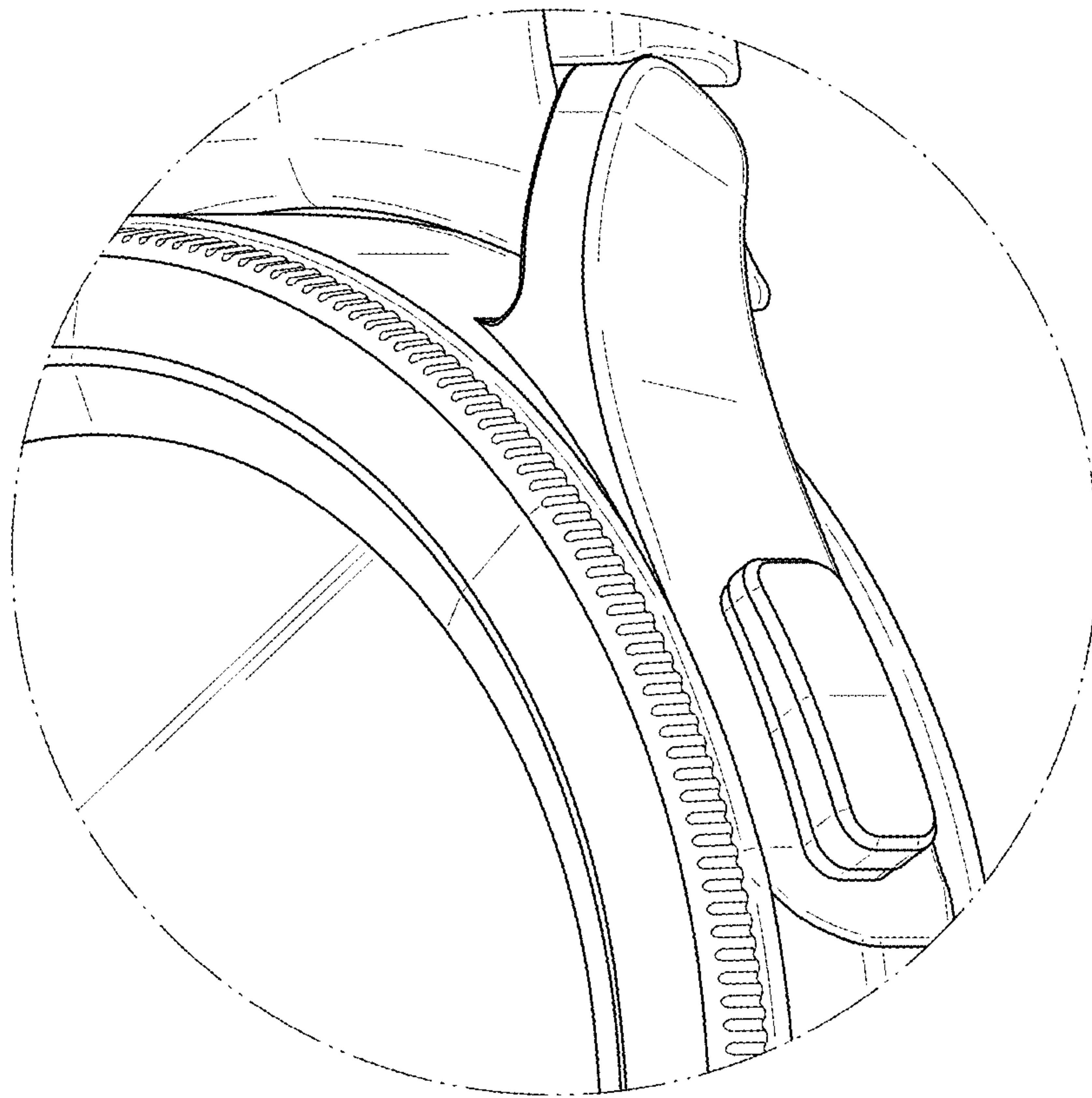




FIG. 10

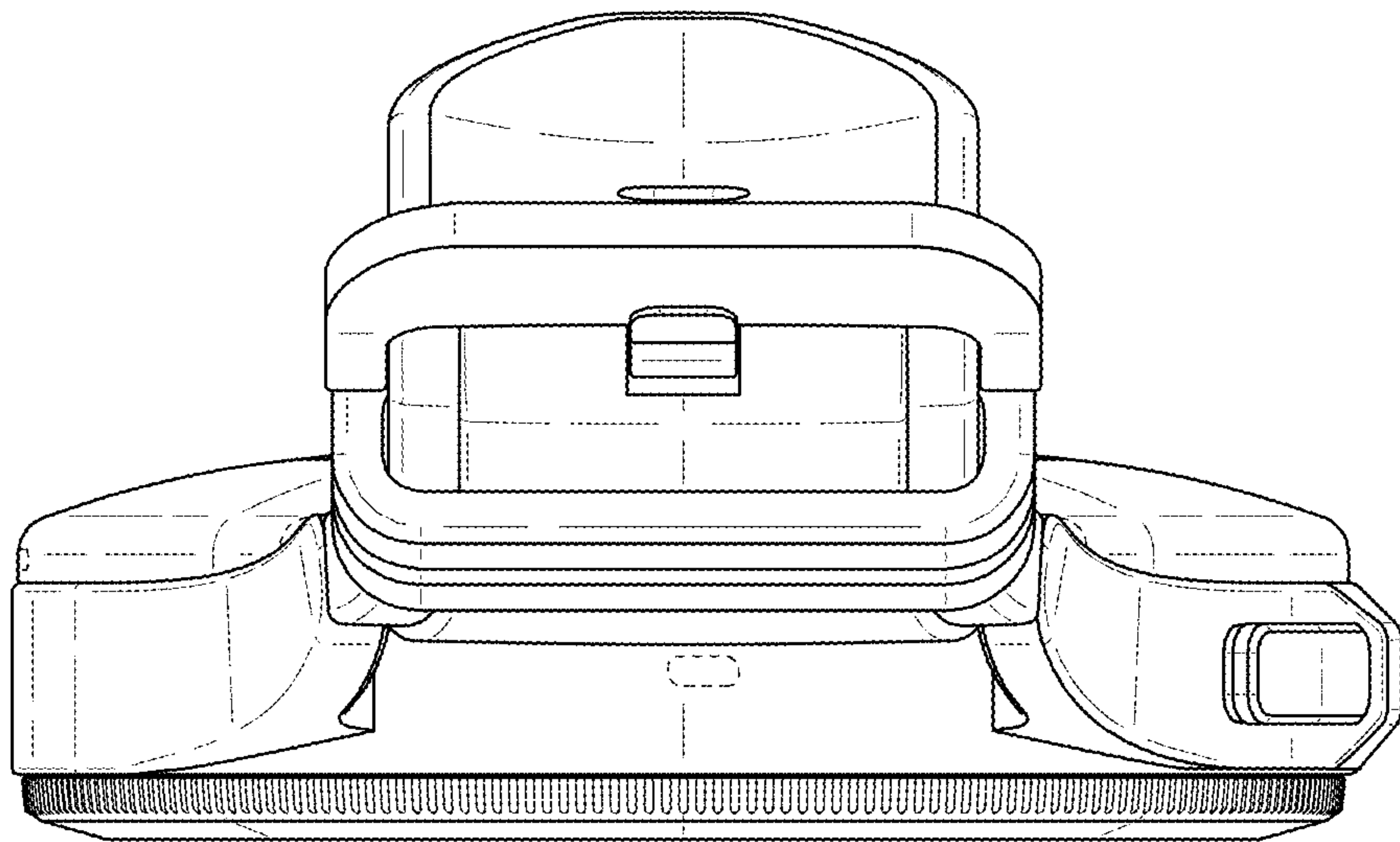


FIG. 11

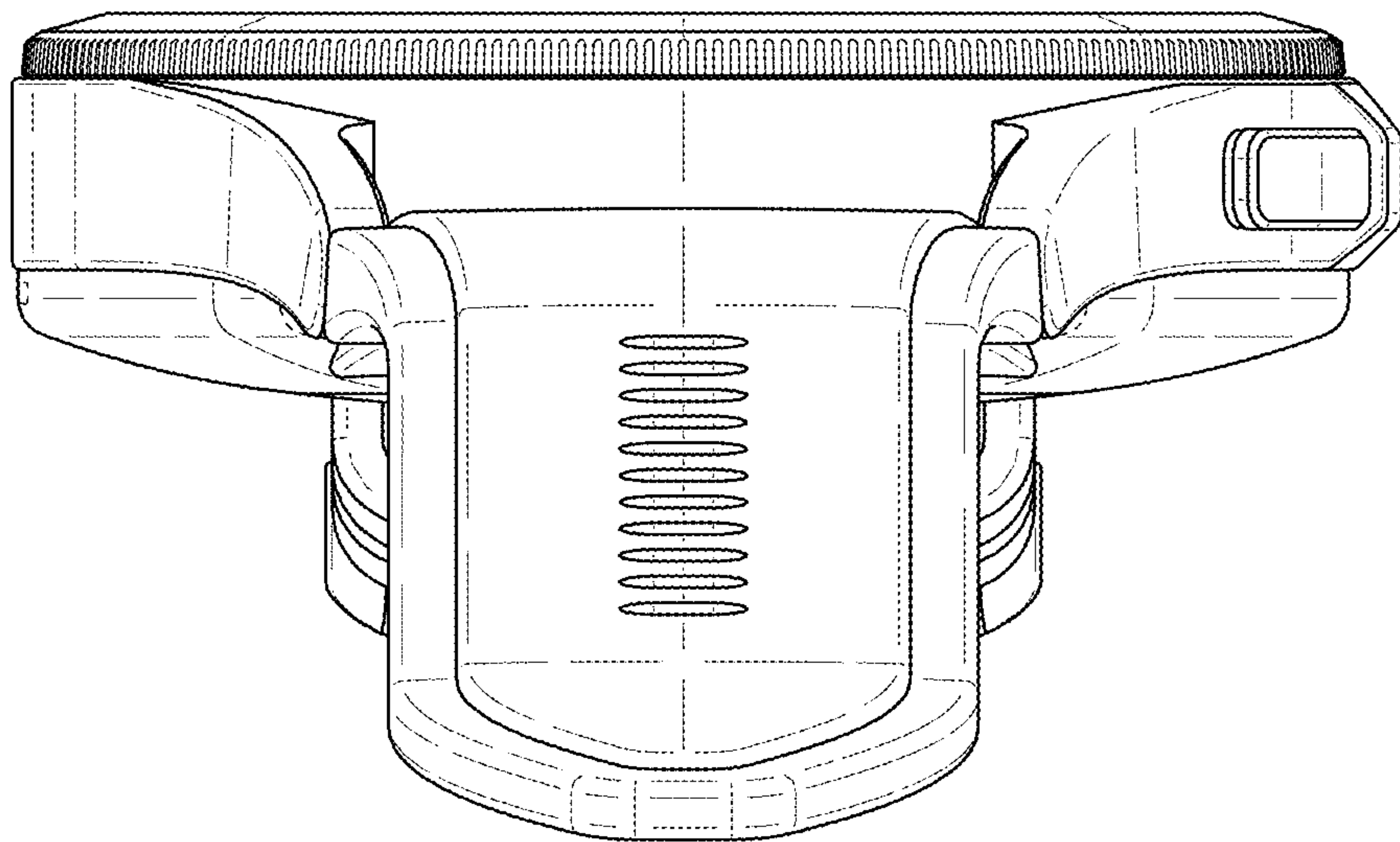


FIG. 12

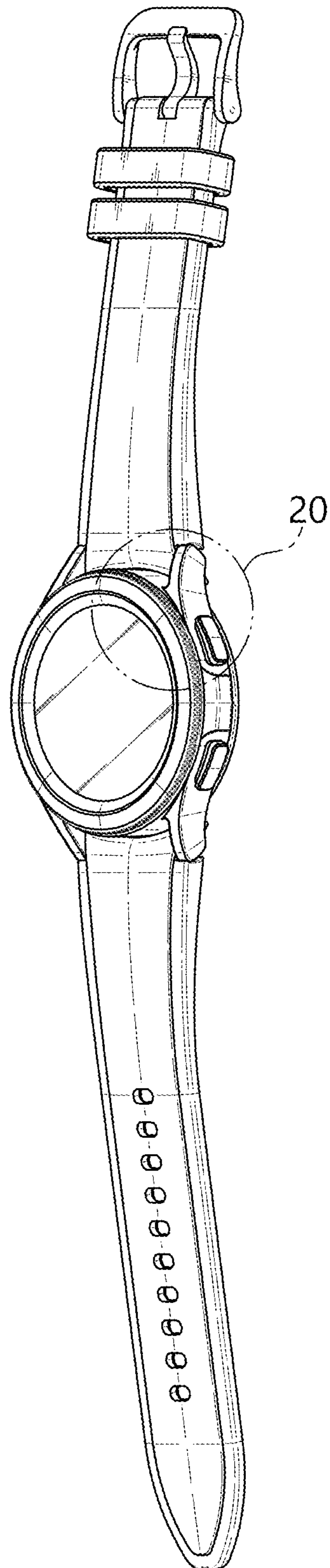


FIG. 13

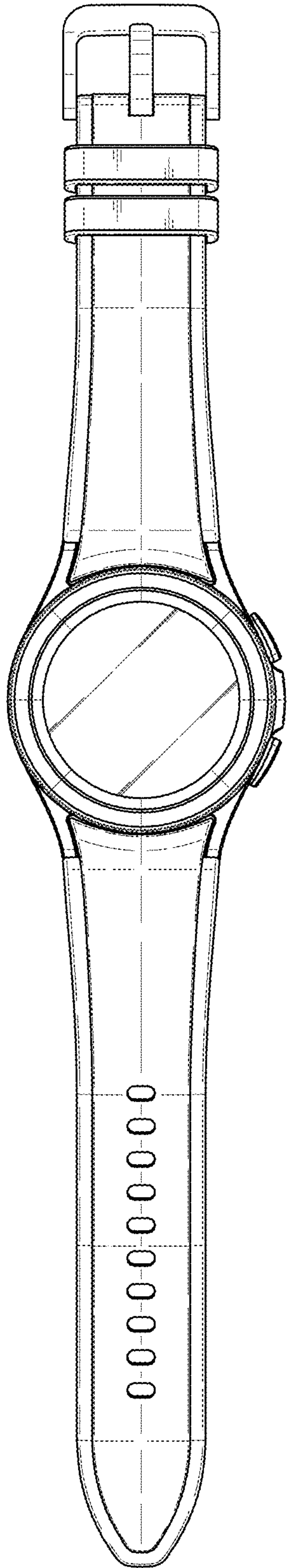


FIG. 14

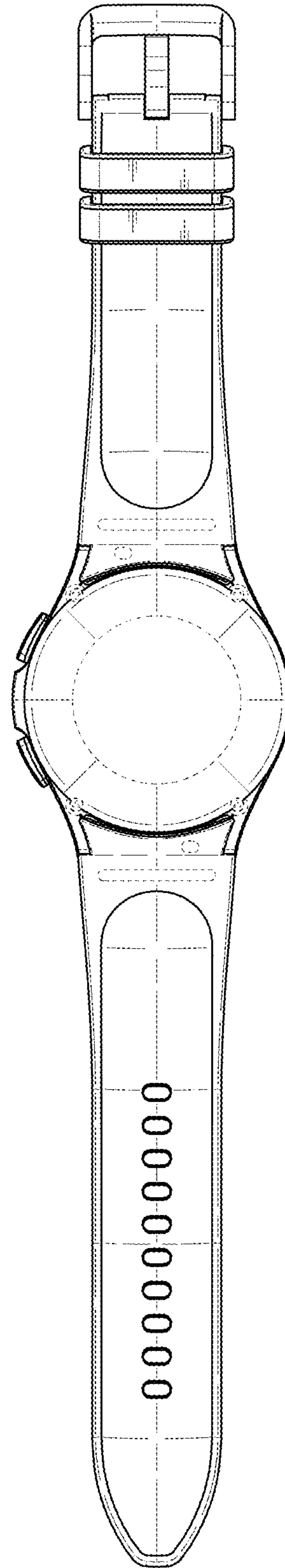


FIG. 15

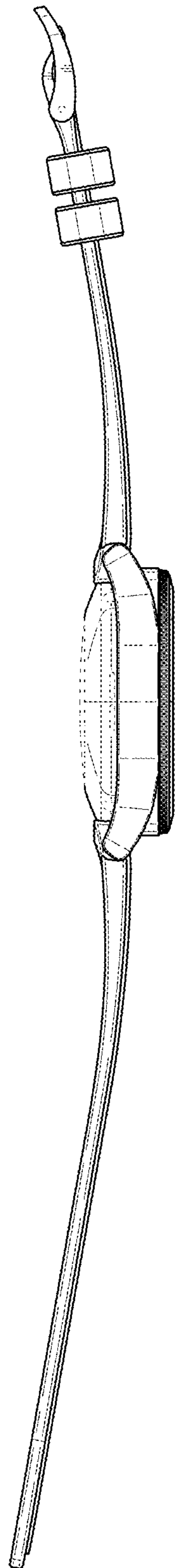


FIG. 16

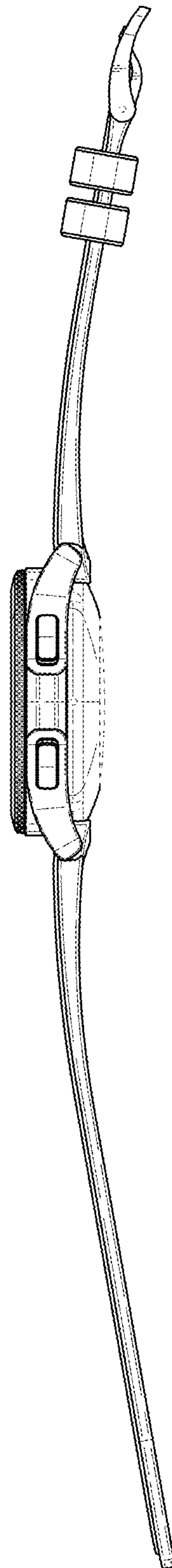




FIG. 17

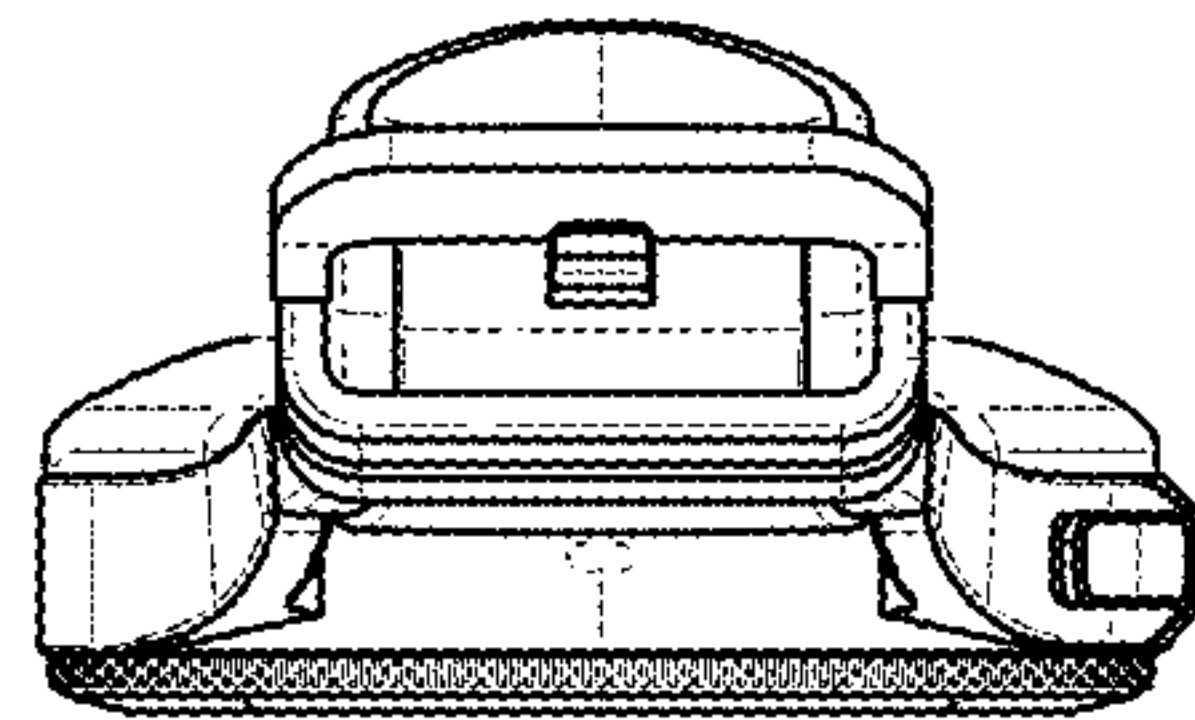


FIG. 18

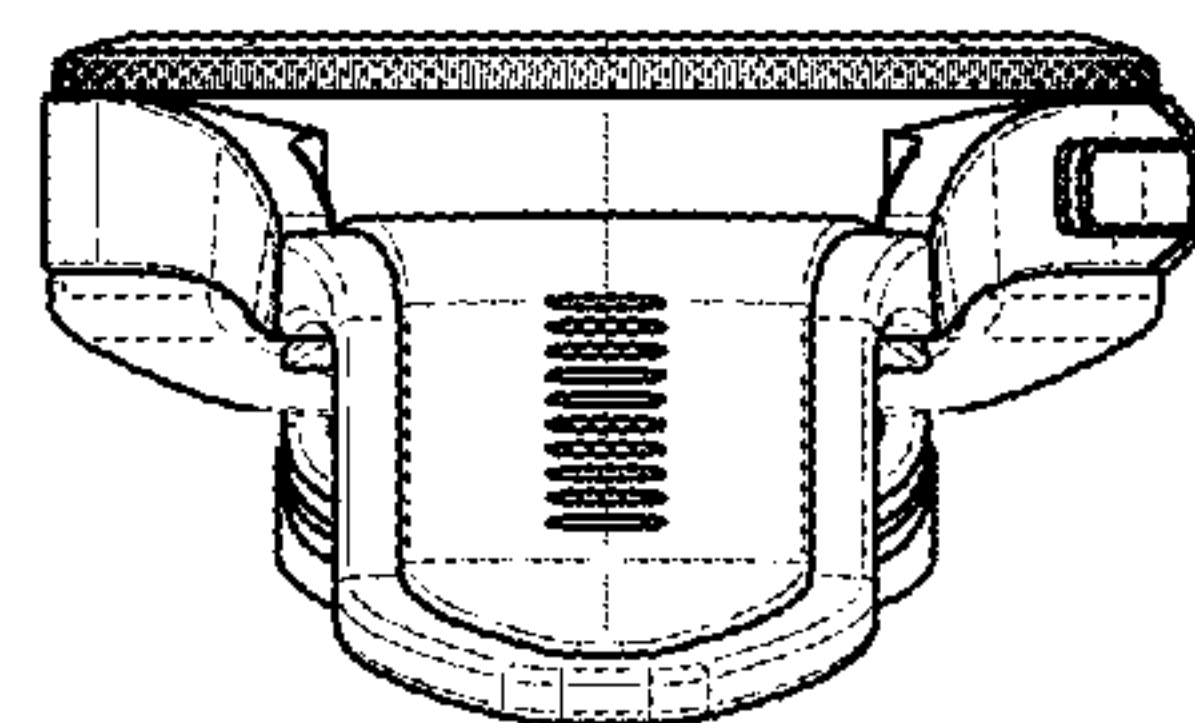


FIG. 19

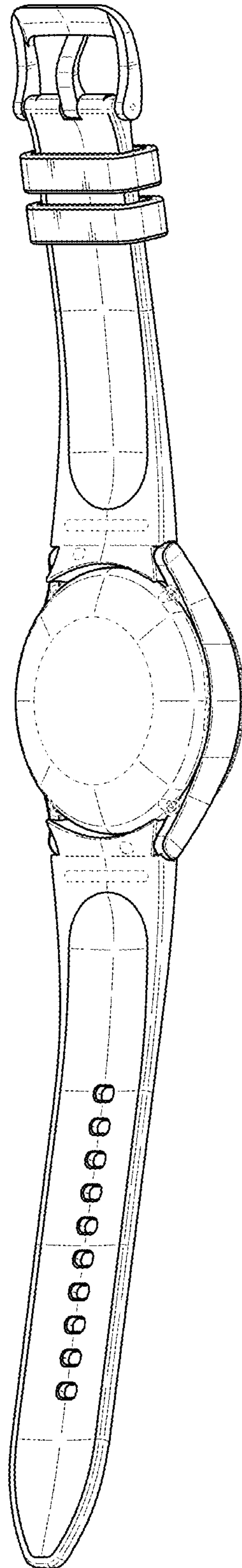


FIG. 20

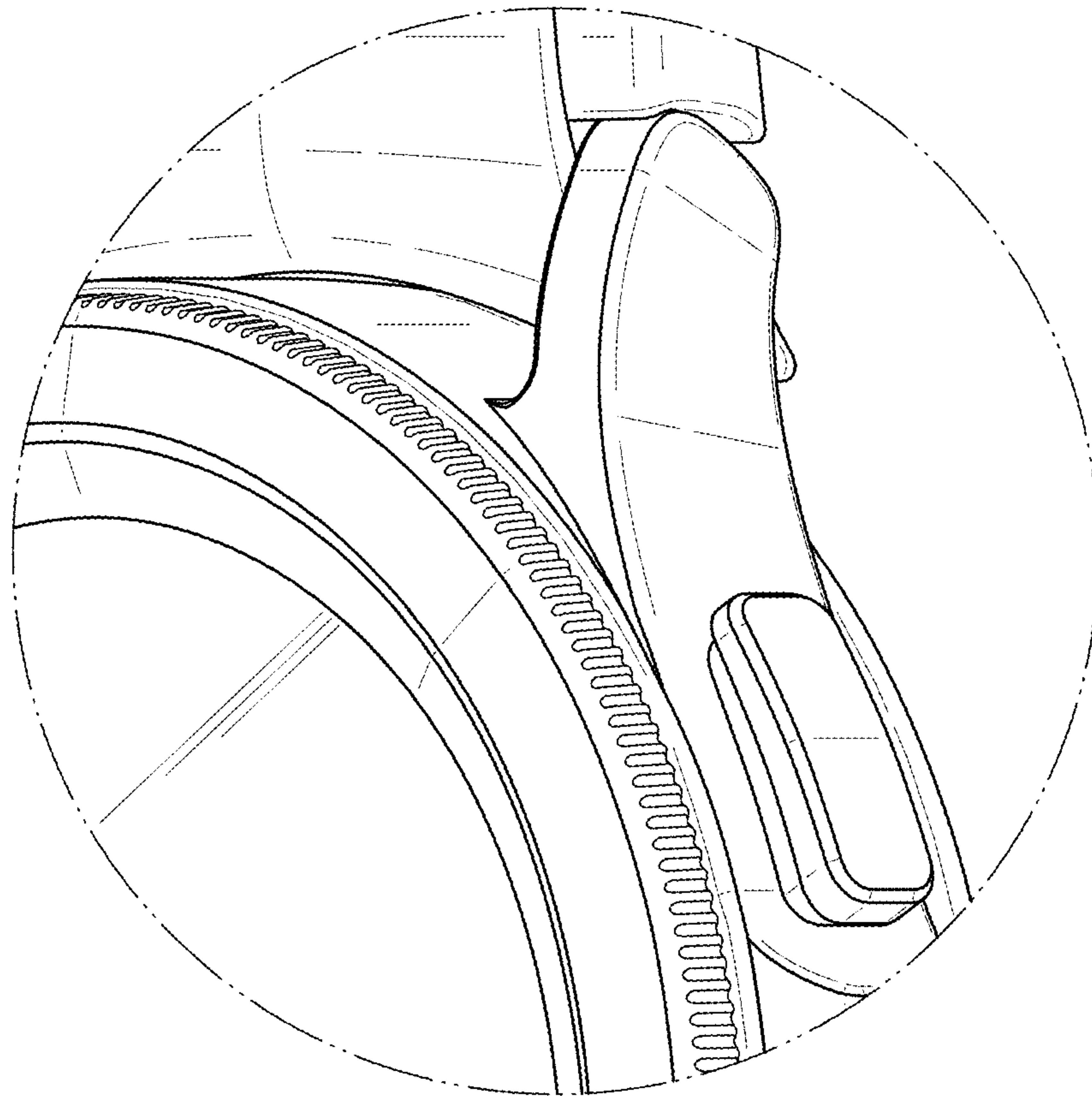


FIG. 21

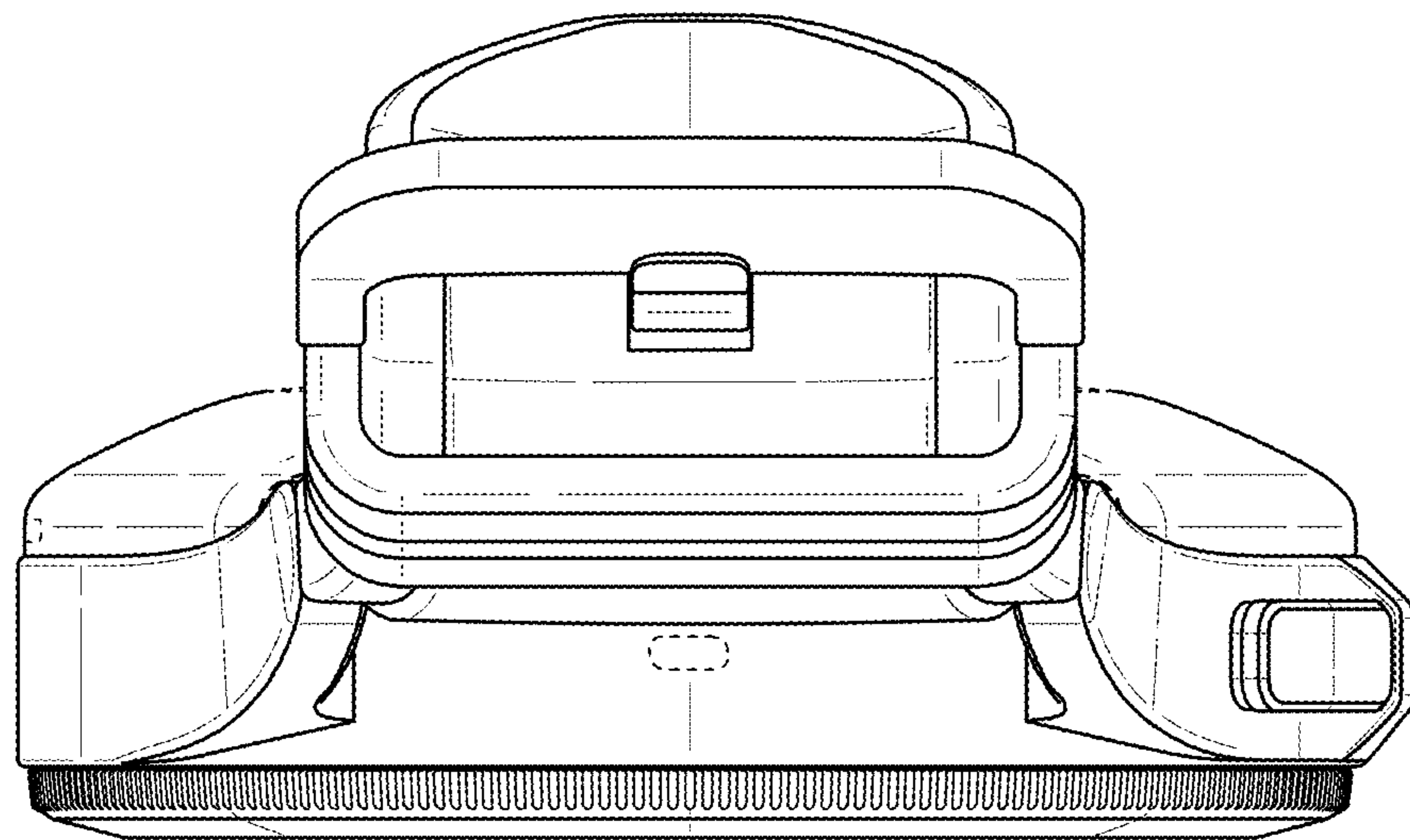


FIG. 22

