



US00D986238S

(12) **United States Design Patent**
He et al.

(10) **Patent No.:** **US D986,238 S**
(45) **Date of Patent:** **** May 16, 2023**

(54) **SMARTWATCH**

FOREIGN PATENT DOCUMENTS

(71) Applicant: **SHENZHEN DO INTELLIGENT TECHNOLOGY CO., LTD.**, Shenzhen (CN)

CN 305371140 10/2019
CN 305780230 5/2020
EM 003772649-0001 5/2017

(72) Inventors: **An He**, Shenzhen (CN); **Peng Li**, Shenzhen (CN)

OTHER PUBLICATIONS

(73) Assignee: **SHENZHEN DO INTELLIGENT TECHNOLOGY CO., LTD.**, Guandong (CN)

Smart Watch CUBOT Fitness Watch, Amazon, first available date Feb. 3, 2021, (online) URL: https://www.amazon.com/Compatible-CUBOT-Waterproof-Smartwatch-Pedometer/dp/B08VHYJJGW/ref=sr_1_fkmr3_2 (Year: 2021).*

(**) Term: **15 Years**

(Continued)

(21) Appl. No.: **29/802,337**

Primary Examiner — Nicole C Shiflet

(22) Filed: **Aug. 4, 2021**

Assistant Examiner — Antoinette Martine Suiter

(74) *Attorney, Agent, or Firm* — Perry + Currier

(30) **Foreign Application Priority Data**

(57) **CLAIM**

Jun. 4, 2021 (CN) 202130347078.1

The ornamental design for a smartwatch, as shown and described.

(51) **LOC (14) Cl.** **14-02**

(52) **U.S. Cl.**
USPC **D14/344; D10/70**

DESCRIPTION

(58) **Field of Classification Search**
USPC D10/38, 32; D11/3, 5, 94, 12; D24/167, D24/186
CPC G06F 1/163; G06F 3/016; G08B 21/24
See application file for complete search history.

FIG. 1 is a front, right and top side perspective view of a smartwatch showing our new design;
FIG. 2 is a rear, left and bottom side perspective view thereof;
FIG. 3 is a front elevation view thereof;
FIG. 4 is a rear elevation view thereof;
FIG. 5 is as left side elevation view thereof;
FIG. 6 is a right side elevation view thereof;
FIG. 7 is a top plan view thereof;
FIG. 8 is a bottom plan view thereof; and,
FIG. 9 is a partial enlarged view of FIG. 2.

(56) **References Cited**

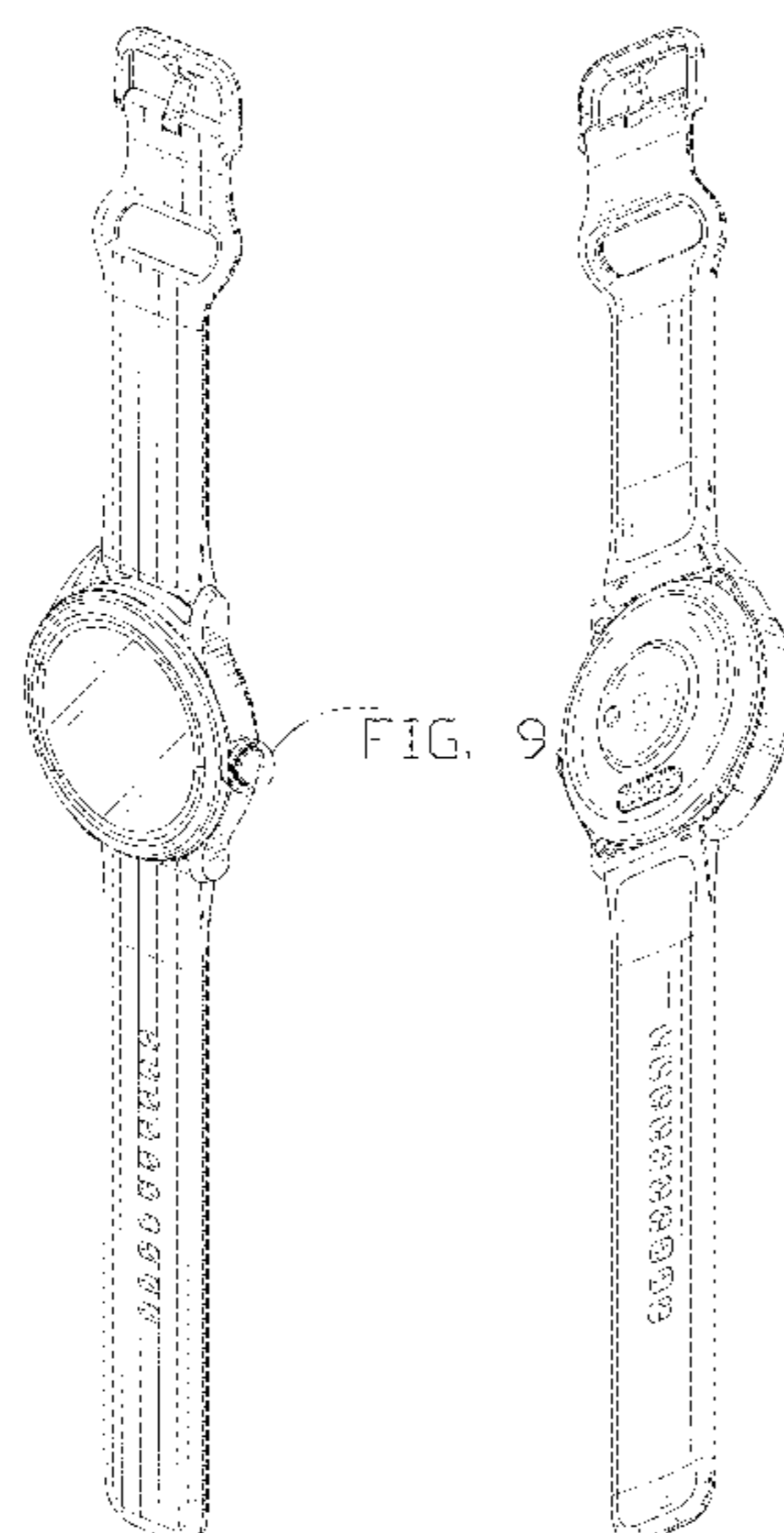
U.S. PATENT DOCUMENTS

D333,988 S * 3/1993 Dumas D10/38
D361,726 S * 8/1995 Mabbitt D10/30
D382,819 S * 8/1997 Shapiro D10/122
D617,213 S * 6/2010 Dolce D10/38
D652,325 S * 1/2012 Ahlstrom D10/38
D664,865 S * 8/2012 Luk Ying Yee D10/38
D678,081 S * 3/2013 Cabiddu D10/38
D764,949 S * 8/2016 Bonoli D10/38
D767,566 S * 9/2016 Morgenroth D14/344

The dash-dash broken lines depict portions of the smartwatch in which the design is embodied that form no part of the claimed design.

The dot-dash broken lines disclose enlarged views of the smartwatch that form no part of the claimed design.

1 Claim, 9 Drawing Sheets



(56)

References Cited

U.S. PATENT DOCUMENTS

D773,944 S * 12/2016 Wang D10/70
 D778,737 S * 2/2017 Jacobs D10/38
 D815,090 S 4/2018 Chan et al.
 D817,953 S * 5/2018 Choi D14/344
 D823,302 S * 7/2018 Yoshimoto D14/344
 D823,853 S * 7/2018 Yoshimoto D14/344
 D827,640 S * 9/2018 Andersson D14/344
 D836,466 S * 12/2018 Shi D14/344
 D847,663 S * 5/2019 Kohda D10/38
 D868,779 S * 12/2019 Reivo D14/344
 D876,966 S * 3/2020 Shi D14/344
 D893,474 S * 8/2020 Chung D14/344
 D894,179 S * 8/2020 Chung D14/344
 D900,643 S * 11/2020 Barberis D14/344
 D904,207 S * 12/2020 Kamilindi D10/38
 D909,225 S * 2/2021 Riot D14/344
 D912,542 S * 3/2021 Moilanen D14/344
 D913,116 S * 3/2021 Droze D10/32
 D916,601 S * 4/2021 Ylikörkkö D14/344

D918,059 S * 5/2021 Wang D14/344
 D923,004 S * 6/2021 Gao D14/344
 D927,325 S * 8/2021 Droze D10/32
 D927,991 S * 8/2021 Ide D14/344
 D931,116 S * 9/2021 Droze D10/32
 D933,065 S * 10/2021 Hong D14/344
 D937,101 S * 11/2021 Yuan D14/344
 D941,855 S * 1/2022 Gu D10/32

OTHER PUBLICATIONS

Efolen, "Efolen 4G Kids Smart Watch User Guide." Manuals , Jul. 31, 2021, downloaded on Dec. 9, 2021 from URL: <https://manuals.plus/efolen/4g-kids-smart-watch-manual>.
 getitworld.com, "Calybre Calling Smart Watch Metal Dial Quality, Men, Women Leather Strap." Calybre Calling Smart Watch, 2021, downloaded on Dec. 9, 2021 from URL: <https://www.getitworld.com/Products/CALYBRE-CALLING-SMART-WATCH-METAL-SILVER>.

* cited by examiner

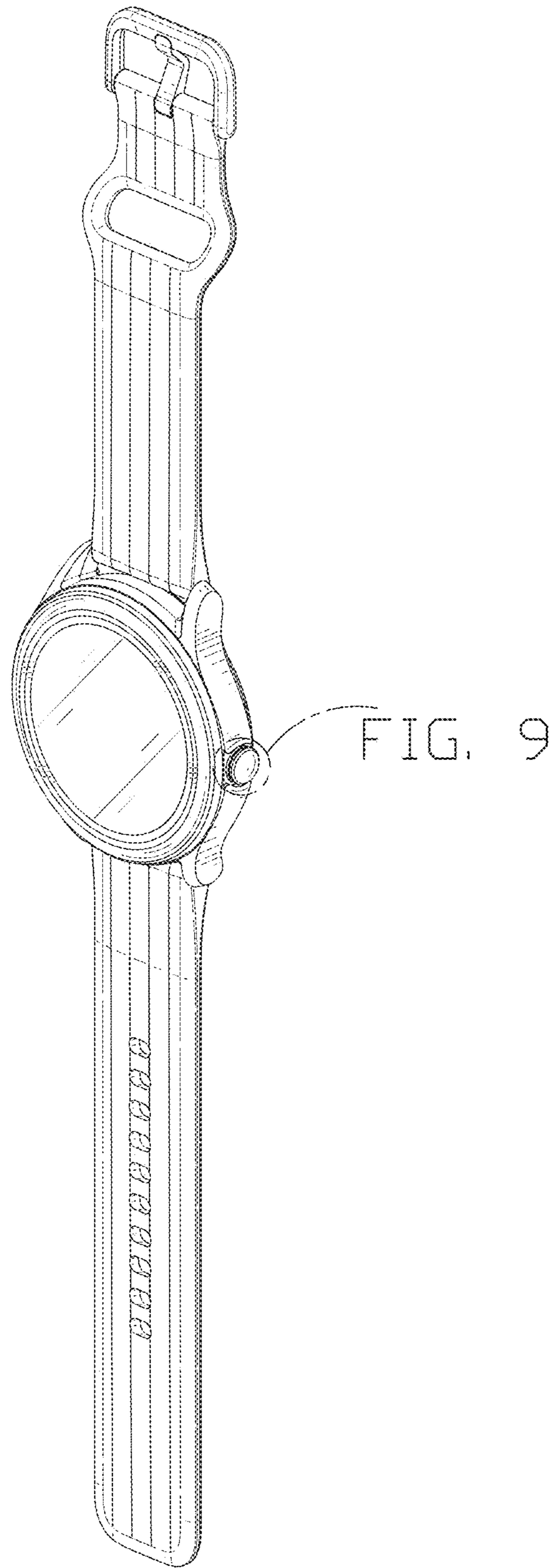


FIG. 1

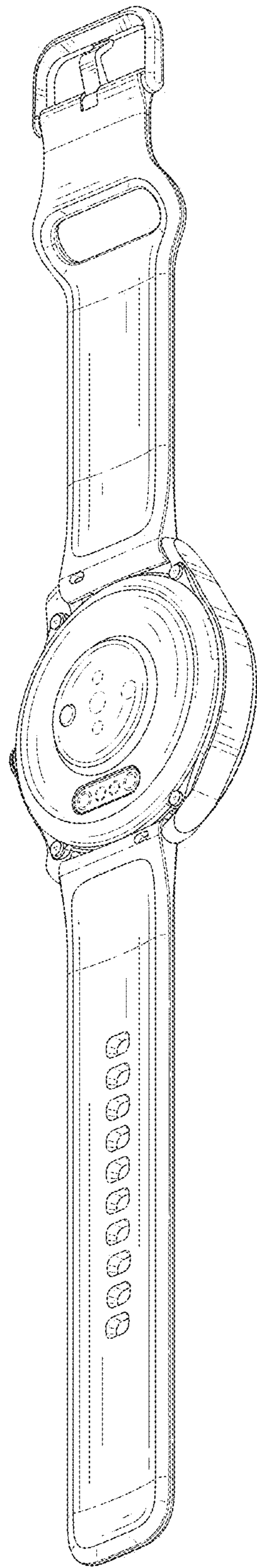


FIG. 2

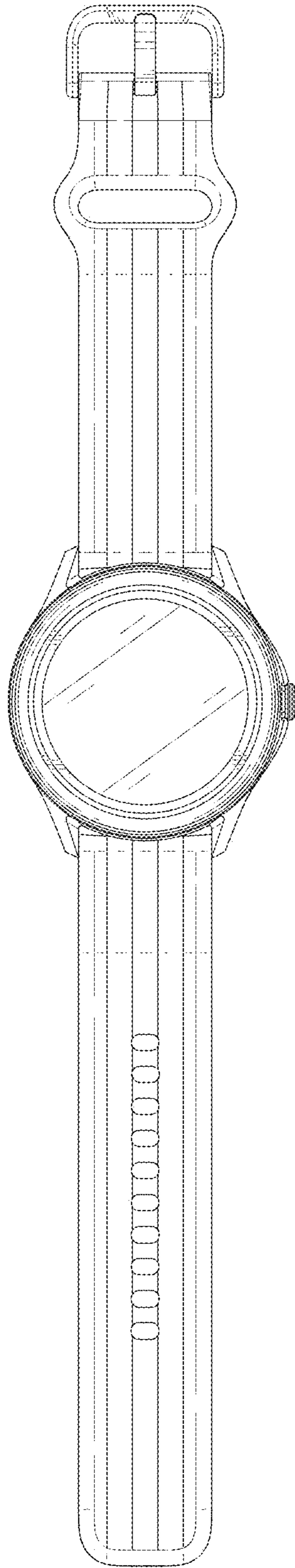


FIG. 3

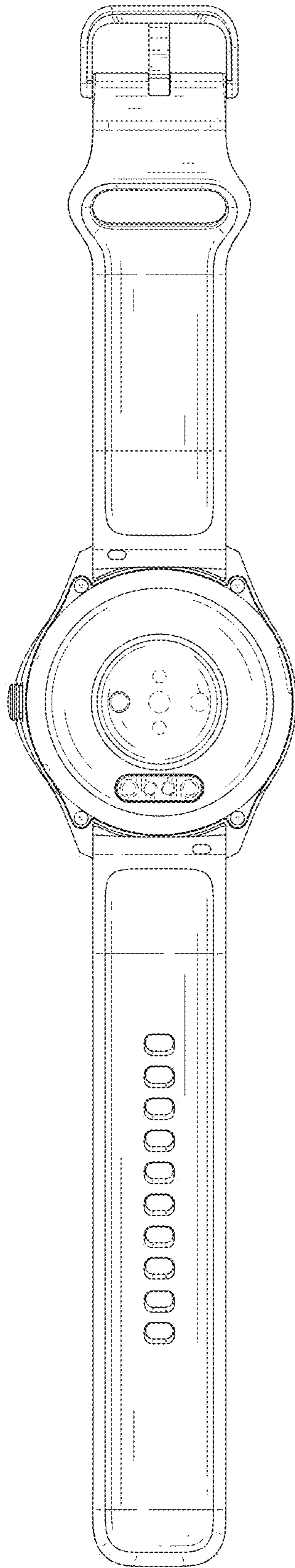


FIG. 4

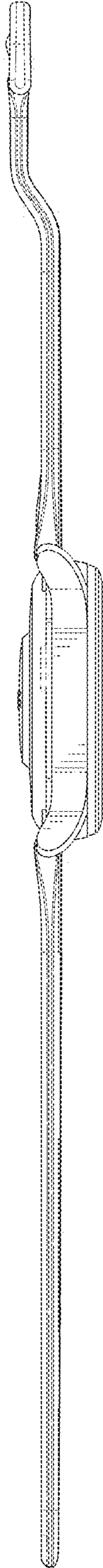


FIG. 5

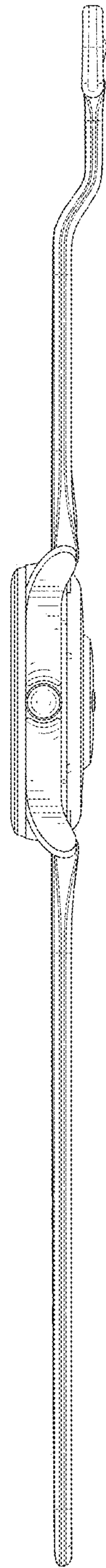


FIG. 6

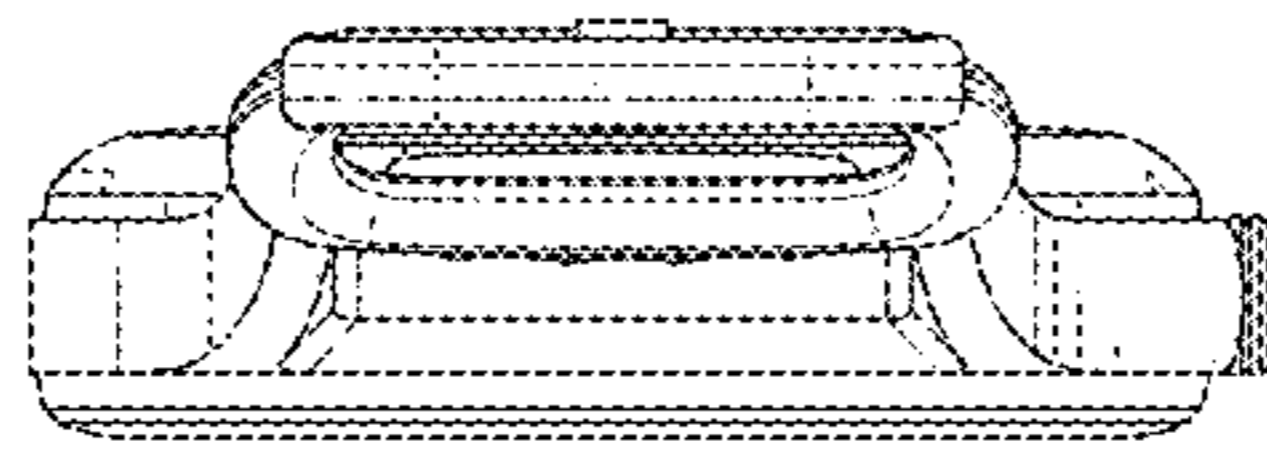


FIG. 7

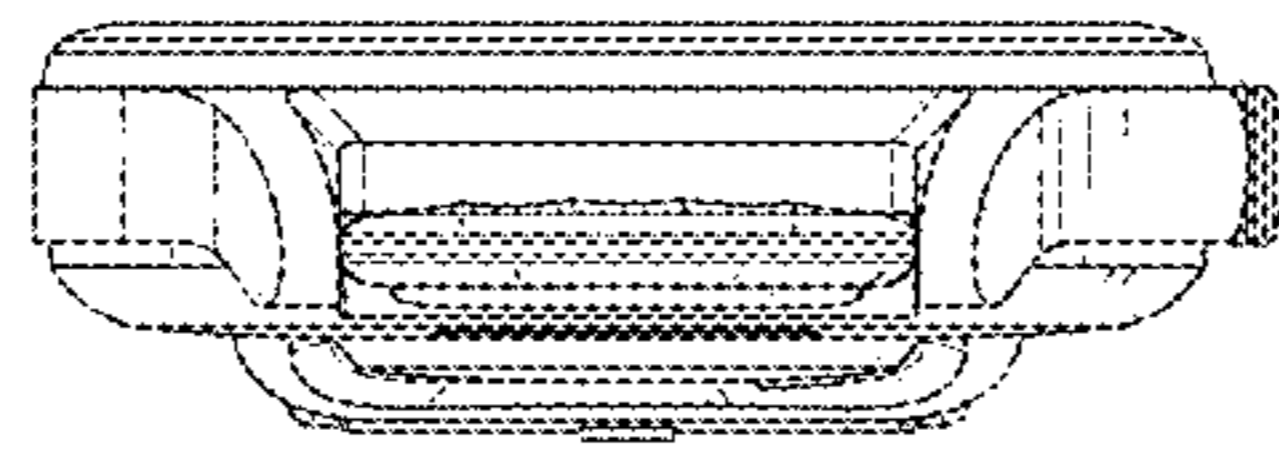


FIG. 8

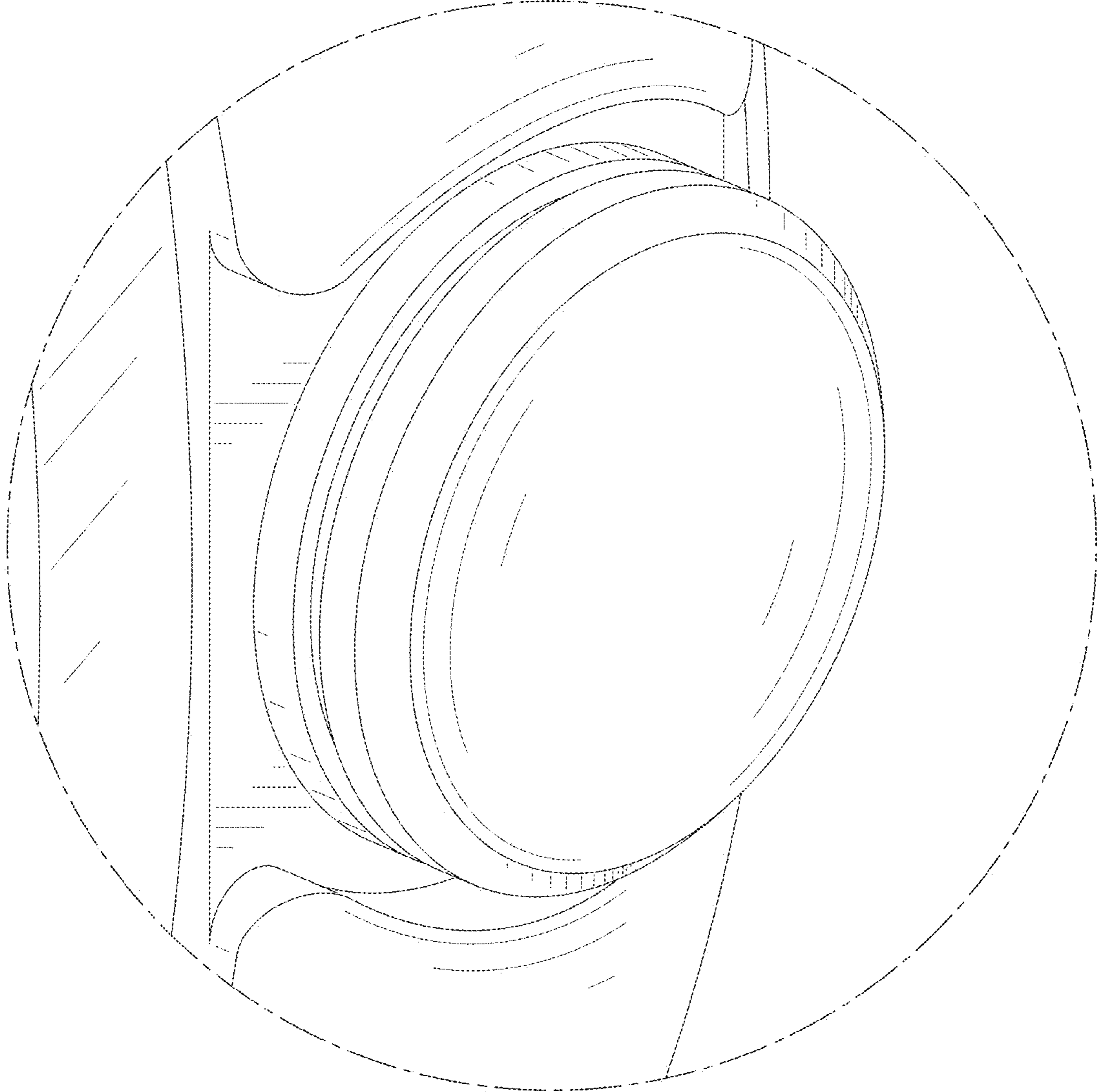


FIG. 9