



US00D986237S

(12) **United States Design Patent**
He et al.

(10) **Patent No.:** **US D986,237 S**

(45) **Date of Patent:** **** May 16, 2023**

(54) **BODY OF SMART WATCH**

FOREIGN PATENT DOCUMENTS

(71) Applicant: **SHENZHEN DO INTELLIGENT TECHNOLOGY CO., LTD.**, Shenzhen (CN)

HK 1500231-0001 * 5/2015
HK 1500708-0001 * 7/2015

(Continued)

(72) Inventors: **An He**, Shenzhen (CN); **Yanjun Xie**, Shenzhen (CN)

OTHER PUBLICATIONS

(73) Assignee: **SHENZHEN DO INTELLIGENT TECHNOLOGY CO., LTD.**, Guangdong (CN)

Fitpolo Fitness Tracker—Amazon, Announced on Sep. 20, 2019 [online], retrieved on Nov. 15, 2022, retrieved from internet, <https://www.amazon.com/Fitpolo-Waterproof-Monitoring-Pedometer-Activity/dp/B07Y4PT2NH> (Year: 2019).*

(Continued)

(**) Term: **15 Years**

(21) Appl. No.: **29/776,428**

Primary Examiner — Barbara Fox

Assistant Examiner — Noah Perez

(22) Filed: **Mar. 30, 2021**

(74) *Attorney, Agent, or Firm* — Perry + Currier Inc.

(30) **Foreign Application Priority Data**

(57) **CLAIM**

Jan. 22, 2021 (CN) 202130048504.1

The ornamental design for a body of smart watch, as shown.

(51) **LOC (14) Cl.** **14-02**

(52) **U.S. Cl.**
USPC **D14/344**

(58) **Field of Classification Search**
USPC D5/56, 59–60, 99; D10/30–39, 70, 98, D10/1–2, 5, 10, 14–15, 21, 30–41; D11/3, 4, 5, 8, 26, 93–94, 78.1, 79, 86, D11/99; D14/138 R, 144, 341, 344, 358, D14/388, 218; D24/167, 186–190, 164, D24/169

(Continued)

DESCRIPTION

FIG. 1 is a front, right and top side perspective view of a body of smart watch showing our new design;
FIG. 2 is a rear, left and bottom side perspective view of the body of smart watch;
FIG. 3 is a front elevational view of the body of smart watch;
FIG. 4 is a rear elevational view of the body of smart watch;
FIG. 5 is a left side elevational view of the body of smart watch;
FIG. 6 is a right side elevational view of the body of smart watch;
FIG. 7 is a top plan view of the body of smart watch; and,
FIG. 8 is a bottom plan view of the body of smart watch.
The broken lines depict portions of the body of smart watch that form no part of the claimed design.

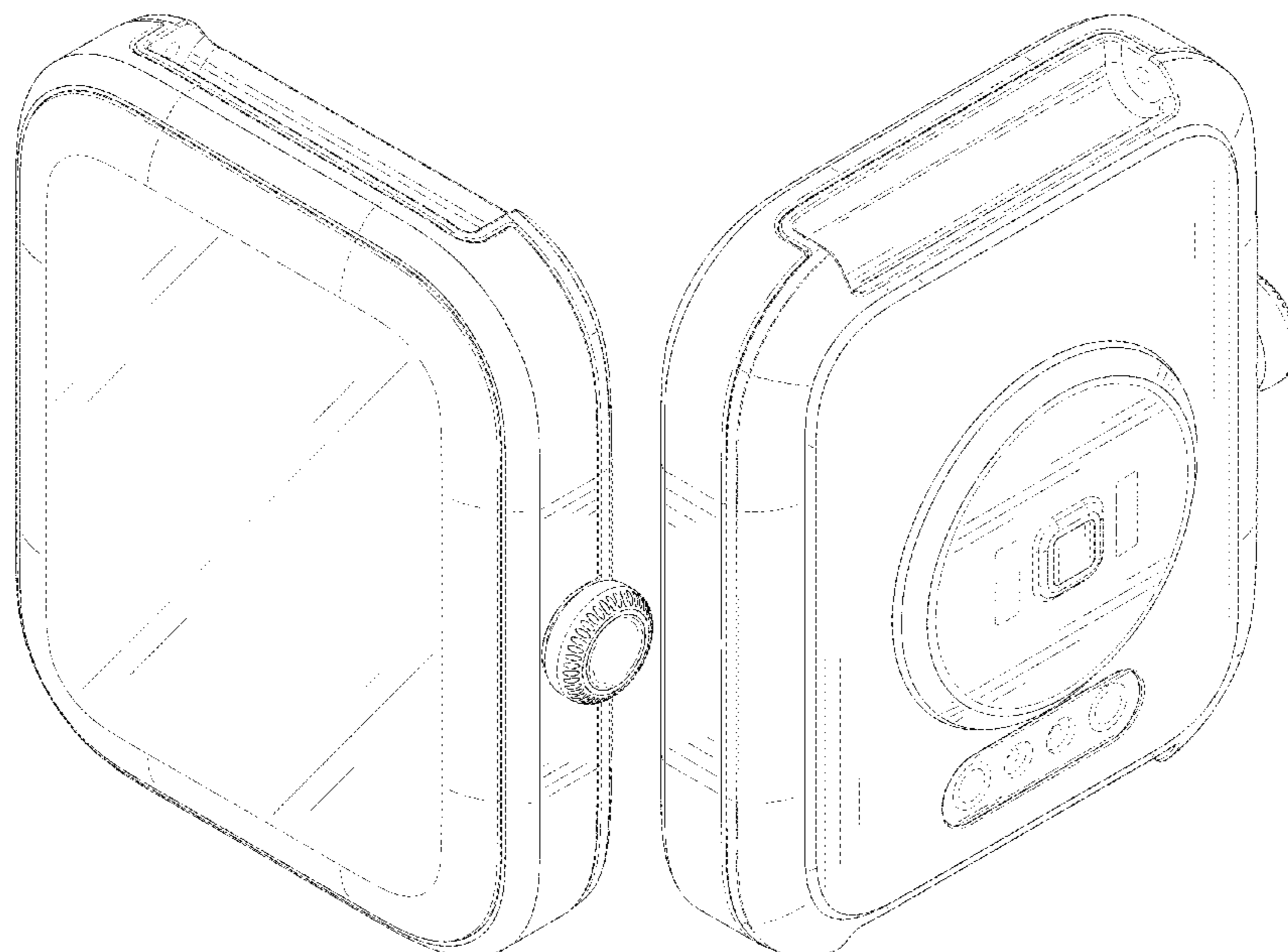
(56) **References Cited**

U.S. PATENT DOCUMENTS

D741,726 S * 10/2015 Akana D10/70
D747,979 S * 1/2016 Babcock D10/38

(Continued)

1 Claim, 8 Drawing Sheets



(58) Field of Classification Search

CPC A41D 1/002; A41D 19/0034; G04G 17/00;
 G04G 17/02; G04G 17/08; G04G 17/083;
 G04G 17/086; G04G 17/005; G04G
 13/028; G04G 11/00; G04G 9/00; G04B
 3/04; G04B 19/24; G04B 19/26; G04B
 37/00; G04B 45/0069; G04B 47/04;
 G04B 37/0008; G04B 27/0058; G04B
 37/12; G04B 37/18; G04B 45/00; G04B
 47/00; G04B 47/042; G04B 47/06; G04B
 47/063; G04B 19/00; G04B 19/04; G04C
 3/00; G04C 3/001; G04C 3/002; G04C
 3/004; G04C 3/005; G04C 2/007; G04C
 23/02; G04C 23/04; G04C 17/00; A44C
 5/00; A44C 5/0007; A44C 5/0053; A44C
 5/10; A44C 5/14

See application file for complete search history.

(56) References Cited

U.S. PATENT DOCUMENTS

D751,550 S * 3/2016 Solomon D14/344
 D756,824 S * 5/2016 Akana D10/70
 D759,011 S * 6/2016 Akana D14/344
 D760,717 S * 7/2016 Solomon D14/344
 D765,655 S * 9/2016 Tao D10/70
 D798,905 S * 10/2017 Akana D14/511
 D802,587 S * 11/2017 Lee D14/344
 D849,749 S * 5/2019 Akana D14/432
 D854,433 S * 7/2019 Vandebussche D10/70

D869,461 S * 12/2019 Ke D14/344
 D869,462 S * 12/2019 Ke D14/344
 D875,092 S * 2/2020 Akana D14/344
 D895,614 S * 9/2020 Vandebussche D14/344
 D895,615 S * 9/2020 Vandebussche D14/344
 D899,426 S * 10/2020 Akana D14/432
 D900,808 S * 11/2020 Vandebussche D14/344
 D913,289 S * 3/2021 Akana D14/432
 D915,398 S * 4/2021 Yu D14/344
 D949,144 S * 4/2022 Akana D14/344

FOREIGN PATENT DOCUMENTS

HK 1600284-0001 * 6/2016
 IL 54810 * 11/2015
 TW 173065-0001 * 1/2019

OTHER PUBLICATIONS

FirYawee—Amazon, Announced on Jun. 9, 2022 [online], retrieved on Nov. 15, 2022, retrieved from internet, <https://www.amazon.com/Notification-Fitness-Monitor-Assistant-Pedometer/dp/B0B3MHTBMV?th=1> (Year: 2022).*

Reokily—Amazon, Announced on May 24, 2022 [online], retrieved on Nov. 15, 2022, retrieved from internet, <https://www.amazon.com/REOKILY-Android-iPhones-Bluetooth-Smartwatch/dp/B0B1422S6Q> (Year: 2022).*

Dosspor—Ali Express, No Announcement Date [online], retrieved on Nov. 15, 2022, retrieved from internet, https://www.aliexpress.us/item/3256803336468793.html?gatewayAdapt=glo2usa4itemAdapt&_randl_shipto=US (Year: 2023).*

* cited by examiner

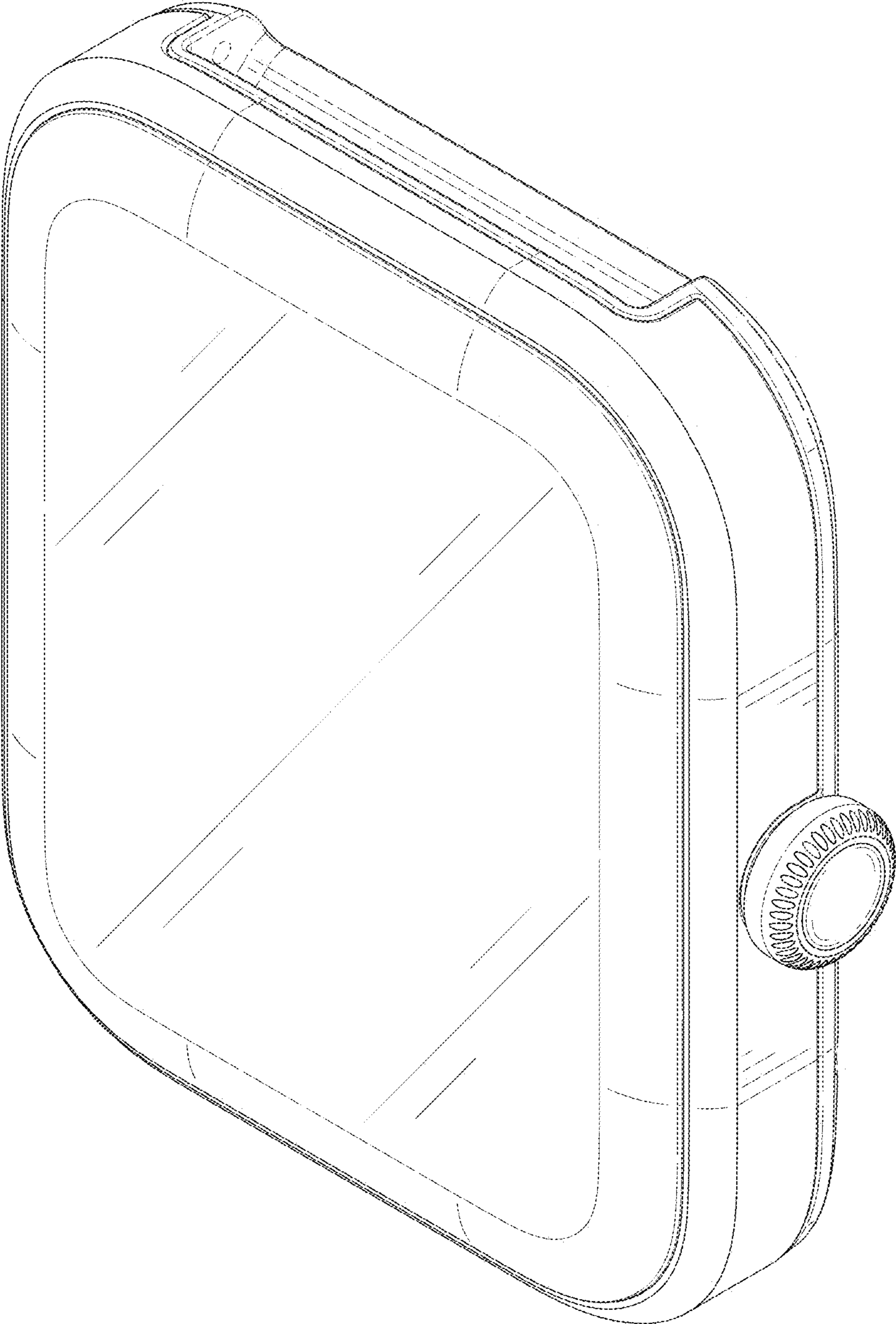


FIG. 1

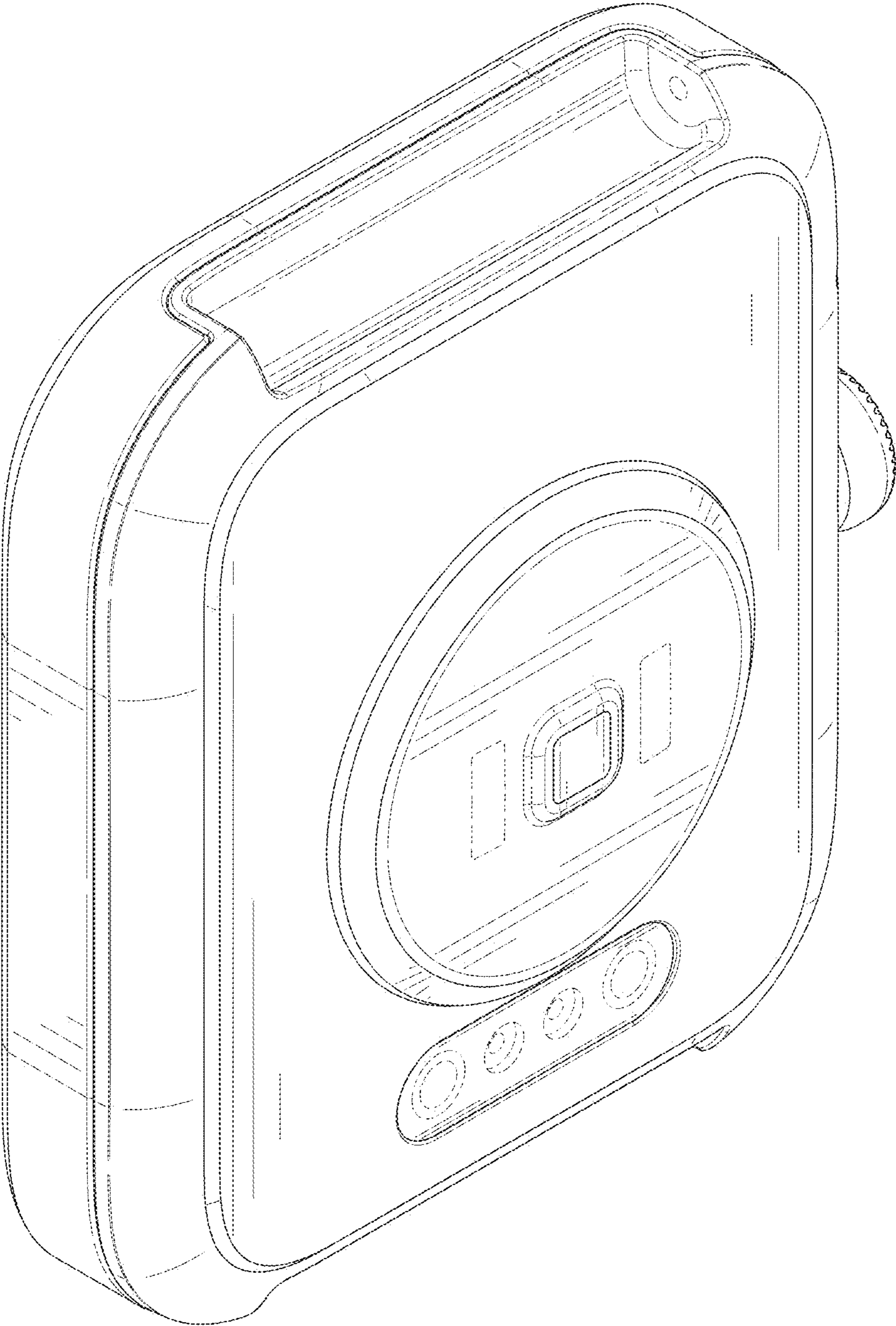


FIG. 2

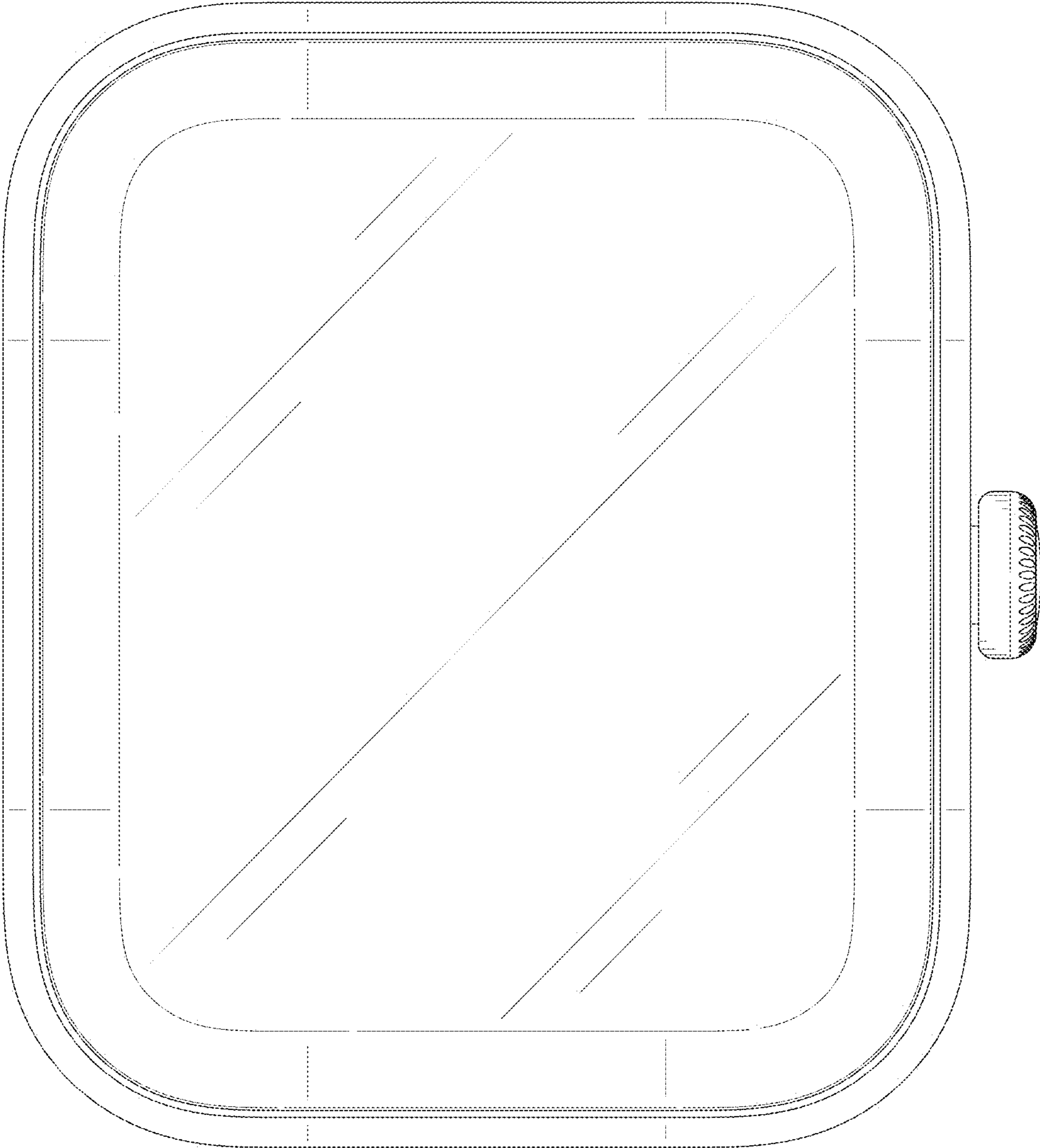


FIG. 3

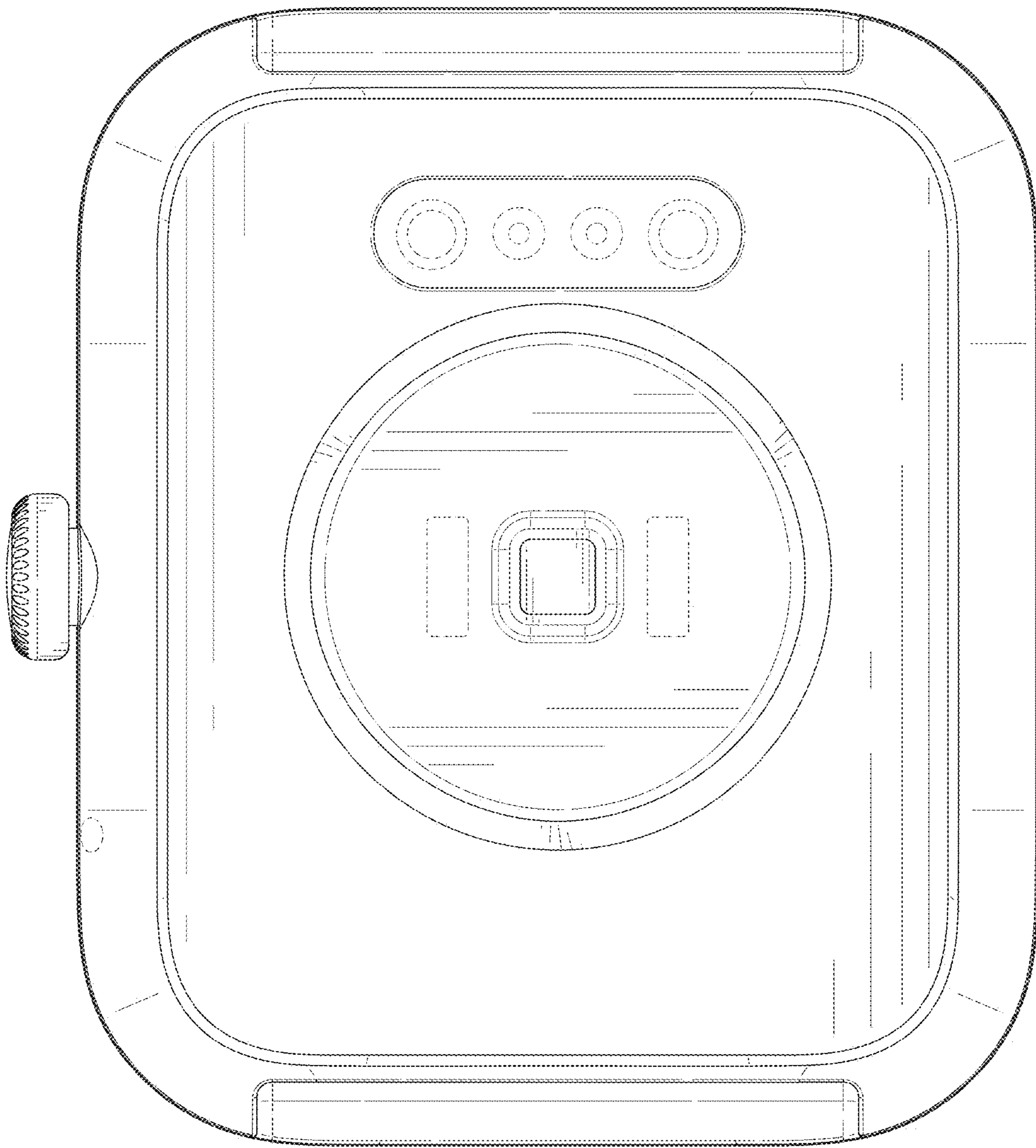


FIG. 4

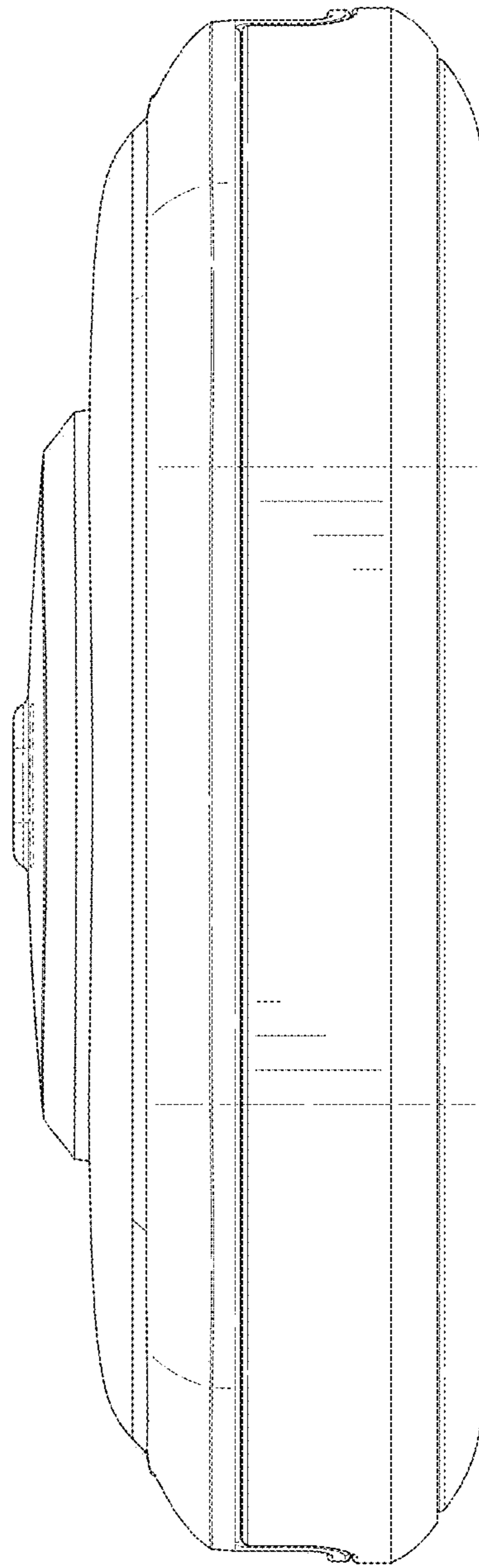


FIG. 5

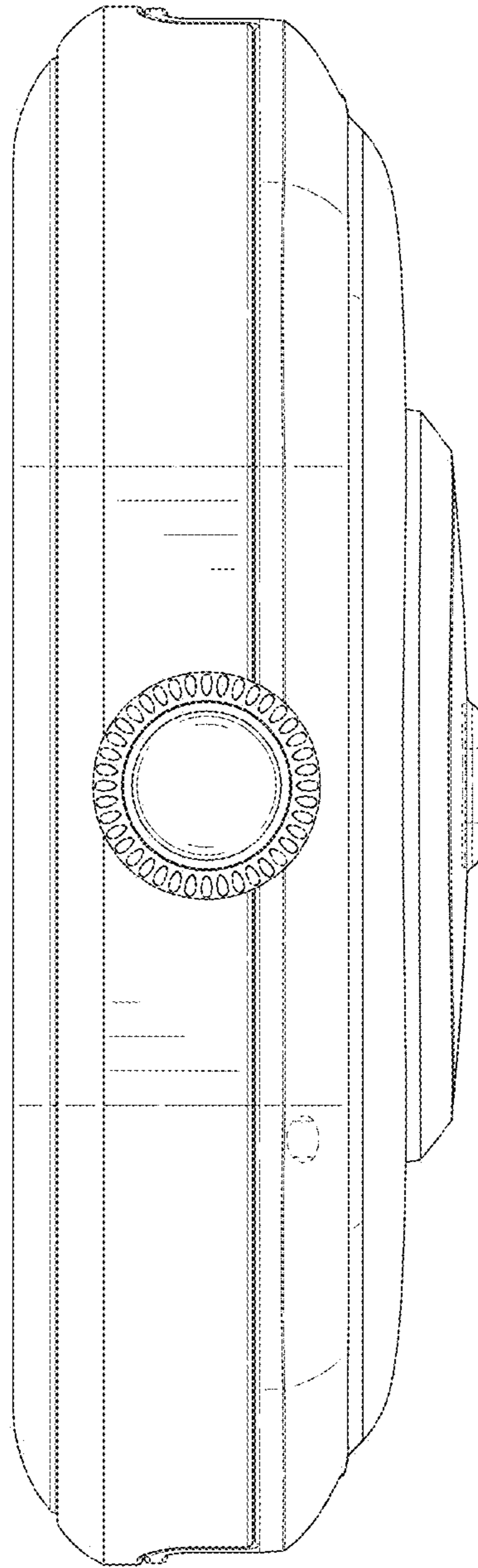


FIG. 6

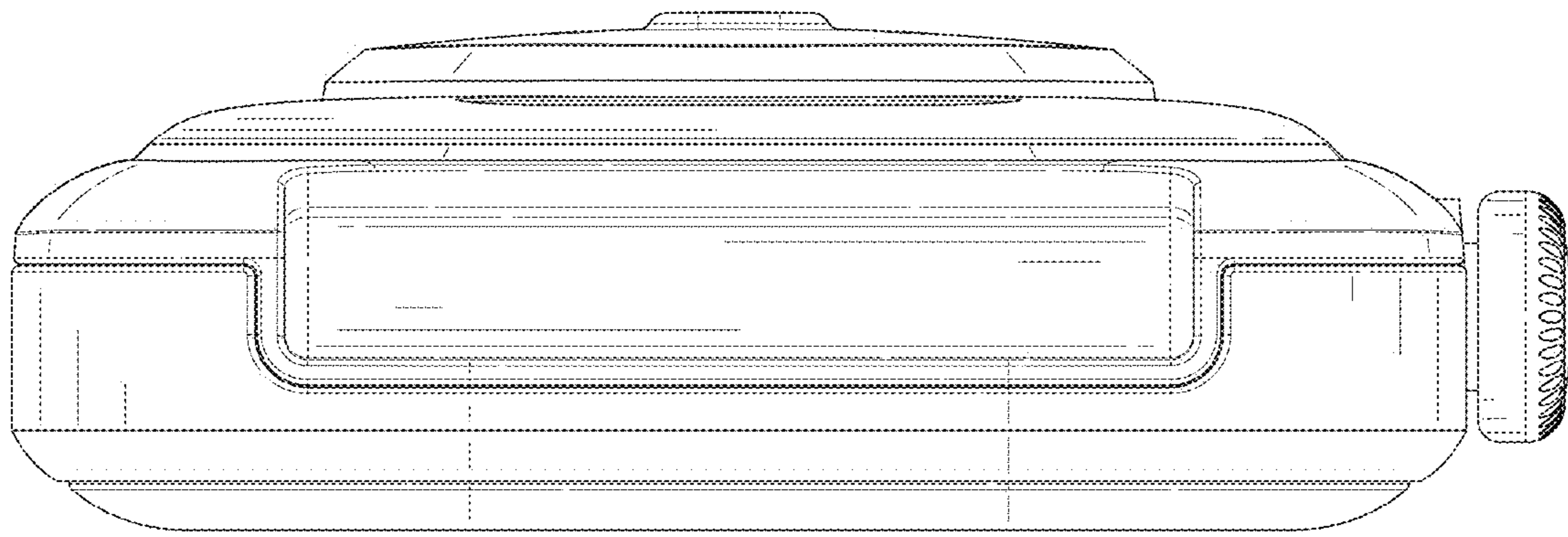


FIG. 7

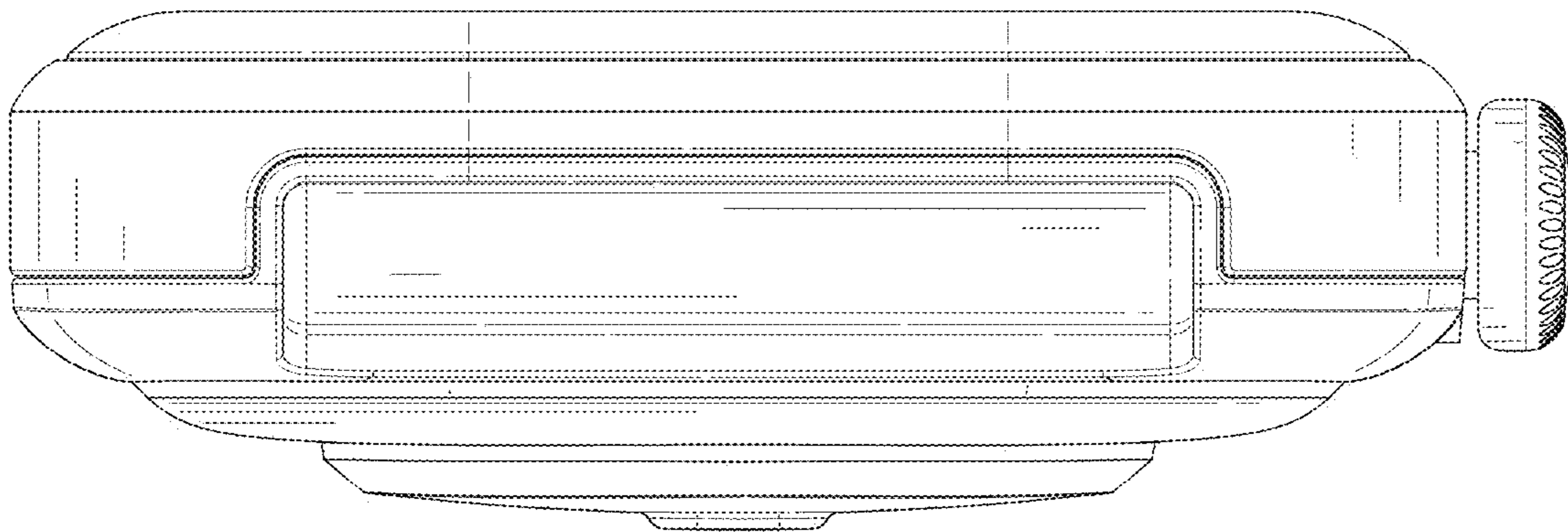


FIG. 8