



US00D986236S

(12) **United States Design Patent** (10) **Patent No.:** **US D986,236 S**
Hyun et al. (45) **Date of Patent:** **** May 16, 2023**

(54) **STAND FOR ELECTRONIC DEVICE**

D789,348 S * 6/2017 Kim D14/251
D791,861 S * 7/2017 Battle D18/4.5
D816,027 S * 4/2018 Chen D13/108

(71) Applicant: **SPIGEN KOREA CO., LTD.**, Seoul (KR)

(Continued)

(72) Inventors: **Chang Hoon Hyun**, Seoul (KR); **Soon Hyung Kwon**, Seoul (KR); **Jae Hong Cho**, Seoul (KR)

FOREIGN PATENT DOCUMENTS

EM 008523823-0001 * 5/2021
GB 6132587 * 4/2021

(73) Assignee: **SPIGEN KOREA CO., LTD.**, Seoul (KR)

OTHER PUBLICATIONS

(**) Term: **15 Years**

Spigen Mag Fit S Designed for MagSafe Charger Stand . . . [online].
Date first available Dec. 9, 2020. [Retrieved from the Internet Dec.
13, 2022.] <URL: <https://www.amazon.com/Spigen-Designed-Aluminum-Adjustable-Compatible/dp/B08Q3VDLNR> >.*

(21) Appl. No.: **29/652,780**

(Continued)

(22) Filed: **Nov. 26, 2020**

(51) **LOC (14) Cl.** **14-99**

Primary Examiner — Rebekah A Caruso

(52) **U.S. Cl.**
USPC **D14/253**; D14/447

(74) *Attorney, Agent, or Firm* — Bridgeway IP Law Group, PLLC; Jihun Kim; Hyun Woo Shin

(58) **Field of Classification Search**
USPC D14/250–253, 224, 224.1, 432–434, 440, D14/447, 451, 452; D12/114, 415, 426.1, D12/223, 406, 407; D16/242, 244, 245; D3/218; D13/108
CPC B60R 11/00; B60R 11/02; B60R 11/0241; B60R 11/0252; B60R 2011/0003; B60R 2011/0005; B60R 2011/0008; H04M 1/04; F16M 11/00; F16M 11/04; F16M 11/041; F16M 11/06; H05K 5/0204; A45C 2011/002; A45F 2200/0516

(57) **CLAIM**

The ornamental design for a stand for electronic device, as shown and described.

See application file for complete search history.

DESCRIPTION

(56) **References Cited**

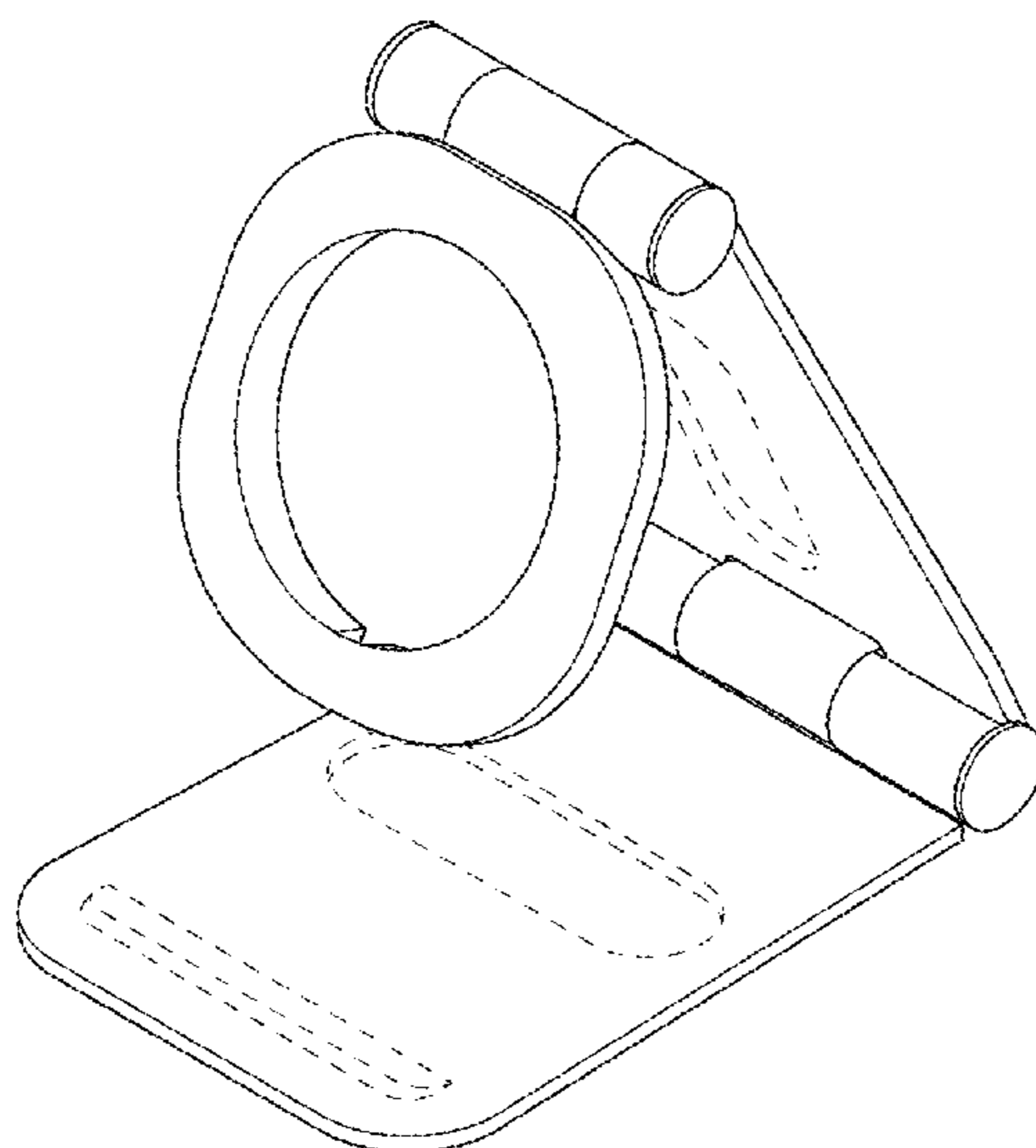
FIG. 1 is a front perspective view of the stand for electronic device showing our new design;
FIG. 2 is a rear perspective view thereof;
FIG. 3 is a front elevational view thereof;
FIG. 4 is a rear elevational view thereof;
FIG. 5 is a left side elevational view thereof;
FIG. 6 is a right side elevational view thereof;
FIG. 7 is a top plan view thereof; and,
FIG. 8 is a bottom plan view thereof.

U.S. PATENT DOCUMENTS

The broken lines throughout the drawing figures depict portions of the stand for electronic device that form no part of the claimed design. The broken lines and regions bounded by broken lines form no part of the claimed design.

D649,153 S * 11/2011 Symons D14/447
D677,261 S * 3/2013 Hsu D14/447
D689,478 S * 9/2013 Wikel D14/253
D703,676 S * 4/2014 Smith D14/447
9,207,711 B2 * 12/2015 Quijano F16M 11/10
D756,367 S * 5/2016 Kim D14/447

1 Claim, 8 Drawing Sheets



(56)

References Cited

U.S. PATENT DOCUMENTS

D829,725 S * 10/2018 Luo D14/447
D839,869 S * 2/2019 Wang D14/447
D844,690 S * 4/2019 Laurans D16/244
10,563,812 B2 * 2/2020 Chen F16M 11/041
D905,686 S * 12/2020 Zhang D14/253
D912,654 S * 3/2021 Weng D14/253
D920,981 S * 6/2021 Zhang D14/434
D929,986 S * 9/2021 Chen D14/253
D930,582 S * 9/2021 Lee D13/108
D930,583 S * 9/2021 Lee D13/108
D930,642 S * 9/2021 Chen D14/253
D931,291 S * 9/2021 Lye D14/447
D936,662 S * 11/2021 Gao D14/447
D944,788 S * 3/2022 Huang D14/253
D946,001 S * 3/2022 Liao D14/447
D952,644 S * 5/2022 Lee D14/447
D968,323 S * 11/2022 Wang D13/108

OTHER PUBLICATIONS

Superone Stand for MagSafe Charger . . . [online]. Date first available Dec. 1, 2020. [Retrieved from the Internet Dec. 13, 2022.]

<URL: <https://www.amazon.com/SUPERONE-Foldable-Adjustable-Aluminum-Compatible/dp/B08PCNKS1X> >.*

Mophie magnetic portable stand, MagSafe compatible . . . [online]. No post date available. [Retrieved from the Internet Dec. 13, 2022.]

<URL: <https://www.apple.com/shop/product/HPT92ZM/A/mophie-magnetic-portable-stand-magsafe-compatible> >.*

* cited by examiner

FIG. 1

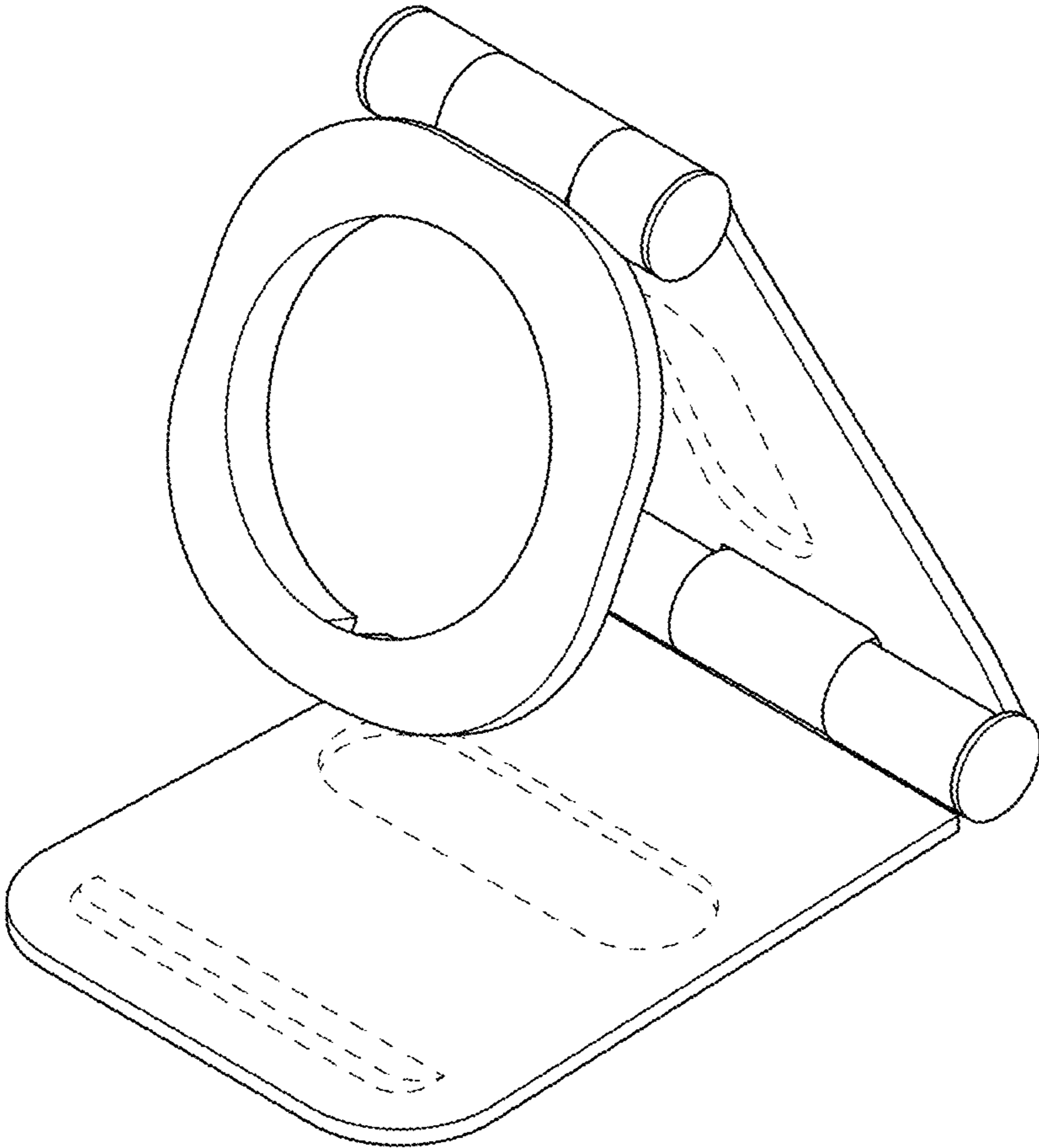


FIG. 2

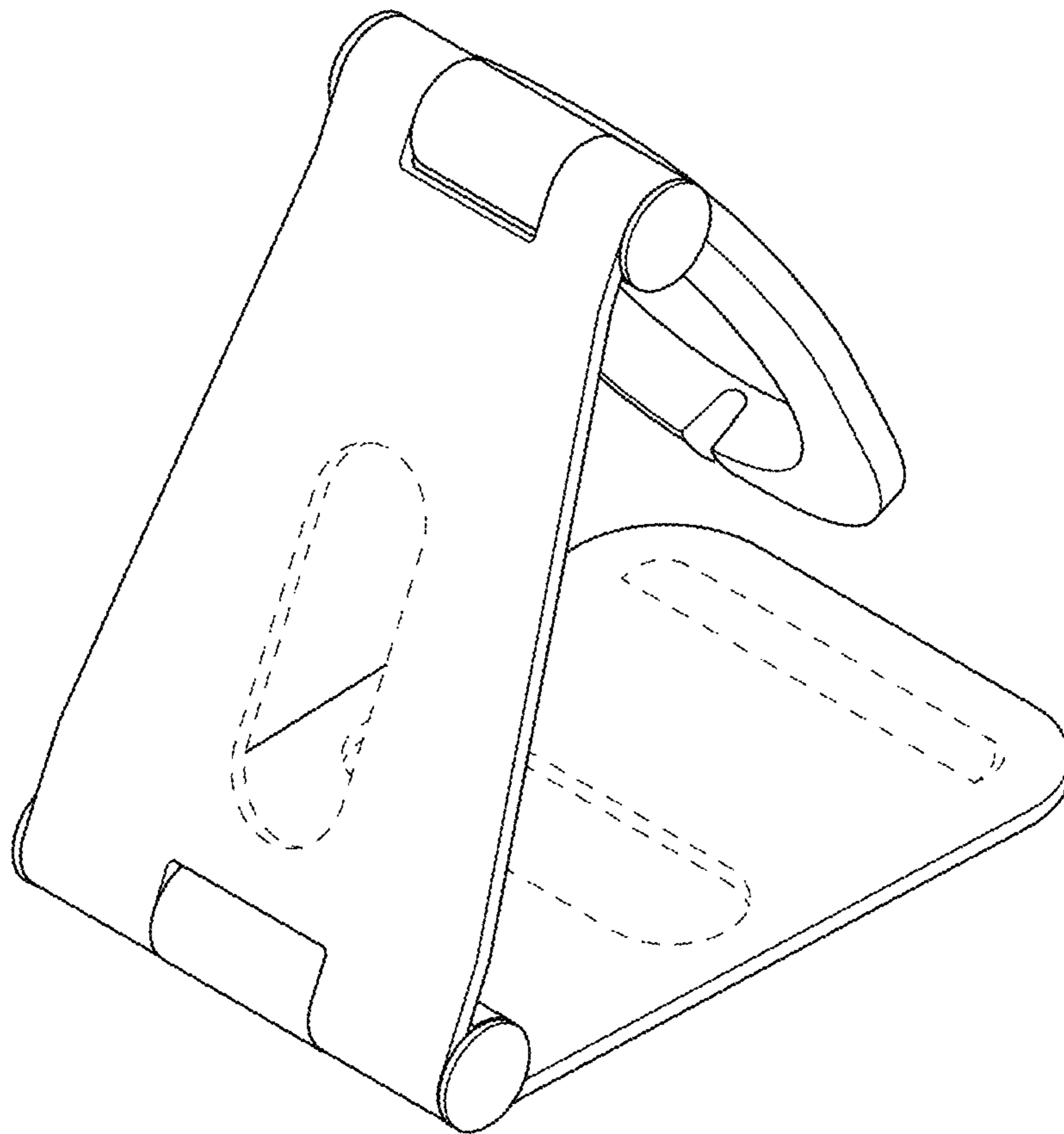


FIG. 3

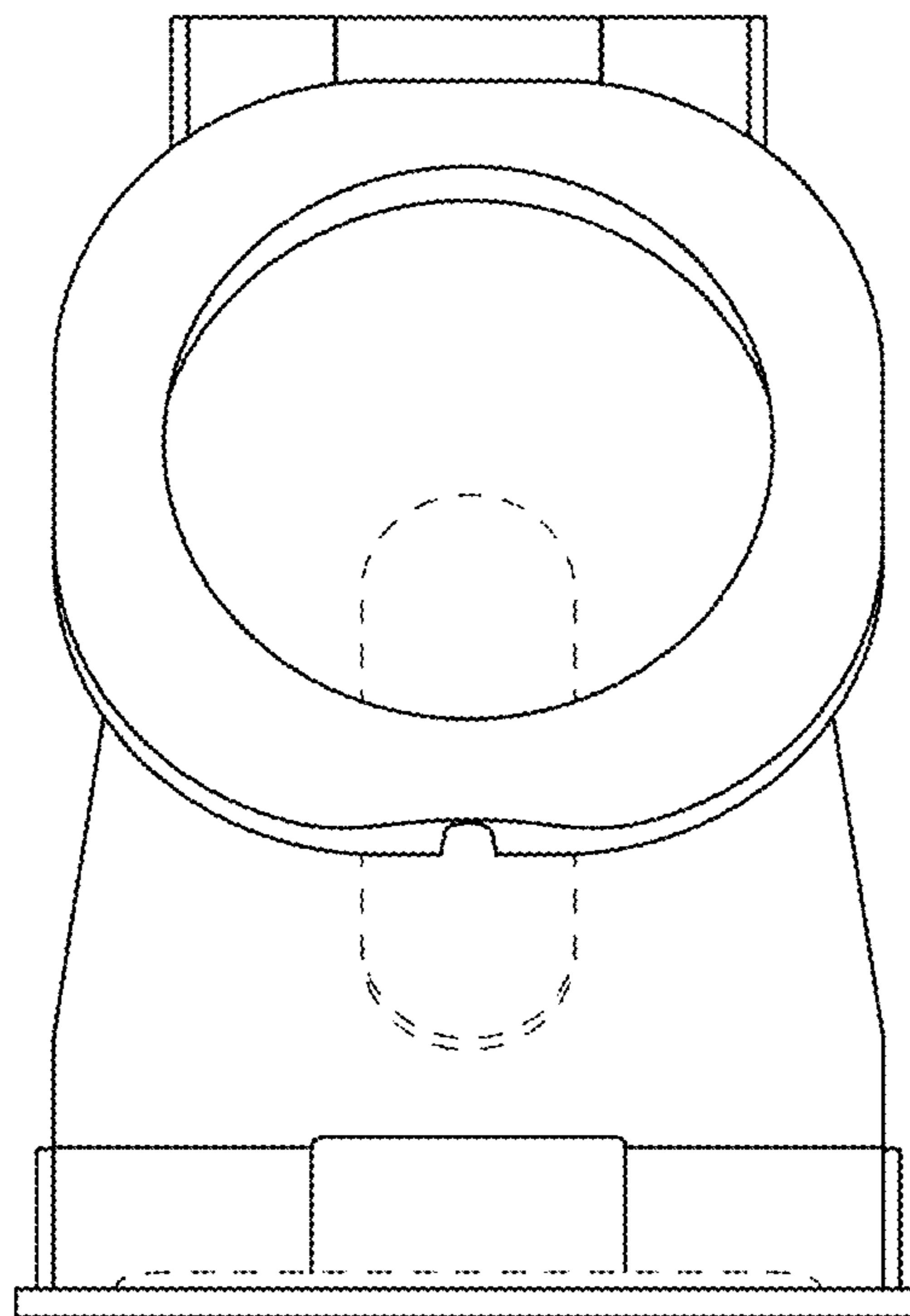


FIG. 4

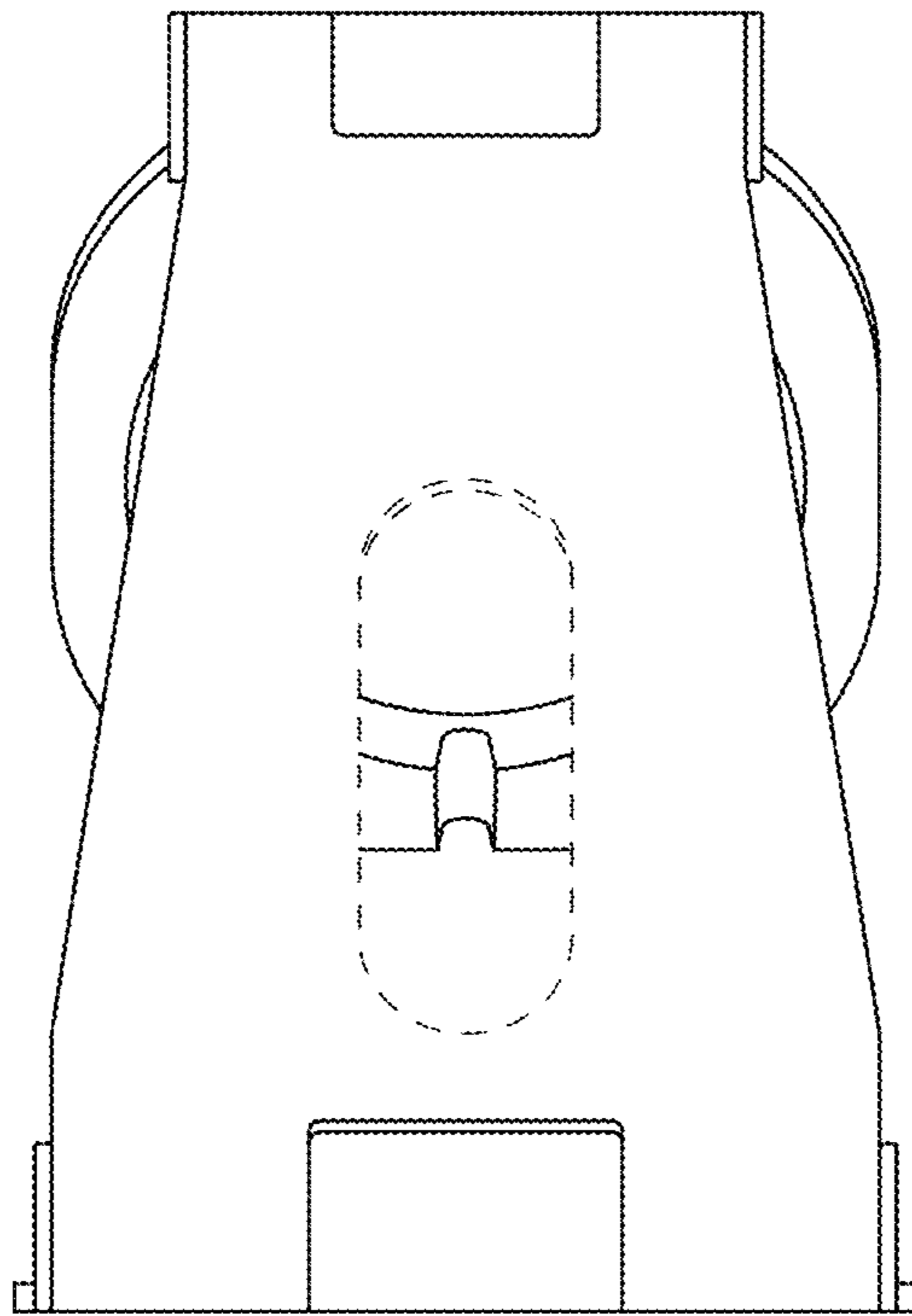


FIG. 5

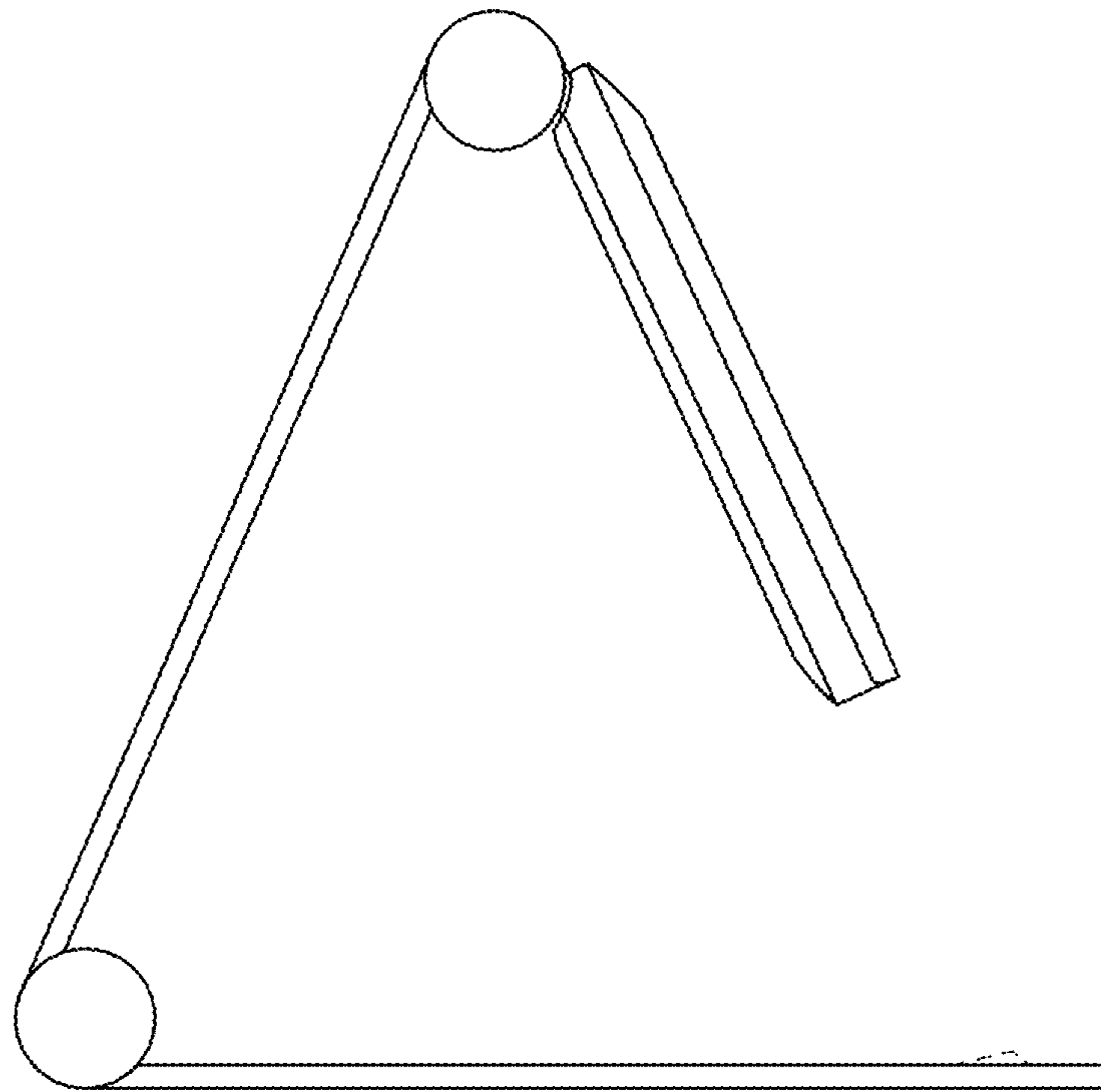


FIG. 6

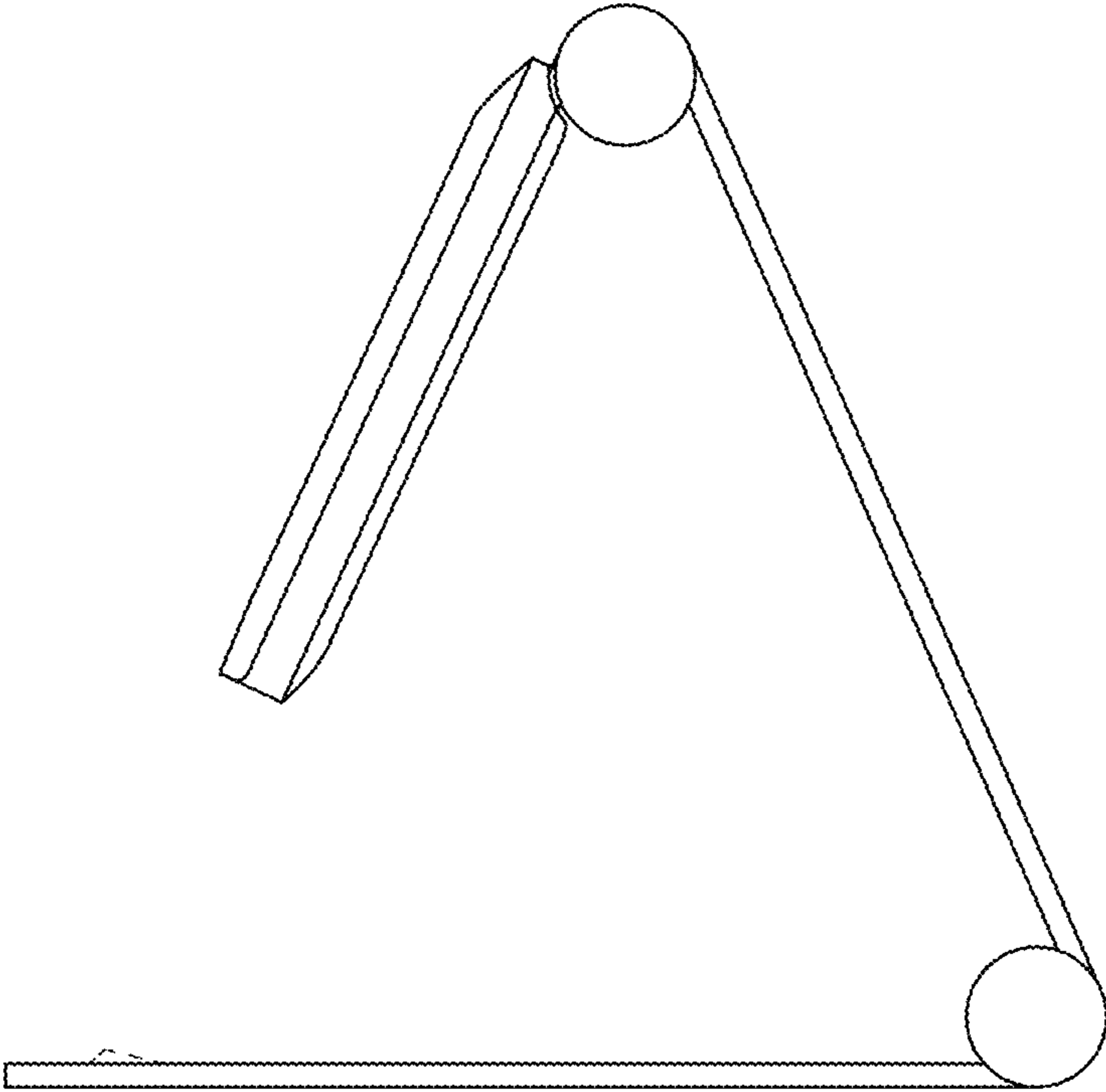


FIG. 7

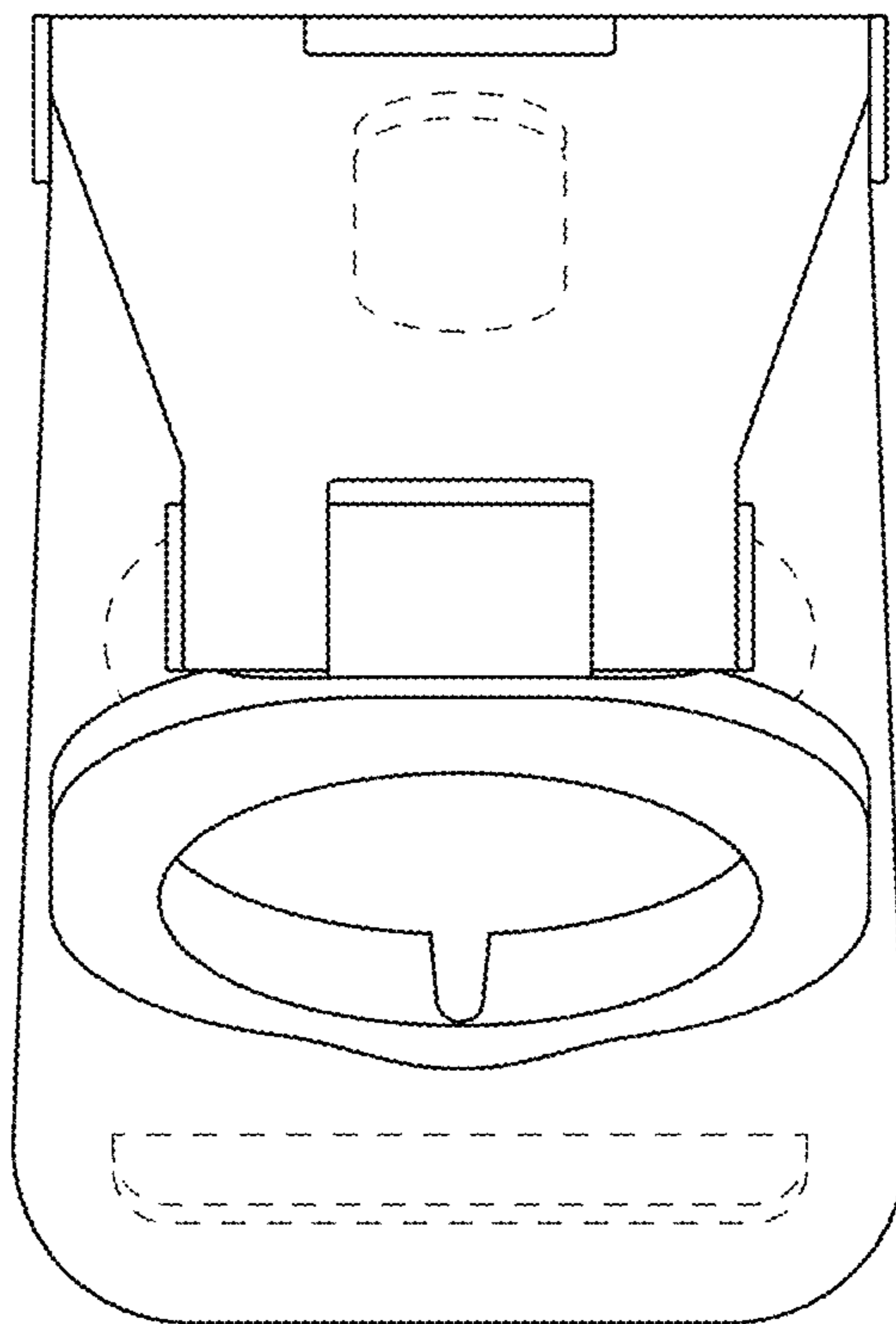


FIG. 8

