



US00D986235S

(12) **United States Design Patent** (10) **Patent No.:** **US D986,235 S**
Chen (45) **Date of Patent:** **** May 16, 2023**

(54) **SMARTPHONE STAND**
(71) Applicant: **Qinghua Chen**, Shenzhen (CN)
(72) Inventor: **Qinghua Chen**, Shenzhen (CN)
(**) Term: **15 Years**
(21) Appl. No.: **29/763,255**
(22) Filed: **Dec. 22, 2020**

D912,654 S * 3/2021 Weng D14/253
D938,409 S * 12/2021 Zheng D14/253
D944,240 S * 2/2022 Ye D14/253
(Continued)

FOREIGN PATENT DOCUMENTS

CN 306342189 * 2/2021
EM 007961164-0001 * 5/2020
EM 008202394-0001 * 10/2020
(Continued)

(51) **LOC (14) Cl.** **14-06**
(52) **U.S. Cl.**

OTHER PUBLICATIONS

USPC **D14/251**; D14/250
(58) **Field of Classification Search**
USPC D3/218, 215; D6/675, 656.1, 675.1, 672,
D6/673, 675.4, 553, 676, 310, 300, 682.3,
D6/460; D8/349, 363, 313, 394-396, 72,
D8/74; D12/415, 223, 114, 420, 414,
D12/407, 177; D13/107, 108;
D14/251-253, 447, 451, 452, 440,
D14/432-434, 458, 457, 460, 238.1, 140,
D14/142, 149, 217, 148, 140.8, 140.11,
D14/209.1, 151, 140.9, 250, 238;
D16/242-245, 250, 237, 203, 214, 219;
D21/455, 799.1, 8, 713, 796
CPC H04M 1/02; H04M 1/04; H04M 1/11;
H04M 1/12; A47F 7/022; F16M 11/00;
F16M 11/04; F16M 11/041; F16M 11/02;
F16M 11/06; F16M 13/00; B62J 11/00;
B60R 11/02; H05K 7/00; G03B 17/56
See application file for complete search history.

Adjustable Cell Phone Stand, Jul. 21, 2017 [online], retrieved Nov. 2, 2022, retrieved from the internet: < https://www.amazon.com/Adjustable-OMOTON-Cellphone-Anti-Slip-Convenient/dp/B0744DM3Y3/ref=sr_1_18? > (Year: 2017).*
(Continued)

Primary Examiner — Messina L Smith
Assistant Examiner — Rodolfo Castro, Jr.

(57) **CLAIM**

The ornamental design for a smartphone stand, as shown and described.

DESCRIPTION

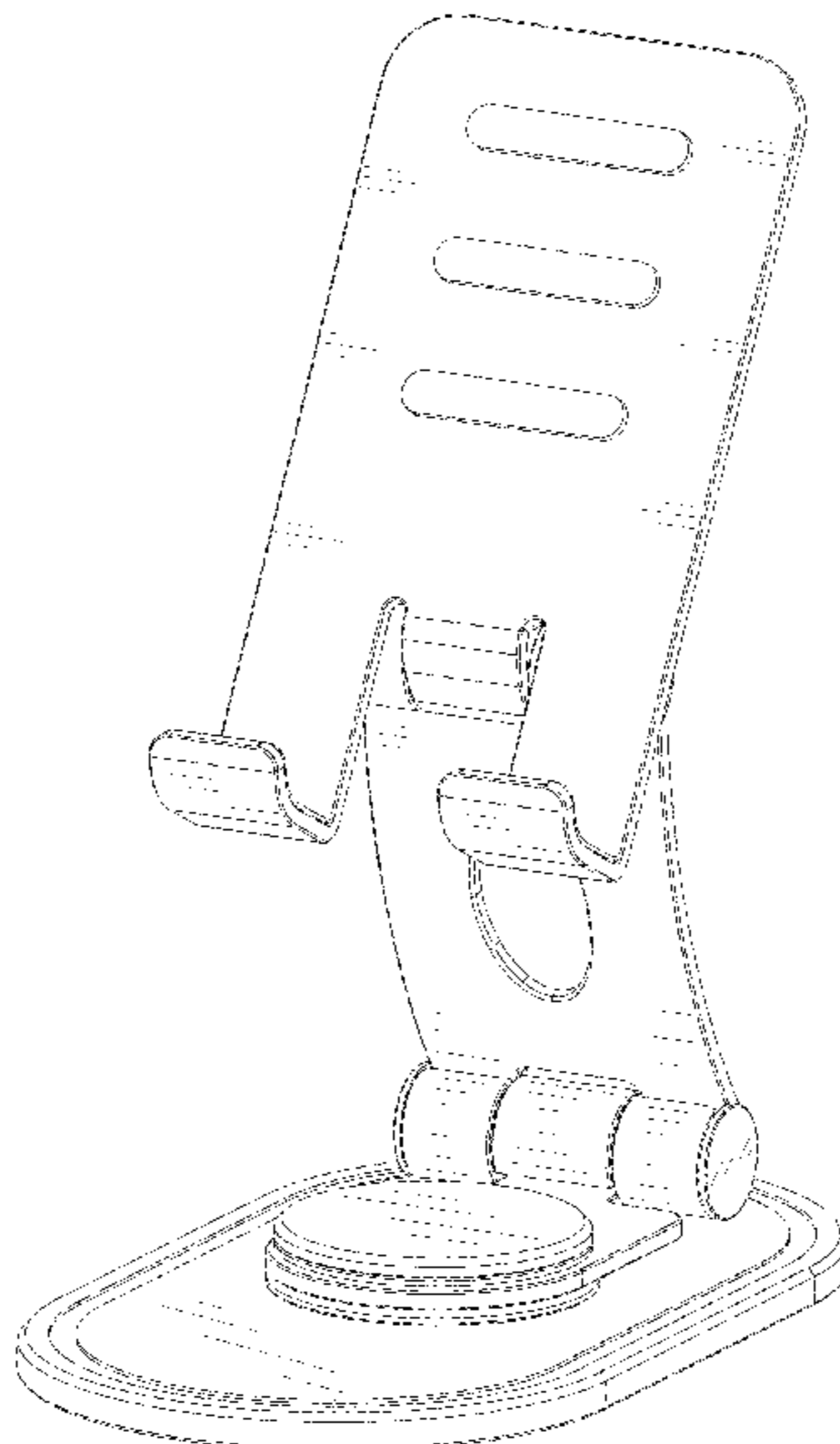
FIG. 1 is a front, top perspective view of a smartphone stand showing my new design;
FIG. 2 is a rear, bottom perspective view thereof;
FIG. 3 is a front elevation view thereof;
FIG. 4 is a rear elevation view thereof;
FIG. 5 is a left side elevation view thereof;
FIG. 6 is a right side elevation view thereof;
FIG. 7 is a top plan view thereof;
FIG. 8 is a bottom plan view thereof; and,
FIG. 9 is a front and top perspective view thereof, showing the foldable part in a closed position.
The broken lines in the figures depict portions of the smartphone stand that form no part of the claimed design.

(56) **References Cited**

U.S. PATENT DOCUMENTS

D756,367 S * 5/2016 Kim D14/447
D789,348 S * 6/2017 Kim D14/251
D884,711 S * 5/2020 Zhang D14/447
D902,217 S * 11/2020 Zhang D14/447
D904,387 S * 12/2020 Zhang D14/447
D905,686 S * 12/2020 Zhang D14/253

1 Claim, 9 Drawing Sheets



(56)

References Cited

U.S. PATENT DOCUMENTS

D944,806 S * 3/2022 Zhang D14/251
D956,768 S * 7/2022 Chen D14/447

FOREIGN PATENT DOCUMENTS

EM 008303663-0002 * 12/2020
EM 008311005-0001 * 12/2020
EM 008401509-0001 * 1/2021
EM 008401855-0001 * 1/2021
EM 008509350-0002 * 4/2021
KR 302020000691 * 5/2020

OTHER PUBLICATIONS

Colorlizard Cell Phone Stand, Aug. 6, 2022 [online], retrieved Nov. 2, 2022, retrieved from the internet: < https://www.amazon.com/dp/B09HHFVL2W/ref=sspa_dk_detail_0? > (Year: 2022).*

IPad Stand for Desk, Omoton Swivel Tablet Stand, Jun. 29, 2021 [online], retrieved Nov. 2, 2022, retrieved from the internet: < https://www.amazon.com/dp/B0986ZLDCS/ref=sspa_dk_detail_3? > (Year: 2021).*

* cited by examiner

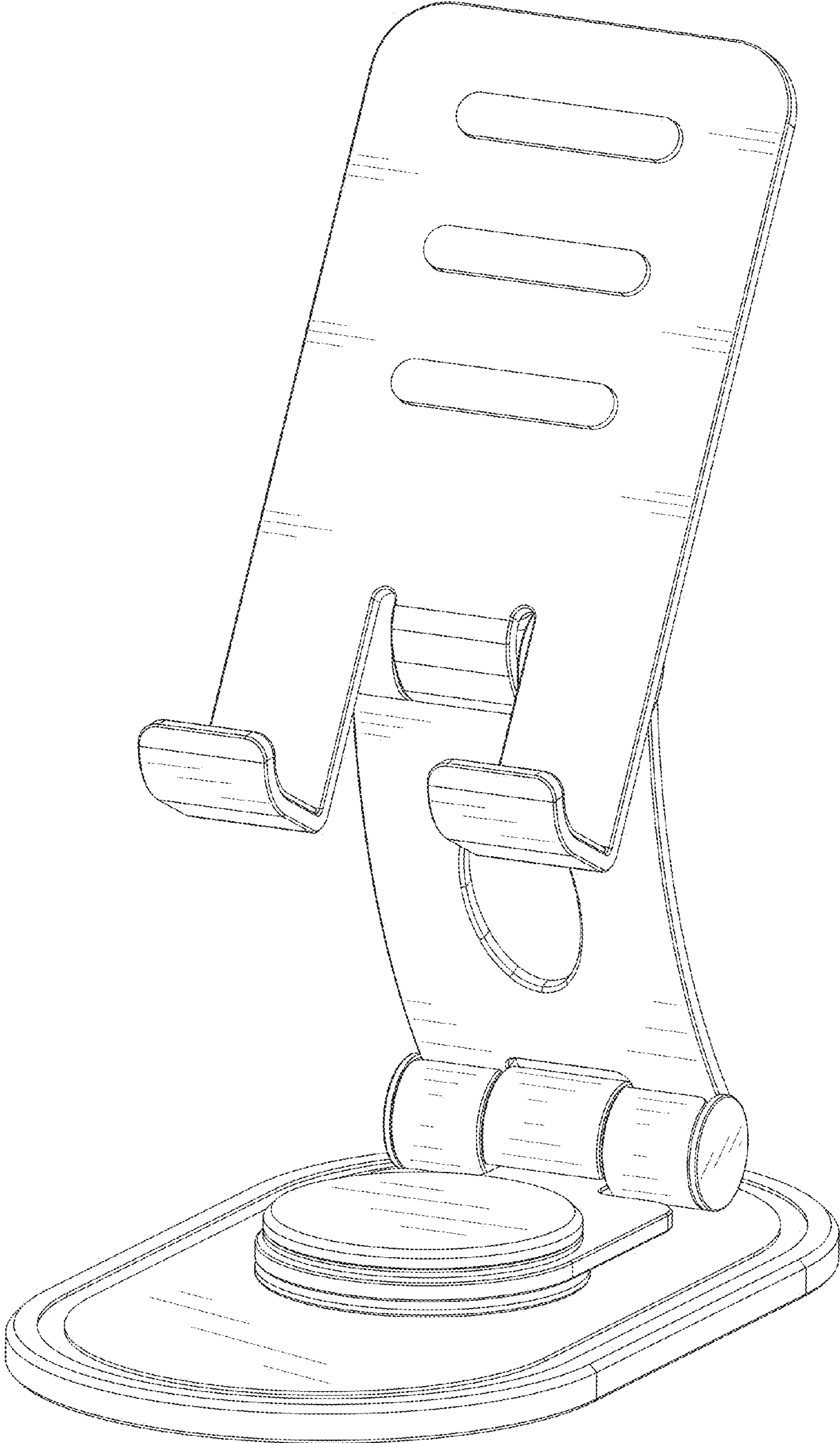


FIG. 1

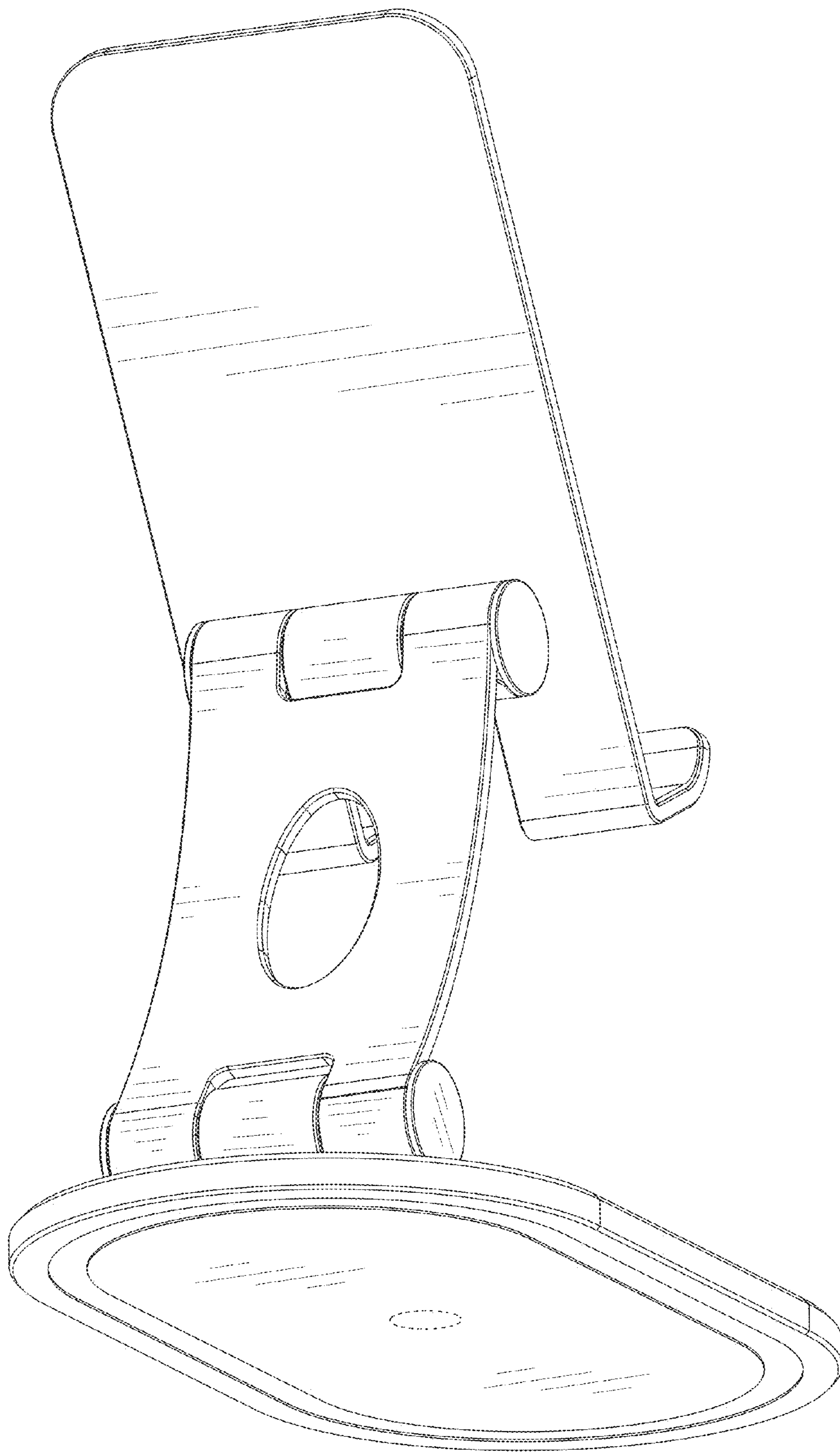


FIG. 2

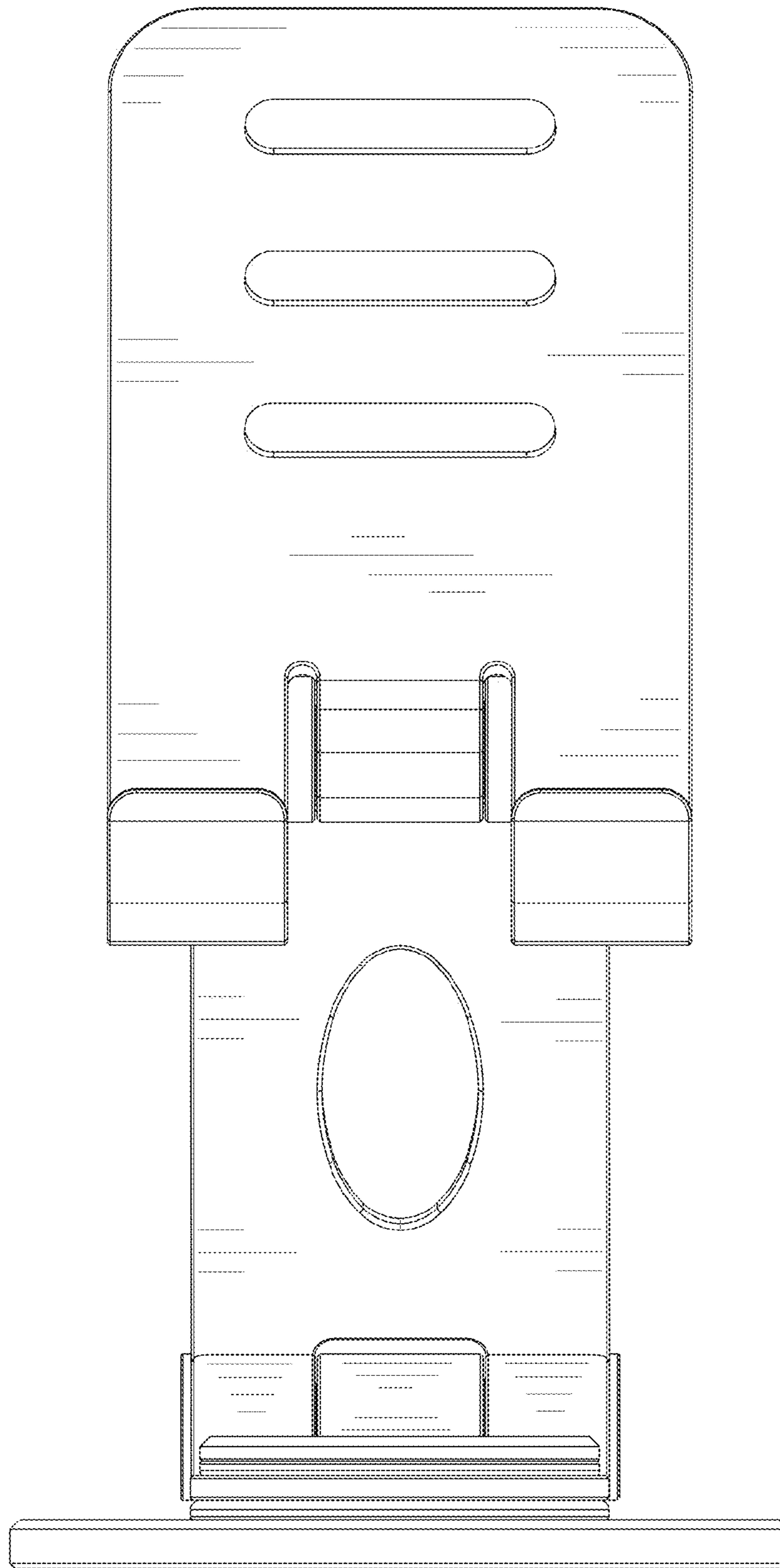


FIG. 3

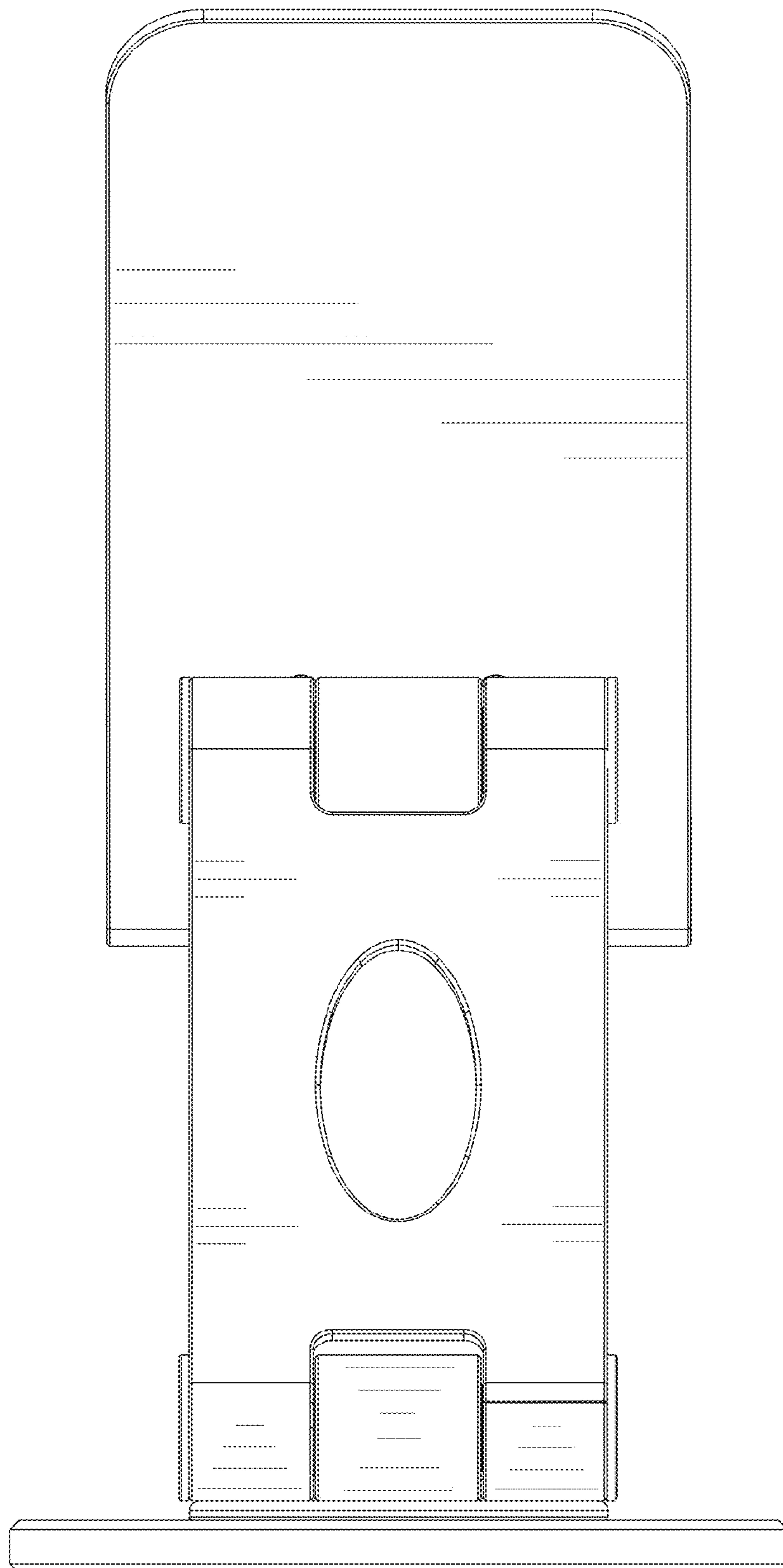


FIG. 4

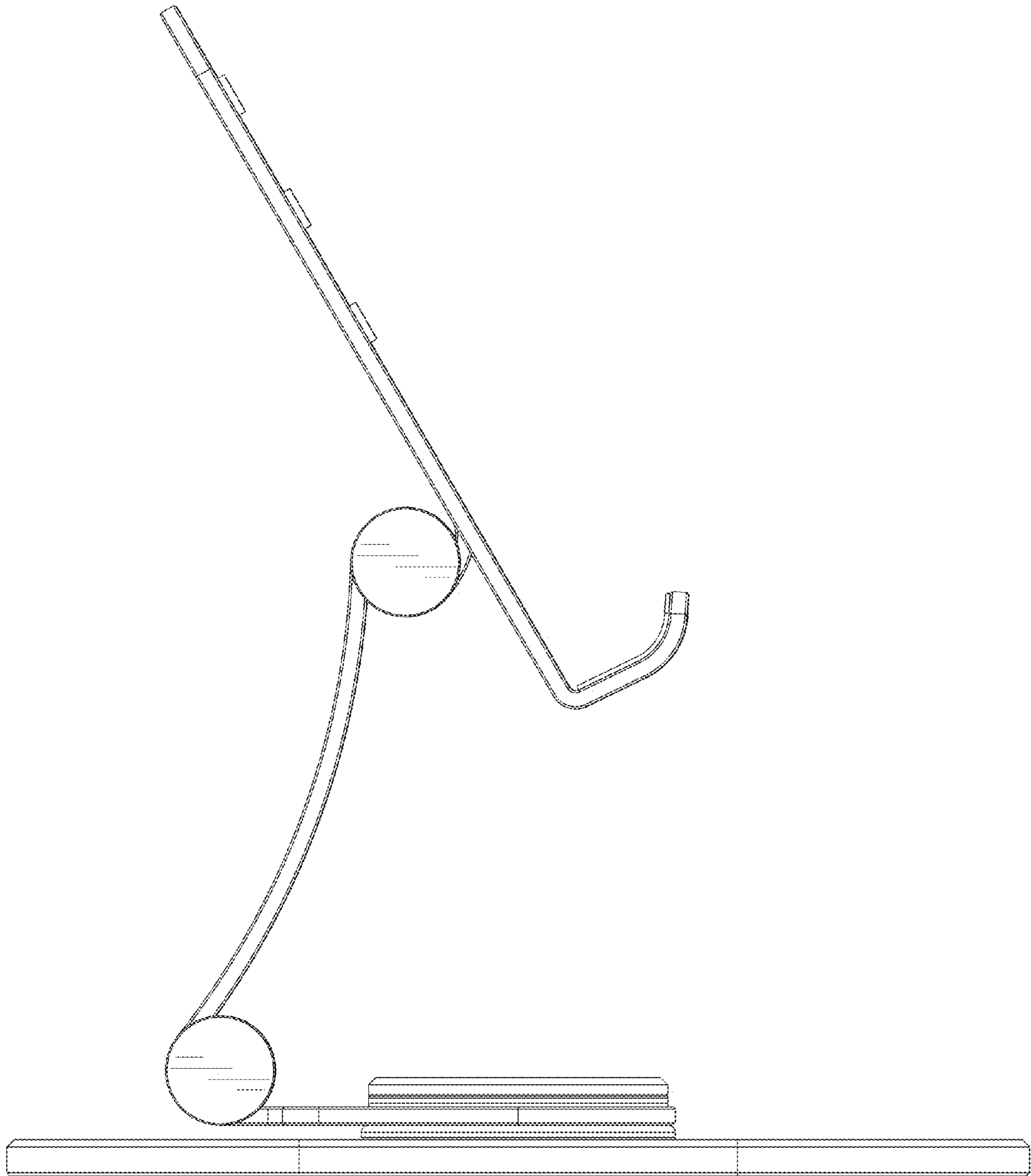


FIG. 5

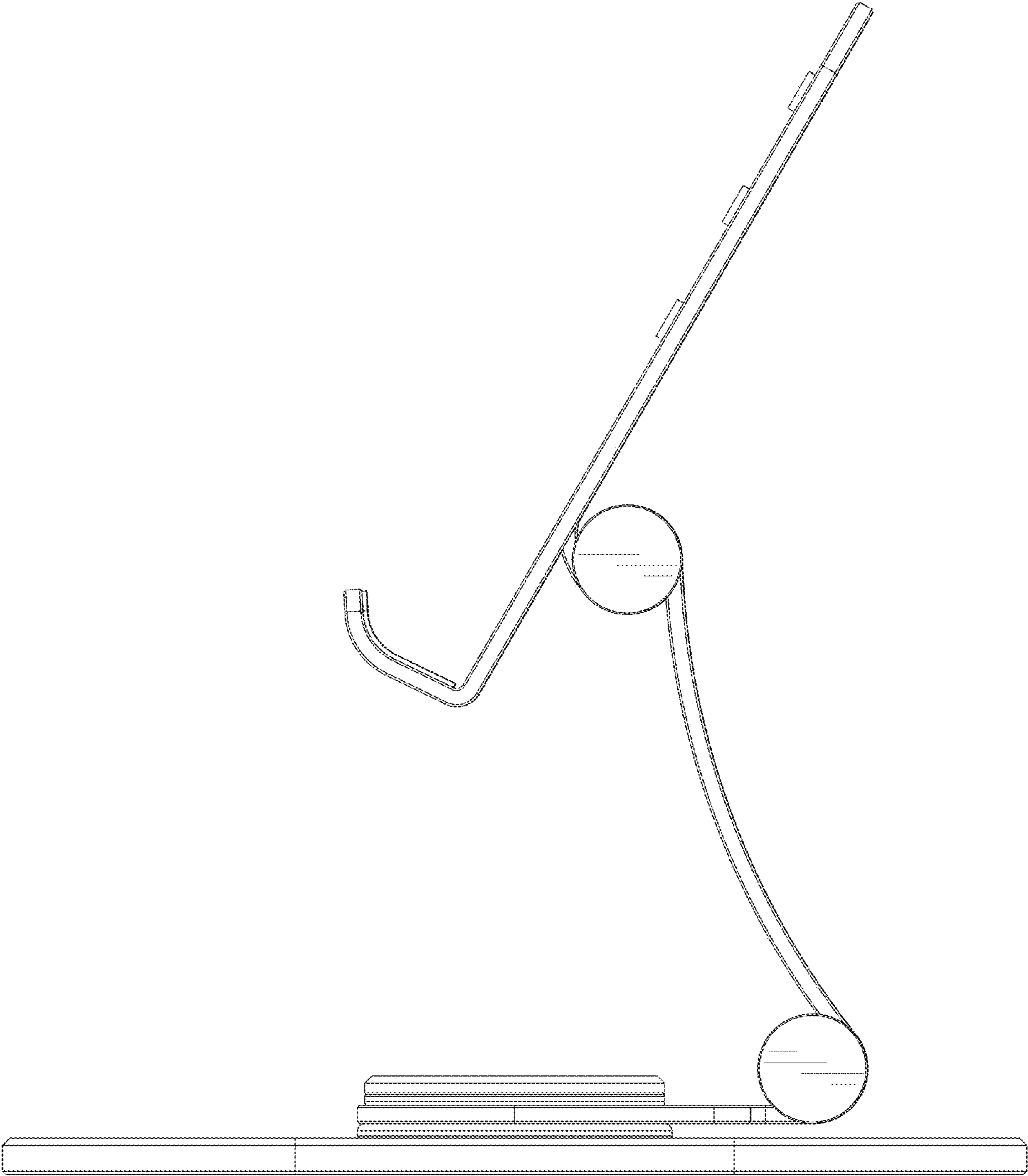


FIG. 6

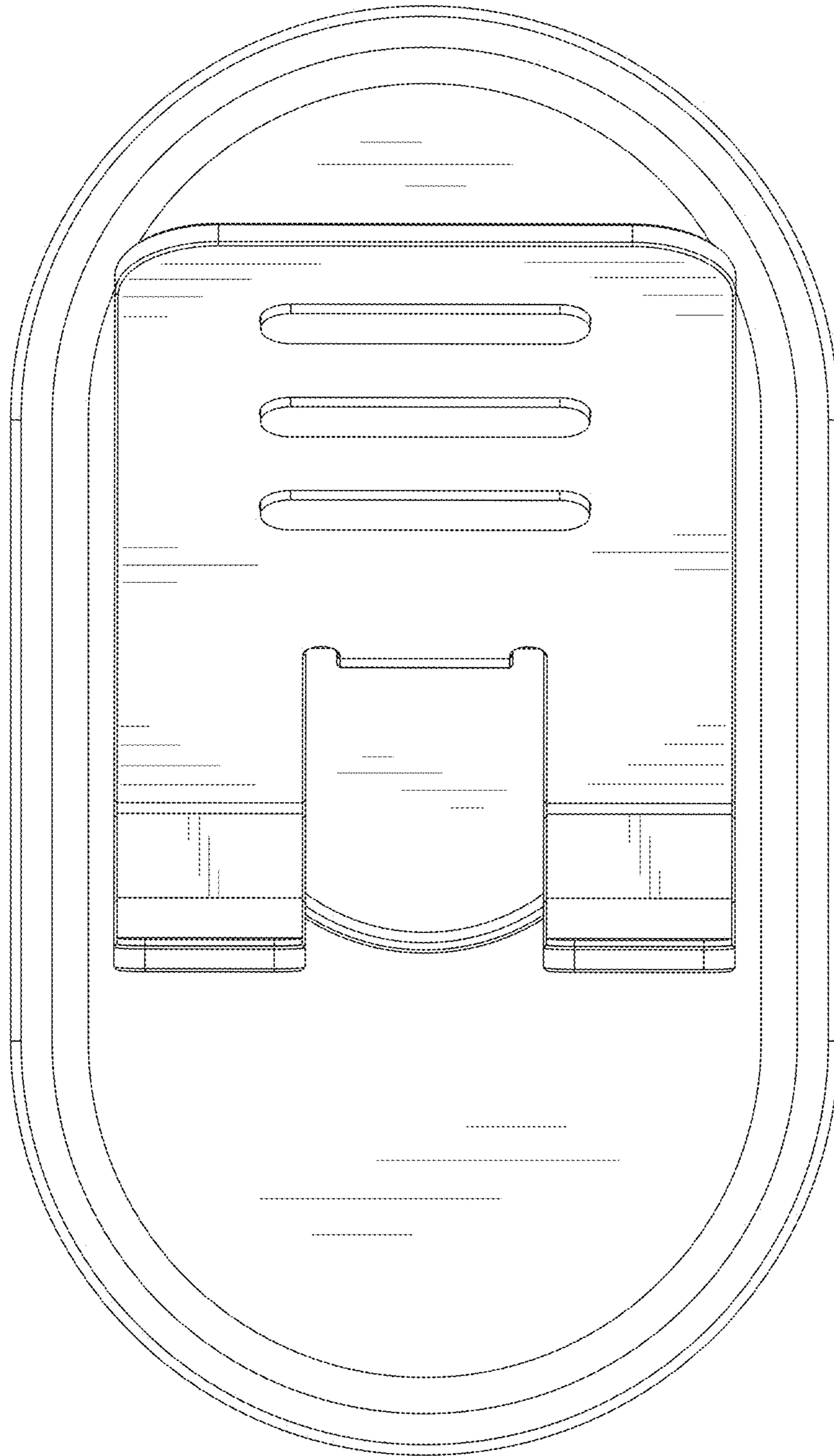


FIG. 7

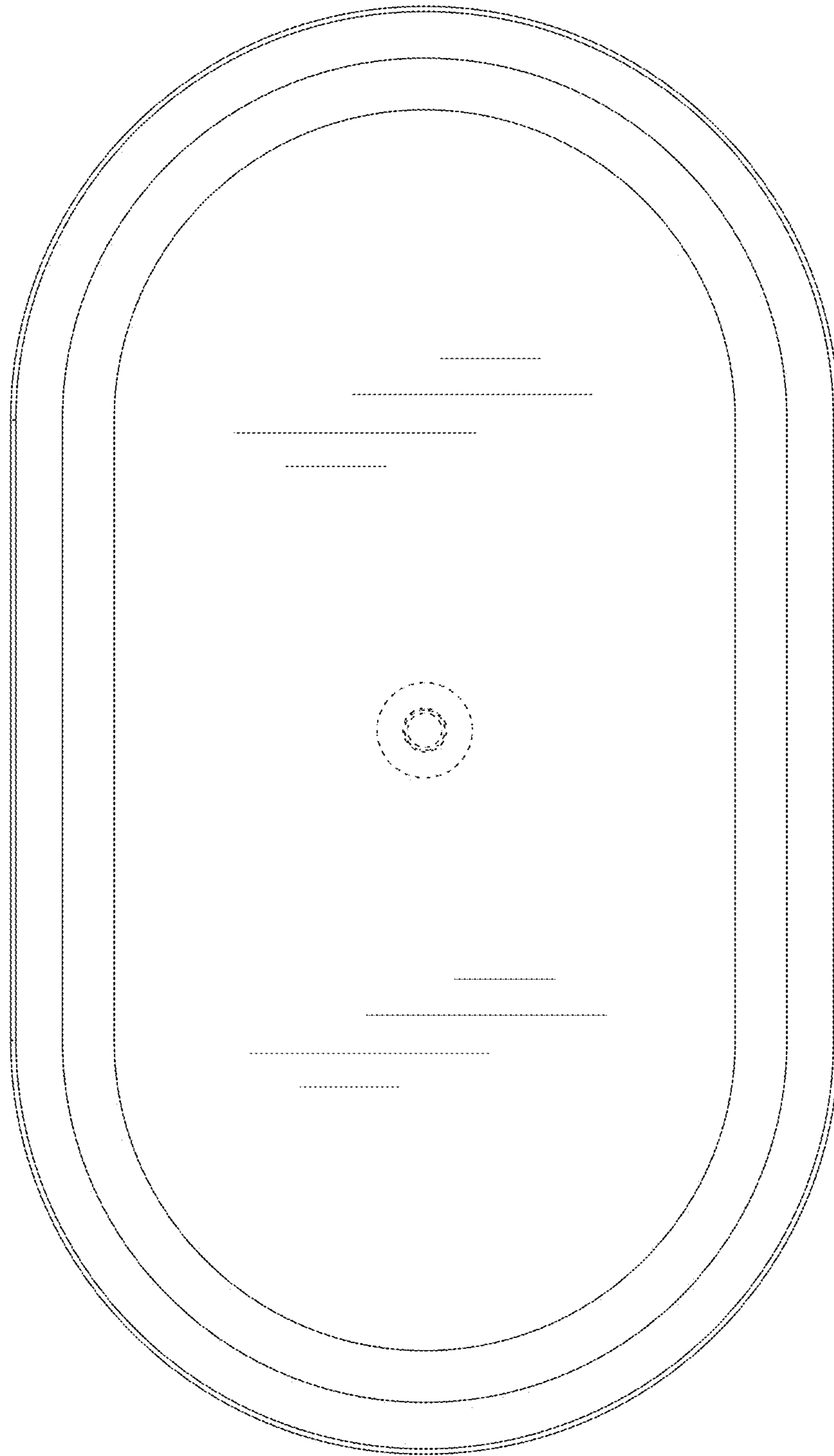


FIG. 8

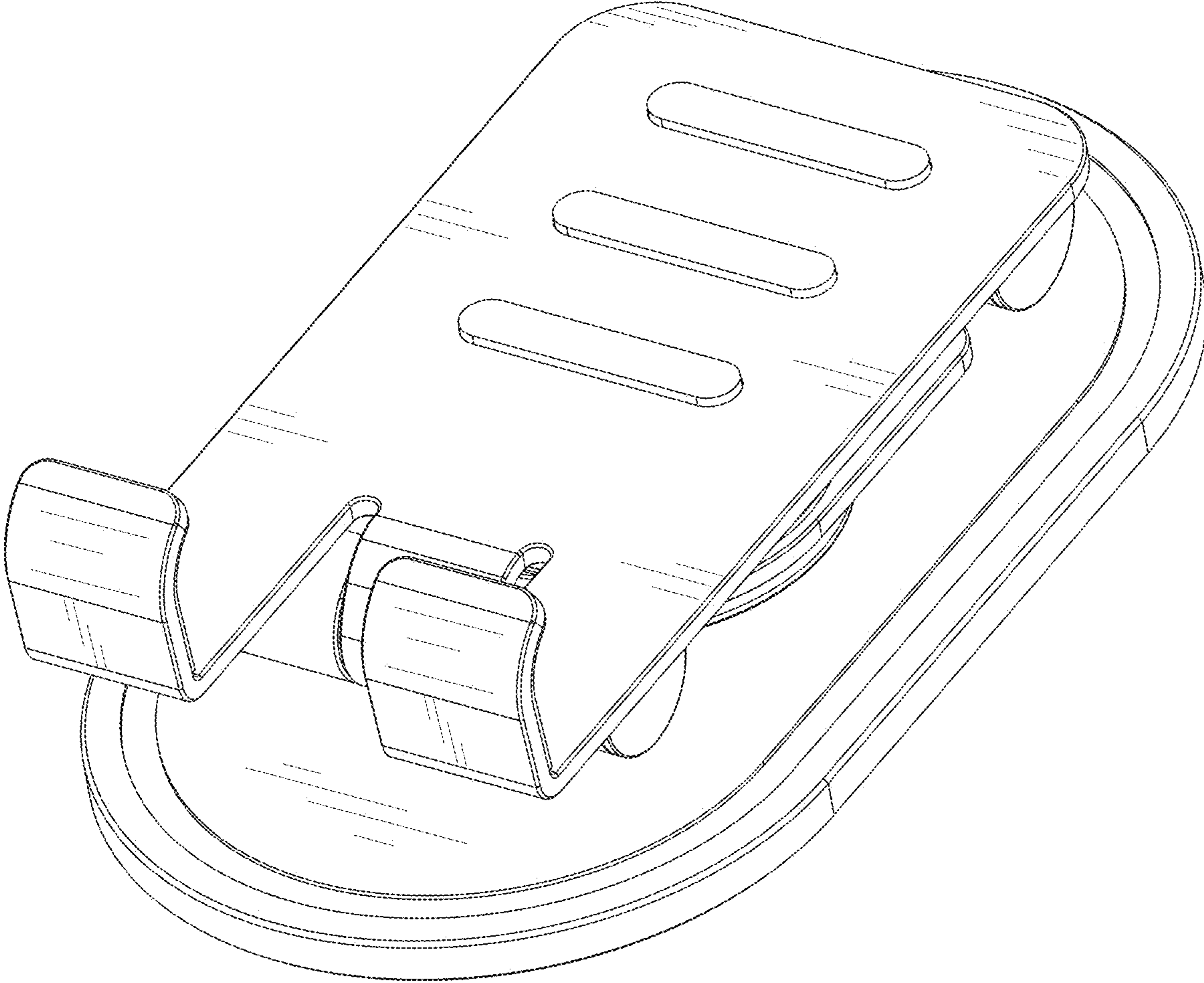


FIG. 9